



ENERG



TCL

75T8B



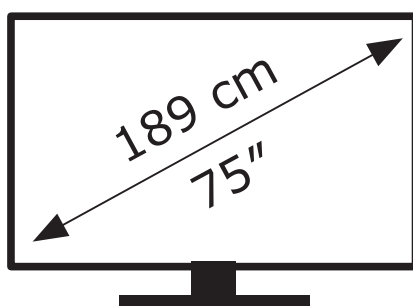
120 kWh/1000h

ABCDEF**G**



221 kWh/1000h

3840 px



2160 px