



# ENERG



TCL

55T8B



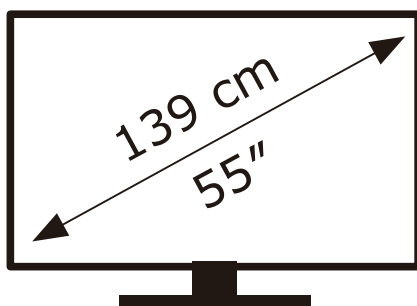
**64** kWh/1000h

ABCDEF**G**



**160** kWh/1000h

3840 px



2160 px