

SONY®

Television

Reference Guide	GB
Guide de référence	FR
Guía de referencia	ES
Referentiehandleiding	NL
Referenzleitfaden	DE
Guia de referência	PT
Guida di riferimento	IT
Referensguide	SE
Referencevejledning	DK
Viiteopas	FI
Referanseveiledning	NO
Instrukcja	PL
Referenční příručka	CZ
Referenčná príručka	SK
Referencia útmutató	HU
Ghid de referință	RO
Справочно ръководство	BG
Οδηγό Αναφοράς	GR
Başvuru Kılavuzu	TR
Справочное руководство	RU
Довідник	UA

BRAVIA

KDL-50W82xB / 50W81xB / 50W80xB / 50W70xB / 42W82xB / 42W81xB /
KDL-42W80xB / 42W70xB / 32W70xB

Table of Contents

NOTICE FOR CUSTOMERS IN THE UNITED KINGDOM	2
IMPORTANT NOTICE	3
Safety information	3
Precautions	5
Installing the TV to the Wall	7
Installing the Brackets on the wall	8
Preparing for the installation of the TV ...	11
Installing the TV on the wall	12
Troubleshooting	14
Troubles and Solutions	14
Specifications	15

Introduction

Thank you for choosing this Sony product. Before operating the TV, please read this manual thoroughly and retain it for future reference.

Note

- Before operating the TV, please read "Safety information" (page 3).
- Instructions about "Installing the TV to the wall" are included within this TV's instructions manual.
- Images and illustrations used in Quick Start Guide and this manual are for reference only and may differ from actual product appearance.

Location of the identification label

Labels for the TV Model No., Production Date (month/year) and Power Supply rating are located on the rear of the TV or package. Labels for mains adaptor Model No. and Serial No. are located on the bottom of mains adaptor.

WARNING

TO PREVENT THE SPREAD OF FIRE, KEEP CANDLES OR OTHER OPEN FLAMES AWAY FROM THIS PRODUCT AT ALL TIMES.

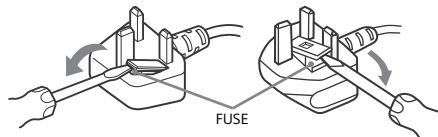


NOTICE FOR CUSTOMERS IN THE UNITED KINGDOM

A moulded plug complying with BS1363 is fitted to this equipment for your safety and convenience.

Should the fuse in the plug supplied need to be replaced with the same rating of fuse approved by ASTA or BSI to BS 1362 (i.e., marked with ⚡ or ⚡) must be used.

If the plug supplied with this equipment has a detachable fuse cover, be sure to attach the fuse cover after you change the fuse. Never use the plug without the fuse cover. If you should lose the fuse cover, please contact your nearest Sony service station.



How to replace the fuse

Open the fuse compartment with a blade screwdriver, and replace the fuse.

Please refer to the illustration that actually equipped with the product.

IMPORTANT NOTICE

This product has been manufactured by or on behalf of Sony Corporation, 1-7-1 Konan Minato-ku Tokyo, 108-0075 Japan. Inquiries related to product compliance based on European Union legislation shall be addressed to the authorized representative, Sony Deutschland GmbH, Hedelfinger Strasse 61, 70327 Stuttgart, Germany. For any service or guarantee matters, please refer to the addresses provided in the separate service or guarantee documents.

Notice for Wireless Signal

Hereby, Sony Corporation declares that this unit is in compliance with the essential requirements and other relevant provisions of Directive 1999/5/EC. For details, please access the following URL: <http://www.compliance.sony.de/>

Notice for customers: the following information is only applicable to equipment sold in countries applying EU directives.

TV wireless system may be operated in following countries:

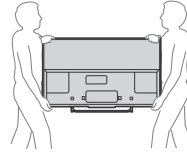
AT, BE, HR, CY, CZ, DK, EE, FI, FR, DE, GR, HU, IE, IT, LV, LT, LU, MT, NL, PL, PT, SK, SI, ES, SE, GB, IS, LI, NO, CH, BG, RO, TR, AL, BA, MK, MD, RS, ME

This equipment can be operated in other non-European countries.



Transporting

- Before transporting the TV set, disconnect all cables.
- Two or three people are needed to transport a large TV set.
- When transporting the TV set by hand, hold it as shown below. Do not put stress on the LCD panel and the frame around the screen.



- When transporting the TV set, do not subject it to jolts or excessive vibration.
- When transporting the TV set for repairs or when moving, pack it using the original carton and packing material.

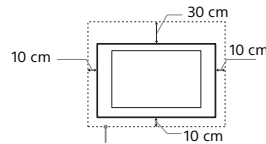
Topple prevention

- Before install the machine screw, lay the display face down on a stable work surface that is larger than the TV.
- To prevent damaging the surface of the LCD display, make sure to place a soft cloth on the work surface.

Ventilation

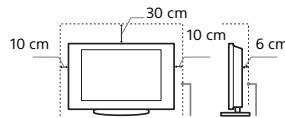
- Never cover the ventilation holes or insert anything in the cabinet.
- Leave space around the TV set as shown below.
- It is strongly recommended that you use a Sony Wall-Mount Bracket in order to provide adequate air-circulation.

Installed on the wall



Leave at least this space around the set.

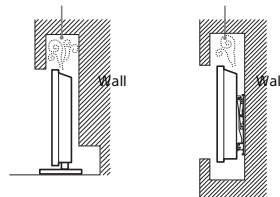
Installed with stand



Leave at least this space around the set.

- To ensure proper ventilation and prevent the collection of dirt or dust:
 - Do not lay the TV set flat, install upside down, backwards, or sideways.
 - Do not place the TV set on a shelf, rug, bed or in a closet.
 - Do not cover the TV set with a cloth, such as curtains, or items such as newspapers, etc.
 - Do not install the TV set as shown below.

Air circulation is blocked.



Safety information

WARNING

Batteries must not be exposed to excessive heat such as sunshine, fire or the like.

Installation/Set-up

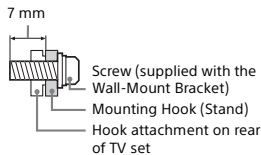
Install and use the TV set in accordance with the instructions below in order to avoid any risk of fire, electrical shock or damage and/or injuries.

Installation

- The TV set should be installed near an easily accessible mains socket.
- Place the TV set on a stable, level surface to avoid it from falling down and cause personal injury or damage to the TV.
- Only qualified service personnel should carry out wall installations.
- For safety reasons, it is strongly recommended that you use Sony accessories, including:
 - Wall-Mount Bracket
- Be sure to use the screws supplied with the Wall-Mount Bracket when attaching the Mounting Hooks (Stand) to the TV set. The supplied screws are designed as indicated by illustration when measured from the attaching surface of the Mounting Hook (Stand).

The diameter and length of the screws differ depending on the Wall-Mount Bracket model.

Use of screws other than those supplied may result in internal damage to the TV set or cause it to fall, etc.



Mains lead

Handle the mains lead and socket as follows in order to avoid any risk of fire, electrical shock or damage and/or injuries:

- Use only mains leads supplied by Sony, not other suppliers.
- Insert the plug fully into the mains socket.
- Operate the TV set on a 220-240 V AC supply only.
- When wiring cables, be sure to unplug the mains lead for your safety and take care not to catch your feet on the cables.
- Disconnect the mains lead from the mains socket before working on or moving the TV set.
- Keep the mains lead away from heat sources.
- Unplug the mains plug and clean it regularly. If the plug is covered with dust and it picks up moisture, its insulation may deteriorate, which could result in a fire.

Note

- Do not use the supplied mains lead on any other equipment.
- Do not pinch, bend, or twist the mains lead excessively. The core conductors may be exposed or broken.
- Do not modify the mains lead.
- Do not put anything heavy on the mains lead.
- Do not pull on the mains lead itself when disconnecting the mains lead.
- Do not connect too many appliances to the same mains socket.
- Do not use a poor fitting mains socket.

NOTE ON MAINS ADAPTOR

Warning

To reduce the risk of fire or electric shock, do not expose this apparatus to rain or moisture.

To prevent fire or shock hazard, do not place objects filled with liquids, such as vases, on the apparatus. Do not install this equipment in a confined space, such as a bookshelf or similar unit.

- Please ensure that the mains socket is installed near the equipment and shall be easily accessible.
- Be sure to use the supplied mains adaptor and mains lead.
- Do not use any other mains adaptor. It may cause a malfunction.
- Connect the mains adaptor to an easily accessible mains socket.
- Do not coil the mains lead around the mains adaptor. The core wire may be cut and/or it may cause a malfunction of the media receiver.



- Do not touch the mains adaptor with wet hands.
- If you notice an abnormality in the mains adaptor, disconnect it from the mains socket immediately.
- The set is not disconnected from the mains source as long as it is connected to the mains socket, even if the set itself has been turned off.
- As the mains adaptor will become warm when it is used for a long time, you may feel hot when touching it by hand.

Prohibited Usage

Do not install/use the TV set in locations, environments or situations such as those listed below, or the TV set may malfunction and cause a fire, electrical shock, damage and/or injuries.

Location:

- Outdoors (in direct sunlight), at the seashore, on a ship or other vessel, inside a vehicle, in medical institutions, unstable locations, near water, rain, moisture or smoke.
- If the TV is placed in the changing room of a public bath or hot spring, the TV may be damaged by airborne sulphur, etc.



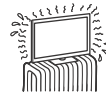
- For best picture quality, do not expose the screen to direct illumination or sunlight.
- Avoid moving the TV from a cold area to a warm area. Sudden room temperature changes may cause moisture condensation. This may cause the TV to show poor picture and/or poor colour. Should this occur, allow moisture to evaporate completely before powering the TV on.

Environment:

- Places that are hot, humid, or excessively dusty; where insects may enter; where it might be exposed to mechanical vibration, near flammable objects (candles, etc.). The TV set shall not be exposed to dripping or splashing and no objects filled with liquids, such as vases, shall be placed on the TV.
- Do not place the TV in a humid or dusty space, or in a room with oily smoke or steam (near cooking tables or humidifiers). Fire, electric shock, or warping may result.



- Do not install the TV in places subject to extreme temperature such as in direct sunlight, near a radiator or a heating vent. The TV may overheat in such condition which can cause deformation of the enclosure and/or TV malfunction.



Situation:

- Do not use when your hands are wet, with the cabinet removed, or with attachments not recommended by the manufacturer. Disconnect the TV set from mains socket and aerial during lightning storms.
- Do not install the TV so that it sticks out into an open space. Injury or damage from a person or object bumping into the TV may result.



Broken pieces:

- Do not throw anything at the TV set. The screen glass may break by the impact and cause serious injury.
- If the surface of the TV set cracks, do not touch it until you have unplugged the mains lead. Otherwise electric shock may result.

When not in use

- If you will not be using the TV set for several days, the TV set should be disconnected from the mains for environmental and safety reasons.
- As the TV set is not disconnected from the mains when the TV set is just turned off, pull the plug from the mains to disconnect the TV set completely.
- However, some TV sets may have features that require the TV set to be left in standby to work correctly.

For children

- Do not allow children to climb on the TV set.
- Keep small accessories out of the reach of children, so that they are not mistakenly swallowed.

If the following problems occur...

Turn off the TV set and unplug the mains lead immediately if any of the following problems occur.

Ask your dealer or Sony service centre to have it checked by qualified service personnel.

When:

- Mains lead is damaged.
- Poor fitting of mains socket.
- TV set is damaged by being dropped, hit or having something thrown at it.
- Any liquid or solid object falls through openings in the cabinet.

About LCD Monitor Temperature

When the LCD Monitor is used for an extended period, the panel surrounds become warm. You may feel hot when touching there by the hand.

WALL-MOUNT BRACKET

Below information shows the correct handling of the Wall-Mount Bracket. Be sure to read this information thoroughly and use the Wall-Mount Bracket correctly.

To Customers:

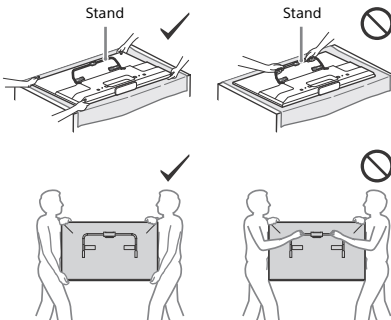
Be sure to observe the following precautions for safety to prevent a serious injury through fire, electric shock, the product toppling over, or the product dropping.

- Be sure to subcontract the installation to licensed contractors and keep small children away during installation.
- Be sure to subcontract moving or dismounting of the TV to licensed contractors.
- Do not remove screws, etc., after mounting the TV.
- Do not make alterations to the parts of the Wall-Mount Bracket.
- Do not mount any equipment other than the specified product.
- Do not apply any load other than the TV on the Wall-Mount Bracket.
- Do not lean on or hang from the TV.
- Do not handle the TV with excessive force during cleaning or maintenance.

To Sony Dealers and Contractors:

The following instructions are for Sony dealers and contractors only. Be sure to read safety precautions described below and pay special attention to safety during the installation, maintenance and checking of this product.

- When handling or mounting the TV set, hold it on the sides. Do not lift the TV by the Stand.



- Do not install the Wall-Mount Bracket on wall surfaces where the corners or the sides of the TV are protruding away from the wall surface.



- Do not install the TV over or under an air conditioner.
- Be sure to install the Wall-Mount Bracket securely to the wall following the instructions in this instruction manual. If any of the screws are loose or fall out, the Wall-Mount Bracket may fall and cause injury or property damage.
- Be sure to use the supplied screws and attachment parts properly following the instructions given in this instruction manual. If you use substitute items, the TV may fall and cause bodily injury to someone or damage to the TV.
- Be sure to assemble the bracket properly following the instructed procedure explained in this instruction manual.
- Be sure to tighten the screws securely in the designated position.
- Be careful not to subject the TV to shock during installation.
- Be sure to install the TV on a wall that is both perpendicular and flat.
- After proper installation of the TV, secure the cables properly.
- Do not allow the mains lead or the connecting cables to be pinched as the internal conductors may become exposed and cause a short circuit or an electrical break.



Precautions

Viewing the TV

- Some people may experience discomfort (such as eye strain, fatigue, or nausea) while watching 3D video images or playing stereoscopic 3D games. Sony recommends that all viewers take regular breaks while watching 3D video images or playing stereoscopic 3D games. The length and frequency of necessary breaks will vary from person to person. You must decide what works best. If you experience any discomfort, you should stop watching the 3D video images or playing stereoscopic 3D games until the discomfort ends; consult a doctor if you believe necessary. You should also review (i) the instruction manual of any other device or media used with this television and (ii) our website (<http://support.sony-europe.com/>) for the latest information. The vision of young children (especially those under six years old) is still under development. Consult your doctor (such as a paediatrician or eye doctor) before allowing young children to watch 3D video images or play stereoscopic 3D games. Adults should supervise young children to ensure they follow the recommendations listed above.
- Do not use, store, or leave the 3D Glasses or battery near fire, or in places with a high temperature, e.g., in direct sunlight, or in sun-heated cars.
- When using the simulated 3D function, please note that the displayed image is modified from the original due to the conversion done by this television.
- View the TV in moderate light, as viewing the TV in poor light or during long period of time, strains your eyes.
- When using headphones, adjust the volume so as to avoid excessive levels, as hearing damage may result.

LCD Screen

- Although the LCD screen is made with high-precision technology and 99.99% or more of the pixels are effective, black dots may appear or bright points of light (red, blue, or green) may appear constantly on the LCD screen. This is a structural property of the LCD screen and is not a malfunction.
- Do not push or scratch the front filter, or place objects on top of this TV set. The image may be uneven or the LCD screen may be damaged.
- If this TV set is used in a cold place, a smear may occur in the picture or the picture may become dark. This does not indicate a failure. These phenomena disappear as the temperature rises.
- Ghosting may occur when still pictures are displayed continuously. It may disappear after a few moments.
- The screen and cabinet get warm when this TV set is in use. This is not a malfunction.
- The LCD screen contains a small amount of liquid crystal. Follow your local ordinances and regulations for disposal.

Handling and cleaning the screen surface/ cabinet of the TV set

Be sure to unplug the mains lead connected to the TV set from mains socket before cleaning.

To avoid material degradation or screen coating degradation, observe the following precautions.

- To remove dust from the screen surface/cabinet, wipe gently with a soft cloth. If dust is persistent, wipe with a soft cloth slightly moistened with a diluted mild detergent solution.
- Never spray water or detergent directly on the TV set. It may drip to the bottom of the screen or exterior parts and enter the TV set, and may cause damage to the TV set.
- Never use any type of abrasive pad, alkaline/acid cleaner, scouring powder, or volatile solvent, such as alcohol, benzene, thinner or insecticide. Using such materials or maintaining prolonged contact with rubber or vinyl materials may result in damage to the screen surface and cabinet material.
- Periodic vacuuming of the ventilation openings is recommended to ensure to proper ventilation.
- When adjusting the angle of the TV set, move it slowly so as to prevent the TV set from moving or slipping off from its table stand.

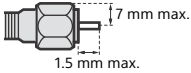


Optional Equipment

- Keep optional components or any equipment emitting electromagnetic radiation away from the TV set. Otherwise picture distortion and/or noisy sound may occur.
- This equipment has been tested and found to comply with the limits set out in the EMC Directive using a connection signal cable shorter than 3 meters.

Recommendation of F-type plug

Projection of the inner wire from the connection part must be less than 1.5 mm.



(Reference drawing of the F type plug)

Caution about handling the remote control

- Observe the correct polarity when inserting batteries.
- Do not use different types of batteries together or mix old and new batteries.
- Dispose of batteries in an environmentally friendly way. Certain regions may regulate the disposal of batteries. Please consult your local authority.
- Handle the remote control with care. Do not drop or step on it, or spill liquid of any kind onto it.
- Do not place the remote control in a location near a heat source, a place subject to direct sunlight, or a damp room.

Wireless Function of the unit

- Do not operate this unit near medical equipment (pacemaker, etc.), as malfunction of the medical equipment may result.
- Although this unit transmits/receives scrambled signals, be careful of unauthorised interception. We cannot be responsible for any trouble as a result.

WALL-MOUNT BRACKET

- If you use the TV installed on the Wall-Mount Bracket for a long time, the wall behind or above the TV may become discoloured or the wallpaper may come unglued, depending on the material of the wall.
- If the Wall-Mount Bracket is removed after installing it on the wall, the screw holes remain.
- Do not use the Wall-Mount Bracket in a place where it is subjected to mechanical vibration.

Disposal of the TV set



Disposal of Old Electrical & Electronic Equipment (Applicable in the European Union and other European countries with separate collection systems)

This symbol on the product or on its packaging indicates that this product shall not be treated as household waste. Instead it shall be handed over to the applicable collection point for the recycling of electrical and electronic equipment. By ensuring this product is disposed of correctly, you will help prevent potential negative consequences for the environment and human health, which could otherwise be caused by inappropriate waste handling of this product. The recycling of materials will help to conserve natural resources. For more detailed information about recycling of this product, please contact your local Civic Office, your household waste disposal service or the shop where you purchased the product.



Disposal of waste batteries (applicable in the European Union and other European countries with separate collection systems)

This symbol on the battery or on the packaging indicates that the battery provided with this product shall not be treated as household waste. On certain batteries this symbol might be used in combination with a chemical symbol. The chemical symbols for mercury (Hg) or lead (Pb) are added if the battery contains more than 0.0005% mercury or 0.004% lead. By ensuring these batteries are disposed of correctly, you will help prevent potentially negative consequences for the environment and human health which could otherwise be caused by inappropriate waste handling of the battery. The recycling of the materials will help to conserve natural resources. In case of products that for safety, performance or data integrity reasons require a permanent connection with an incorporated battery, this battery should be replaced by qualified service staff only. To ensure that the battery will be treated properly, hand over the product at end-of-life to the applicable collection point for the recycling of electrical and electronic equipment. For all other batteries, please view the section on how to remove the battery from the product safely. Hand the battery over to the applicable collection point for the recycling of waste batteries. For more detailed information about recycling of this product or battery, please contact your local Civic Office, your household waste disposal service or the shop where you purchased the product.

Installing the TV to the Wall

To Customers

Sufficient expertise is required for installing this product. Be sure to subcontract the installation to Sony dealers or licensed contractors and pay special attention to safety during the installation. Sony is not liable for any damages or injury caused by mishandling or improper installation, or installing any other than the specified product. Your Statutory Rights (if any) are not affected.

To Sony Dealers and Contractors

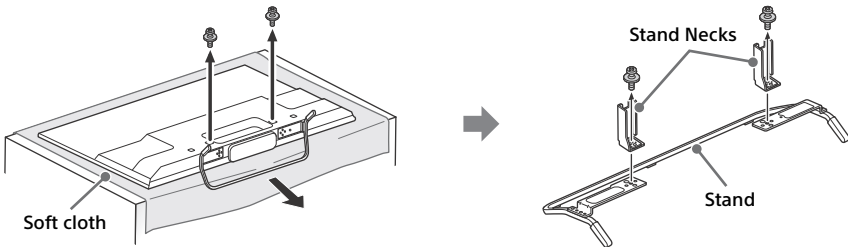
Sufficient expertise is required for installing this product. Be sure to read this instruction manual thoroughly to do the installation work safely. Sony is not liable for any damages or injury caused by mishandling or improper installation.

Your TV's Table-Top Stand will be used as a part of the Wall-Mount Bracket.

Note

- See page 3 (Safety information) and page 5 (Precautions) on WALL-MOUNT BRACKET before carrying out Wall-Mount Bracket installation.
- If the Table-Top Stand is attached to the TV, detach the Table-Top Stand beforehand.
- Place the TV with its screen facing down on a flat and stable surface covered with a thick and soft cloth that is larger than the TV, when securing the Stand or when removing the Table-Top Stand from the TV to prevent damaging the surface of the LCD display.
- Once the Stand Necks are detached from the Stand, be sure to keep the Stand Necks and screws in a safe place.
- When attaching the Table-Top Stand again, be sure to fasten the screws (previously removed) to the original holes on the rear of the TV.
- Be sure the TV is on the vertical position before switching on. TV set must not powered on with LCD panel face down to avoid uneven picture uniformity.

To detach the Table-Top Stand from the TV

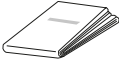


Installing the Brackets on the wall

1 Prepare necessary items.

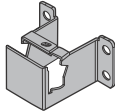
Wall-Mount Bracket accessories (supplied)

A Paper Template



B Wall-Mount Base

KDL-50W82xB,
KDL-50W81xB,
KDL-50W80xB,
KDL-50W70xB (2)
KDL-42W82xB,
KDL-42W81xB,
KDL-42W80xB,
KDL-42/32W70xB (1)



C Stand Protector

KDL-50W82xB,
KDL-50W81xB,
KDL-50W80xB,
KDL-50W70xB (2)
KDL-42W82xB,
KDL-42W81xB,
KDL-42W80xB,
KDL-42/32W70xB (1)



D Screw
(+PSW 6 x 12) (2)



E Spacer (2)



F Bracket Cap Plate

KDL-50W82xB,
KDL-50W81xB,
KDL-50W80xB,
KDL-50W70xB (2)
KDL-42W82xB,
KDL-42W81xB,
KDL-42W80xB,
KDL-42/32W70xB (1)



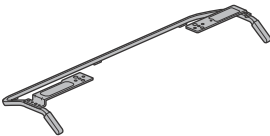
G Screw (+PSW 4 x 10)

KDL-50W82xB,
KDL-50W81xB,
KDL-50W80xB,
KDL-50W70xB (2)
KDL-42W82xB,
KDL-42W81xB,
KDL-42W80xB,
KDL-42/32W70xB (1)



Stand (supplied)

H

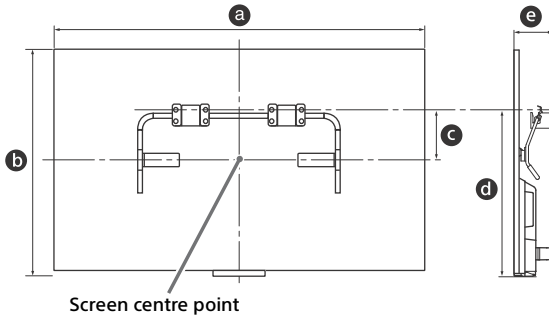


Screws for Wall-Mount Base (8 mm in diameter, not supplied)

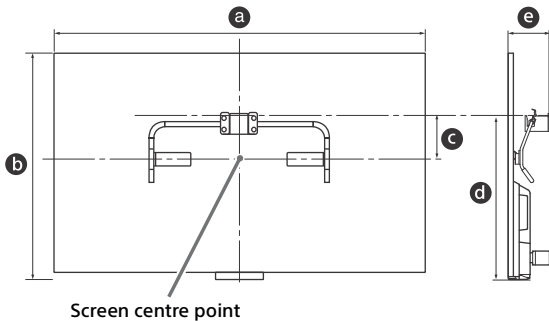
KDL-50W82xB,
KDL-50W81xB,
KDL-50W80xB,
KDL-50W70xB (8)
KDL-42W82xB,
KDL-42W81xB,
KDL-42W80xB,
KDL-42/32W70xB (4)

- 2 Make sure that the wall has enough space and is capable of supporting a weight of at least four times that of the TV.
Refer to the following table on installing the TV to the wall. See page 15-17 (Specifications) for the TV's weight.

KDL-50W82xB, KDL-50W81xB, KDL-50W80xB, KDL-50W70xB



KDL-42W82xB, KDL-42W81xB, KDL-42W80xB, KDL-42/32W70xB



Unit: cm

Model Name	Display dimensions		Screen centre dimension	Length for mounting	
	a	b	c	d	e
KDL- 50W82xB/ 50W81xB/ 50W80xB/ 50W70xB	111.6	65.6	13.0	46.9	11.8
42W82xB/ 42W81xB/ 42W80xB/ 42W70xB	95.8	56.3	17.5	46.5	11.8
32W70xB	72.9	43.3	18.8	41.3	11.3

Note

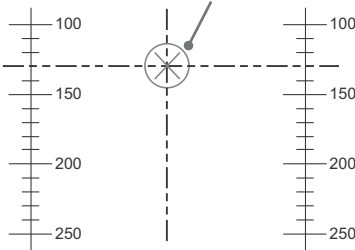
- Figures in the table may differ slightly depending on the installation.

3 Make a mark on the Paper Template **(A)** that indicates the centre of the screen for your TV.

**KDL-50W82xB, KDL-50W81xB,
KDL-50W80xB, KDL-50W70xB**

Scale on Paper Template **(A)**

Mark for KDL-50W82xB, KDL-50W81xB,
KDL-50W80xB, KDL-50W70xB

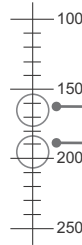


**KDL-42W82xB, KDL-42W81xB,
KDL-42W80xB, KDL-42/32W70xB**

Scale on Paper Template **(A)**

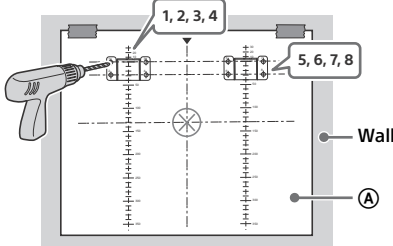
Mark for KDL-42W82xB,
KDL-42W81xB, KDL-42W80xB,
KDL-42W70xB

Mark for KDL-32W70xB

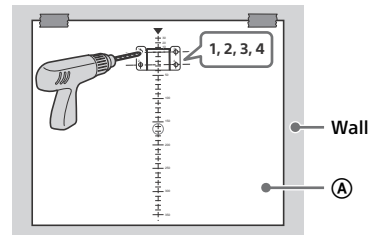


4 Tape the Paper Template **(A)** to the wall and drill holes according to the numbering on the Paper Template **(A)** using an electric drill.

**KDL-50W82xB, KDL-50W81xB,
KDL-50W80xB, KDL-50W70xB**



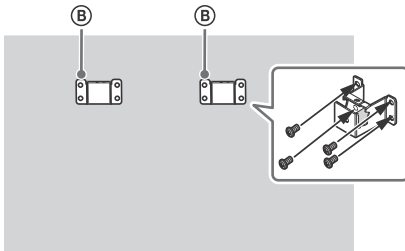
**KDL-42W82xB, KDL-42W81xB,
KDL-42W80xB, KDL-42/32W70xB**



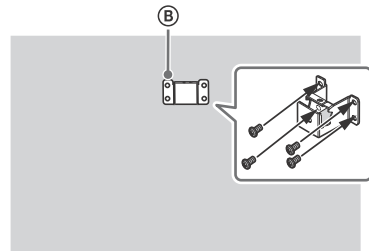
5 Remove the Paper Template **(A)** off from the wall.

6 Attach the Wall-Mount Base **(B)** to the wall correctly using the screws (8 mm in diameter, not supplied).

**KDL-50W82xB, KDL-50W81xB,
KDL-50W80xB, KDL-50W70xB**

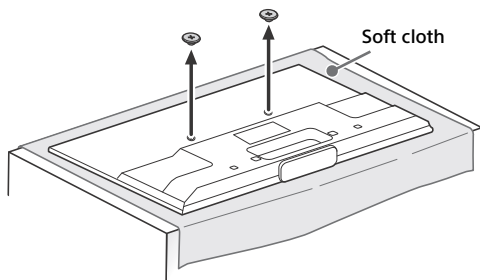


**KDL-42W82xB, KDL-42W81xB,
KDL-42W80xB, KDL-42/32W70xB**



Preparing for the installation of the TV

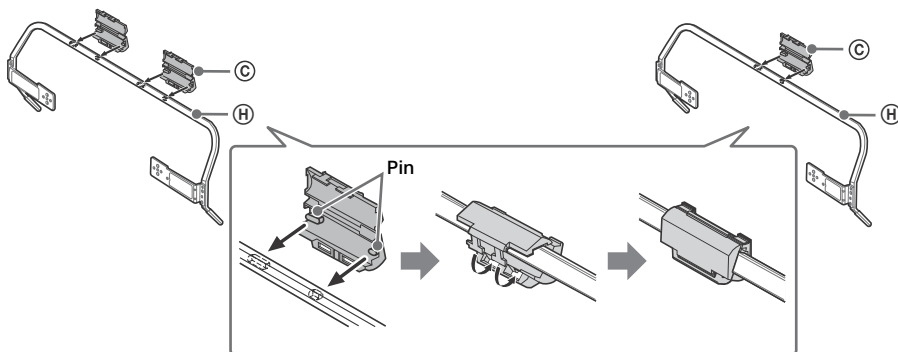
- 1 Remove screws from the rear of the TV. Be sure to store the removed screws in a safe place, keeping them away from children.



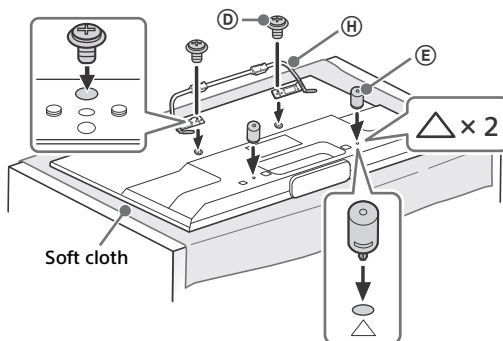
- 2 Insert the pin (on the Stand Protector ©) into the hole on the Stand ®, then fold up the Stand Protector ©. Confirm the Stand Protector © is firmly latched to the Stand ®.

KDL-50W82xB, KDL-50W81xB,
KDL-50W80xB, KDL-50W70xB

KDL-42W82xB, KDL-42W81xB,
KDL-42W80xB, KDL-42/32W70xB

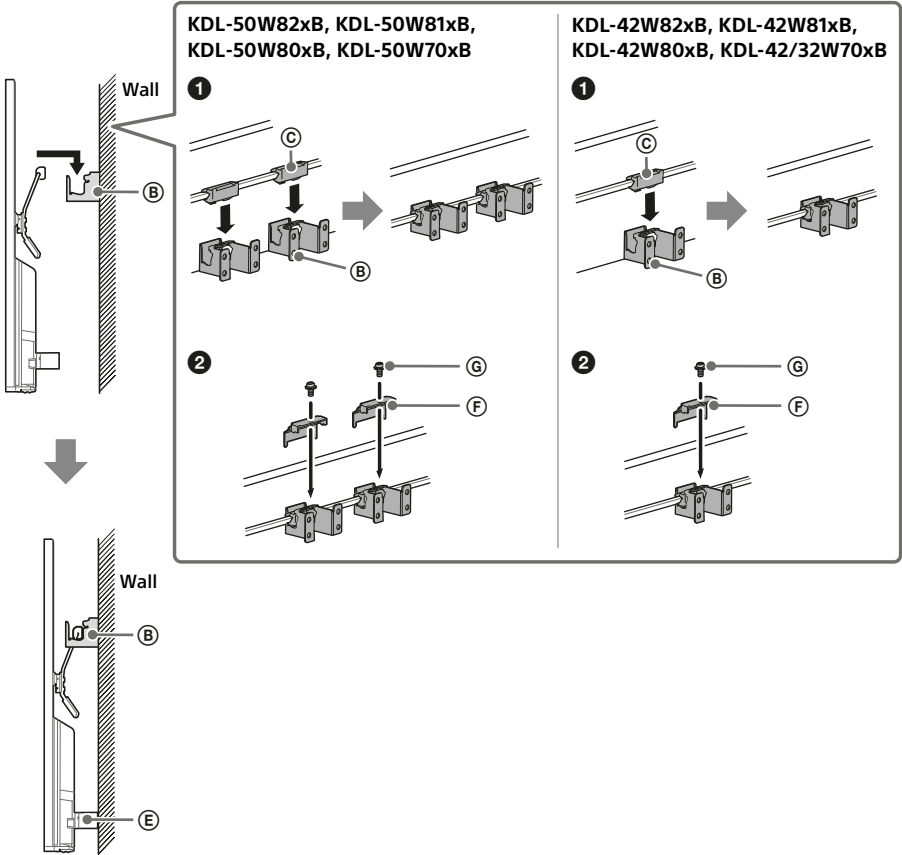


- 3 Attach the stand ® to the TV using the supplied screws ④. Attach the Spacers ⑤ to the holes indicated by the triangle marks △. KDL-50W82xB, KDL-50W81xB, KDL-50W80xB, KDL-50W70xB is used for illustration purpose.



Installing the TV on the wall

- 1 Make sure to connect and bundle the cables before installing the TV on the wall.
- 2 Install the TV on the wall. Then, confirm the Stand Protector © is firmly latched into the Wall-Mount Base ʙ and the Spacers Ɛ touch the wall. Attach the Bracket Cap Plate ƒ using the supplied screws Ɠ.



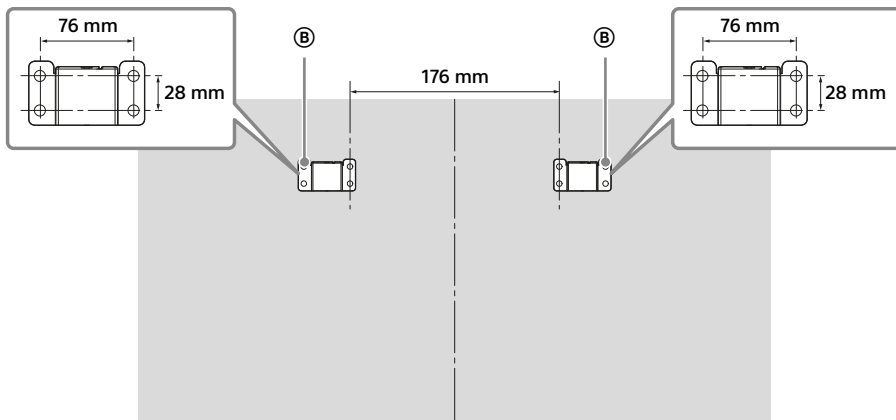
Dimensions of the hole positions on the wall

Provide the following information to the licensed contractors if necessary.

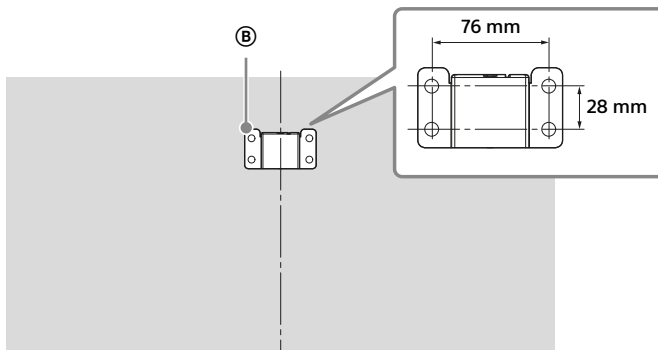
Use screws (8 mm in diameter, not supplied) to install the Wall-Mount Base **(B)** on the wall.

Be sure to use the supplied Paper Template **(A)** that shows the actual position of Wall-Mount Base for easy installation.

KDL-50W82xB, KDL-50W81xB, KDL-50W80xB, KDL-50W70xB



KDL-42W82xB, KDL-42W81xB, KDL-42W80xB, KDL-42/32W70xB



For instructions on Wall-Mount Bracket installation of your TV model, refer to the following website:
www.sony.eu/tv/wall-mount-bracket-manual

Troubleshooting

When the illumination LED is flashing in red, count how many times it flashes (interval time is three seconds).

If the illumination LED flashes red, reset the TV by disconnecting the mains lead from the TV for two minutes, then turn on the TV.

If the problem persists, contact your dealer or Sony service centre with the number of times the Illumination LED flashes red (interval time is three seconds). Press **I/⏻** on the TV to turn it off, disconnect the mains lead, and inform your dealer or Sony service centre.

When the illumination LED is not flashing, check the items as follows.

You can also refer to [Troubleshooting] in the i-Manual or perform self-diagnosis by selecting **? [Help]** → **[Customer Support]** → **[Self Diagnostics]**. If the problem persists, have your TV serviced by qualified service personnel.

Troubles and Solutions

There is no picture (screen is dark) and no sound.

- Check the antenna (aerial)/cable connection.
- Connect the TV to AC power (mains), and press **I/⏻** on the TV or remote.

Some programmes cannot be tuned.

- Check the antenna (aerial) or dish.
- The satellite cable might be short-circuited or there might be connection problems of the cable. Check the cable connection and then turn the TV off with the Mains power On/Off switch, and turn it on again.
- The frequency that you entered is out of range. Consult the received satellite broadcasting company.

There is no Cable TV services (programmes) found.

- Check the cable connection or tuning configuration.
- Attempt the [Digital Auto Tuning] by selecting [Antenna] instead of [Cable].

The remote does not function.

- Replace the batteries.
- Your TV may be in SYNC mode. Press **SYNC MENU**, select [TV Control] and then select [Home (Menu)] or [Options] to control the TV.

The [Parental Lock] password has been forgotten.

- Enter 9999 for the PIN code. (PIN code 9999 is always accepted.)

The TV surrounds become warm.

- When the TV is used for an extended period, the TV surrounds become warm. You may feel hot when touching there by the hand.

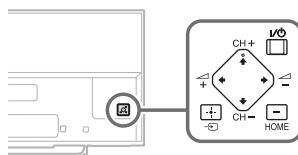
Frozen audio or video, a blank screen, or the TV does not respond to TV or remote buttons.

- Perform a simple reset of the TV by unplugging the AC power cord for two minutes, then plug it in again.

The **I/⏻**, **CH+/-**, **⏪ +/-**, **⏩ +/-**, **⏮**, **⏭** and **HOME** buttons cannot be located on the TV.

- See below illustration for location of the buttons on the TV.

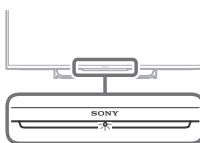
Rear of TV



The illumination LED is turned on.

- If you do not wish to light up the illumination LED, you can turn it off.

Press **HOME**, then select **[Settings]** → **[System Settings]** → **[General Set-up]** → **[Illumination LED]** → **[Off]**. You can also press **OPTIONS**, then select **[Illumination LED]** → **[Off]**.



Cannot connect to a wireless router by WPS.

- If you use WEP security, select **[Easy]** → **[Wi-Fi]** → **[Connect by scan list]**. Then, select the network name (SSID) you want to connect.

Cannot find the required network name in network setup.

- Select **[Manual Entry]** and press **⊕** to enter network name.

Specifications

System

Panel system

LCD (Liquid Crystal Display) Panel, LED Backlight

TV system

Analogue: Depending on your country/area

selection: B/G, D/K, L, I, M

Digital: DVB-T/DVB-C

DVB-T2

Satellite: DVB-S/DVB-S2

Colour/video system

Analogue: PAL, SECAM, NTSC3.58, NTSC4.43

Digital: Refer to the i-Manual.

Channel coverage

Analogue: UHF/VHF/Cable, Depending on your country/area selection.

Digital: UHF/VHF/Cable, Depending on your country/area selection.

Satellite: IF Frequency 950-2150 MHz

Sound output

8 W + 8 W (except KDL-32W70xB)

5 W + 5 W (KDL-32W70xB only)

Wireless technology

Protocol IEEE802.11a/b/g/n

Input/Output jacks

Antenna (aerial) cable

75 ohm external terminal for VHF/UHF

Satellite antenna

Female F-Type Connector IEC169-24, 75 ohm.

DiSEqC 1.0, LNB 13 V/18 V & 22 kHz tone, Single Cable Distribution EN50494.

AV1

21-pin scart connector (CENELEC standard) including audio/video input, RGB input and TV audio/video output.

COMPONENT IN

YPbPr (Component Video): 1080p (50, 60 Hz), 1080i (50, 60 Hz), 720p (50, 60 Hz), 576p, 576i, 480p, 480i

Audio input (phono jacks)

AV2

Video input (common phono pin with Y input)

HDMI IN 1, 2, 3, 4 (except KDL-50/42/32W70xB)

Video (2D): 1080p (30, 50, 60 Hz), 1080/24p, 1080i (50, 60 Hz), 720p (30, 50, 60 Hz), 720/24p, 576p, 576i, 480p, 480i, PC Formats

Video (3D):

Frame Packing: 1080p (30 Hz), 1080/24p, 1080i (50, 60 Hz), 720p (30, 50, 60 Hz), 720/24p
Side-by-Side: 1080p (50, 60 Hz), 1080/24p, 1080i (50, 60 Hz), 720p (50, 60 Hz)
Over-Under: 1080p (30, 50, 60 Hz), 1080/24p, 1080i (50, 60 Hz), 720p (50, 60 Hz)

Audio: 5.1 channel linear PCM: 32, 44.1 and 48 kHz, 16, 20 and 24 bits, Dolby Digital ARC (Audio Return Channel) (HDMI IN 2 only)

HDMI IN 1, 2, 3, 4 (KDL-50/42/32W70xB only)

Video: 1080p (30, 50, 60 Hz), 1080/24p, 1080i (50, 60 Hz), 720p (30, 50, 60 Hz), 720/24p, 576p, 576i, 480p, 480i, PC Formats
Audio: 5.1 channel linear PCM: 32, 44.1 and 48 kHz, 16, 20 and 24 bits, Dolby Digital ARC (Audio Return Channel) (HDMI IN 2 only)

MHL (common with HDMI IN 1)

(except KDL-50/42/32W70xB)

Video (2D): 1080p (30 Hz), 1080/24p, 1080i (50, 60 Hz), 720p (30, 50, 60 Hz), 720/24p, 576p, 576i, 480p, 480i

Video (3D):

Side-by-Side: 1080/24p, 1080i (50, 60 Hz), 720p (50, 60 Hz)

Over-Under: 1080p (30 Hz), 1080/24p, 1080i (50, 60 Hz), 720p (50, 60 Hz)

Audio: 5.1 channel linear PCM: 32, 44.1 and 48 kHz, 16, 20 and 24 bits, Dolby Digital

MHL (common with HDMI IN 1)

(KDL-50/42/32W70xB only)

Video: 1080p (30 Hz), 1080/24p, 1080i (50, 60 Hz), 720p (30, 50, 60 Hz), 720/24p, 576p, 576i, 480p, 480i

Audio: 5.1 channel linear PCM: 32, 44.1 and 48 kHz, 16, 20 and 24 bits, Dolby Digital

DIGITAL AUDIO OUT (OPTICAL)

Digital optical jack (Two channel linear PCM, Dolby Digital)

AUDIO OUT

Audio output (stereo mini jack)

Headphone jack (supports Subwoofer out)

1 (HDD REC), 2

USB HDD device port ( 1 only), USB port

CAM

CAM (Conditional Access Module) slot

DC IN 19.5 V

AC adapter input

LAN

10BASE-T/100BASE-TX connector (Depending on the operating environment of the network, connection speed may differ. 10BASE-T/100BASE-TX communication rate and communication quality are not guaranteed for this TV.)

Others

Optional accessories

Touchpad Remote Control: RMF-ED004
Camera and Microphone Unit: CMU-BR200/
CMU-BR100
Wireless subwoofer: SWF-BR100
MHL cable: DLC-MB10/DLC-MB20/DLC-MC10/
DLC-MC20
Active 3D Glasses: TDG-BT500A (KDL-50W82xB,
KDL-50W81xB, KDL-50W80xB only)



Passive 3D Glasses: TDG-500P (KDL-42W82xB,
KDL-42W81xB, KDL-42W80xB only)



Operating temperature

0 °C – 40 °C

Operating humidity

10 % – 80 % RH (non-condensing)

Power and others

Power requirements

19.5 V DC with AC adapter
Rating: Input 220 V - 240 V AC, 50 Hz

Energy Efficiency Class

KDL-50W82xB, KDL-50W81xB, KDL-50W80xB,
KDL-50W70xB: A++
KDL-42W82xB, KDL-42W81xB, KDL-42W80xB,
KDL-42W70xB: A+
KDL-32W70xB: A

Screen size (measured diagonally) (Approx.)

KDL-50W82xB, KDL-50W81xB, KDL-50W80xB,
KDL-50W70xB: 50 inches / 125.7 cm
KDL-42W82xB, KDL-42W81xB, KDL-42W80xB,
KDL-42W70xB: 42 inches / 106.7 cm
KDL-32W70xB: 32 inches / 80.1 cm

Power consumption

in [Standard] mode

KDL-50W82xB, KDL-50W81xB, KDL-50W80xB,
KDL-50W70xB: 51 W
KDL-42W82xB, KDL-42W81xB, KDL-42W80xB,
KDL-42W70xB: 50 W
KDL-32W70xB: 39 W

in [Vivid] mode

KDL-50W82xB, KDL-50W81xB, KDL-50W80xB,
KDL-50W70xB: 100 W
KDL-42W82xB, KDL-42W81xB, KDL-42W80xB,
KDL-42W70xB: 99 W
KDL-32W70xB: 80 W

Average annual energy consumption*1

KDL-50W82xB, KDL-50W81xB, KDL-50W80xB,
KDL-50W70xB: 71 kWh
KDL-42W82xB, KDL-42W81xB, KDL-42W80xB,
KDL-42W70xB: 69 kWh
KDL-32W70xB: 54 kWh

Standby power consumption*2

0.5 W (10 W in software/EPG update mode)

Display resolution

1,920 dots (horizontal) × 1,080 lines (vertical)

Dimensions (Approx.) (w × h × d)

with Table-Top Stand

KDL-50W82xB, KDL-50W81xB, KDL-50W80xB,
KDL-50W70xB: 111.6 × 69.3 × 17.9 cm
KDL-42W82xB, KDL-42W81xB, KDL-42W80xB,
KDL-42W70xB: 95.8 × 60.0 × 17.0 cm
KDL-32W70xB: 72.9 × 46.5 × 14.1 cm

without Table-Top Stand

KDL-50W82xB, KDL-50W81xB, KDL-50W80xB,
KDL-50W70xB: 111.6 × 65.6 × 6.4 cm
KDL-42W82xB, KDL-42W81xB, KDL-42W80xB,
KDL-42W70xB: 95.8 × 56.3 × 6.4 cm
KDL-32W70xB: 72.9 × 43.3 × 6.4 cm

Mass (Approx.)

with Table-Top Stand

KDL-50W82xB, KDL-50W81xB, KDL-50W80xB,
KDL-50W70xB: 14.8 kg
KDL-42W82xB, KDL-42W81xB, KDL-42W80xB,
KDL-42W70xB: 11.7 kg
KDL-32W70xB: 7.9 kg

without Table-Top Stand

KDL-50W82xB, KDL-50W81xB, KDL-50W80xB,
KDL-50W70xB: 13.6 kg
KDL-42W82xB, KDL-42W81xB, KDL-42W80xB,
KDL-42W70xB: 10.5 kg
KDL-32W70xB: 6.9 kg

*1 Energy consumption per year, based on the power consumption of the television operating 4 hours per day for 365 days. The actual energy consumption will depend on how the television is used.

*2 Specified standby power is reached after the TV finishes necessary internal processes.

Note

- The "x" that appears in the model name corresponds to a numeric digit, related to design, colour or TV system.
- Do not remove the dummy card from TV CAM (Conditional Access Module) slot other than to insert a smart card fitted in CAM.
- Optional accessories availability depends on countries/region/TV model/stock.
- Design and specifications are subject to change without notice.
- This TV set incorporates MHL 2.

Notes on Digital TV function

- Any functions related to Digital TV (DVB) will only work in countries or areas where DVB-T/DVB-T2 (MPEG-2 and H.264/MPEG-4 AVC) digital terrestrial signals are broadcast or where you have access to a compatible DVB-C (MPEG-2 and H.264/MPEG-4 AVC) cable service. Please confirm with your local dealer if you can receive a DVB-T/DVB-T2 signal where you live or ask your cable provider if their DVB-C cable service is suitable for integrated operation with this TV.
- Your cable provider may charge a fee for their services, or require you to agree to its terms and conditions of business.
- This TV set complies with DVB-T/DVB-T2 and DVB-C specifications, but compatibility with future DVB-T/DVB-T2 digital terrestrial and DVB-C digital cable broadcasts are not guaranteed.
- Some Digital TV functions may not be available in some countries/areas and DVB-C cable may not operate correctly with some providers.

Trademark information

- The terms HDMI and HDMI High-Definition Multimedia Interface, and the HDMI Logo are trademarks or registered trademarks of HDMI Licensing LLC in the United States and other countries.
- DLNA®, the DLNA Logo and DLNA CERTIFIED® are trademarks, service marks, or certification marks of the Digital Living Network Alliance.
- Manufactured under license from Dolby Laboratories. Dolby and the double-D symbol are trademarks of Dolby Laboratories.
- “BRAVIA” and BRAVIA are trademarks of Sony Corporation.
- TrackID is a trademark or registered trademark of Sony Mobile Communications AB.
- Gracenote, Gracenote eyeQ, Gracenote VideoID, Gracenote Video Explore, Gracenote MusicID, the Gracenote logo and logotype, and the “Powered by Gracenote” logo are either registered trademarks or trademarks of Gracenote in the United States and/or other countries.
- Opera® Devices SDK from Opera Software ASA. Copyright 1995-2014 Opera Software ASA. All rights reserved.
- Wi-Fi, Wi-Fi Direct and Miracast are trademarks or registered trademarks of Wi-Fi Alliance.
- “Sony Entertainment Network logo” and “Sony Entertainment Network” are trademarks of Sony Corporation.
- MHL, Mobile High-Definition Link and the MHL Logo are trademarks or registered trademarks of MHL Licensing, LLC.
- For DTS patents, see <http://patents.dts.com>. Manufactured under license from DTS Licensing Limited. DTS, the Symbol, & DTS and the Symbol together are registered trademarks, and DTS Digital Surround is a trademark of DTS, Inc. © DTS, Inc. All Rights Reserved.
- Designed with UEI Technology™ Under License from Universal Electronics Inc. Portions © UEI 2000 – 2013
- The Bluetooth® word mark and logos are owned by the Bluetooth SIG, Inc. and any use of such marks by Sony Corporation is under license. Other trademarks and trade names are those of their respective owners.
- DiSEqC™ is a trademark of EUTELSAT. This TV supports DiSEqC 1.0. This TV is not intended for controlling motorized antennas.

Table des matières

AVIS IMPORTANT	2
Consignes de sécurité	3
Précautions	5
Installation du téléviseur au mur	8
Installation des supports au mur	9
Préparation de l'installation du téléviseur	12
Installation du téléviseur au mur	13
Dépannage	15
Problèmes et solutions	15
Spécifications	16

Introduction

Sony vous remercie d'avoir choisi ce téléviseur. Avant de l'utiliser, nous vous invitons à lire attentivement ce manuel et à le conserver pour vous y référer ultérieurement.

Remarque

- Avant d'utiliser le téléviseur, lisez les « Consignes de sécurité » (page 3).
- Les instructions relatives à l'« Installation du téléviseur au mur » sont incluses dans ce mode d'emploi.
- Les images et illustrations reprises dans ce manuel et dans le Guide de démarrage rapide sont fournies pour référence uniquement et peuvent présenter des différences par rapport au produit proprement dit.

Emplacement de l'étiquette d'identification

Les étiquettes indiquant le N° de modèle, la Date de production (mois/année) et la Tension d'alimentation du téléviseur se trouvent à l'arrière du téléviseur ou du coffret d'emballage. Les étiquettes du N° de modèle et du N° de série de l'adaptateur secteur se trouvent sur la partie inférieure de l'adaptateur secteur.

AVERTISSEMENT

POUR ÉVITER LES INCENDIES, TENEZ TOUJOURS LES BOUGIES ET AUTRES FLAMMES NUES ÉLOIGNÉES DE CE PRODUIT.



AVIS IMPORTANT

Ce produit a été fabriqué par ou pour le compte de Sony Corporation, 1-7-1 Konan Minato-ku Tokyo, 108-0075 Japon. Toutes les questions relatives à la conformité des produits basées sur la législation européenne doivent être adressées à son représentant, Sony Deutschland GmbH, Hedelfinger Strasse 61, 70327 Stuttgart, Allemagne. Pour toute question relative au Service Après-Vente ou à la Garantie, merci de bien vouloir vous référer aux coordonnées qui vous sont communiquées dans les documents « Service (SAV) » ou Garantie.

Avis relatif au signal sans fil

Par la présente, Sony Corporation déclare que l'appareil est conforme aux exigences essentielles et aux autres dispositions pertinentes de la directive 1999/5/CE.

Pour toute information complémentaire, veuillez consulter l'URL suivante :

<http://www.compliance.sony.de/>

Avis aux clients : les informations suivantes s'appliquent uniquement aux appareils vendus dans les pays qui appliquent les directives de l'UE.

Le système de télévision sans fil peut être utilisé dans les pays suivants :

AT, BE, HR, CY, CZ, DK, EE, FI, FR, DE, GR, HU, IE, IT, LV, LT, LU, MT, NL, PL, PT, SK, SI, ES, SE, GB, IS, LI, NO, CH, BG, RO, TR, AL, BA, MK, MD, RS, ME

Cet appareil peut être utilisé dans d'autres pays non européens.



Consignes de sécurité

AVERTISSEMENT

Les piles ne doivent pas être exposées à une chaleur excessive, par exemple rayon du soleil, feu ou toute source de chaleur similaire.

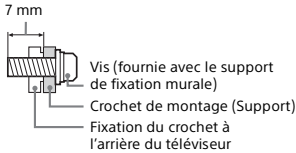
Installation/Mise en place

Installez et utilisez le téléviseur conformément aux instructions ci-dessous afin d'éviter tout risque d'incendie, d'électrocution ou autre dommage et/ou blessure.

Installation

- Le téléviseur doit être installé à proximité d'une prise de courant aisément accessible.
- Positionnez le téléviseur sur une surface stable et horizontale afin d'éviter qu'il ne tombe, n'entraîne des blessures ou ne soit endommagé.
- L'installation murale du téléviseur doit être confiée à un technicien spécialisé.
- Pour des raisons de sécurité, il est vivement recommandé d'utiliser les accessoires Sony, notamment :
 - Support de fixation murale
- Veillez à utiliser les vis fournies avec le support de fixation murale lorsque vous fixez les crochets de fixation (Support) au téléviseur. Les vis fournies sont conçues de la manière illustrée lorsqu'elles sont mesurées à partir de la surface de fixation du crochet de fixation (Support). Leur diamètre et leur longueur varient suivant le modèle de support de fixation murale.

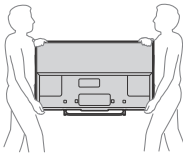
L'utilisation de vis autres que celles fournies peut occasionner des dégâts à l'intérieur du téléviseur ou provoquer sa chute, etc.



7 mm
Vis (fournie avec le support de fixation murale)
Crochet de montage (Support)
Fixation du crochet à l'arrière du téléviseur

Transport

- Avant de transporter le téléviseur, débranchez tous ses câbles.
- La présence de deux ou trois personnes est nécessaire pour le transport des téléviseurs de grande taille.
- Pour transporter le téléviseur à la main, saisissez-le de la manière illustrée. N'exercez aucune pression sur le panneau LCD ni sur le cadre qui entoure l'écran.



- Lorsque vous transportez le téléviseur, ne le soumettez pas à des secousses ou des vibrations excessives.
- Lorsque vous transportez le téléviseur pour le porter à réparer ou lorsque vous déménagez, glissez-le dans son emballage et son carton d'origine.

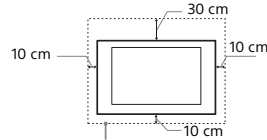
Prévenir le renversement de l'appareil

- Avant de fixer la vis à métaux, placez la face écran orientée vers le bas sur une surface de travail stable plus large que le téléviseur.
- Pour éviter d'endommager la surface de l'écran LCD, veillez à placer un chiffon doux sur la surface de travail.

Aération

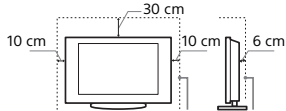
- Vous ne devez jamais obstruer les orifices d'aération du boîtier ni y introduire un objet quelconque.
- Laissez un espace libre autour du téléviseur, comme indiqué ci-dessous.
- Il est vivement recommandé d'utiliser le support de fixation murale Sony pour favoriser la circulation adéquate de l'air.

Installation murale



Laissez au moins cet espace libre autour du téléviseur.

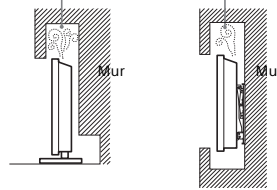
Installation sur pied



Laissez au moins cet espace libre autour du téléviseur.

- Pour une ventilation correcte, sans accumulation de salissures ni de poussière :
 - Ne placez pas le téléviseur à plat, à l'envers, vers l'arrière ou sur le côté.
 - Ne placez pas le téléviseur sur une étagère, un tapis, un lit ou dans un placard.
 - Ne couvrez pas le téléviseur avec des tissus tels que des rideaux, pas plus qu'avec des journaux, etc.
 - N'installez pas le téléviseur comme illustré ci-dessous.

La circulation de l'air est bloquée.



Cordon d'alimentation secteur

- Manipulez le cordon et la prise d'alimentation secteur comme indiqué ci-dessous afin d'éviter tout risque d'incendie, d'électrocution ou autre dommage et/ou blessure :
- Utilisez uniquement un cordon d'alimentation Sony et pas d'une autre marque.
 - Insérez la fiche à fond dans la prise secteur.
 - Utilisez le téléviseur sur une alimentation de 220-240 V CA uniquement.
 - Pour votre propre sécurité, assurez-vous que le cordon d'alimentation secteur est débranché lorsque vous réalisez des branchements et veillez à ne pas trébucher dans les câbles.
 - Avant d'effectuer tout type d'intervention ou de déplacer le téléviseur, débranchez le cordon d'alimentation secteur de la prise de courant.
 - Eloignez le cordon d'alimentation secteur des sources de chaleur.
 - Débranchez la fiche du cordon d'alimentation secteur et nettoyez-la régulièrement. Si la fiche accumule de la poussière ou est exposée à l'humidité, son isolation peut se détériorer et un incendie peut se déclarer.

Remarque

- N'utilisez pas le cordon d'alimentation fourni avec un autre appareil.
- Ne pliez pas et ne tordez pas exagérément le cordon d'alimentation secteur. Cela pourrait mettre à nu ou rompre les fils conducteurs.
- Ne modifiez pas le cordon d'alimentation secteur.
- Ne posez jamais d'objet lourd sur le cordon d'alimentation secteur.
- Ne tirez jamais sur le cordon d'alimentation secteur proprement dit pour le débrancher.
- Veillez à ne pas brancher un trop grand nombre d'appareils sur la même prise de courant.
- Pour la prise de courant, n'utilisez pas une prise de mauvaise qualité.

REMARQUE SUR L'ADAPTATEUR SECTEUR

Avertissement

- Pour réduire le risque d'incendie ou d'électrocution, n'exposez pas cet appareil à la pluie ou à l'humidité.
- Pour éviter tout incendie ou électrocution, ne placez pas d'objets remplis de liquide, par exemple des vases, sur l'appareil.
- N'installez pas cet appareil dans un espace confiné, par exemple sur une étagère ou toute unité similaire.
- Assurez-vous que la prise secteur se trouve à proximité de l'appareil et qu'elle est facilement accessible.
 - Veillez à utiliser l'adaptateur secteur et le cordon d'alimentation fournis.
 - N'utilisez aucun autre adaptateur secteur. Cela pourrait provoquer un dysfonctionnement.
 - Raccordez l'adaptateur secteur à une prise secteur d'accès aisé.
 - N'enroulez pas le cordon d'alimentation secteur autour de l'adaptateur secteur. Le fil de noyau risquerait d'être coupé et/ou de provoquer un dysfonctionnement de la passerelle multimédia.
 - Ne touchez pas l'adaptateur secteur avec des mains humides.
 - En cas d'anomalie de fonctionnement de l'adaptateur secteur, débranchez-le immédiatement de la prise secteur.
 - L'appareil n'est pas déconnecté de la source d'alimentation secteur aussi longtemps qu'il reste branché sur la prise murale, même si l'appareil proprement dit a été mis hors tension.
 - Comme l'adaptateur secteur chauffe lorsqu'il est utilisé pendant une longue période, vous pouvez sentir la chaleur lorsque vous le touchez à la main.



Ce qu'il ne faut pas faire

N'installez/n'utilisez pas le téléviseur dans des lieux, environnements ou situations comparables à ceux répertoriés ci-dessous car sinon, il risque de ne pas fonctionner correctement ou de provoquer un incendie, une électrocution, d'autres dommages et/ou des blessures.

Lieu :

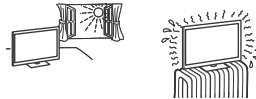
- A l'extérieur (en plein soleil), au bord de la mer, sur un bateau ou voilier, à l'intérieur d'un véhicule, dans des établissements hospitaliers, des sites instables, exposés à la pluie, l'humidité ou à la fumée.
- Si le téléviseur est placé dans les vestiaires de thermes ou de bains publics, le soufre dans l'atmosphère, etc., risque de l'endommager.



- Pour une qualité d'image optimale, n'exposez pas l'écran à un éclairage direct ou aux rayons directs du soleil.
- Évitez de déplacer le téléviseur d'une zone à une zone chaude. Les changements brusques de température ambiante peuvent entraîner une condensation de l'humidité. Le téléviseur peut alors diffuser des images et/ou des couleurs de qualité médiocre. Dans une telle éventualité, laissez l'humidité s'évaporer complètement avant de mettre le téléviseur sous tension.

Environnement :

- Endroits excessivement chauds, humides ou poussiéreux ; accessibles aux insectes ; soumis à des vibrations mécaniques, à proximité d'objets inflammables (bougies, etc.). Le téléviseur ne doit être exposé à aucune forme d'écoulement ou d'éclaboussure. C'est pourquoi aucun objet rempli d'un liquide quelconque, comme un vase, ne doit être placé sur le téléviseur.
- Ne placez pas le téléviseur dans un espace humide ou poussiéreux ni dans une pièce pleine de vapeur ou de fumée grasse (près de tables de cuisson ou d'humidificateurs). Il pourrait en résulter un incendie, des risques d'électrocution ou des déformations.
- N'installez pas le téléviseur à des endroits sujets à des températures extrêmes, par exemple la lumière directe du soleil ou près d'un radiateur ou d'un ventilateur soufflant de l'air chaud. Il peut en résulter une surchauffe du téléviseur, susceptible de déformer le boîtier et/ou d'entraîner le dysfonctionnement du téléviseur.



Situation :

- N'utilisez pas le téléviseur avec les mains mouillées, sans son boîtier ou avec des accessoires non recommandés par le fabricant. En cas d'orage, débranchez le téléviseur de la prise secteur et de la prise d'antenne.
- N'installez pas le téléviseur de manière saillante dans un espace ouvert. Des personnes pourraient se blesser ou l'endommager ou des objets pourraient se heurter au téléviseur.



Eclats et projections d'objets :

- Ne projetez aucun objet en direction du téléviseur. Le verre de l'écran pourrait être brisé lors de l'impact et provoquer des blessures graves.
- Si la surface de l'écran se fendille, ne touchez pas le téléviseur avant d'avoir débranché le cordon d'alimentation secteur. Le non-respect de cette consigne peut entraîner un risque d'électrocution.

Au repos

- Si vous envisagez de ne pas utiliser le téléviseur pendant plusieurs jours, il est conseillé de le débrancher de l'alimentation secteur pour des raisons de sécurité et de protection de l'environnement.
- Le téléviseur étant toujours sous tension lorsqu'il est simplement éteint, débranchez la fiche d'alimentation secteur de la prise de courant pour le mettre complètement hors tension.
- Toutefois, certains téléviseurs possèdent des caractéristiques dont le bon fonctionnement peut exiger que l'appareil demeure sous tension lorsqu'il est en mode veille.

Avec les enfants

- Ne laissez pas les enfants grimper sur le téléviseur.
- Conservez les petits accessoires hors de portée des enfants pour éviter tout risque d'ingestion accidentelle.

Si vous rencontrez les problèmes suivants...

Eteignez le téléviseur et débranchez immédiatement le cordon d'alimentation de la prise secteur si l'un des problèmes suivants devait survenir.

Contactez votre revendeur ou le centre de service après-vente Sony pour faire contrôler votre téléviseur par un technicien spécialisé.

Si :

- Le cordon d'alimentation secteur est endommagé.
- La prise de courant est de mauvaise qualité.
- Le téléviseur est endommagé après avoir subi une chute, un impact ou la projection d'un objet.
- Un objet liquide ou solide a pénétré à l'intérieur des ouvertures du boîtier.

À propos de la température du moniteur LCD

Si vous utilisez le moniteur LCD pendant une période prolongée, la température augmente dans la zone entourant le panneau. Si vous le touchez, vous remarquerez peut-être qu'il est chaud.

SUPPORT DE FIXATION MURALE

Les informations ci-dessous décrivent la manipulation correcte du support de fixation murale. Veuillez à lire attentivement ces informations et utiliser correctement le support de fixation murale.

A l'attention des clients :

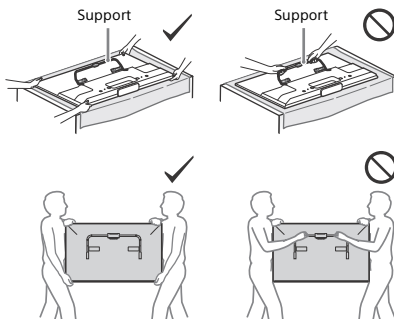
Veuillez à respecter les précautions de sécurité suivantes pour prévenir des blessures graves par feu, choc électrique, renversement du produit ou chute du produit.

- Veuillez à confier l'installation à un installateur agréé et tenez les jeunes enfants à l'écart pendant l'installation.
- Veuillez confier le déplacement ou le démontage du téléviseur à des installateurs agréés.
- Ne retirez pas de vis, etc., après le montage du téléviseur.
- N'altérez pas les pièces du support de fixation murale.
- Ne montez pas d'autres équipements que le produit spécifié.
- N'appliquez pas d'autres poids que le téléviseur sur le support de fixation murale.
- Ne vous appuyez pas sur ou vous suspendez du téléviseur.
- Ne manipulez pas le téléviseur avec trop de force pendant le nettoyage ou l'entretien.

A l'attention des revendeurs Sony et installateurs :

Les instructions suivantes sont uniquement à l'attention des revendeurs et des installateurs Sony. Veuillez à lire les précautions de sécurité décrites ci-dessous et apportez une attention toute particulière à la sécurité pendant l'installation, l'entretien et le contrôle de ce produit.

- Lorsque vous manipulez ou montez le téléviseur, tenez-le par les côtés. Ne soulevez pas le téléviseur par son support.

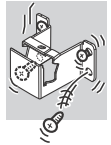


- N'installez pas le support de fixation murale sur les surfaces où les coins ou côtés du téléviseur sont en saillie par rapport à la surface du mur.



- N'installez pas le téléviseur sur ou sous un climatiseur.

- Veuillez à installer le support de fixation murale fermement en suivant les instructions de ce mode d'emploi. Si l'une des vis se desserre ou tombe, le support de fixation murale risque de tomber et d'entraîner des blessures corporelles ou des dégâts matériels.



- Veuillez à utiliser correctement les vis et pièces de fixation fournies en suivant les instructions de ce mode d'emploi. Si vous substituez des éléments, le téléviseur risque de tomber et d'entraîner des blessures corporelles ou d'être endommagé.
- Assurez-vous d'assembler le support correctement en suivant la procédure décrite dans ce mode d'emploi.
- Veuillez à serrer les vis fermement à la position indiquée.
- Veuillez à ne pas soumettre le téléviseur à des chocs pendant l'installation.
- Veuillez à installer le téléviseur à un mur perpendiculaire et lisse à la fois.
- Après avoir correctement installé le téléviseur, fixez les câbles de façon appropriée.
- Veuillez à ne pas coincer le cordon d'alimentation ou les câbles de raccordement, car les conducteurs internes risqueraient d'être exposés et de provoquer un court-circuit ou une coupure électrique.



Précautions

Regarder la télévision

- Certaines personnes peuvent ressentir une gêne (comme des troubles de la vue, de la fatigue ou des nausées) lorsqu'elles regardent des images vidéo 3D ou jouent à des jeux 3D stéréoscopiques. Sony recommande à tous les téléspectateurs de faire des pauses régulières lorsqu'ils regardent des images vidéo 3D ou jouent à des jeux 3D stéréoscopiques. La durée et la fréquence des pauses varient en fonction des personnes. À vous de décider ce qui vous convient le mieux. Si vous ressentez la moindre gêne, il vous est conseillé d'arrêter de regarder les images vidéo 3D ou d'arrêter de jouer aux jeux 3D stéréoscopiques jusqu'à ce que la gêne disparaisse. Consultez un docteur si vous le jugez nécessaire. Il est également conseillé de relire (i) le manuel d'instructions de tous les périphériques utilisés avec la télévision et (ii) de consulter notre site Internet (<http://support.sony-europe.com/>) pour avoir les dernières informations. La vue des jeunes enfants (particulièrement ceux qui ont moins de six ans) est encore en plein développement. Consultez votre docteur (comme un pédiatre ou un ophtalmologue) avant d'autoriser les jeunes enfants à regarder des images vidéo 3D ou à jouer à des jeux 3D stéréoscopiques. Les adultes doivent surveiller les jeunes enfants pour vérifier qu'ils suivent bien les recommandations données ci-dessus.
- N'utilisez pas, ne rangez pas ou ne laissez pas les lunettes 3D ou la batterie près du feu ou dans des endroits où la température est élevée, notamment sous les rayons directs du soleil ou dans des véhicules laissés en plein soleil.
- Veuillez noter que lorsque le simulateur 3D est activé, l'image est modifiée par rapport à l'originale en raison de la conversion assurée par la télévision.
- Regarder la télévision dans une pièce modérément éclairée ou peu éclairée ou pendant une période prolongée soumet vos yeux à un effort.
- Si vous utilisez un casque, réglez le volume de façon à éviter un niveau sonore excessif qui pourrait altérer votre capacité auditive.

Écran LCD

- Bien que l'écran LCD soit fabriqué avec une technologie de haute précision et soit doté d'une définition de pixels effectifs de 99,99 % ou supérieure, il est possible que quelques points noirs ou points lumineux (rouges, bleus ou verts) apparaissent constamment sur l'écran. Ce phénomène est inhérent à la structure de l'écran LCD et n'indique pas un dysfonctionnement.
- N'appuyez pas sur le filtre avant, ne l'éraflez pas et ne placez pas d'objets sur ce téléviseur. L'image pourrait être instable ou l'écran LCD être endommagé.
- Si ce téléviseur est utilisé dans un environnement froid, l'image peut apparaître sale ou sombre. Ce n'est pas le signe d'un dysfonctionnement. Ce phénomène disparaît au fur et à mesure que la température augmente.
- Une image rémanente peut apparaître lorsque des images fixes sont affichées en continu. Elle peut disparaître au bout d'un certain temps.
- L'écran et le boîtier se réchauffent lorsque le téléviseur est en cours d'utilisation. Ceci n'a rien d'anormal.
- L'écran LCD contient une petite quantité de cristaux liquides. Respectez les réglementations locales en vigueur concernant la mise au rebut de cet équipement.

Traitement et nettoyage du boîtier et de la surface de l'écran du téléviseur

- Assurez-vous que le cordon d'alimentation secteur relié au téléviseur est débranché de la prise de courant avant d'entreprendre toute opération de nettoyage.
- Pour éviter toute dégradation du matériau ou du revêtement de l'écran, respectez les précautions suivantes.
- Pour ôter la poussière du boîtier ou de la surface de l'écran, frottez délicatement avec un linge doux. En cas de saleté tenace, frottez avec un linge doux légèrement imprégné d'une solution à base de détergent doux dilué.
 - Ne jamais vaporiser d'eau ou de détergent directement sur le téléviseur. Le liquide pourrait couler au bas de l'écran ou sur les parties extérieures, voire pénétrer dans le téléviseur et l'endommager.
 - N'utilisez jamais d'éponge abrasive, de produit de nettoyage alcalin/acide, de poudre à récurer ou de solvant volatil, qu'il s'agisse d'alcool, d'essence, de diluant ou d'insecticide. L'utilisation de ces produits ou tout contact prolongé avec des matériaux en caoutchouc ou en vinyle peut endommager la surface de l'écran et le matériau du boîtier.
 - Le nettoyage régulier des ouvertures de ventilation est recommandé pour assurer une ventilation correcte.
 - Si l'angle du téléviseur doit être réglé, déplacez lentement ce dernier pour éviter qu'il ne se désolidarise et tombe de son pied.

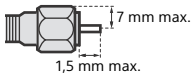


Appareils optionnels

- Éloignez le téléviseur de tout appareil ou équipement optionnel émettant des rayonnements électromagnétiques. Sinon, cela pourrait entraîner une déformation de l'image et/ou un bruit.
- Cet appareil a été testé et déclaré conforme aux limites de la Directive CEM lors de l'utilisation d'un câble de signal de liaison dont la longueur ne dépasse pas 3 mètres.

Recommandation relative à la fiche de type F

Le fil interne ne peut pas dépasser le connecteur de plus de 1,5 mm.



(Illustration de référence de la fiche de type F)

Faire attention lors de l'utilisation de la télécommande

- Respectez les polarités lors de l'insertion de piles.
- Ne mélangez pas des piles de types différents, ni des piles usagées avec des piles neuves.
- Respectez l'environnement lorsque vous jetez les piles. L'élimination des piles peut être réglementée dans certaines régions. Consultez les autorités locales.
- Manipulez la télécommande avec soin. Ne la laissez pas tomber, ne la piétinez pas et ne renversez aucun liquide sur celle-ci.
- Ne placez pas la télécommande à proximité d'une source de chaleur, dans un endroit exposé à la lumière directe du soleil ou dans une pièce humide.

Fonction sans fil de l'appareil

- N'utilisez pas cet appareil à proximité d'un équipement médical (stimulateur cardiaque, par exemple), car cela pourrait altérer le bon fonctionnement de ce dernier.
- Même si cet appareil émet/reçoit des signaux brouillés, soyez attentif aux éventuelles interceptions non autorisées. Nous ne pouvons être tenus responsables de tout problème que cela pourrait entraîner.

SUPPORT DE FIXATION MURALE

- Si vous utilisez le téléviseur installé sur le support de fixation murale pendant une période prolongée, la partie du mur située derrière ou au-dessus du téléviseur peut se décolorer ou le papier peint peut se décoller, selon le matériau dont le mur est constitué.
- Si vous retirez le support de fixation murale après l'avoir installé sur le mur, les trous de vis demeurent.
- N'utilisez pas le support de fixation murale dans un endroit où il est soumis à des vibrations mécaniques.

Mise au rebut du téléviseur



Traitement des appareils électriques et électroniques en fin de vie (Applicable dans les pays de l'Union Européenne et aux autres pays européens disposant de systèmes de collecte sélective)

Ce symbole, apposé sur le produit ou sur son emballage, indique que ce produit ne doit pas être traité avec les déchets ménagers. Il doit être remis à un point de collecte approprié pour le recyclage des équipements électriques et électroniques. En vous assurant que ce produit sont mis au rebut de façon appropriée, vous participez activement à la prévention des conséquences négatives que leur mauvais traitement pourrait provoquer sur l'environnement et sur la santé humaine. Le recyclage des matériaux contribue par ailleurs à la préservation des ressources naturelles. Pour toute information complémentaire au sujet du recyclage de ce produit, vous pouvez contacter votre municipalité, votre déchetterie locale ou le point de vente où vous avez acheté le produit.



Elimination des piles et accumulateurs usagés (Applicable dans les pays de l'Union Européenne et aux autres pays européens disposant de systèmes de collecte sélective)

Ce symbole, apposé sur les piles et accumulateurs ou sur les emballages, indique que les piles et accumulateurs fournis avec ce produit ne doivent pas être traités comme de simples déchets ménagers. Sur certains types de piles, ce symbole apparaît parfois combiné avec un symbole chimique. Les symboles pour le mercure (Hg) ou le plomb (Pb) sont rajoutés lorsque ces piles contiennent plus de 0,0005% de mercure ou 0,004% de plomb. En vous assurant que ces piles et accumulateurs sont mis au rebut de façon appropriée, vous participez activement à la prévention des conséquences négatives que leur mauvais traitement pourrait provoquer sur l'environnement et sur la santé humaine. Le recyclage des matériaux contribue par ailleurs à la préservation des ressources naturelles. Pour les produits qui pour des raisons de sécurité, de performance ou d'intégrité de données nécessitent une connexion permanente à une pile ou à un accumulateur, il conviendra de vous rapprocher d'un service technique qualifié pour effectuer son remplacement. En rapportant votre appareil électrique en fin de vie à un point de collecte approprié vous vous assurez que la pile ou l'accumulateur incorporé sera traité correctement. Pour tous les autres cas de figure et afin d'enlever les piles ou accumulateurs en toute sécurité de votre appareil, reportez-vous au manuel d'utilisation. Rapportez les piles ou accumulateurs usagés au point de collecte approprié pour le recyclage. Pour toute information complémentaire au sujet du recyclage de ce produit ou des piles et accumulateurs, vous pouvez contacter votre municipalité, votre déchetterie locale ou le point de vente où vous avez acheté ce produit.

Installation du téléviseur au mur

À l'attention des clients

L'installation de ce produit exige un certain savoir-faire. Veuillez à sous-traiter l'installation à un détaillant Sony ou à un prestataire extérieur agréé et faites particulièrement attention à la sécurité durant l'installation. Sony décline toute responsabilité en cas de dommages ou de blessures provoqués par une mauvaise manipulation ou une installation incorrecte ou en cas d'installation d'un produit autre que le produit spécifié. Vos droits statutaires (le cas échéant) ne sont pas affectés.

À l'attention des revendeurs et installateurs Sony

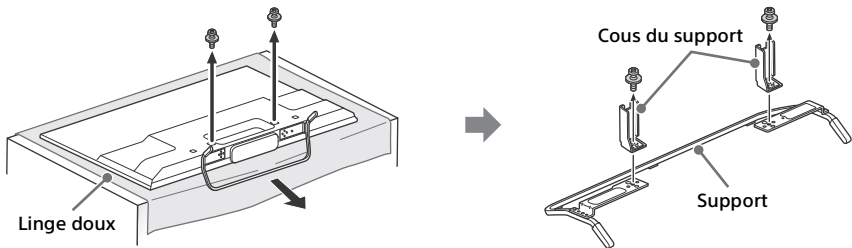
L'installation de ce produit exige un certain savoir-faire. Lisez attentivement ce mode d'emploi pour effectuer l'installation en toute sécurité. Sony décline toute responsabilité en cas de dommages ou de blessures provoqués par une mauvaise manipulation ou une installation incorrecte.

Le TV support de table est utilisé conjointement avec le support de fixation murale.

Remarque

- Reportez-vous à la page 3 (Consignes de sécurité) et à la page 5 (Précautions), rubrique SUPPORT DE FIXATION MURALE avant d'entreprendre l'installation du support mural.
- Si le support de table est fixé au téléviseur, détachez-le au préalable.
- Posez le téléviseur, écran vers le bas, sur une surface horizontale stable recouverte d'un linge épais et doux d'une largeur supérieure à celle du téléviseur, lorsque vous fixez le support ou lorsque vous retirez le support de table du téléviseur, afin d'éviter d'endommager la surface de l'écran LCD.
- Dès que les montants sont détachés du support, rangez-les en lieu sûr ainsi que leurs vis.
- Si vous refixez le support de table, veuillez à fixer les vis (que vous avez retirées) dans les trous d'origine à l'arrière du téléviseur.
- Assurez-vous que le téléviseur est en position verticale avant de le mettre sous tension. Évitez de mettre le téléviseur sous tension avec l'écran LCD orienté vers le bas afin de préserver l'uniformité de l'image.

Pour séparer le support de table du téléviseur



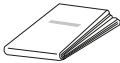
Installation des supports au mur

FR

1 Préparez toutes les pièces dont vous avez besoin.

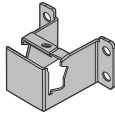
Accessoires du support de fixation murale (fournis)

(A) Gabarit en papier



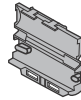
(B) Base de fixation murale

KDL-50W82xB,
KDL-50W81xB,
KDL-50W80xB,
KDL-50W70xB (2)
KDL-42W82xB,
KDL-42W81xB,
KDL-42W80xB,
KDL-42/32W70xB (1)



(C) Protection du support

KDL-50W82xB,
KDL-50W81xB,
KDL-50W80xB,
KDL-50W70xB (2)
KDL-42W82xB,
KDL-42W81xB,
KDL-42W80xB,
KDL-42/32W70xB (1)



(D) Vis
(+PSW 6 x 12) (2)



(E) Entretoise (2)



(F) Plaque d'obturation du support

KDL-50W82xB,
KDL-50W81xB,
KDL-50W80xB,
KDL-50W70xB (2)
KDL-42W82xB,
KDL-42W81xB,
KDL-42W80xB,
KDL-42/32W70xB (1)



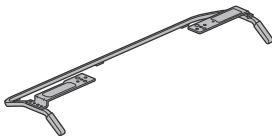
(G) Vis (+PSW 4 x 10)

KDL-50W82xB,
KDL-50W81xB,
KDL-50W80xB,
KDL-50W70xB (2)
KDL-42W82xB,
KDL-42W81xB,
KDL-42W80xB,
KDL-42/32W70xB (1)



Support (fourni)

(H)

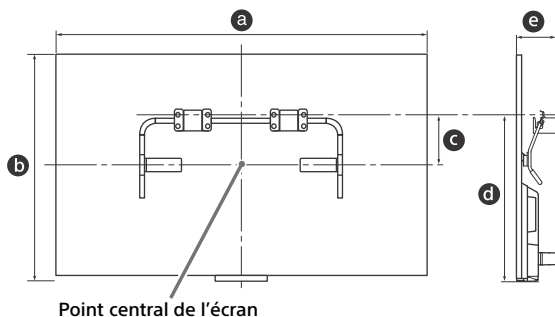


Vis pour base de fixation murale (8 mm de diamètre, non fournies)

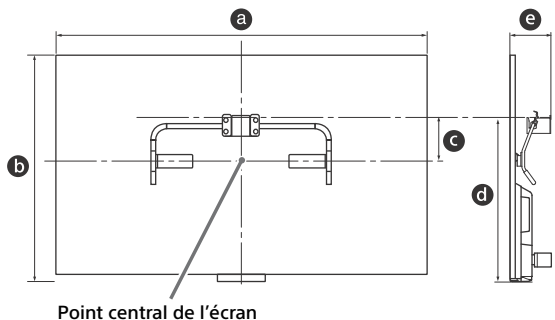
KDL-50W82xB,
KDL-50W81xB,
KDL-50W80xB,
KDL-50W70xB (8)
KDL-42W82xB,
KDL-42W81xB,
KDL-42W80xB,
KDL-42/32W70xB (4)

- 2** Assurez-vous que le mur dispose d'un espace suffisant et qu'il peut supporter un poids équivalent à quatre fois au moins celui du téléviseur.
Reportez-vous au tableau suivant lorsque vous installez le téléviseur au mur. Voir page 16-19 (Spécifications) pour connaître le poids du téléviseur.

KDL-50W82xB, KDL-50W81xB, KDL-50W80xB, KDL-50W70xB



KDL-42W82xB, KDL-42W81xB, KDL-42W80xB, KDL-42/32W70xB



Unité : cm

Nom du modèle KDL-	Dimensions d'affichage		Dimension du centre écran	Longueur pour le montage	
	a	b		d	e
50W82xB/ 50W81xB/ 50W80xB/ 50W70xB	111,6	65,6	13,0	46,9	11,8
42W82xB/ 42W81xB/ 42W80xB/ 42W70xB	95,8	56,3	17,5	46,5	11,8
32W70xB	72,9	43,3	18,8	41,3	11,3

Remarque

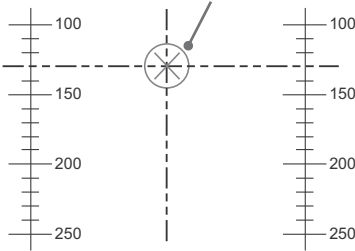
- Les valeurs indiquées dans le tableau peuvent être légèrement différentes selon l'installation.

- 3** Sur le gabarit en papier **(A)**, indiquez d'un repère le centre de l'écran de votre téléviseur.

**KDL-50W82xB, KDL-50W81xB,
KDL-50W80xB, KDL-50W70xB**

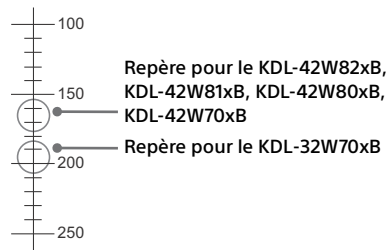
Échelle du gabarit en papier **(A)**

Repère pour le KDL-50W82xB, KDL-50W81xB,
KDL-50W80xB, KDL-50W70xB



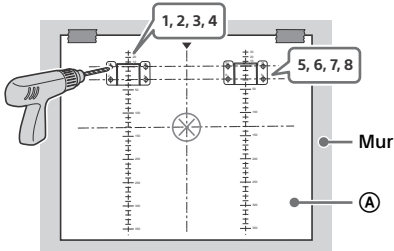
**KDL-42W82xB, KDL-42W81xB,
KDL-42W80xB, KDL-42/32W70xB**

Échelle du gabarit en papier **(A)**

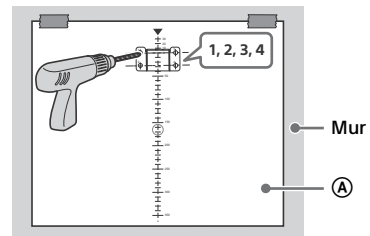


- 4** Avec de l'adhésif, fixez au mur le gabarit en papier **(A)** et, à l'aide d'une perceuse électrique, percez des trous en suivant la numérotation du gabarit en papier **(A)**.

**KDL-50W82xB, KDL-50W81xB,
KDL-50W80xB, KDL-50W70xB**



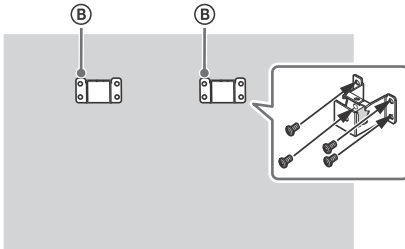
**KDL-42W82xB, KDL-42W81xB,
KDL-42W80xB, KDL-42/32W70xB**



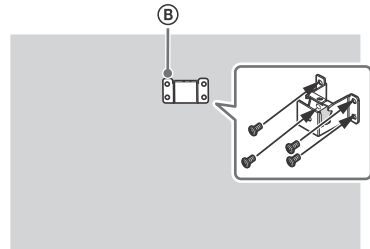
- 5** Détachez du mur le gabarit en papier **(A)**.

- 6** Fixez correctement au mur la base de fixation murale **(B)** à l'aide des vis (8 mm de diamètre, non fournies).

**KDL-50W82xB, KDL-50W81xB,
KDL-50W80xB, KDL-50W70xB**

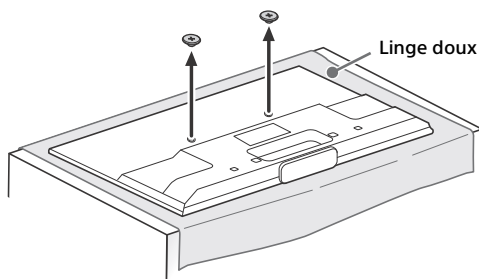


**KDL-42W82xB, KDL-42W81xB,
KDL-42W80xB, KDL-42/32W70xB**



Préparation de l'installation du téléviseur

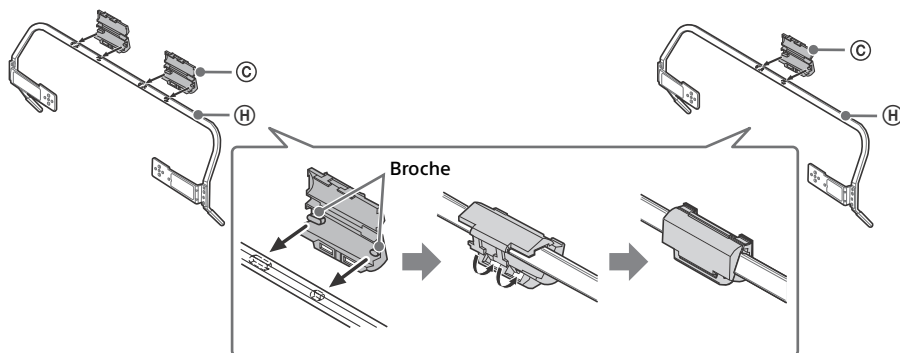
- 1 Retirez les vis à l'arrière du téléviseur. Les vis que vous retirez doivent être rangées en lieu sûr, hors de portée des enfants.



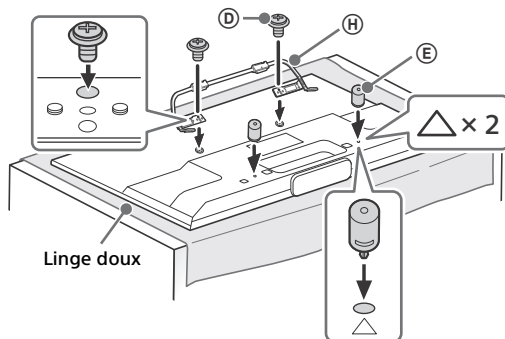
- 2 Insérez la broche (sur la protection du support ©) dans le trou du support ④, puis pliez vers le haut la protection du support ©. Vérifiez si la protection du support © est convenablement fixée au support ④.

KDL-50W82xB, KDL-50W81xB,
KDL-50W80xB, KDL-50W70xB

KDL-42W82xB, KDL-42W81xB,
KDL-42W80xB, KDL-42/32W70xB



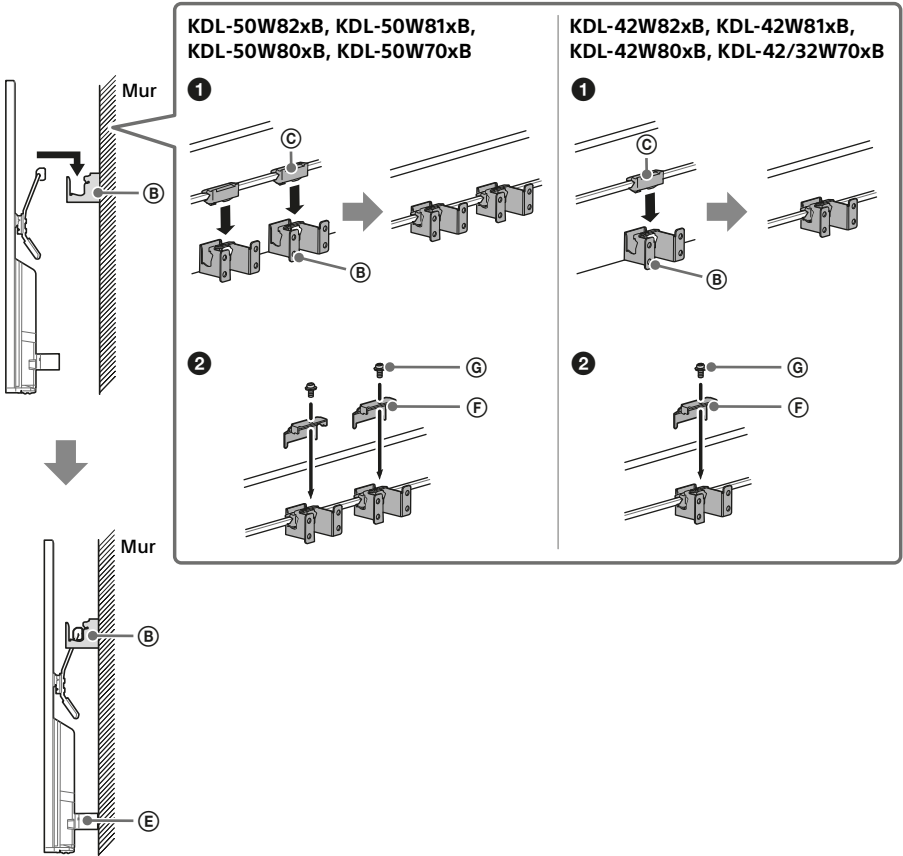
- 3 Fixez le support ④ au téléviseur à l'aide des vis fournies ①. Fixez les entretoises ② dans les trous désignés par les repères triangulaires Δ. Le KDL-50W82xB, KDL-50W81xB, KDL-50W80xB, KDL-50W70xB est représenté dans les illustrations.



Installation du téléviseur au mur

- 1 Veillez à raccorder et à regrouper les câbles avant d'installer le téléviseur au mur.
- 2 Installez le téléviseur au mur. Ensuite, vérifiez si la protection du support © est bien accrochée à la base de fixation murale ② et si les entretoises ③ touchent le mur. Fixez la plaque d'obturation du support ④ à l'aide des vis fournies ⑤.

FR

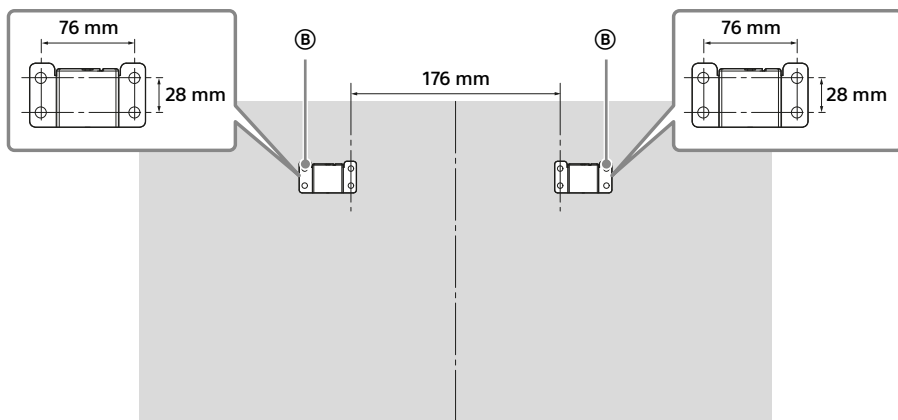


Dimensions des positions des trous sur le mur

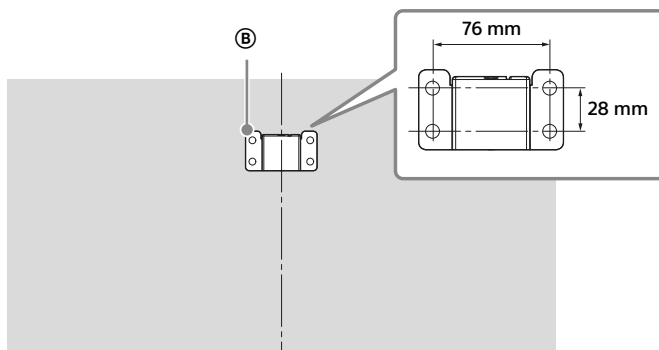
Le cas échéant, fournissez les informations suivantes aux installateurs agréés.

Utilisez des vis (8 mm de diamètre, non fournies) pour installer au mur la base de fixation murale (B). Pour une installation aisée, veuillez à utiliser le gabarit en papier (A) fourni sur lequel figure la position réelle de la base de fixation murale.

KDL-50W82xB, KDL-50W81xB, KDL-50W80xB, KDL-50W70xB



KDL-42W82xB, KDL-42W81xB, KDL-42W80xB, KDL-42/32W70xB



Pour connaître les instructions sur l'installation du support de fixation murale de votre modèle de téléviseur, reportez-vous au site Web suivant :

www.sony.eu/tv/wall-mount-bracket-manual

Dépannage

Lorsque l'affichage LED clignote en rouge, comptez le nombre de clignotements (l'intervalle est de trois secondes).

Si l'LED d'éclairage clignote en rouge, réinitialisez le téléviseur en débranchant le cordon d'alimentation secteur du téléviseur pendant deux minutes, puis remettez le téléviseur sous tension.

Si le problème persiste, contactez votre revendeur ou votre Centre de Service Après-Vente Sony en indiquant le nombre de clignotements en rouge de l'LED d'éclairage (à intervalle de trois secondes). Appuyez sur I/⏻ sur le téléviseur pour mettre celui-ci hors tension, débranchez le cordon d'alimentation secteur et adressez-vous à votre revendeur ou votre Centre de Service Après-Vente Sony.

Lorsque la LED d'éclairage ne clignote pas, vérifiez les éléments comme suit.

Vous pouvez également vous reporter à la section [Dépannage] de l'i-Manual ou exécuter un autodiagnostic en sélectionnant ? [Aide] → [Assistance clientèle] → [Autodiagnostic]. Si le problème persiste, confiez votre téléviseur à un technicien qualifié.

Problèmes et solutions

Absence d'image (écran noir) et de son.

- Vérifiez le raccordement de l'antenne/câble.
- Raccordez le téléviseur à l'alimentation secteur, puis appuyez sur la touche I/⏻ du téléviseur ou de la télécommande.

Impossible de syntoniser certains programmes.

- Vérifiez le raccordement de l'antenne ou de la parabole.
- Le câble satellite est peut-être court-circuité ou il peut avoir des problèmes de connexion. Vérifiez le câble et la connexion puis éteignez le téléviseur avec l'interrupteur Oui/Non et allumez de nouveau.
- La fréquence que vous avez saisie est hors limites. Veuillez consulter le fournisseur de programme satellite.

Absence de services TV câblés (programmes).

- Vérifiez le raccordement des câbles ou la configuration du réglage.
- Essayez la [Recherche auto. des chaînes numériques] en sélectionnant [TNT] au lieu de [Câble].

La télécommande ne fonctionne pas.

- Remplacez les piles.
- Votre téléviseur est peut-être en mode SYNC. Appuyez sur **SYNC MENU**, sélectionnez [Commande TV], puis sélectionnez [Accueil (Menu)] ou [Options] pour commander le téléviseur.

Le mot de passe du [Verrouillage parental] a été oublié.

- Saisissez 9999 comme code PIN. (Le code PIN 9999 est toujours accepté.)

La température augmente autour du téléviseur.

- Si vous utilisez le téléviseur pendant une période prolongée, la température augmente dans la zone qui l'entoure. Si vous le touchez, vous remarquerez peut-être qu'il est chaud.

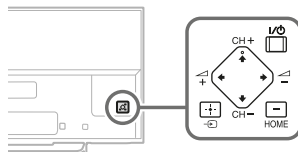
Audio ou vidéo gelé, écran noir ou le téléviseur ne répond pas quand les touches du téléviseur ou de la télécommande sont actionnées.

- Réinitialisez simplement le téléviseur en débranchant le cordon d'alimentation secteur pendant deux minutes, puis en le rebranchant.


Les touches I/⏻, CH+/-, ▲/▼, ⬆/⬇/⬅/➡, ⏻, [] et HOME sont introuvables sur le téléviseur.

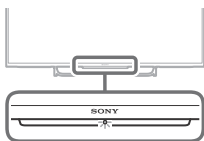
- Reportez-vous à l'illustration ci-dessous pour connaître l'emplacement des touches du téléviseur.

Arrière du téléviseur



L'affichage LED est allumé.


- Si vous ne souhaitez pas allumer l'affichage LED, vous pouvez l'éteindre.
Appuyez sur **HOME**, puis sélectionnez  [Réglages] → [Paramètres système] → [Réglage général] → [Affichage LED] → [Non].
Vous pouvez aussi appuyer sur **OPTIONS**, puis sélectionner [Affichage LED] → [Non].



Il est impossible de se connecter à un routeur sans fil avec le WPS.

- Si vous utilisez une sécurité WEP, sélectionnez [Simplifié] → [Wi-Fi] → [Connexion par liste de détection].
Ensuite, sélectionnez le nom du réseau (SSID) que vous souhaitez connecter.

Le nom du réseau requis dans la configuration du réseau est introuvable.

- Sélectionnez [[Saisie manuelle]] et appuyez sur  pour saisir un nom de réseau.

Spécifications

Norme

Type d'affichage

Ecran à cristaux liquides, Rétroéclairage LED

Norme de télévision

Analogique : Selon le pays/région sélectionné :

B/G, D/K, L, I, M

Numérique : DVB-T/DVB-C

DVB-T2

Satellite : DVB-S/DVB-S2

Norme Couleur/Vidéo

Analogique : PAL, SECAM, NTSC3.58, NTSC4.43

Numérique : Consultez l'i-Manual.

Canaux couverts

Analogique : UHF/VHF/Câble, Selon le pays/la région sélectionné.

Numérique : UHF/VHF/câble, Selon le pays/la région sélectionné.

Satellite : Fréquence IF 950-2150 MHz

Sortie son

8 W + 8 W (sauf KDL-32W70xB)

5 W + 5 W (KDL-32W70xB uniquement)

Technologie sans fil

Protocole IEEE802.11a/b/g/n

Prises d'entrée/sortie

Câble d'antenne

Borne 75 ohms externe pour VHF/UHF

Antenne satellite

Connecteur femelle type-F IEC169-24, 75 ohms.

DiSeqC 1.0, LNB 13 V/18 V & 22 kHz tone, Diffusion par câble unique EN50494.

/ AV1

Connecteur PériTel à 21 broches (norme CENELEC) comprenant entrée audio et vidéo, entrée RVB et sortie audio et vidéo TV.

/ COMPONENT IN

YPbPr (Vidéo composante) : 1080p (50, 60 Hz),

1080i (50, 60 Hz), 720p (50, 60 Hz), 576p, 576i,

480p, 480i

Entrée audio (prises phono)

AV2




Entrée vidéo (broche phono partagée avec l'entrée Y)


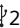

HDMI IN 1, 2, 3, 4 (sauf KDL-50/42/32W70xB)
 Vidéo (2D) : 1080p (30, 50, 60 Hz), 1080/24p, 1080i (50, 60 Hz), 720p (30, 50, 60 Hz), 720/24p, 576p, 576i, 480p, 480i, Formats PC
 Vidéo (3D) :
 Frame Packing : 1080p (30 Hz), 1080/24p, 1080i (50, 60 Hz), 720p (30, 50, 60 Hz), 720/24p
 Côte à côte : 1080p (50, 60 Hz), 1080/24p, 1080i (50, 60 Hz), 720p (50, 60 Hz)
 Dessus-Dessous : 1080p (30, 50, 60 Hz), 1080/24p, 1080i (50, 60 Hz), 720p (50, 60 Hz)
 Audio : PCM linéaire 5.1 canaux : 32, 44,1 et 48 kHz, 16, 20 et 24 bits, Dolby Digital
 ARC (Audio Return Channel) (HDMI IN 2 uniquement)


HDMI IN 1, 2, 3, 4 (KDL-50/42/32W70xB, uniquement)
 Vidéo : 1080p (30, 50, 60 Hz), 1080/24p, 1080i (50, 60 Hz), 720p (30, 50, 60 Hz), 720/24p, 576p, 576i, 480p, 480i, PC Formats
 Audio : PCM linéaire 5.1 canaux : 32, 44,1 et 48 kHz, 16, 20 et 24 bits, Dolby Digital
 ARC (Audio Return Channel) (HDMI IN 2 uniquement)


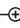
MHL (partagée avec HDMI IN 1) (sauf KDL-50/42/32W70xB)
 Vidéo (2D) : 1080p (30 Hz), 1080/24p, 1080i (50, 60 Hz), 720p (30, 50, 60 Hz), 720/24p, 576p, 576i, 480p, 480i
 Vidéo (3D) :
 Côte à côte : 1080/24p, 1080i (50, 60 Hz), 720p (50, 60 Hz)
 Dessus-Dessous : 1080p (30 Hz), 1080/24p, 1080i (50, 60 Hz), 720p (50, 60 Hz)
 Audio : PCM linéaire 5.1 canaux : 32, 44,1 et 48 kHz, 16, 20 et 24 bits, Dolby Digital


MHL (partagée avec HDMI IN 1) (KDL-50/42/32W70xB, uniquement)
 Vidéo : 1080p (30 Hz), 1080/24p, 1080i (50, 60 Hz), 720p (30, 50, 60 Hz), 720/24p, 576p, 576i, 480p, 480i
 Audio : PCM linéaire 5.1 canaux : 32, 44,1 et 48 kHz, 16, 20 et 24 bits, Dolby Digital

 DIGITAL AUDIO OUT (OPTICAL)
 Prise optique numérique (PCM linéaire deux canaux, Dolby Digital)
 AUDIO OUT/
 Sortie audio (Mini-jack stéréo)
 Prise casque
 (prise en charge de la sortie de caisson de graves)

 1 (HDD REC),  2
 Port périphérique HDD USB ( 1 uniquement),
 Port USB


 Fente CAM (Module pour système à contrôle d'accès)

  DC IN 19.5 V
 Entrée de l'adaptateur

 LAN
 Connecteur 10BASE-T/100BASE-TX (La vitesse de connexion du réseau peut varier en fonction de l'environnement d'exploitation. Le débit et la qualité de la communication 10BASE-T/100BASE-TX ne sont pas garantis pour ce téléviseur.)

Autres

Accessoires en option

Télécommande tactile : RMF-ED004
 Caméra Microphone : CMU-BR200/CMU-BR100
 Caisson de basses sans fil : SWF-BR100
 Câble MHL : DLC-MB10/DLC-MB20/DLC-MC10/DLC-MC20
 Lunettes 3D actives : TDG-BT500A (KDL-50W82xB, KDL-50W81xB, KDL-50W80xB uniquement)



Lunettes 3D passives : TDG-500P (KDL-42W82xB, KDL-42W81xB, KDL-42W80xB uniquement)



Températures de fonctionnement
 0 °C – 40 °C

Humidité de fonctionnement
 10 % – 80 % HR (sans condensation)

Alimentation et autres

Tension d'alimentation

CC 19,5 V avec alimentation secteur
 Caractéristiques nominales : Entrée 220 V - 240 V CA, 50 Hz

Classe d'efficacité énergétique

KDL-50W82xB, KDL-50W81xB, KDL-50W80xB, KDL-50W70xB : A++
 KDL-42W82xB, KDL-42W81xB, KDL-42W80xB, KDL-42W70xB : A+
 KDL-32W70xB : A

Taille d'écran (mesurée en diagonale) (Environ.)

KDL-50W82xB, KDL-50W81xB, KDL-50W80xB, KDL-50W70xB : 50 pouces / 125,7 cm
 KDL-42W82xB, KDL-42W81xB, KDL-42W80xB, KDL-42W70xB : 42 pouces / 106,7 cm
 KDL-32W70xB : 32 pouces / 80,1 cm

Consommation électrique

en mode [Standard]

KDL-50W82xB, KDL-50W81xB, KDL-50W80xB,
KDL-50W70xB : 51 W
KDL-42W82xB, KDL-42W81xB, KDL-42W80xB,
KDL-42W70xB : 50 W
KDL-32W70xB : 39 W

en mode [Intense]

KDL-50W82xB, KDL-50W81xB, KDL-50W80xB,
KDL-50W70xB : 100 W
KDL-42W82xB, KDL-42W81xB, KDL-42W80xB,
KDL-42W70xB : 99 W
KDL-32W70xB : 80 W

Consommation électrique annuelle moyenne*1

KDL-50W82xB, KDL-50W81xB, KDL-50W80xB,
KDL-50W70xB : 71 kWh
KDL-42W82xB, KDL-42W81xB, KDL-42W80xB,
KDL-42W70xB : 69 kWh
KDL-32W70xB : 54 kWh

Consommation électrique en veille*2

0,5 W (10 W en mode de mise à jour du logiciel/
EPG)

Résolution d'affichage

1 920 points (horizontal) × 1 080 lignes (vertical)

Dimensions (Environ.) (l × h × p)

Avec support de table

KDL-50W82xB, KDL-50W81xB, KDL-50W80xB,
KDL-50W70xB : 111,6 × 69,3 × 17,9 cm
KDL-42W82xB, KDL-42W81xB, KDL-42W80xB,
KDL-42W70xB : 95,8 × 60,0 × 17,0 cm
KDL-32W70xB : 72,9 × 46,5 × 14,1 cm

Sans support de table

KDL-50W82xB, KDL-50W81xB, KDL-50W80xB,
KDL-50W70xB : 111,6 × 65,6 × 6,4 cm
KDL-42W82xB, KDL-42W81xB, KDL-42W80xB,
KDL-42W70xB : 95,8 × 56,3 × 6,4 cm
KDL-32W70xB : 72,9 × 43,3 × 6,4 cm

Poids (Environ.)

Avec support de table

KDL-50W82xB, KDL-50W81xB, KDL-50W80xB,
KDL-50W70xB : 14,8 kg
KDL-42W82xB, KDL-42W81xB, KDL-42W80xB,
KDL-42W70xB : 11,7 kg
KDL-32W70xB : 7,9 kg

Sans support de table

KDL-50W82xB, KDL-50W81xB, KDL-50W80xB,
KDL-50W70xB : 13,6 kg
KDL-42W82xB, KDL-42W81xB, KDL-42W80xB,
KDL-42W70xB : 10,5 kg
KDL-32W70xB : 6,9 kg

*1 Consommation électrique par an, en considérant que le poste reste allumé 4 heures par jour pendant 365 jours. La consommation réelle dépendra du mode d'utilisation du téléviseur.

*2 La consommation spécifiée en mode de veille est atteinte une fois que le téléviseur a terminé tous les processus internes nécessaires.

Remarque

- Dans le nom du modèle du téléviseur, « x » correspond au numéro associé à la ligne, à la couleur ou au standard de télévision.
- Ne retirez pas la carte factice de la fente TV CAM (Module pour système à contrôle d'accès), sauf pour la remplacer par une carte à puce insérée dans le CAM.
- La disponibilité des accessoires en option varie selon les pays, les régions, les modèles de téléviseur et les stocks.
- La conception et les spécifications sont sujettes à modification sans préavis.
- Ce téléviseur est équipé de MHL 2.

Notes sur la fonction TV numérique

- Les fonctions du Téléviseur numérique (DVB) ne sont opérationnelles que dans les pays ou les zones assurant la diffusion des signaux numériques terrestres DVB-T/ DVB-T2 (MPEG-2 et H.264/MPEG-4 AVC) ou dans les pays ou les zones couverts par un service de diffusion par câble DVB-C (MPEG-2 et H.264/MPEG-4 AVC) compatible. Vérifiez auprès de votre revendeur local que votre zone de résidence permet la réception du signal DVB-T/DVB-T2 ou renseignez-vous auprès de votre câblo-opérateur pour être sûr de la compatibilité du service DVB-C avec ce téléviseur.
- Il est possible que celui-ci vous facture des frais supplémentaires pour ce service et qu'il vous faille accepter ses conditions générales pour cette prestation.
- Ce téléviseur est conforme aux spécifications DVB-T/DVB-T2 et DVB-C mais sa compatibilité avec les futurs programmes numériques terrestres DVB-T/ DVB-T2 et par le câble DVB-C ne peut en aucun cas être garantie.
- Certaines fonctions du téléviseur numérique peuvent ne pas être disponibles dans tous les pays/régions et le service câblé DVB-C peut ne pas s'avérer totalement opérationnel avec certains opérateurs.

Informations sur les marques commerciales

- Les termes HDMI et High-Definition Multimedia Interface ainsi que le logo HDMI sont des marques commerciales ou des marques déposées de HDMI Licensing, LLC aux États-Unis et dans d'autres pays.
- DLNA®, le logo DLNA et DLNA CERTIFIED® sont des marques, des marques de service ou des marques de certification de Digital Living Network Alliance.
- Fabriqué sous licence de Dolby Laboratories. Dolby et le symbole double-D sont des marques déposées de Dolby Laboratories.
- « BRAVIA » et BRAVIA sont des marques de Sony Corporation.
- TrackID est une marque commerciale ou une marque déposée de Sony Mobile Communications AB.
- Gracenote, Gracenote eyeQ, Gracenote VideoID, Gracenote Video Explore, Gracenote MusicID, le logo et le graphisme Gracenote ainsi que le logo « Powered by Gracenote » sont des marques commerciales ou des marques déposées de Gracenote aux États-Unis et/ou dans d'autres pays.
- Opera® Devices SDK from Opera Software ASA. Copyright 1995-2014 Opera Software ASA. All rights reserved.
- Wi-Fi, Wi-Fi Direct et Miracast sont des marques commerciales ou des marques déposées de Wi-Fi Alliance.
- « Sony Entertainment Network logo » et « Sony Entertainment Network » sont des marques de Sony Corporation.
- MHL, Mobile High-Definition Link et le logo MHL sont des marques commerciales ou des marques enregistrées de MHL Licensing, LLC.
- Pour les brevets DTS, visitez <http://patents.dts.com>. Fabriqué sous licence de DTS Licensing Limited. DTS, le symbole, & DTS et le symbole utilisés conjointement sont des marques déposées tandis que DTS Digital Surround est une marque commerciale de DTS, Inc. © DTS, Inc. Tous droits réservés.
- Designed with UEI Technology™ Under License from Universal Electronics Inc. Portions © UEI 2000 – 2013
- Les logos et le mot de marque Bluetooth® appartiennent à Bluetooth SIG, Inc. et toute utilisation de ces marques par Sony Corporation est couverte par une licence. Les autres marques commerciales et noms de marque appartiennent à leurs propriétaires respectifs.
- DiSEqC™ est une marque déposée de EUTELSAT.
Ce téléviseur prend en charge DiSEqC 1.0. Ce téléviseur n'est pas destiné à commander des antennes à moteur.

Índice

AVISO IMPORTANTE	2
Información de seguridad	3
Precauciones	5
Instalación del televisor en la pared	7
Instalación de los soportes en la pared	8
Preparativos para la instalación del televisor	11
Instalación del televisor en la pared	12
Solución de problemas	14
Problemas y soluciones	14
Especificaciones	15

Introducción

Gracias por elegir este producto Sony. Antes de utilizar el televisor, lea este manual atentamente y consérvelo para consultarlo en el futuro.

Nota

- Antes de utilizar el televisor, lea la "Información de seguridad" (página 3).
- En el manual de instrucciones de este televisor, se incluye la explicación sobre la "Instalación del televisor en la pared".
- Las imágenes y las ilustraciones utilizadas en la Guía de inicio rápido y este manual son solo ejemplos y pueden no coincidir con el aspecto real del producto.

Ubicación de la etiqueta identificativa

Las etiquetas con el número de modelo del televisor, la fecha de producción (mes/año) y la tensión de alimentación se encuentran en la parte posterior del televisor o el embalaje.

Las etiquetas correspondientes a los números de modelo y de serie del adaptador de corriente están situadas en la parte inferior del adaptador de corriente.

ADVERTENCIA

PARA EVITAR LA PROPAGACIÓN DE FUEGO, MANTENGA LAS VELAS U OTRAS LLAMAS SIEMPRE ALEJADAS DE ESTE PRODUCTO.



AVISO IMPORTANTE

Este producto ha sido fabricado por, o en nombre de Sony Corporation, 1-7-1 Konan Minato-ku Tokyo, 108-0075 Japón. Las consultas relacionadas con la conformidad del producto basadas en la legislación de la Unión Europea deben dirigirse al representante autorizado, Sony Deutschland GmbH, Hedelfinger Strasse 61, 70327 Stuttgart, Alemania. Para cualquier asunto relacionado con el servicio o la garantía, por favor dirijase a la dirección indicada en los documentos de servicio o garantía adjuntados con el producto.

Nota sobre la señal inalámbrica



Por medio de la presente, Sony

Corporation declara que esta unidad cumple con los requisitos esenciales y cualesquiera otras disposiciones aplicables o exigibles de la Directiva 1999/5/CE.

Para mayor información, por favor consulte el siguiente URL: <http://www.compliance.sony.de/>

Aviso para los clientes: la siguiente información solamente es aplicable a los equipos comercializados en los países que cumplan las directivas de la UE.

El sistema inalámbrico de televisión puede utilizarse en los siguientes países:

AT, BE, HR, CY, CZ, DK, EE, FI, FR, DE, GR, HU, IE, IT, LV, LT, LU, MT, NL, PL, PT, SK, SI, ES, SE, GB, IS, LI, NO, CH, BG, RO, TR, AL, BA, MK, MD, RS, ME

Este producto puede utilizarse en otros países no europeos.

Información de seguridad

AVISO

No exponga las pilas a un calor excesivo, como la luz solar directa o una llama.

Instalación/configuración

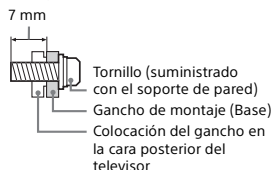
Instale y utilice el televisor siguiendo las instrucciones que se indican a continuación para evitar el riesgo de incendios, descargas eléctricas u otros daños y/o lesiones.

Instalación

- Debe instalar el televisor cerca de una toma de corriente de fácil acceso.
- Coloque el televisor sobre una mesa o una superficie estable para evitar que pueda caerse y provocar daños personales o estropearse TV.
- La instalación en pared sólo puede ser realizada por personal cualificado.
- Por razones de seguridad, se recomienda utilizar accesorios Sony como:
 - Soporte de pared
- Asegúrese de usar los tornillos suministrados con el soporte de pared al colocar los ganchos de montaje (base) en el televisor. Los tornillos suministrados han sido diseñados tal y como indica la ilustración si se miden desde la superficie de colocación del gancho de montaje (base).

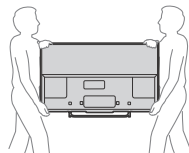
El diámetro y longitud de los tornillos varía en función del modelo de soporte de pared.

Si utiliza otros tornillos, puede provocar un daño interno en el televisor o éste puede caerse, etc.



Transporte

- Desconecte todos los cables antes de transportar el televisor.
- Se necesitan dos o tres personas para transportar un televisor grande.
- Al transportar el televisor manualmente, sujételo de la forma descrita a continuación. No ejerza presión sobre la pantalla LCD ni el marco que la rodea.



- Durante el transporte, no someta el televisor a sacudidas o vibraciones excesivas.
- Cuando transporte el televisor para repararlo o cuando lo cambie de sitio, embálelo con la caja y el material de embalaje originales.

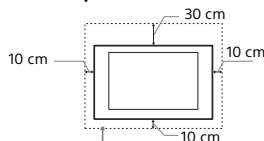
Sistema de prevención de caídas

- Antes de colocar el tornillo para metal, coloque la pantalla boca abajo sobre una superficie estable de mayor tamaño que el televisor.
- Para evitar dañar la superficie de la pantalla LCD, asegúrese de proteger la superficie con un paño suave.

Ventilación

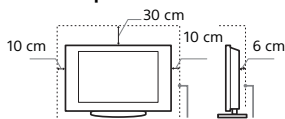
- Nunca obstruya, cubra ni inserte nada en los orificios de ventilación del aparato.
- Deje espacio alrededor del televisor, tal y como se muestra más abajo.
- Se recomienda utilizar el soporte de pared de Sony para que el aire circule correctamente.

Instalación en la pared



Deje, como mínimo, estas distancias alrededor del televisor.

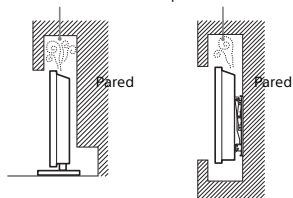
Instalación sobre pedestal



Deje, como mínimo, estas distancias alrededor del televisor.

- Para garantizar una ventilación apropiada y evitar la acumulación de suciedad o polvo:
 - No instale el televisor boca arriba, boca abajo, hacia atrás ni de lado.
 - No instale el televisor en un estante, sobre una alfombra, sobre una cama o dentro de un armario.
 - No cubra el televisor con tejidos como cortinas, ni otros objetos como periódicos, etc.
 - No instale el televisor como se muestra a continuación.

La circulación de aire queda obstruida.



Cable de alimentación

Utilice el cable y el enchufe tal y como se indica a continuación para evitar el riesgo de incendios, descargas eléctricas u otros daños y/o lesiones:

- Utilice únicamente cables de alimentación suministrados por Sony. No utilice cables de otros proveedores.
- Inserte el enchufe totalmente en la toma de corriente.
- Este televisor sólo funciona con alimentación de 220-240 V.
- Cuando conecte los cables, no olvide desenchar el cable de alimentación por razones de seguridad y evite tropezar o enredarse con los cables.
- Desencharfe el cable de alimentación antes de manipular o desplazar el televisor.
- Mantenga el cable de alimentación alejado de fuentes de calor.
- Desconecte el enchufe y límpielo regularmente. Si se acumula polvo o humedad en el enchufe, puede deteriorarse el aislamiento y producirse un incendio.

Nota

- No utilice el cable de alimentación suministrado con otros equipos.
- No apriete, doble ni retuerza excesivamente el cable de alimentación. Los conductores internos podrían quedar al descubierto o romperse.
- No modifique el cable de alimentación.
- No coloque ningún objeto pesado encima del cable de alimentación.
- No tire del cable para desconectarlo.
- No conecte demasiados aparatos a la misma toma de corriente.
- No utilice una toma de corriente de mala calidad.

NOTA SOBRE EL ADAPTADOR DE CORRIENTE

Aviso

Para reducir el riesgo de incendios o electrocución, no exponga el aparato a la lluvia ni a la humedad.

Para evitar el riesgo de incendio o electrocución, no coloque sobre el aparato objetos que contengan líquidos como, por ejemplo, un jarrón. No instale el equipo en un espacio cerrado, como una estantería o un mueble similar.

- Asegúrese de que la toma de corriente esté situada cerca del equipo y sea de fácil acceso.
- Utilice siempre el adaptador de corriente y el cable de alimentación suministrados.
- No utilice otros adaptadores de corriente. De lo contrario, podría ocasionar un fallo de funcionamiento.
- Conecte el adaptador de corriente a una toma de corriente de fácil acceso.
- No enrolle el cable de alimentación alrededor del adaptador de corriente. El núcleo del cable podría desgarrarse y podría producirse un error en el receptor multimedia.



- No toque el adaptador de corriente con las manos mojadas.
- Si detecta alguna anomalía en el adaptador de corriente, desconéctelo inmediatamente de la toma de corriente.
- El equipo no se desconecta de la red mientras siga conectado a la toma de corriente, aunque lo haya apagado.
- El adaptador de corriente alcanza una temperatura elevada cuando se utiliza durante un período prolongado, por lo que tal vez lo note caliente al tacto.

Uso prohibido

No instale/utilice el televisor en lugares, entornos o situaciones como las descritas a continuación ya que el televisor podría funcionar mal y provocar un incendio, una descarga eléctrica u otros daños y/o lesiones.

Lugar:

- Espacios exteriores (con luz solar directa), en la costa, en una embarcación, dentro de un vehículo, en centros sanitarios, ubicaciones inestables, cerca del agua, la lluvia, humedad o humo.
- Si el televisor se coloca en los vestuarios de unos baños públicos o de un balneario, es posible que sufra daños a causa del azufre suspendido en el aire, etc.



- Para una mejor calidad de imagen, no exponga la pantalla directamente a fuentes de iluminación o a la luz del sol.
- Evite trasladar el televisor de una zona fría a una cálida. Los cambios repentinos de habitación podrían ocasionar condensación de humedad. Esto podría ocasionar que el televisor mostrara imágenes de poca calidad o con un color deficiente. Si esto ocurre, deje que la humedad se evapore por completo antes de encender el televisor.

Entorno:

- Lugares cálidos, húmedos o con excesivo polvo; lugares en los que puedan entrar insectos; lugares expuestos a vibraciones mecánicas, o lugares próximos a objetos inflamables (velas, etc.). No exponga el televisor a goteros ni salpicaduras ni coloque sobre el aparato un objeto lleno de líquido como los floreros.
- No coloque el televisor en un espacio húmedo o polvoriento, ni en una habitación expuesta a humos o vapores grasientos (cerca de cocinas o humidificadores). Podría producirse un incendio, una descarga eléctrica o una combadura del aparato.



- No instale el televisor en lugares sometidos a temperaturas extremas como bajo la luz solar directa, cerca de un radiador o de una rejilla de ventilación. El televisor podría calentarse en tales condiciones, lo que podría causar una deformación de la carcasa o un fallo de funcionamiento del televisor.



Situación:

- No lo utilice si tiene las manos mojadas, si se ha extraído la carcasa o con accesorios no recomendados por el fabricante. Desconecte el televisor del cable de alimentación y de la antena durante las tormentas eléctricas.
- No instale el televisor de manera que sobresalga hacia un espacio abierto. Podría provocar lesiones o daños a las personas u objetos que pudieran impactar con el televisor.



Piezas rotas:

- No arroje ningún objeto contra el televisor. El cristal de la pantalla podría romperse debido al impacto y causar lesiones graves.
- Si la superficie del televisor se agrieta o se rompe, no la toque sin antes desconectar el cable de alimentación. De lo contrario, podría recibir una descarga eléctrica.

Cuando no se utilice

- Si no va a utilizar el televisor durante varios días, desconecte el cable por razones medioambientales y de seguridad.
- El televisor no se desconecta de la toma de corriente cuando se apaga. Desenchúfelo para que quede totalmente desconectado.
- No obstante, es posible que algunos televisores dispongan de funciones que precisen que se encuentren en modo de espera para funcionar correctamente.

Niños

- No deje que los niños suban al televisor.
- Mantenga los accesorios pequeños fuera del alcance de los niños para que no los traguen.

Si ocurren los siguientes problemas...

Apague el televisor y desenchúfelo inmediatamente si ocurre cualquiera de los siguientes problemas.

Pida a su distribuidor o al servicio técnico de Sony que le revise el televisor.

Cuando:

- El cable de alimentación está dañado.
- La toma de corriente es de mala calidad.
- El televisor está dañado porque se ha caído o ha sido golpeado o le ha sido arrojado algún objeto.
- Alguna sustancia líquida o sólida cae dentro del televisor.

Acerca de la temperatura de la pantalla LCD

Si se utiliza la pantalla LCD durante un período prolongado, es posible que su contorno alcance temperaturas elevadas. Si toca esa zona con la mano, podrá notar el calor.

SOPORTE DE PARED

Las siguientes instrucciones describen la correcta utilización del soporte de pared. Lea esta información con atención y utilice el soporte de pared correctamente.

Información para los clientes:

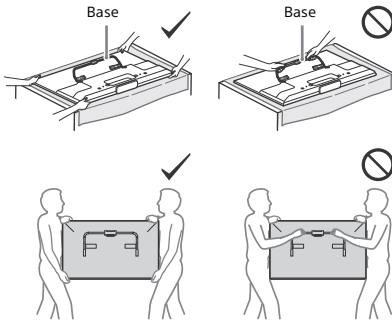
Siga siempre las siguientes precauciones de seguridad para evitar lesiones graves por incendios, descargas eléctricas o caídas del producto.

- Contrate siempre a profesionales autorizados para la instalación y mantenga a los niños alejados del lugar de la instalación.

- Contrate siempre a profesionales autorizados para trasladar o desmontar el televisor.
- No retire los tornillos ni otros componentes después de montar el televisor.
- No modifique ninguno de los componentes del soporte de pared.
- No instale otros equipos que no sean el producto especificado.
- No someta el soporte de pared a otras cargas que no sean el televisor.
- No se apoye en el televisor ni se cuelgue del mismo.
- No aplique una fuerza excesiva al televisor cuando lo limpie o cuando realice operaciones de mantenimiento.

Información para distribuidores y contratistas de Sony:

- Las siguientes instrucciones están pensadas exclusivamente para distribuidores y contratistas de Sony. Lea atentamente las precauciones de seguridad anteriores y preste una especial atención a la seguridad durante la instalación, el mantenimiento y la inspección de este producto.
- Al manipular o instalar el televisor, sujételo por los lados. No tire de la base para levantar el televisor.



- No instale el soporte de pared en paredes en las que las esquinas o los laterales del televisor sobresalgan del plano de la pared.



- No instale el televisor encima o debajo de un equipo de aire acondicionado.
- Asegúrese de instalar el soporte de pared de forma segura en la pared siguiendo las instrucciones de este manual de instrucciones. Si alguno de los tornillos está flojo o se sale, el soporte de pared puede caerse y provocar lesiones personales o daños materiales.
- Asegúrese de usar correctamente los tornillos y los elementos de fijación suministrados siguiendo las instrucciones de este manual de instrucciones. Si usa otras piezas, el televisor puede caerse y provocar lesiones personales o daños materiales.
- Asegúrese de montar el soporte correctamente siguiendo los pasos indicados en este manual de instrucciones.
- Asegúrese de apretar los tornillos de forma segura en la posición indicada.
- No someta el televisor a impactos durante la instalación.
- Instale el televisor en una pared perpendicular y plana.
- Una vez correctamente instalado el televisor, fije los cables de forma segura.
- Procure que ni el cable de alimentación ni los cables de conexión queden atrapados, ya que los conductores internos pueden quedar expuestos y provocar cortocircuitos o un corte eléctrico.



Precauciones

Ver la televisión

- Es posible que algunas personas sufran molestias (como vista cansada, fatiga o náuseas) al ver imágenes de video en 3D o jugar a juegos estereoscópicos en 3D. Sony recomienda a todos los usuarios realizar pausas a menudo cuando visualicen imágenes de video en 3D o jueguen a juegos estereoscópicos en 3D. La duración y la frecuencia de las pausas dependerán de cada persona. Por lo tanto, debe valorar qué resulta más adecuado en su caso concreto. Si nota cualquier molestia, debería dejar de ver imágenes de video en 3D y de jugar a juegos estereoscópicos en 3D hasta que desaparezcan dichas molestias; consulte con un médico si lo considera necesario. Asimismo, debe consultar (i) el manual de instrucciones de cualquier otro dispositivo o soporte que utilice con el televisor y (ii) el sitio web (<http://support.sony-europe.com/>), en el que encontrará la información más actualizada. Los niños (especialmente si tienen menos de seis años) tienen la vista en fase de desarrollo. Consulte con un médico (un pediatra o un oculista) antes de dejar que los niños vean imágenes de video en 3D o jueguen a juegos estereoscópicos en 3D. Los adultos deben controlar a los menores para garantizar que siguen estas recomendaciones.
- No utilice, ni almacene, ni deje las Gafas 3D o la batería cerca del fuego, ni en lugares expuestos a altas temperaturas como, por ejemplo, bajo la luz solar directa o en el interior de un vehículo estacionado al sol.
- Si utiliza la función de simulación de 3D, la imagen mostrada será diferente de la imagen original, por la conversión realizada por el televisor.
- Vea la televisión en una habitación con suficiente iluminación, ya que, si lo hace con poca luz o durante mucho tiempo, somete la vista a un sobresfuerzo.
- Cuando utilice auriculares, ajuste el volumen de forma que se eviten niveles excesivos, ya que podría sufrir daños en los oídos.

Pantalla LCD

- Aunque la pantalla LCD ha sido fabricada con tecnología de alta precisión y posee píxeles con una eficacia del 99,99% o superior, pueden aparecer de forma constante unos puntos negros o puntos brillantes de luz (rojos, azules o verdes). No se trata de un fallo de funcionamiento, sino de una característica de la estructura de la pantalla de cristal líquido.
- No presione ni raye el filtro frontal, ni coloque objetos encima del televisor, ya que la imagen podría resultar irregular o la pantalla de cristal líquido podría dañarse.
- Si se utiliza el televisor en un lugar frío, es posible que la imagen se oscurezca o que aparezca una mancha en la pantalla. Esto no significa que el televisor se ha estropeado. Este fenómeno irá desapareciendo a medida que aumente la temperatura.
- Si se visualizan imágenes fijas continuamente, es posible que se produzca un efecto de imagen fantasma que puede desaparecer transcurridos unos segundos.
- Cuando se utiliza el televisor, la pantalla y la carcasa se calientan. No se trata de un fallo de funcionamiento.
- La pantalla LCD contiene una pequeña cantidad de cristal líquido. Siga la normativa local para deshacerse de él.

Tratamiento y limpieza de la superficie de la pantalla y la carcasa del televisor

Desenchufe el cable de alimentación conectado al televisor antes de limpiarlo.

Para evitar la degradación del material o del acabado de la pantalla, tenga en cuenta las siguientes precauciones.

- Para eliminar el polvo de la superficie de la pantalla y la carcasa, pase cuidadosamente un paño suave. Si no consigue eliminar completamente el polvo, humedezca ligeramente el paño con una solución de detergente neutro poco concentrada.
- Nunca pulverice agua o detergente directamente en el televisor. El líquido podría gotear hasta la parte inferior de la pantalla o en zonas externas y penetrar en el televisor, con el consiguiente riesgo de daños en el aparato.



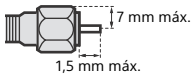
- No utilice nunca estropajos abrasivos, productos de limpieza ácidos o alcalinos, detergente concentrado ni disolventes volátiles, como alcohol, bencina, diluyente o insecticida. Si utiliza este tipo de materiales o expone la unidad a un contacto prolongado con materiales de goma o vinilo, puede dañar el material de la superficie de la pantalla y de la carcasa.
- Se recomienda pasar la aspiradora periódicamente por los orificios de ventilación para que el televisor se ventile adecuadamente.
- Si necesita ajustar el ángulo del televisor, desplácelo lentamente para evitar que se desenganche del soporte.

Equipos opcionales

- Sitúe los equipos opcionales o cualquier equipo que emita radiaciones electromagnéticas lejos del televisor. De lo contrario, la imagen puede aparecer distorsionada y/o pueden emitirse ruidos.
- El equipo ha sido probado y cumple los límites establecidos por la directiva EMC utilizando un cable de señal de conexión de una longitud inferior a 3 metros.

Recomendación sobre el conector de tipo F

El cable interno solo puede sobresalir 1,5 mm desde la parte de conexión.



(Ilustración de referencia del conector de tipo F)

Precauciones acerca del manejo del mando a distancia

- Coloque las pilas con la polaridad correcta.
- No utilice pilas de distintos tipos ni mezcle pilas nuevas con viejas.
- Sea respetuoso con el medio ambiente y deseche las pilas en los contenedores dispuestos para este fin. En ciertas regiones, la eliminación de las pilas está regulada. Consúltelo con las autoridades locales.
- Use el mando a distancia con cuidado. No lo deje caer ni lo pise, ni tampoco derrame sobre él ningún tipo de líquido.
- No deje el mando a distancia cerca de una fuente de calor, en un lugar expuesto a la luz solar directa ni en una habitación húmeda.

Función inalámbrica de la unidad

- No utilice la unidad cerca de equipos médicos (marcapasos, etc.), ya que dichos equipos podrían experimentar algún tipo de problema.
- Aunque la unidad transmite o recibe señales aleatorias, preste atención a las posibles intercepciones no autorizadas. No nos responsabilizamos de ningún problema relacionado con este aspecto.

SOPORTE DE PARED

- Si utiliza el televisor instalado en el soporte de pared durante un largo periodo de tiempo, la pared situada detrás o encima del televisor puede decolorarse o el papel de la pared puede desprenderse, en función del material de la pared.
- Si retira el soporte de montaje en la pared después de instalarlo en la pared, los orificios de los tornillos quedarán visibles.
- No utilice el soporte de pared en un lugar sometido a vibraciones mecánicas.

Cómo deshacerse del televisor



Tratamiento de los equipos eléctricos y electrónicos al final de su vida útil (aplicable en la Unión Europea y en países europeos con sistemas de tratamiento selectivo de residuos)

Este símbolo en el equipo o en su embalaje indica que el presente producto no puede ser tratado como residuos doméstico normal. Debe entregarse en el correspondiente punto de recogida de equipos eléctricos y electrónicos. Al asegurarse de que este producto se desecha correctamente, usted ayuda a prevenir las consecuencias potencialmente negativas para el medio ambiente y la salud humana que podrían derivarse de la incorrecta manipulación en el momento de deshacerse de este producto. El reciclaje de materiales ayuda a conservar los recursos naturales. Para recibir información detallada sobre el reciclaje de este producto, póngase en contacto con el ayuntamiento, el punto de recogida más cercano o el establecimiento donde ha adquirido el producto.



Tratamiento de las baterías al final de su vida útil (aplicable en la Unión Europea y en países europeos con sistemas de tratamiento selectivo de residuos)

Este símbolo en la batería o en el embalaje indica que la batería proporcionada con este producto no puede ser tratada como un residuo doméstico normal. En algunas baterías este símbolo puede utilizarse en combinación con un símbolo químico. El símbolo químico del mercurio (Hg) o del plomo (Pb) se añadirá si la batería contiene más del 0,0005% de mercurio o del 0,004% de plomo. Al asegurarse de que estas baterías se desechan correctamente, usted ayuda a prevenir las consecuencias potencialmente negativas para el medio ambiente y la salud humana que podrían derivarse de la incorrecta manipulación en el momento de deshacerse de la batería. El reciclaje de materiales ayuda a conservar los recursos naturales. En el caso de productos que por razones de seguridad, rendimiento o mantenimiento de datos sea necesaria una conexión permanente con la batería incorporada, esta batería solo deberá ser reemplazada por personal técnico cualificado para ello. Para asegurarse de que la batería será tratada correctamente, entregue el producto al final de su vida útil en un punto de recogida para el reciclado de aparatos eléctricos y electrónicos. Para las demás baterías, consulte la sección donde se indica cómo extraer la batería del producto de forma segura. Deposite la batería en el correspondiente punto de recogida para el reciclado de baterías. Para recibir información detallada sobre el reciclaje de este producto o de la batería, póngase en contacto con el ayuntamiento, el punto de recogida más cercano o el establecimiento donde ha adquirido el producto.

Instalación del televisor en la pared

Para los clientes

La instalación de este producto requiere unos conocimientos suficientes. Asegúrese de subcontratar la instalación a distribuidores Sony o instaladores autorizados y preste una atención especial a la seguridad durante la instalación. Sony no se hace responsable de las lesiones ni los daños provocados por una manipulación o instalación incorrectas, ni por la instalación de un producto distinto del especificado. Esto no afecta sus derechos legales (si corresponde).

Para distribuidores Sony e instaladores

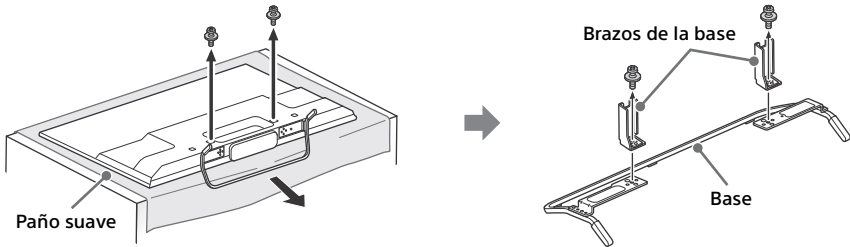
La instalación de este producto requiere unos conocimientos suficientes. Asegúrese de leer con atención este manual de instrucciones para realizar la instalación con la máxima seguridad. Sony no se hace responsable de las lesiones ni los daños provocados por una manipulación o instalación incorrectas.

El soporte de sobremesa del televisor se utilizará como parte del soporte de pared.

Nota

- Consulte la página 3 (Información de seguridad) y la página 5 (Precauciones) en relación con el SOPORTE DE PARED antes de instalar el soporte de pared.
- Si el soporte de sobremesa está fijado al televisor, desmonte primero el soporte de sobremesa.
- Al fijar la base o al desmontar el soporte de sobremesa del televisor, coloque el televisor con la pantalla boca abajo sobre una superficie lisa y estable, protegido por un paño grueso y suave de un tamaño superior al televisor, para evitar dañar la superficie de la pantalla LCD.
- Una vez desmontados los brazos de la base, asegúrese de guardar los brazos y los tornillos en un lugar seguro.
- Cuando vuelva a montar el soporte de sobremesa, asegúrese de colocar los tornillos (retirados anteriormente) en los orificios originales de la parte posterior del televisor.
- Asegúrese de que el televisor está en posición vertical antes de encenderlo. El televisor no debe encenderse con la pantalla LCD boca abajo, para evitar irregularidades en la imagen.

Para desmontar el soporte de sobremesa del televisor

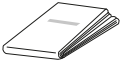


Instalación de los soportes en la pared

1 Prepare los elementos necesarios.

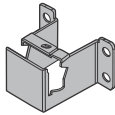
Accesorios del soporte de pared (suministrados)

A Plantilla de papel



B Base del soporte de pared

KDL-50W82xB,
KDL-50W81xB,
KDL-50W80xB,
KDL-50W70xB (2)
KDL-42W82xB,
KDL-42W81xB,
KDL-42W80xB,
KDL-42/32W70xB (1)



C Protector de la base

KDL-50W82xB,
KDL-50W81xB,
KDL-50W80xB,
KDL-50W70xB (2)
KDL-42W82xB,
KDL-42W81xB,
KDL-42W80xB,
KDL-42/32W70xB (1)



D Tornillo (+PSW 6 x 12) (2)



E Separador (2)



F Tapa del soporte

KDL-50W82xB,
KDL-50W81xB,
KDL-50W80xB,
KDL-50W70xB (2)
KDL-42W82xB,
KDL-42W81xB,
KDL-42W80xB,
KDL-42/32W70xB (1)



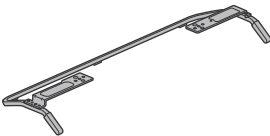
G Tornillo (+PSW 4 x 10)

KDL-50W82xB,
KDL-50W81xB,
KDL-50W80xB,
KDL-50W70xB (2)
KDL-42W82xB,
KDL-42W81xB,
KDL-42W80xB,
KDL-42/32W70xB (1)



Base (suministrada)

H

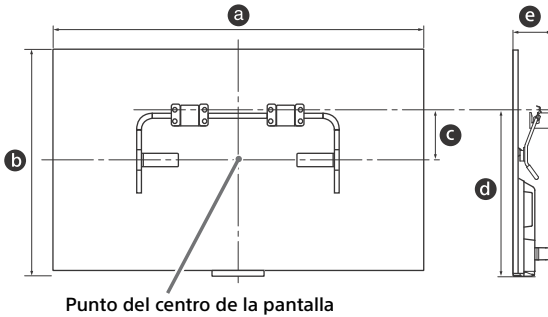


Tornillos para la base del soporte (8 mm de diámetro, no suministrados)

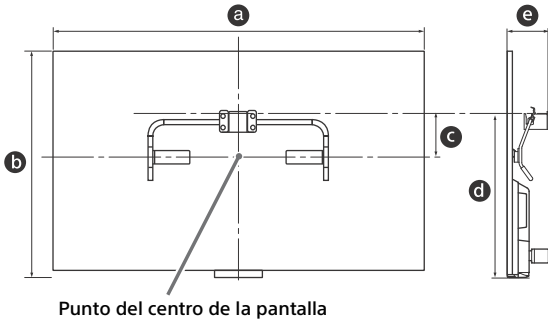
KDL-50W82xB,
KDL-50W81xB,
KDL-50W80xB,
KDL-50W70xB (8)
KDL-42W82xB,
KDL-42W81xB,
KDL-42W80xB,
KDL-42/32W70xB (4)

- 2 Asegúrese de que la pared tiene suficiente espacio y es capaz de soportar un peso de al menos cuatro veces el del televisor.
 Consulte la siguiente tabla para instalar el televisor en la pared. Consulte la página 15-18 (Especificaciones) para saber el peso del televisor.

KDL-50W82xB, KDL-50W81xB, KDL-50W80xB, KDL-50W70xB



KDL-42W82xB, KDL-42W81xB, KDL-42W80xB, KDL-42/32W70xB



Unidad: cm

Nombre del modelo KDL-	Dimensiones de la pantalla		Dimensión del centro de la pantalla	Longitud para montaje	
	a	b	c	d	e
50W82xB/ 50W81xB/ 50W80xB/ 50W70xB	111,6	65,6	13,0	46,9	11,8
42W82xB/ 42W81xB/ 42W80xB/ 42W70xB	95,8	56,3	17,5	46,5	11,8
32W70xB	72,9	43,3	18,8	41,3	11,3

Nota

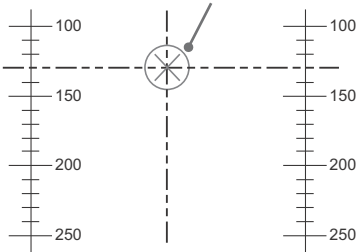
- Las cifras de la tabla pueden variar ligeramente dependiendo de la instalación.

3 Realice una marca en la plantilla de papel **(A)** para indicar el centro de la pantalla del televisor.

**KDL-50W82xB, KDL-50W81xB,
KDL-50W80xB, KDL-50W70xB**

Escala en la plantilla de papel **(A)**

Marca para KDL-50W82xB, KDL-50W81xB,
KDL-50W80xB, KDL-50W70xB



**KDL-42W82xB, KDL-42W81xB,
KDL-42W80xB, KDL-42/32W70xB**

Escala en la plantilla de papel **(A)**

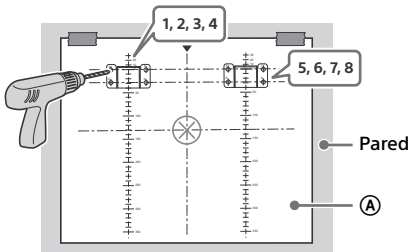
Marca para KDL-42W82xB,
KDL-42W81xB, KDL-42W80xB,
KDL-42W70xB

Marca para KDL-32W70xB

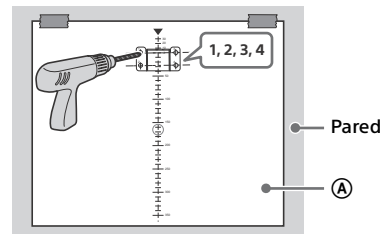


4 Pegue la plantilla de papel **(A)** en la pared y realice los orificios teniendo en cuenta los números de la plantilla de papel **(A)** usando un taladro eléctrico.

**KDL-50W82xB, KDL-50W81xB,
KDL-50W80xB, KDL-50W70xB**



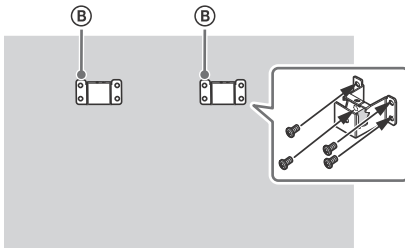
**KDL-42W82xB, KDL-42W81xB,
KDL-42W80xB, KDL-42/32W70xB**



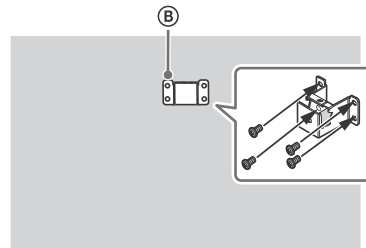
5 Retire la plantilla de papel **(A)** de la pared.

6 Fije la base del soporte **(B)** a la pared correctamente utilizando los tornillos (8 mm de diámetro, no suministrados).

**KDL-50W82xB, KDL-50W81xB,
KDL-50W80xB, KDL-50W70xB**

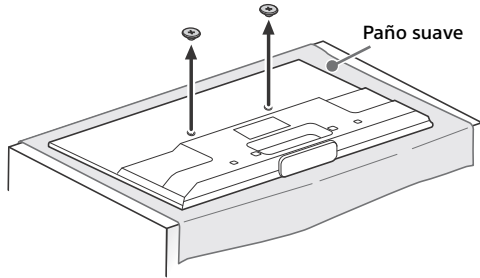


**KDL-42W82xB, KDL-42W81xB,
KDL-42W80xB, KDL-42/32W70xB**



Preparativos para la instalación del televisor

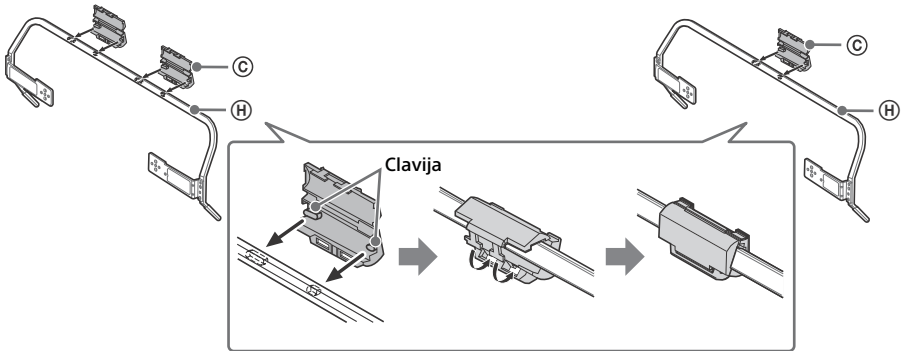
- 1 Retire los tornillos de la parte posterior del televisor. Asegúrese de guardar los tornillos retirados en un lugar seguro, lejos del alcance de los niños.



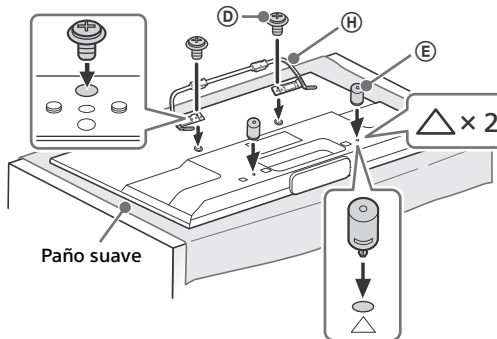
- 2 Inserte el pasador (en el protector de la base ©) en el orificio de la base (H) y, a continuación, cierre el protector de la base ©. Compruebe que el protector de la base © esté perfectamente fijado a la base (H).

KDL-50W82xB, KDL-50W81xB,
KDL-50W80xB, KDL-50W70xB

KDL-42W82xB, KDL-42W81xB,
KDL-42W80xB, KDL-42/32W70xB

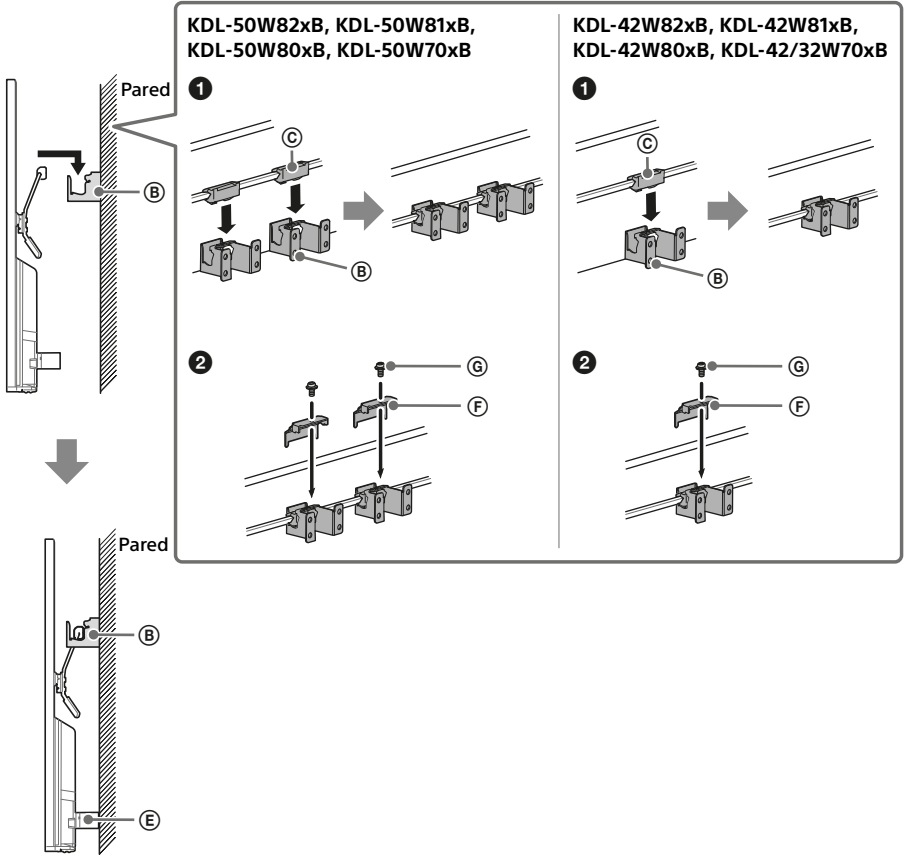


- 3 Fije la base (H) al televisor utilizando los tornillos (D) suministrados. Fije los separadores (E) en los orificios indicados por las marcas triangulares Δ. En este ejemplo se utiliza como referencia el modelo KDL-50W82xB, KDL-50W81xB, KDL-50W80xB, KDL-50W70xB.



Instalación del televisor en la pared

- 1 Asegúrese de conectar y recoger los cables antes de instalar el televisor en la pared.
- 2 Instale el televisor en la pared. A continuación, confirme que el protector de la base (C) esté correctamente encajado en la base del soporte (B) y que los separadores (E) estén en contacto con la pared. Fije la tapa del soporte (F) utilizando los tornillos (G) suministrados.



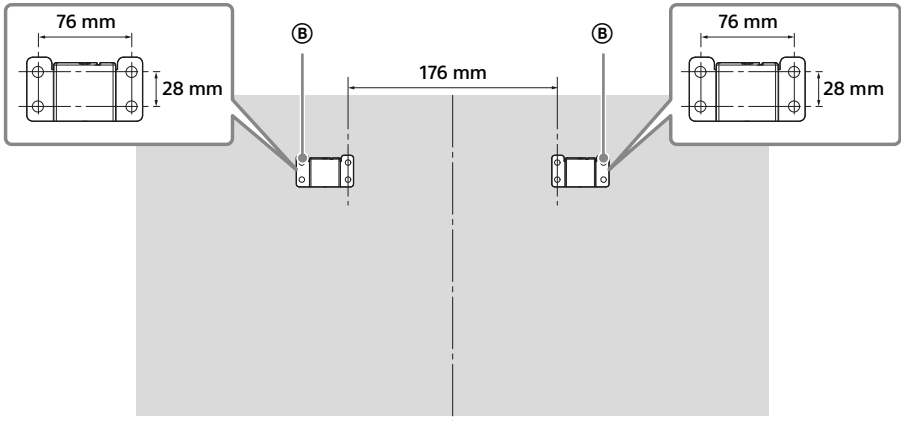
Dimensiones de las posiciones de los orificios en la pared

Proporcione la información siguiente a los proveedores con licencia cuando sea necesario.

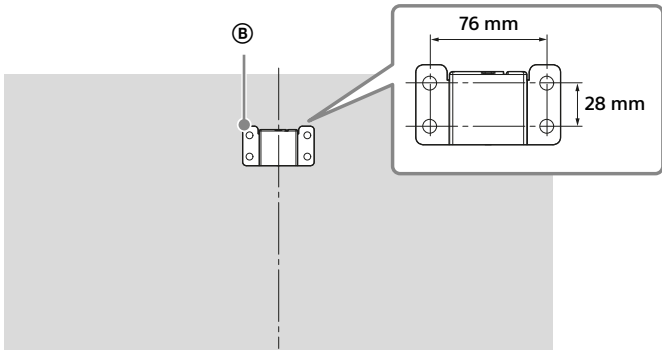
Utilice tornillos (8 mm de diámetro, no suministrados) para instalar la base del soporte ② en la pared. Para facilitar la instalación, asegúrese de utilizar la plantilla de papel ① suministrada con la indicación de la posición real de la base del soporte.

KDL-50W82xB, KDL-50W81xB, KDL-50W80xB, KDL-50W70xB

ES



KDL-42W82xB, KDL-42W81xB, KDL-42W80xB, KDL-42/32W70xB



Para consultar las instrucciones sobre la instalación del soporte de pared para su modelo de televisor, consulte el siguiente sitio web:

www.sony.eu/tv/wall-mount-bracket-manual

Solución de problemas

Quando el LED de iluminación parpadea de color rojo, cuente cuántas veces parpadea (el intervalo de tiempo es de tres segundos).

Si el LED de iluminación parpadea de color rojo, reinicie el televisor desconectando el cable de corriente del televisor durante dos minutos y, a continuación, encienda el televisor.

Si el problema continúa, póngase en contacto con su distribuidor o con su Centro de servicio técnico de Sony e indique cuántas veces parpadea en rojo el LED de iluminación (el intervalo es de tres segundos). Pulse I/⏻ en el televisor para apagarlo, desconecte el cable de corriente y póngase en contacto con su distribuidor o con su Centro de servicio técnico de Sony.

Quando el LED de iluminación no parpadea, compruebe los elementos de las tablas que se indican a continuación.

También puede consultar [Solución de problemas] en el i-Manual o realizar un autodiagnóstico seleccionando ? [Ayuda] → [Ayuda al cliente] → [Auto diagnóstico]. Si el problema continúa, lleve el televisor a un técnico cualificado para que lo revise.

Problemas y soluciones

Ausencia de imagen (la pantalla aparece oscura) y de sonido.

- Revise la conexión de la antena/cable.
- Conecte el televisor a la alimentación y, a continuación, pulse I/⏻ en el televisor o el mando a distancia.

No se puede sintonizar determinados programas.

- Compruebe la antena colectiva o parabólica.
- Es posible que haya un cortocircuito en el cable de satélite o que presente problemas de conexión. Compruebe la conexión con el cable y apague el televisor mediante el interruptor de encendido/apagado. A continuación, vuelva a encenderlo.
- La frecuencia introducida se sale del intervalo admitido. Consulte con la empresa responsable de la emisión por satélite.

No se encuentran servicios (programas) de televisión por cable.

- Compruebe la conexión del cable o la configuración de sintonización.
- Intente realizar la [Sintonía automática digital] seleccionando [Antena] en lugar de [Cable]

El mando a distancia no funciona.

- Cambie las pilas.
- Es posible que el televisor esté ajustado en el modo SYNC.
Pulse **SYNC MENU**, seleccione [Control de TVI] y, a continuación, seleccione [Inicio (Menú)] u [Opciones] para controlar el televisor.

Ha olvidado la contraseña de [Bloqueo TV].

- Introduzca 9999 como código PIN. (El código PIN 9999 siempre se acepta.)

La carcasa del televisor se calienta.

- Cuando se utiliza el televisor durante un largo período de tiempo, la carcasa del televisor se calienta.
Es posible que note el calor si la toca con la mano.

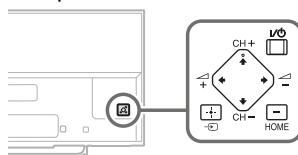
Audio o vídeo congelado, pantalla en blanco o televisor que no responde a los botones del televisor o el mando a distancia.

- Reinicie el televisor desconectando el cable de alimentación de CA durante dos minutos y conectándolo de nuevo.


No se encuentran los botones I/⏻, CH+/-, ▲+/-, ⬆️/⬇️/⬅️/➡️, ⏪, ⏩ y HOME en el televisor.

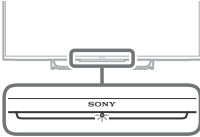
- En la siguiente ilustración verá la posición de estos botones en el televisor.

Parte posterior del televisor



El LED de iluminación está encendido.


- Si no desea que el LED de iluminación se encienda, puede apagarlo.
Pulse **HOME** y, a continuación, seleccione 
[Ajustes] → [Ajustes de sistema] →
[Configuración general] → [LED de iluminación]
→ [No]. También puede pulsar **OPTIONS** y, a
continuación, seleccionar [LED de iluminación] →
[No].



No es posible conectar con un router inalámbrico mediante WPS.

- Si utiliza seguridad WEP, seleccione [Fácil] → [Wi-Fi] → [Conectar por lista de búsqueda]. A continuación, seleccione el nombre de red (SSID) al que desea conectarse.

No se encuentra el nombre de red solicitado en la configuración de la red.

- Seleccione [[Definir manualmente]] y pulse  para introducir el nombre de la red.

Especificaciones

Sistema

Sistema de panel

Panel LCD (pantalla de cristal líquido),
Retroiluminación LED

Sistema de televisión

Analógico: En función del país/zona
seleccionado: B/G, D/K, L, I, M
Digital: DVB-T/DVB-C
DVB-T2

Satélite: DVB-S/DVB-S2

Sistema de color/vídeo

Analógico: PAL, SECAM, NTSC3.58, NTSC4.43
Digital: Consulte el i-Manual.

Cobertura de canales

Analógico: UHF/VHF/Cable, En función del país/
zona seleccionado.

Digital: UHF/VHF/Cable, En función del país/zona
seleccionado.

Satélite: Frecuencia IF 950-2150 MHz

Salida de sonido

8 W + 8 W (excepto el modelo KDL-32W70xB)

5 W + 5 W (sólo KDL-32W70xB)

Tecnología inalámbrica

Protocolo IEEE802.11a/b/g/n

Conectores de entrada/salida

Cable de la antena

Terminal externo de 75 ohmios para VHF/UHF

Antena de satélite

Conector tipo F hembra IEC169-24, 75 ohmios
DiSEqC 1.0, LNB 13 V/18 V y tono de 22 kHz,
Distribución de cable único EN50494.

/ AV1

Euroconector de 21 pines (norma CENELEC) con
entrada de audio/vídeo, entrada RGB y salida de
audio/vídeo de televisión.

/ COMPONENT IN

YPbPr (vídeo por componentes):
1080p (50, 60 Hz), 1080i (50, 60 Hz),
720p (50, 60 Hz), 576p, 576i, 480p, 480i
Entrada de audio (conectores fonográficos)

AV2

Entrada de vídeo (clavija fonográfica normal con
entrada Y)

HDMI IN 1, 2, 3, 4 (excepto el modelo

KDL-50/42/32W70xB)

Vídeo (2D): 1080p (30, 50, 60 Hz), 1080/24p, 1080i (50, 60 Hz), 720p (30, 50, 60 Hz), 720/24p, 576p, 576i, 480p, 480i, Formatos de PC

Vídeo (3D):

Compresión de fotogramas: 1080p (30 Hz),

1080/24p, 1080i (50, 60 Hz),

720p (30, 50, 60 Hz), 720/24p

Lado a lado: 1080p (50, 60 Hz),

1080/24p, 1080i (50, 60 Hz), 720p (50, 60 Hz)

Encima-debajo: 1080p (30, 50, 60 Hz), 1080/

24p, 1080i (50, 60 Hz), 720p (50, 60 Hz)

Audio: PCM lineal de 5,1 canales: 32, 44,1 y

48 kHz, 16, 20 y 24 bits, Dolby Digital

ARC (Audio Return Channel) (sólo HDMI IN 2)

HDMI IN 1, 2, 3, 4 (sólo KDL-50/42/32W70xB)

Vídeo: 1080p (30, 50, 60 Hz), 1080/24p,

1080i (50, 60 Hz), 720p (30, 50, 60 Hz),

720/24p, 576p, 576i, 480p, 480i, Formatos de PC

Audio: PCM lineal de 5,1 canales: 32, 44,1 y

48 kHz, 16, 20 y 24 bits, Dolby Digital

ARC (Audio Return Channel) (sólo HDMI IN 2)

MHL (normal con HDMI IN 1)

(excepto el modelo KDL-50/42/32W70xB)

Vídeo (2D): 1080p (30 Hz), 1080/24p,

1080i (50, 60 Hz), 720p (30, 50, 60 Hz),

720/24p, 576p, 576i, 480p, 480i

Vídeo (3D):

Lado a lado: 1080/24p, 1080i (50, 60 Hz),

720p (50, 60 Hz)

Encima-debajo: 1080p (30 Hz), 1080/24p,

1080i (50, 60 Hz), 720p (50, 60 Hz)

Audio: PCM lineal de 5,1 canales: 32, 44,1 y

48 kHz, 16, 20 y 24 bits, Dolby Digital

MHL (normal con HDMI IN 1)

(sólo KDL-50/42/32W70xB)

Vídeo: 1080p (30 Hz), 1080/24p, 1080i (50, 60 Hz),

720p (30, 50, 60 Hz), 720/24p, 576p, 576i, 480p,

480i



Audio: PCM lineal de 5,1 canales: 32, 44,1 y

48 kHz, 16, 20 y 24 bits, Dolby Digital

 DIGITAL AUDIO OUT (OPTICAL)

Toma digital óptica (PCM lineal de dos canales,

Dolby Digital)

 AUDIO OUT / 

Salida de audio (miniconector estéreo)

Toma de auriculares

(admite salida de subwoofer)

 1 (HDD REC),  2

Puerto USB de dispositivo de disco duro (sólo  1),

Porta USB



Ranura CAM (módulo de acceso condicional)

 DC IN 19.5 V

Entrada de adaptador

 LAN

Conector 10BASE-T/100BASE-TX (La velocidad de conexión puede variar según el entorno operativo de la red. No se garantizan la frecuencia y la calidad de comunicación de 10BASE-T/100BASE-TX para este televisor).

Otros

Accesorios opcionales

Control remoto táctil: RMF-ED004

Conjunto de cámara y micrófono: CMU-BR200/CMU-BR100

Subwoofer inalámbrico: SWF-BR100

Cable MHL: DLC-MB10/DLC-MB20/DLC-MC10/DLC-MC20

Gafas 3D activas: TDG-BT500A (sólo

KDL-50W82xB, KDL-50W81xB, KDL-50W80xB)



Gafas 3D pasivas: TDG-500P (sólo KDL-42W82xB, KDL-42W81xB, KDL-42W80xB)



Temperatura de funcionamiento

De 0 °C a 40 °C

Humedad de funcionamiento

10% - 80% RH (sin condensación)

Alimentación y otros aspectos

Requisitos de alimentación

CC de 19,5 V con adaptador de CA

Clasificación: Entrada 220 V - 240 V CA, 50 Hz

Categoría de eficiencia energética

KDL-50W82xB, KDL-50W81xB, KDL-50W80xB,

KDL-50W70xB: A++

KDL-42W82xB, KDL-42W81xB, KDL-42W80xB,

KDL-42W70xB: A+

KDL-32W70xB: A

Tamaño de la pantalla (medida diagonalmente)

(Aprox.)

KDL-50W82xB, KDL-50W81xB, KDL-50W80xB,

KDL-50W70xB: 50 pulgadas / 125,7 cm

KDL-42W82xB, KDL-42W81xB, KDL-42W80xB,

KDL-42W70xB: 42 pulgadas / 106,7 cm

KDL-32W70xB: 32 pulgadas / 80,1 cm

Consumo de energía

En el modo [Estándar]

KDL-50W82xB, KDL-50W81xB, KDL-50W80xB,
KDL-50W70xB: 51 W
KDL-42W82xB, KDL-42W81xB, KDL-42W80xB,
KDL-42W70xB: 50 W
KDL-32W70xB: 39 W

En el modo [Viva]

KDL-50W82xB, KDL-50W81xB, KDL-50W80xB,
KDL-50W70xB: 100 W
KDL-42W82xB, KDL-42W81xB, KDL-42W80xB,
KDL-42W70xB: 99 W
KDL-32W70xB: 80 W

Consumo medio de energía anual*1

KDL-50W82xB, KDL-50W81xB, KDL-50W80xB,
KDL-50W70xB: 71 kWh
KDL-42W82xB, KDL-42W81xB, KDL-42W80xB,
KDL-42W70xB: 69 kWh
KDL-32W70xB: 54 kWh

Consumo de energía en modo de espera*2

0,5 W (10 W en el modo de actualización del software/EPG)

Resolución de la pantalla

1.920 puntos (horizontal) × 1.080 líneas (vertical)

Dimensiones (Aprox.) (ancho × alto × fondo)

con el soporte de sobremesa

KDL-50W82xB, KDL-50W81xB, KDL-50W80xB,
KDL-50W70xB: 111,6 × 69,3 × 17,9 cm
KDL-42W82xB, KDL-42W81xB, KDL-42W80xB,
KDL-42W70xB: 95,8 × 60,0 × 17,0 cm
KDL-32W70xB: 72,9 × 46,5 × 14,1 cm

sin el soporte de sobremesa

KDL-50W82xB, KDL-50W81xB, KDL-50W80xB,
KDL-50W70xB: 111,6 × 65,6 × 6,4 cm
KDL-42W82xB, KDL-42W81xB, KDL-42W80xB,
KDL-42W70xB: 95,8 × 56,3 × 6,4 cm
KDL-32W70xB: 72,9 × 43,3 × 6,4 cm

Peso (Aprox.)

con el soporte de sobremesa

KDL-50W82xB, KDL-50W81xB, KDL-50W80xB,
KDL-50W70xB: 14,8 kg
KDL-42W82xB, KDL-42W81xB, KDL-42W80xB,
KDL-42W70xB: 11,7 kg
KDL-32W70xB: 7,9 kg

sin el soporte de sobremesa

KDL-50W82xB, KDL-50W81xB, KDL-50W80xB,
KDL-50W70xB: 13,6 kg
KDL-42W82xB, KDL-42W81xB, KDL-42W80xB,
KDL-42W70xB: 10,5 kg
KDL-32W70xB: 6,9 kg

- *1 Consumo de energía al año, con el televisor funcionando 4 horas al día durante 365 días. El consumo de energía real depende de la frecuencia de uso del televisor.
- *2 El consumo de energía en modo de espera especificado se alcanza cuando el televisor termina los procesos internos necesarios.

Nota

- La "x" que aparece en el nombre del modelo corresponde a los dígitos numéricos que hacen referencia al diseño, al sistema de color o de televisión.
- No quite la tarjeta de protección de la ranura del CAM (módulo de acceso condicional) del televisor, a menos que vaya a introducir una tarjeta inteligente compatible en el CAM.
- La disponibilidad de los accesorios opcionales depende del país, la región, el modelo de televisor y las existencias.
- El diseño y las especificaciones están sujetos a cambios sin previo aviso.
- Este televisor incluye MHL 2.

Nota sobre la función de Televisión digital

- Toda función relacionada con la Televisión digital (DVB) sólo funcionará en los países o zonas donde se emitan señales digitales terrestres DVB-T/DVB-T2 (MPEG-2 y H.264/MPEG-4 AVC) o donde pueda acceder a un servicio de cable DVB-C (MPEG-2 y H.264/MPEG-4 AVC) compatible. Compruebe con su distribuidor local si puede recibir la señal DVB-T/DVB-T2 en su vivienda o pregunte a su operador de cable si su servicio de cable DVB-C puede funcionar de manera integrada con este televisor.
- El operador de cable puede cobrar por dicho servicio o exigirle que acepte sus términos y condiciones comerciales.
- Este televisor cumple las especificaciones de DVB-T/DVB-T2 y DVB-C, pero no se puede garantizar la compatibilidad con futuras emisiones digitales terrestres DVB-T/DVB-T2 y emisiones digitales por cable DVB-C.
- Es posible que algunas funciones de la televisión digital no estén disponibles en algunos países/regiones y que el cable DVB-C no funcione correctamente con algunos proveedores.

Información sobre las marcas comerciales

- Los términos HDMI y High-Definition Multimedia Interface y el logotipo HDMI son marcas comerciales o marcas comerciales registradas de HDMI Licensing LLC en Estados Unidos y en otros países.
- DLNA®, el logotipo de DLNA y DLNA CERTIFIED® son marcas comerciales, marcas de servicio o marcas de certificación de Digital Living Network Alliance.
- Fabricado con la licencia de Dolby Laboratories. Dolby y el símbolo de la doble D son marcas comerciales de Dolby Laboratories.
- "BRAVIA" y BRAVIA son marcas comerciales de Sony Corporation.
- TrackID es una marca comercial o marca comercial registrada de Sony Mobile Communications AB.
- Gracenote, Gracenote eyeQ, Gracenote VideoID, Gracenote Video Explore, Gracenote MusicID, el logotipo de Gracenote y el logotipo "Powered by Gracenote" son marcas comerciales registradas o marcas comerciales de Gracenote en Estados Unidos y/u otros países.
- Opera® Devices SDK from Opera Software ASA. Copyright 1995-2014 Opera Software ASA. All rights reserved.
- Wi-Fi, Wi-Fi Direct y Miracast son marcas comerciales o marcas comerciales registradas de Wi-Fi Alliance.
- El logotipo de "Sony Entertainment Network" y "Sony Entertainment Network" son marcas comerciales de Sony Corporation.
- MHL, Mobile High-Definition Link y el logotipo de MHL son marcas comerciales o marcas comerciales registradas de MHL Licensing, LLC.
- Para obtener información sobre las patentes DTS, consulte <http://patents.dts.com>. Fabricado con licencia de DTS Licensing Limited. DTS, su símbolo y DTS y el símbolo son marcas comerciales registradas y DTS Digital Surround es una marca comercial de DTS, Inc. © DTS, Inc. Todos los derechos reservados.
- Designed with UEI Technology™ Under License from Universal Electronics Inc. Portions © UEI 2000 – 2013
- Los logotipos y el nombre de la marca Bluetooth® son propiedad de Bluetooth SIG, Inc. y el uso de dichas marcas por parte de Sony Corporation es siempre con la licencia correspondiente. El resto de marcas comerciales y nombres comerciales son propiedad de sus respectivos propietarios.
- DiSEqC™ es una marca comercial de EUTELSAT. Este televisor es compatible con DiSEqC 1.0. Este televisor no está pensado para controlar antenas motorizadas.
- Es posible que algunas funciones de la televisión digital no estén disponibles en algunos países/regiones y que el cable DVB-C no funcione correctamente con algunos proveedores.

Inhoudsopgave

BELANGRIJK BERICHT	2
Veiligheidsinformatie	3
Voorzorgsmaatregelen	5
De televisie aan een muur bevestigen.	7
De steun aan de muur bevestigen	8
De nodige voorbereidingen treffen voor het bevestigen van de televisie.	11
De televisie aan de muur bevestigen	12
Problemen oplossen	14
Problemen en oplossingen	14
Specificaties	15

Inleiding

Bedankt dat u hebt gekozen voor dit Sony product. Alvorens de televisie te gebruiken, dient u deze handleiding volledig door te lezen. Bewaar de handleiding voor raadpleging in de toekomst.

Opmerken

- Lees het onderdeel "Veiligheidsinformatie" (pagina 3) voor u de televisie gebruikt.
- Instructies voor het "De televisie aan een muur bevestigen" staan vermeld in de gebruiksaanwijzing van deze televisie.
- De afbeeldingen en illustraties die gebruikt worden in de handleiding Snel aan de slag en in deze handleiding gelden uitsluitend als referentie en kunnen verschillen van het eigenlijke product.

Locatie van het identificatielabel

Het label met het modelnummer, de productiedatum (maand/jaar) en de voedingsklasse van de televisie bevinden zich op de achterkant van de televisie of de verpakking.

Het label voor het modelnummer en het serienummer van de netadapter bevinden zich op de onderkant van de netadapter.

WAARSCHUWING

OM DE VERSPREIDING
VAN VUUR TEGEN TE
GAAN, HOUDT U KAARSEN OF
ANDERE VUURHAARDEN
ALTIJD UIT DE BUURT VAN DIT
PRODUCT.



BELANGRIJK BERICHT

Dit product werd geproduceerd door of in opdracht van Sony Corporation, 1-7-1 Konan Minato-ku Tokyo, 108-0075 Japan. Vragen met betrekking tot product conformiteit gebaseerd op EU-wetgeving kunnen worden gericht aan de gemachtigde vertegenwoordiger, Sony Deutschland GmbH, Hedelfinger Strasse 61, 70327 Stuttgart, Duitsland. Voor service- of garantie zaken verwijzen wij u door naar de adressen in de afzonderlijke service of garantie documenten.

Opmerking voor draadloos signaal



Hierbij verklaart Sony Corporation dat het toestel in overeenstemming is met de essentiële eisen en de andere relevante bepalingen van richtlijn 1999/5/EG. Nadere informatie kunt u vinden op: <http://www.compliance.sony.de/>

Opmerking voor klanten: de volgende informatie is enkel van toepassing voor apparaten die verkocht worden in landen die de EU-richtlijnen in acht nemen.

Het draadloze systeem van een tv kan worden gebruikt in de volgende landen:

AT, BE, HR, CY, CZ, DK, EE, FI, FR, DE, GR, HU, IE, IT, LV, LT, LU, MT, NL, PL, PT, SK, SI, ES, SE, GB, IS, LI, NO, CH, BG, RO, TR, AL, BA, MK, MD, RS, ME

Deze apparatuur kan worden gebruikt in andere niet-Europese landen.

Veiligheidsinformatie

WAARSCHUWING

Batterijen mogen niet worden blootgesteld aan te hoge temperaturen, bijvoorbeeld zonnenschijn, vuur en dergelijke.

Installatie/configuratie

Installeer en gebruik de televisie volgens de instructies hieronder om het risico op brand, elektrische schok, schade en/of letsel te vermijden.

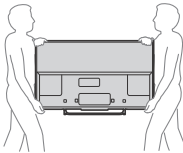
Installatie

- Het televisietoestel moet in de buurt van een goed toegankelijk stopcontact worden geplaatst.
- Plaats de televisie op een stabiel, effen oppervlak om te vermijden dat hij valt en letsel of schade aan de televisie veroorzaakt.
- Laat wandinstallaties alleen door gekwalificeerd servicepersoneel uitvoeren.
- Het wordt om veiligheidsredenen aanbevolen accessoires van Sony te gebruiken, zoals:
 - Wandmontagesteun
- Gebruik de schroeven die bij de wandmontagesteun geleverd zijn voor het bevestigen van de montagehaken (standaard) aan het televisietoestel. De bijgeleverde schroeven zijn ontworpen zoals aangegeven op de afbeelding, wanneer gemeten vanaf het bevestigingsoppervlak van de montagehaak (standaard). De diameter en de lengte van de schroeven verschillen naar gelang het model van de wandmontagesteun. Het gebruik van andere schroeven dan de meegeleverde schroeven kan resulteren in interne schade van het televisietoestel of kan ertoe leiden dat de televisie valt enz.



Transport

- Voordat u het televisietoestel transporteert, moet u alle snoeren loskoppelen.
- Voor het transport van een groot televisietoestel zijn twee of drie personen nodig.
- Wanneer de televisie met de hand wordt gedragen, dient u deze als volgt vast te houden. Druk niet tegen het LCD-scherm en het kader rond het scherm.



- Wanneer u het televisietoestel vervoert, mag u dit niet blootstellen aan schokken of sterke trillingen.
- Als u het televisietoestel naar de reparateur brengt of vervoert, verpakt u het in de oorspronkelijke doos en verpakkingsmaterialen.

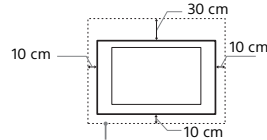
Voorkomen dat de televisie valt

- Voordat u de kolomschroef installeert, legt u het scherm met de voorzijde naar beneden gericht op een stabiel werkoppervlak dat groter is dan de tv.
- Om schade aan het oppervlak van het LCD-scherm te voorkomen, dient u een zacht stuk stof op het werkoppervlak te plaatsen.

Ventilatie

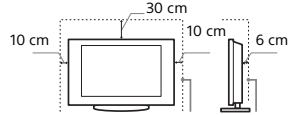
- Bedek nooit de ventilatie-openingen en steek nooit iets daardoor naar binnen.
- Houd ruimte vrij rond het televisietoestel zoals hierna wordt aangegeven.
- Het wordt aanbevolen de wandmontagesteun van Sony te gebruiken voor een goede luchtcirculatie.

Installatie aan de wand



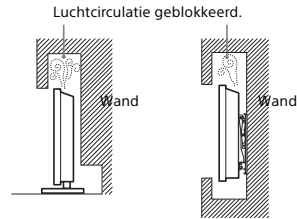
Houd minimaal deze ruimte vrij rond het toestel.

Installatie op de standaard



Houd minimaal deze ruimte vrij rond het toestel.

- Voor een goede ventilatie en om ophoping van vuil en stof te voorkomen:
 - Plaats het televisietoestel niet plat op de grond en installeer het niet ondersteboven, achterstevoren of gedraaid.
 - Installeer het televisietoestel niet op een plank, kled, bed of in een kast.
 - Dek het televisietoestel niet af met een doek, zoals gordijnen, of voorwerpen als kranten enz.
 - Installeer het televisietoestel niet zoals hierna wordt getoond.



Netsnoer

- Hanteer het netsnoer en het stopcontact als volgt om het risico op brand, elektrische schok of schade en/of letsel te vermijden:
- Gebruik alleen Sony-netsnoeren en geen netsnoeren van andere leveranciers.
 - Steek de stekker volledig in het stopcontact.
 - Gebruik het televisietoestel uitsluitend op een wisselspanning van 220-240 V.
 - Koppel voor alle veiligheid het netsnoer los als u de kabels aansluit en let erop dat u niet over de kabels striuikelt.
 - Verwijder het netsnoer uit het stopcontact voordat er werkzaamheden aan het televisietoestel worden uitgevoerd of het wordt verplaatst.
 - Houd het netsnoer uit de buurt van warmtebronnen.
 - Verwijder de stekker uit het stopcontact en reinig deze regelmatig. Indien de stekker wordt bedekt door stof of vocht, kan de isolatie verslechteren, hetgeen brand kan veroorzaken.

Opmerken

- Gebruik het meegeleverde netsnoer niet voor andere apparatuur.
- Zorg dat het netsnoer niet te veel wordt afgeklemd, gebogen of gedraaid. Hierdoor kunnen de draden worden blootgelegd of doorgesneden.
- Pas het netsnoer niet aan.
- Plaats geen zware voorwerpen op het netsnoer.
- Trek nooit aan het netsnoer zelf als dit wordt losgekoppeld.
- Sluit niet te veel apparaten aan op hetzelfde stopcontact.
- Gebruik geen stopcontact waarbij de stekker slecht contact maakt.

OPMERKING OVER STROOMADAPTER

Waarschuwing

Stel dit toestel niet bloot aan regen of vocht om het risico op brand of een elektrische schok te vermijden. Plaats geen voorwerpen die met een vloeistof gevuld zijn, zoals een vaas, op het toestel om brand of een elektrische schok te vermijden. Installeer dit apparaat niet in een besloten ruimte zoals een boekenrek of dergelijke.

- Zorg ervoor dat het stopcontact zich in de buurt van het toestel bevindt en gemakkelijk bereikbaar is.
- Gebruik de stroomadapter en het netsnoer die bij de televisie zijn geleverd.
- Gebruik geen andere stroomadapter. Dit kan een storing veroorzaken.
- Sluit de stroomadapter aan op een gemakkelijk bereikbaar stopcontact.
- Rol het netsnoer niet op rond de stroomadapter. De draad kan doorgesneden worden en/of dit kan een storing van de mediaontvanger veroorzaken.



- Raak de stroomadapter niet met natte handen aan.
- Als u iets abnormaals aan de stroomadapter opmerkt, verwijder deze dan meteen uit het stopcontact.
- Zolang als de stekker van het toestel in het stopcontact steekt, is het toestel niet afgekoppeld van het net, zelfs als het is uitgeschakeld.
- Bij langdurig gebruik kan de stroomadapter warm worden. De adapter kan heet aanvoelen als u deze met de hand aanraakt.

Verboden gebruik

Installeer/gebruik het televisietoestel niet op locaties, in omgevingen of situaties die hierna worden weergegeven. Het televisietoestel kan dan slecht gaan functioneren en brand, elektrische schok, schade en/of letsel veroorzaken.

Locatie:

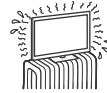
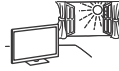
- Buiten (in direct zonlicht), aan de kust, op een schip of ander vaartuig, in een voertuig, in medische instellingen, op instabiele locaties, in de buurt van water, regen vocht of rook.
- Als de tv in de kleedkamer van een openbare badruimte of hete bron wordt gehangen, kan de tv beschadigd worden door zwavel in de lucht.



- Om de beste beeldkwaliteit te garanderen, mag u het scherm niet blootstellen aan rechtstreekse lichtstralen of zonlicht.
- Vermijd het verplaatsen van de tv van een koude plaats naar een warme plaats. Plote veranderingen in de kamertemperatuur kunnen condensatie veroorzaken. Dat kan ervoor zorgen dat de beeld- en/of kleurkwaliteit van de tv slecht is. Als dat het geval is, dient u het vocht volledig te laten verdampen voordat u de tv inschakelt.

Omgeving:

- Locaties die heet, vochtig of zeer stoffig zijn; waar insecten kunnen binnendringen; waar het toestel kan worden blootgesteld aan mechanische trillingen, in de buurt van brandbare voorwerpen (kaarsen enz.). Stel het televisietoestel niet bloot aan druppels of spetters en plaats geen met vloeistof gevulde voorwerpen, zoals vazen, op het toestel.
- Plaats de tv niet in een vochtige of stoffige ruimte, of in een kamer met oliehoudende rook of stoom (in de nabijheid van kookplaten of bevochtigers). Dat kan leiden tot brand, elektrische schokken of vervorming.
- Installeer de tv niet op plaatsen die blootgesteld zijn aan extreme temperaturen zoals in direct zonlicht of nabij een radiator of een warmtekanal. De tv kan oververhit raken in dergelijke omstandigheden waardoor de kast kan vervormen en/of storingen van de tv kunnen ontstaan.



Situatie:

- Gebruik het toestel niet als u natte handen heeft, als de kast is verwijderd of met bevestigingen die niet worden aangeraden door de fabrikant. Verwijder de stekker van het televisietoestel uit het stopcontact en ontkoppel de antenne tijdens onweer.
- Installeer de tv niet zodat deze uitsteekt in een open ruimte. Als een persoon of voorwerp tegen de tv botst, kan dat tot letsel of schade leiden.



Gebroken glas:

- Gooi niets tegen het televisietoestel. Het schermglas kan breken door de impact en ernstig letsel veroorzaken.
- Als het scherm van het televisietoestel barst, mag u het toestel pas aanraken nadat u de stekker uit het stopcontact hebt getrokken. Anders bestaat er gevaar op elektrische schokken.

Wanneer de televisie niet wordt gebruikt

- Als u het televisietoestel een aantal dagen niet gebruikt, dan moet het worden losgekoppeld van de netspanning vanwege milieu- en veiligheidsredenen.
- Als het televisietoestel nog onder spanning staat wanneer het niet is uitgeschakeld, trekt u de stekker uit het stopcontact om het televisietoestel volledig uit te schakelen.
- Bepaalde televisietoestellen kunnen over functies beschikken waarvoor het toestel in de stand-by stand moet blijven om correct te werken.

Voor kinderen

- Zorg dat kinderen niet op het televisietoestel klimmen.
- Houd kleine accessoires buiten het bereik van kinderen, zodat deze niet kunnen worden ingeslikt.

In het geval de volgende problemen optreden...

Schakel het televisietoestel uit en verwijder onmiddellijk de netstekker uit het stopcontact als een van de volgende problemen optreedt.

Vraag uw dealer of Sony-servicecentrum het toestel te laten nakijken door gekwalificeerd servicepersoneel.

In het geval:

- het netsnoer is beschadigd.
- het netsnoer niet goed past.
- het televisietoestel is beschadigd omdat het is gevallen, er tegenaan is geslagen of er iets naar is gegooid.
- een vloeibaar of vast voorwerp door de openingen in de kast terecht is gekomen.

Over de LCD Monitortemperatuur

Wanneer de LCD Monitor langdurig wordt gebruikt, wordt de ruimte rond het beeldscherm warm. U kunt daar warmte voelen bij aanraking met de hand.

WANDMONTAGESTEUN

De onderstaande informatie geeft uitleg over het correcte gebruik van de wandmontagesteun. Lees deze informatie aandachtig en gebruik de wandmontagesteun op een correcte manier.

Aan klanten:

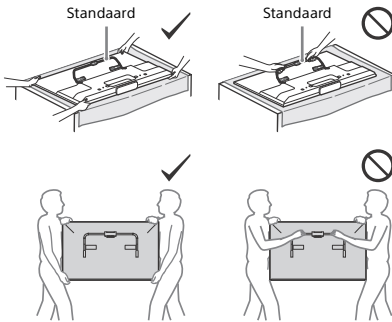
Houd rekening met de onderstaande veiligheidsmaatregelen om een ernstig letsel door brand, elektrische schok, omvallen of vallen van het product te vermijden.

- Laat de installatie door een erkende installateur uitvoeren en houd kleine kinderen tijdens de installatie uit de buurt.
- Vraag een erkende installateur om de televisie te verplaatsen of demonteren.
- Verwijder geen schroeven enz. na de installatie van de televisie.
- Wijzig de onderdelen van de wandmontagesteun niet.
- Installeer geen ander toestel dan het vermelde product.
- Plaats geen ander gewicht dan de televisie op de wandmontagesteun.
- Leun of hang niet op de televisie.
- Oefen geen kracht uit op de televisie tijdens reiniging of onderhoud.

Aan Sony-dealers en installateurs:

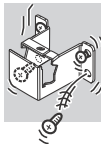
De onderstaande instructies zijn uitsluitend bedoeld voor Sony-dealers en installateurs. Lees de hieronder omschreven veiligheidsmaatregelen aandachtig en wees voorzichtig tijdens de installatie, het onderhoud en de controle van dit product.

- Neem altijd de zijkanalen van de televisie vast als u deze verplaatst of installeert. Til de televisie nooit op door deze vast te nemen bij de standaard.



- Installeer de wandmontagesteun niet op muropervlakken waarbij de hoeken of zijkanalen van de televisie uitsteken.

- Installeer de televisie niet boven of onder een airconditioner.
- Bevestig de wandmontagesteun stevig aan de muur volgens de instructies in deze gebruiksaanwijzing. Als een van de schroeven los zit of valt, kan de wandmontagesteun vallen, met letsel of beschadiging van eigendommen tot gevolg.
- Gebruik de bijgeleverde schroeven en montageonderdelen op de juiste manier volgens de instructies in deze gebruiksaanwijzing. Als u andere onderdelen gebruikt, kan de televisie vallen, met lichamelijke letsel of beschadiging van de televisie tot gevolg.
- Zorg ervoor dat u de steun correct monteert volgens de instructies in deze gebruiksaanwijzing.
- Maak de schroeven stevig vast in de aangeduide positie.
- Vermijd schokken aan de televisie tijdens de installatie.
- Installeer de televisie op een loodrechte en vlakke muur.



- Maak na een correcte installatie van de televisie de kabels op de juiste manier vast.
- Zorg ervoor dat het netsnoer en de verbindingskabels niet gekneld raken. Als dit het geval is, kan de interne bedrading namelijk komen bloot te liggen, met mogelijk een kortsluiting of stroomonderbreking tot gevolg.



Voorzorgsmaatregelen

Televisie kijken

- Sommige mensen kunnen ongemakken ervaren (vermoeide ogen, vermoeidheid of misselijkheid) bij het bekijken van 3D-beelden of het spelen van stereoscopische 3D-games. Sony raadt alle gebruikers aan regelmatig rustpauzes in te laten bij het bekijken van 3D-beelden of het spelen van stereoscopische 3D-games. De lengte en de frequentie van de nodige rustpauzes variëren van persoon tot persoon. U moet zelf beslissen wat voor u het best is. Als u ongemakken ervaart, dient u het bekijken van 3D-beelden of het spelen van stereoscopische 3D-games stop te zetten tot het ongemak over is. Raadpleeg indien nodig een dokter. Raadpleeg eveneens (i) de gebruiksaanwijzing van alle andere apparaten of media die u gebruikt in combinatie met deze tv en (ii) onze website (<http://support.sony-europe.com/>) voor de recentste informatie. De ogen van jonge kinderen (vooral jonger dan zes jaar) zijn nog steeds in ontwikkeling. Raadpleeg een arts (bv. een kinderarts of oogarts) voor u jonge kinderen 3D-beelden laat bekijken of stereoscopische 3D-games laat spelen. Volwassen dienen ervoor te zorgen dat jonge kinderen de bovenstaande aanbevelingen opvolgen.
- Gebruik of bewaar de 3D Bril of de batterij niet in de buurt van vuur of op plaatsen met een hoge temperatuur, bv. in direct zonlicht of in een auto die in de zon staat.
- Wanneer u de gesimuleerde 3D-functie gebruikt, dient u er rekening mee te houden dat het weergegeven beeld niet helemaal gelijk is aan het oorspronkelijke beeld ten gevolge van de conversie die door de televisie wordt uitgevoerd.
- Kijk televisie met gedempt licht, omdat televisie kijken in het donker of gedurende een lange periode de ogen extra belast.
- Als u een hoofdteléfono gebruikt, mag u het volume niet te hoog zetten om gehoorbeschadiging te voorkomen.

LCD-scherm

- Hoewel het LCD-scherm is vervaardigd met precisietechnologie en 99,99% of meer van de pixels werken, kunnen er toch donkere of heldere puntjes (rood, blauw of groen) permanent zichtbaar zijn op het LCD-scherm. Dit is een structureel kenmerk van een LCD-scherm en duidt niet op een defect.
- Druk en kras niet op het scherm en plaats geen voorwerpen op het televisietoestel. Het beeld kan hierdoor vervormen of het LCD-scherm kan beschadigen.
- Als het televisietoestel op een koude plaats wordt gebruikt, kan het beeld vlekkelig of donker zijn. Dit wijst niet op een storing. Dit verschijnsel verdwijnt wanneer de temperatuur stijgt.
- Bij langdurige weergave van stilstaande beelden kunnen spookbeelden optreden. Deze kunnen na enige tijd verdwijnen.
- Het scherm en de kast worden warm als het televisietoestel wordt gebruikt. Dit duidt niet op een defect.
- Het LCD-scherm bevat een kleine hoeveelheid vloeibare kristallen en kwik. Gooi het toestel weg volgens de geldende lokale wetgeving en voorschriften.

Schermpoppervlak/kast van het televisietoestel behandelen en reinigen

- Zorg er om veiligheidsredenen voor dat u het netsnoer van het televisietoestel loskoppelt voordat u het reinigt.
- Neem de volgende voorzorgsmaatregelen in acht om verkleuring of beschadiging van het materiaal of de coating van het scherm te voorkomen.
- Reinig het scherpoppervlak/de kast met een zachte doek om stof te verwijderen. Bevochtig een zachte doek licht met een verdund reinigingsmiddel bij hardnekkige stofvorming.

- Sproei nooit water of schoonmaakmiddelen rechtstreeks op de tv. Dit kan naar de onderzijde van het scherm lopen of op uitwendige onderdelen terecht komen en de tv binnendringen, waardoor de tv kan beschadigd raken.



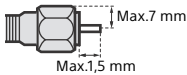
- Gebruik geen schuursponsje, alkalisch/zuurhoudend reinigingsmiddel, schuurpoeder of vluchtig oplosmiddel, zoals alcohol, benzeen, thinner of insectenbestrijdingsmiddel. Het gebruik van dergelijke materialen of het langdurig in aanraking komen met rubber- of vinylmaterialen kan beschadiging van het schermoppervlak en het materiaal van de kast tot gevolg hebben.
- Het wordt aanbevolen de ventilatie-openingen regelmatig met de stofzuiger te reinigen om een goede ventilatie te handhaven.
- Als u de hoek van het televisietoestel aanpast, moet u het toestel langzaam verplaatsen om te voorkomen dat het televisietoestel van de standaard schiet.

Optionele apparatuur

- Plaats optionele onderdelen of apparatuur die elektromagnetische straling uitzendt op een afstand van het televisietoestel. Anders kan beeldvervalsing en/of ruis optreden.
- Dit toestel is getest en compatibel bevonden met de limieten vermeld in de EMC-richtlijn voor het gebruiken van een verbindingssignaalkabel korter dan 3 meter.

Aanbeveling voor de F-stekker

De binnenste kabel mag maximaal 1,5 mm uit het aansluitingsdeel steken.



(Referentieafbeelding van de F-stekker)

Waarschuwing bij gebruik van de afstandsbediening

- Let op de + en de - bij het plaatsen van de batterijen.
- Combineer geen verschillende typen batterijen, of oude en nieuwe batterijen.
- Gooi oude batterijen niet gewoon weg, maar lever ze in. In bepaalde regio's kan het verwerken van batterijen aan regels zijn gebonden. Neem hiervoor contact op met de lokale autoriteiten.
- Hanteer de afstandsbediening met zorg. Laat de afstandsbediening niet vallen, ga er niet op staan en mors er geen vloeistof op.
- Plaats de afstandsbediening niet in de buurt van een warmtebron, op een plek in direct zonlicht of in een vochtige ruimte.

Draadloze functie van het toestel

- Gebruik dit apparaat niet in de buurt van medische apparatuur (pacemaker, enz.), aangezien de medische apparatuur beschadigd kan worden.
- De signalen die dit toestel verzendt/ontvangt zijn gecodeerd, maar toch dient u voorzichtig te zijn met onrechtmatige interceptie. Wij kunnen niet verantwoordelijk worden gesteld voor mogelijke problemen ten gevolge hiervan.

WANDMONTAGESTEUN

- Als u de televisie langere tijd gebruikt terwijl deze aan de wandmontagesteun is bevestigd, kan de muur achter of boven de televisie verkleuren en kan het behang losraken, afhankelijk van het materiaal waaruit de muur bestaat.
- Als u de wandmontagesteun verwijdert nadat u deze aan de muur hebt bevestigd, dan blijven de schroefgaten zichtbaar.
- Gebruik de wandmontagesteun niet op plaatsen waar deze wordt blootgesteld aan mechanische trillingen.

Wegwerpen van het televisietoestel



Verwijdering van oude elektrische en elektronische apparaten (van toepassing in de Europese Unie en andere Europese landen met gescheiden inzamelingsystemen)

Dit symbool op het product of op de verpakking wijst erop dat dit product niet als huishoudelijk afval mag worden behandeld.

Het moet echter naar een inzamelingspunt worden gebracht waar elektrische en elektronische apparatuur wordt gerecycled. Als u ervoor zorgt dat dit product op de correcte manier wordt verwerkt, helpt u mogelijke negatieve gevolgen voor mens en milieu die zouden kunnen veroorzakt worden in geval van verkeerde afvalbehandeling te voorkomen. Het recyclen van materialen draagt bij tot het behoud van natuurlijke bronnen. Voor meer details in verband met het recyclen van dit product, kan u contact opnemen met de gemeentelijke instanties, de organisatie belast met de verwijdering van huishoudelijk afval of de winkel waar u het product hebt gekocht.



Verwijdering van oude batterijen (van toepassing in de Europese Unie en andere Europese landen met afzonderlijke inzamelingsystemen)

Dit symbool op de batterij of op de verpakking wijst erop dat de batterij, meegeleverd met van dit product niet als huishoudelijk afval behandeld mag worden. Op sommige batterijen kan dit symbool gebruikt worden in combinatie met een chemisch symbool. Het chemisch symbool voor kwik (Hg) of lood (Pb) wordt toegevoegd wanneer de batterij meer dan 0,0005 % kwik of 0,004 % lood bevat. Door deze batterijen op juiste wijze af te voeren, helpt u mogelijke negatieve gevolgen voor mens en milieu die zouden kunnen veroorzakt worden in geval van verkeerde afvalbehandeling te voorkomen. Het recyclen van materialen draagt bij tot het behoud van natuurlijke bronnen. In het geval dat de producten om redenen van veiligheid, prestaties dan wel in verband met data-integriteit een permanente verbinding met een ingebouwde batterij vereisen, mag deze batterij enkel door gekwalificeerd servicepersoneel vervangen te worden. Om ervoor te zorgen dat de batterij op een juiste wijze zal worden behandeld, dient het product aan het eind van zijn levenscyclus overhandigd te worden aan het desbetreffende inzamelingspunt voor de recyclage van elektrisch en elektronisch materiaal. Voor alle andere batterijen verwijzen we u naar het hoofdstuk over hoe de batterij veilig uit het product te verwijderen. Overhandig de batterij aan het desbetreffende inzamelingspunt voor de recyclage van batterijen. Voor meer details in verband met het recyclen van dit product of batterij, kan u contact opnemen met de gemeentelijke instanties, de organisatie het belast met de verwijdering van huishoudelijk afval of de winkel waar u het product hebt gekocht.

De televisie aan een muur bevestigen

NL

Aan de klanten

Voor de installatie van dit product is de nodige expertise vereist. Besteed de installatie uit aan een Sony-verdeler of bevoegde installateur, en schenk tijdens de installatie extra aandacht aan de veiligheid. Sony kan niet aansprakelijk worden gesteld voor schade of letsels als gevolg van onjuist handelen, een onjuiste installatie of de installatie van een ander product dan opgegeven. Uw wettelijke rechten (indien van toepassing) worden niet aangetast.

Aan Sony-verdelers en installateurs

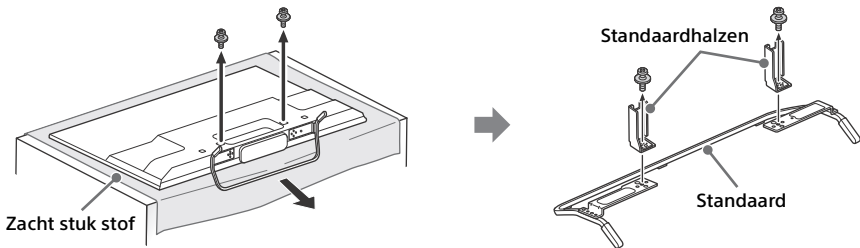
Voor de installatie van dit product is de nodige expertise vereist. Lees deze gebruiksaanwijzing aandachtig zodat u de installatie veilig kunt uitvoeren. Sony kan niet aansprakelijk worden gesteld voor schade of letsels als gevolg van onjuist handelen of een onjuiste installatie.

De tafelstandaard van uw televisie wordt gebruikt als onderdeel van de wandmontagesteun.

Opmerken

- Zie het onderdeel WANDMONTAGESTEUN op pagina 3 (Veiligheidsinformatie) en pagina 5 (Voorzorgsmaatregelen) vooraleer u de wandmontagesteun installeert.
- Als de tafelstandaard bevestigd is aan de televisie, maakt u deze vooraf los.
- Plaats bij het bevestigen of verwijderen van de tafelstandaard de televisie met het scherm naar beneden op een vlak en stabiel oppervlak dat is bedekt met een dikke en zachte doek die groter is dan de televisie. Zo vermijdt u schade aan het oppervlak van het lcd-scherm.
- Wanneer de standaardhalzen losgemaakt zijn van de standaard, dient u de halzen en de schroeven op een veilige plaats te bewaren.
- Wanneer u de tafelstandaard opnieuw bevestigt, schroeft u de (eerder verwijderde) schroeven vast in de oorspronkelijke openingen aan de achterzijde van de televisie.
- Zorg ervoor dat de televisie verticaal geplaatst is voor u deze inschakelt. U mag de televisie niet inschakelen wanneer het LCD-scherm naar beneden gericht is om een oneven beelduniformiteit te voorkomen.

De tafelstandaard losmaken van de televisie

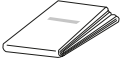


De steun aan de muur bevestigen

1 Leg de nodige items klaar.

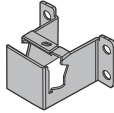
Accessoires bij de wandmontagesteun (bijgeleverd)

A Papieren sjabloon



B Wandmontagebasis

KDL-50W82xB,
KDL-50W81xB,
KDL-50W80xB,
KDL-50W70xB (2)
KDL-42W82xB,
KDL-42W81xB,
KDL-42W80xB,
KDL-42/32W70xB (1)



C Standaardbescherming

KDL-50W82xB,
KDL-50W81xB,
KDL-50W80xB,
KDL-50W70xB (2)
KDL-42W82xB,
KDL-42W81xB,
KDL-42W80xB,
KDL-42/32W70xB (1)



D Schroef
(+PSW 6 x 12) (2)



E Afstandhouder (2)



F Beugelkapplaat

KDL-50W82xB,
KDL-50W81xB,
KDL-50W80xB,
KDL-50W70xB (2)
KDL-42W82xB,
KDL-42W81xB,
KDL-42W80xB,
KDL-42/32W70xB (1)



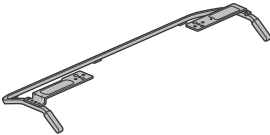
G Schroef (+PSW 4 x 10)

KDL-50W82xB,
KDL-50W81xB,
KDL-50W80xB,
KDL-50W70xB (2)
KDL-42W82xB,
KDL-42W81xB,
KDL-42W80xB,
KDL-42/32W70xB (1)



Standaard (bijgeleverd)

H

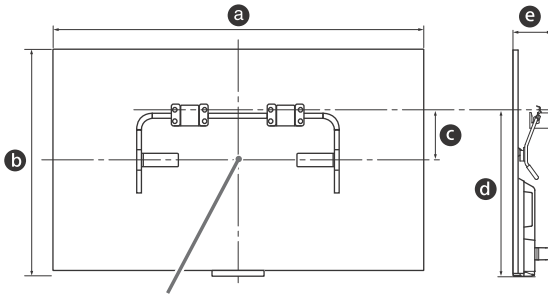


Schroeven voor wandmontagesteun (8 mm diameter, niet bijgeleverd)

KDL-50W82xB,
KDL-50W81xB,
KDL-50W80xB,
KDL-50W70xB (8)
KDL-42W82xB,
KDL-42W81xB,
KDL-42W80xB,
KDL-42/32W70xB (4)

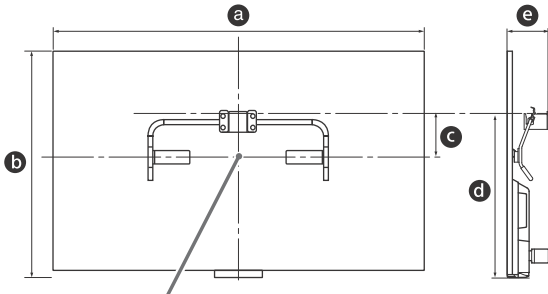
- 2 Zorg ervoor dat er voldoende ruimte is op de muur en dat deze minstens vier keer het gewicht van de televisie kan dragen.
Raadpleeg de volgende tabel voor meer informatie over het bevestigen van de televisie aan de muur. Zie pagina 15-18 (Specificaties) voor het gewicht van de televisie.

KDL-50W82xB, KDL-50W81xB, KDL-50W80xB, KDL-50W70xB



Middelpunt van het beeldscherm

KDL-42W82xB, KDL-42W81xB, KDL-42W80xB, KDL-42/32W70xB



Middelpunt van het beeldscherm

Apparaat: cm

Modelnaam KDL-	Afmetingen beeldscherm		Afstand tot middelpunt beeldscherm	Afstand voor de montage	
	a	b	c	d	e
50W82xB/ 50W81xB/ 50W80xB/ 50W70xB	111,6	65,6	13,0	46,9	11,8
42W82xB/ 42W81xB/ 42W80xB/ 42W70xB	95,8	56,3	17,5	46,5	11,8
32W70xB	72,9	43,3	18,8	41,3	11,3

Opmerken

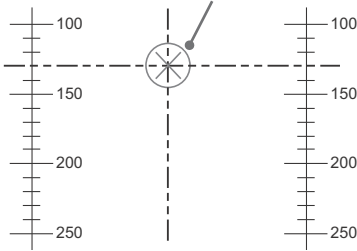
- De waarden in de tabel kunnen iets verschillen afhankelijk van de montage.

- 3** Breng een markering aan op het papieren sjabloon **(A)** dat het midden van het televisiescherm aangeeft.

**KDL-50W82xB, KDL-50W81xB,
KDL-50W80xB, KDL-50W70xB**

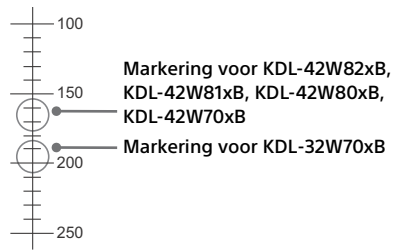
Schaal op het papieren sjabloon **(A)**

Markering voor KDL-50W82xB, KDL-50W81xB,
KDL-50W80xB, KDL-50W70xB



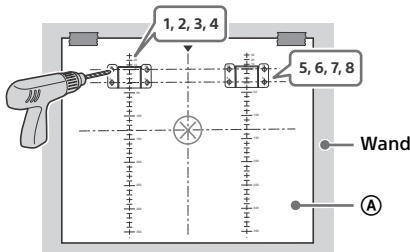
**KDL-42W82xB, KDL-42W81xB,
KDL-42W80xB, KDL-42/32W70xB**

Schaal op het papieren sjabloon **(A)**

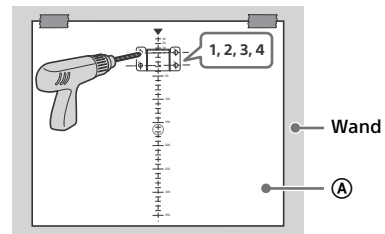


- 4** Kleef het papieren sjabloon **(A)** aan de muur en boor met een elektrische boormachine gaten overeenkomstig de nummers die aangebracht zijn op het papieren sjabloon **(A)**.

**KDL-50W82xB, KDL-50W81xB,
KDL-50W80xB, KDL-50W70xB**



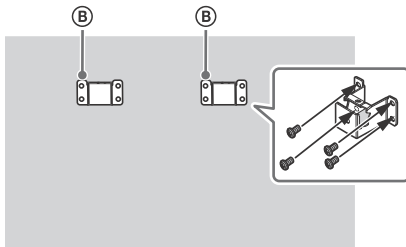
**KDL-42W82xB, KDL-42W81xB,
KDL-42W80xB, KDL-42/32W70xB**



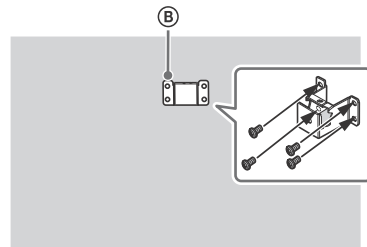
- 5** Verwijder het papieren sjabloon **(A)** van de muur.

- 6** Bevestig de wandmontagesteun **(B)** correct aan de muur met behulp van de schroeven (8 mm diameter, niet bijgeleverd).

**KDL-50W82xB, KDL-50W81xB,
KDL-50W80xB, KDL-50W70xB**

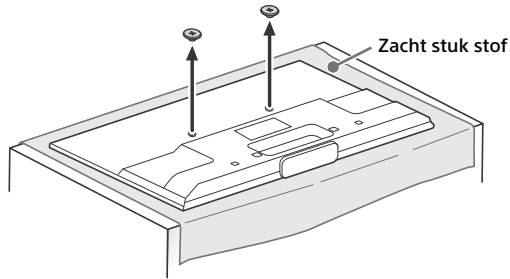


**KDL-42W82xB, KDL-42W81xB,
KDL-42W80xB, KDL-42/32W70xB**



De nodige voorbereidingen treffen voor het bevestigen van de televisie

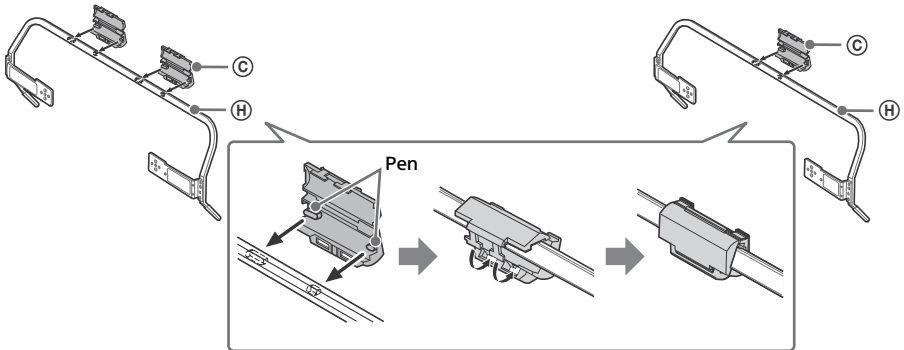
- 1 Verwijder de schroeven aan de achterzijde van de televisie. Bewaar de verwijderde schroeven op een veilige plaats waar kinderen er niet bij kunnen.



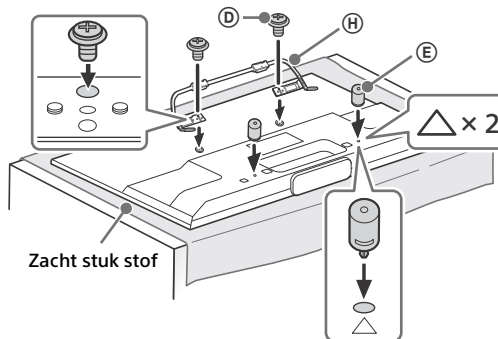
- 2 Steek de pinnen (op de standaardbescherming ©) in de openingen in de standaard ④ en vouw de standaardbescherming © dicht. Controleer of de standaardbescherming © stevig vastgemaakt is aan de standaard ④.

KDL-50W82xB, KDL-50W81xB,
KDL-50W80xB, KDL-50W70xB

KDL-42W82xB, KDL-42W81xB,
KDL-42W80xB, KDL-42/32W70xB

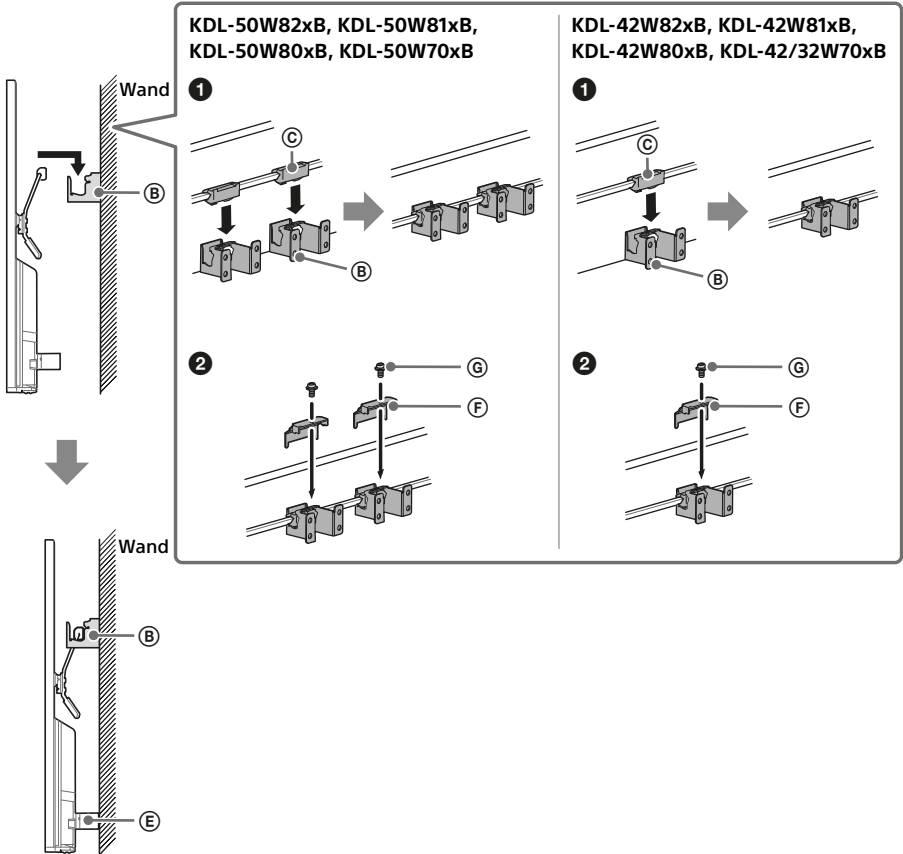


- 3 Bevestig de standaard ④ aan de televisie met de bijgeleverde schroeven ①. Maak de afstandhouders ⑤ vast in de openingen die aangegeven zijn met driehoeken △. KDL-50W82xB, KDL-50W81xB, KDL-50W80xB, KDL-50W70xB wordt gebruikt ter illustratie.



De televisie aan de muur bevestigen

- 1 Sluit alle kabels aan en bundel deze samen vooraleer u de televisie aan de muur bevestigt.
- 2 Bevestig de televisie aan de muur. Controleer of de standaardbescherming © stevig vastgemaakt is aan de wandmontagesteun ② en ga na of de afstandhouders ③ de muur raken. Bevestig de beugelkapplaat ④ met behulp van de bijgeleverde schroeven ⑤.



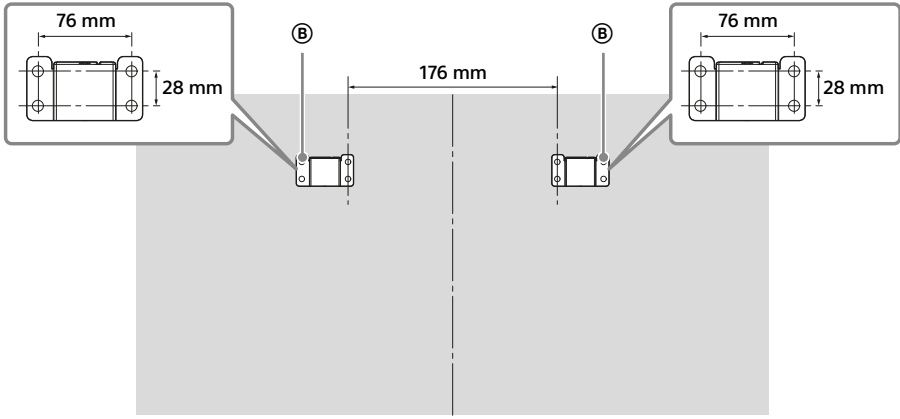
Afmetingen van de posities van de gaten in de muur

Bezorg de volgende informatie indien nodig aan de bevoegde installateur.

Gebruik schroeven (8 mm diameter, niet bijgeleverd) om de wandmontagesteun ② aan de muur te bevestigen.

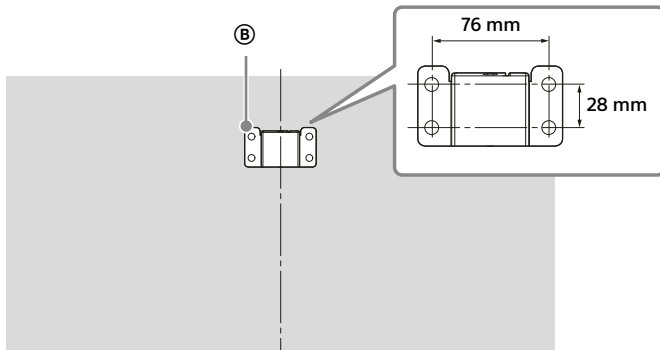
Gebruik voor een eenvoudige installatie het bijgeleverde papieren sjabloon ① waarop de positie van de wandmontagesteun getoond wordt.

KDL-50W82xB, KDL-50W81xB, KDL-50W80xB, KDL-50W70xB



NL

KDL-42W82xB, KDL-42W81xB, KDL-42W80xB, KDL-42/32W70xB



Raadpleeg de volgende website voor instructies over de installatie van de wandmontagesteun voor uw TV-model:
www.sony.eu/tv/wall-mount-bracket-manual

Problemen oplossen

Tel hoeveel keer het LED-lampje knippert als het rood knippert (intervaltijd bedraagt drie seconden).

Als de verlichtings-LED rood knippert, reset u de televisie door het netsnoer gedurende twee minuten los te koppelen van de televisie en de televisie vervolgens in te schakelen.

Als het probleem hierdoor niet opgelost raakt, contacteert u uw verdeler of Sony-servicecentrum en meldt u het aantal keer dat de verlichtings-LED rood knippert (het interval bedraagt drie seconden). Druk op I/⏻ op de televisie om deze uit te schakelen, koppel het netsnoer los en breng uw verdeler of Sony-servicecentrum op de hoogte van het probleem.

Controleer de items in de onderstaande tabellen als het LED-lampje niet knippert.

Het is ook mogelijk om [Problemen oplossen] in de i-Manual te raadplegen of zelf een diagnose uit te voeren door ? [Help] → [Klantondersteuning] → [Zelfdiagnose] te selecteren. Als het probleem aanhoudt, moet u de televisie laten nakijken door bevoegd onderhoudspersoneel.

Problemen en oplossingen

Er is geen beeld (scherm is donker) en geen geluid.

- Controleer de aansluiting van de antenne/kabel.
- Sluit de televisie aan op het stroomnet en druk op I/⏻ op de televisie of afstandsbediening.

Op sommige programma's kan niet worden afgestemd.

- Controleer de antenne of schotelantenne.
- De satellietkabel is mogelijk kortgesloten of niet goed aangesloten. Controleer de kabelaansluiting, schakel vervolgens de tv uit met de netstroomschakelaar en schakel deze daarna weer in.
- De ingevoerde frequentie ligt buiten het bereik. Neem contact op met de satellietmaatschappij van de ontvangen zender.

Geen kabel-tv-diensten (programma's) gevonden.

- Controleer de aansluiting van de kabel of de afstemming.
- U probeert [Digitale autom. Afstemming] uit te voeren door [Aards] in plaats van [Kabel] te selecteren.

De afstandsbediening werkt niet.

- Vervang de batterijen.
- Mogelijk is de stand SYNC geactiveerd op de tv. Druk op **SYNC MENU**, selecteer [TV-besturing] en selecteer vervolgens [Start (menu)] of [Optie] om de tv te bedienen.

U bent het wachtwoord voor het [Kinderslot] vergeten.

- Voer 9999 in als pincode. (Pincode 9999 wordt altijd geaccepteerd.)

De ruimte rond de tv wordt warm.

- Als de tv langdurig wordt gebruikt, wordt de ruimte rond de tv warm. U kunt daar warmte voelen bij aanraking met de hand.

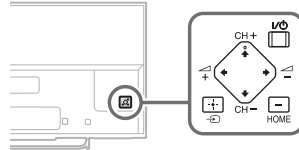
Bevroren audio of video, een blanco scherm of de tv reageert niet op de knoppen van de tv of de afstandsbediening.

- Voer een eenvoudige reset uit van de tv door het netsnoer gedurende twee minuten los te koppelen. Sluit het vervolgens opnieuw aan.


U vindt de knoppen I/⏻, CH+/-, ⏪ +/-, ⏩ +/-, ⏴, ⏵ en HOME niet terug op de televisie.

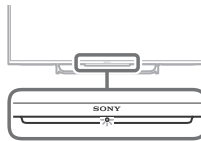
- Op de onderstaande afbeelding ziet u waar u de knoppen kunt terugvinden op de televisie.

Achterkant van de televisie



De verlichtings-LED is ingeschakeld.

- Als u niet wilt dat de verlichtings-LED oplicht, kunt u deze uitschakelen. Druk op **HOME** en selecteer vervolgens  [Instellingen] → [Systeem settings] → [Algemene instellingen] → [Verlichtings-LED] → [Uit]. U kunt ook op **OPTIONS** drukken en vervolgens [Verlichtings-LED] → [Uit] selecteren.



Het lukt niet om verbinding te maken met een draadloze router via WPS.

- Als u WEP-beveiliging gebruikt, selecteert u [Beginner] → [Wi-Fi] → [Verbinden via scanlijst]. Selecteer vervolgens de naam van het netwerk (het SSID) waarmee u verbinding wilt maken.

De naam van het netwerk is niet terug te vinden bij de netwerkinstellingen.

- Selecteer [[Handmatige invoer]] en druk op ⊕ om een netwerknaam in te voeren.

Specificaties

Systeem

Beeldschermstelsysteem

LCD-scherm (Liquid Crystal Display),
LED-achtergrondverlichting

Televisiesysteem

Analoog: Afhankelijk van de land-/gebiedkeuze:
B/G, D/K, L, I, M
Digitaal: DVB-T/DVB-C
DVB-T2
Satelliet: DVB-S/DVB-S2

Kleur-/videosysteem

Analoog: PAL, SECAM, NTSC3.58, NTSC4.43
Digitaal: Raadpleeg de i-Manual.

Beschikbare kanalen

Analoog: UHF/VHF/Kabel, Afhankelijk van de land-/gebiedkeuze.
Digitaal: UHF/VHF/Kabel, Afhankelijk van de land-/gebiedkeuze.
Satelliet: IF-frequentie 950-2150 MHz

Geluidsuitgang

8 W + 8 W (behalve KDL-32W70xB)
5 W + 5 W (alleen KDL-32W70xB)

Draadloze technologie

Protocol IEEE802.11a/b/g/n

Ingangen/uitgangen

Antennekabel

75 ohm externe aansluiting voor VHF/UHF

Satellietantenne

Vrouwelijke F-aansluiting IEC169-24, 75 ohm.
DiSEqC 1.0, LNB 13 V/18 V & 22 kHz-toon,
Distributie van één kabel EN50494.

AV1

21-pins scart-aansluiting (CENELEC-standaard)
inclusief audio/video-ingang, RGB-ingang en TV
audio/video-uitgang.

COMPONENT IN

YPbPr (Componentvideo): 1080p (50, 60 Hz),
1080i (50, 60 Hz), 720p (50, 60 Hz), 576p, 576i,
480p, 480i
Audio-ingang (RCA-aansluitingen)

AV2

Video-ingang (gewone RCA-pin met Y-ingang)

HDMI IN 1, 2, 3, 4 (behalve KDL-50/42/32W70xB)

Video (2D): 1080p (30, 50, 60 Hz), 1080/24p, 1080i (50, 60 Hz), 720p (30, 50, 60 Hz), 720/24p, 576p, 576i, 480p, 480i, Pc-formaten

Video (3D):

Framepakking: 1080p (30 Hz), 1080/24p, 1080i (50, 60 Hz), 720p (30, 50, 60 Hz), 720/24p
Naast elkaar: 1080p (50, 60 Hz), 1080/24p, 1080i (50, 60 Hz), 720p (50, 60 Hz)
Boven elkaar: 1080p (30, 50, 60 Hz), 1080/24p, 1080i (50, 60 Hz), 720p (50, 60 Hz)

Audio: 5.1-kanaals lineair PCM: 32, 44,1 en 48 kHz, 16, 20 en 24 bits, Dolby Digital
ARC (Audio Return Channel) (alleen HDMI IN 2)

HDMI IN 1, 2, 3, 4 (alleen KDL-50/42/32W70xB)

Video: 1080p (30, 50, 60 Hz), 1080/24p, 1080i (50, 60 Hz), 720p (30, 50, 60 Hz), 720/24p, 576p, 576i, 480p, 480i, Pc-formaten

Audio: 5.1-kanaals lineair PCM: 32, 44,1 en 48 kHz, 16, 20 en 24 bits, Dolby Digital
ARC (Audio Return Channel) (alleen HDMI IN 2)

MHL (gewoon met HDMI IN 1)

(behalve KDL-50/42/32W70xB)

Video (2D): 1080p (30 Hz), 1080/24p, 1080i (50, 60 Hz), 720p (30, 50, 60 Hz), 720/24p, 576p, 576i, 480p, 480i

Video (3D):

Naast elkaar: 1080/24p, 1080i (50, 60 Hz), 720p (50, 60 Hz)
Boven elkaar: 1080p (30 Hz), 1080/24p, 1080i (50, 60 Hz), 720p (50, 60 Hz)

Audio: 5.1-kanaals lineair PCM: 32, 44,1 en 48 kHz, 16, 20 en 24 bits, Dolby Digital

MHL (gewoon met HDMI IN 1)

(alleen KDL-50/42/32W70xB)

Video: 1080p (30 Hz), 1080/24p, 1080i (50, 60 Hz), 720p (30, 50, 60 Hz), 720/24p, 576p, 576i, 480p, 480i

Audio: 5.1-kanaals lineair PCM: 32, 44,1 en 48 kHz, 16, 20 en 24 bits, Dolby Digital

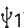
DIGITAL AUDIO OUT (OPTICAL)

Digitale optische aansluiting (tweekanaals lineaire PCM, Dolby Digital)

AUDIO OUT

Audio-uitgang (stereo-miniaansluiting)
Hoofdtelefoonaansluiting
(ondersteuning subwooferuitgang)

1 (HDD REC), 2

Poort voor USB HDD-apparaat (alleen  1),
USB-poort



CAM-sleuf (Conditional Access Module)

DC IN 19.5 V

Adapteringang



LAN

10BASE-T/100BASE-TX-stekker (Afhankelijk van de besturingsomgeving van het netwerk kan de verbindingssnelheid variëren. De communicatiesnelheid en -kwaliteit van 10BASE-T/100BASE-TX worden niet gegarandeerd voor deze tv.)

Andere

Optionele accessoires

Touchpad-afstandsbediening: RMF-ED004

Camera- en microfooneenheid: CMU-BR200/
CMU-BR100

Draadloze subwoofer: SWF-BR100

MHL-kabel: DLC-MB10/DLC-MB20/DLC-MC10/
DLC-MC20

Actieve 3D Bril: TDG-BT500A (alleen
KDL-50W82xB, KDL-50W81xB, KDL-50W80xB)



Passieve 3D Bril: TDG-500P (alleen KDL-42W82xB,
KDL-42W81xB, KDL-42W80xB)



Gebruikstemperatuur

0 °C – 40 °C

Gebruiksvochtigheidsgraad

10 % – 80 % relatieve luchtvochtigheid (zonder condensatie)

Vermogen en andere

Netspanningsvereisten

19,5 V DC met AC-adapter

Vermogen: input 220 V - 240 V AC, 50 Hz

Energie-efficiëntieklasse

KDL-50W82xB, KDL-50W81xB, KDL-50W80xB,

KDL-50W70xB: A++

KDL-42W82xB, KDL-42W81xB, KDL-42W80xB,

KDL-42W70xB: A+

KDL-32W70xB: A

Schermgrootte (diagonaal gemeten) (Ong.)

KDL-50W82xB, KDL-50W81xB, KDL-50W80xB,

KDL-50W70xB: 50 inch / 125,7 cm

KDL-42W82xB, KDL-42W81xB, KDL-42W80xB,

KDL-42W70xB: 42 inch / 106,7 cm

KDL-32W70xB: 32 inch / 80,1 cm

Vermogensverbruik

in de stand [Standaard]

KDL-50W82xB, KDL-50W81xB, KDL-50W80xB,
KDL-50W70xB: 51 W
KDL-42W82xB, KDL-42W81xB, KDL-42W80xB,
KDL-42W70xB: 50 W
KDL-32W70xB: 39 W

in de stand [Levendig]

KDL-50W82xB, KDL-50W81xB, KDL-50W80xB,
KDL-50W70xB: 100 W
KDL-42W82xB, KDL-42W81xB, KDL-42W80xB,
KDL-42W70xB: 99 W
KDL-32W70xB: 80 W

Gemiddeld jaarlijks energieverbruik*¹

KDL-50W82xB, KDL-50W81xB, KDL-50W80xB,
KDL-50W70xB: 71 kWh
KDL-42W82xB, KDL-42W81xB, KDL-42W80xB,
KDL-42W70xB: 69 kWh
KDL-32W70xB: 54 kWh

Stand-by vermogensgebruik*²

0,5 W (10 W in de stand voor bijwerken van de software/EPG)

Beeldschermresolutie

1.920 punten (horizontaal) × 1.080 lijnen
(verticaal)

Afmetingen (Ongeveer.) (b × h × d)

met tafelstandaard

KDL-50W82xB, KDL-50W81xB, KDL-50W80xB,
KDL-50W70xB: 111,6 × 69,3 × 17,9 cm
KDL-42W82xB, KDL-42W81xB, KDL-42W80xB,
KDL-42W70xB: 95,8 × 60,0 × 17,0 cm
KDL-32W70xB: 72,9 × 46,5 × 14,1 cm

zonder tafelstandaard

KDL-50W82xB, KDL-50W81xB, KDL-50W80xB,
KDL-50W70xB: 111,6 × 65,6 × 6,4 cm
KDL-42W82xB, KDL-42W81xB, KDL-42W80xB,
KDL-42W70xB: 95,8 × 56,3 × 6,4 cm
KDL-32W70xB: 72,9 × 43,3 × 6,4 cm

Gewicht (Ongeveer.)

met tafelstandaard

KDL-50W82xB, KDL-50W81xB, KDL-50W80xB,
KDL-50W70xB: 14,8 kg
KDL-42W82xB, KDL-42W81xB, KDL-42W80xB,
KDL-42W70xB: 11,7 kg
KDL-32W70xB: 7,9 kg

zonder tafelstandaard

KDL-50W82xB, KDL-50W81xB, KDL-50W80xB,
KDL-50W70xB: 13,6 kg
KDL-42W82xB, KDL-42W81xB, KDL-42W80xB,
KDL-42W70xB: 10,5 kg
KDL-32W70xB: 6,9 kg

- *¹ Energieverbruik per jaar, gebaseerd op het vermogensverbruik van de televisie die 365 dagen werkt gedurende 4 uur per dag. Het eigenlijke energieverbruik zal afhangen van de manier waarop de televisie wordt gebruikt.
- *² Het gespecificeerde stand-by vermogen wordt bereikt als de televisie de benodigde interne processen heeft voltooid.

Opmerken

- De "x" die wordt weergegeven in de modelnaam komt overeen met een cijfer dat betrekking heeft op het ontwerp, de kleur of het tv systeem.
- Verwijder de nepkaart alleen uit de CAM-sleuf (Conditional Access Module) van de televisie als u een smartcard in de CAM wilt plaatsen.
- De beschikbaarheid van optionele accessoires is afhankelijk van uw land/regio/tv-model/voorraad.
- Ontwerp en specificaties kunnen zonder voorafgaande kennisgeving worden gewijzigd.
- Deze televisie is uitgerust met MHL 2.

Opmerkingen betreffende de digitale televisiefunctie

- Functies met betrekking tot digitale televisie (DVB) werken alleen in landen of gebieden waar DVB-T/DVB-T2 (MPEG-2 en H.264/MPEG-4 AVC) digitale aardse signalen worden uitgezonden of waar toegang is tot een compatibele DVB-C (MPEG-2 en H.264/MPEG-4 AVC) kabelservice. Vraag uw dealer of u een DVB-T/DVB-T2-signaal kunt ontvangen waar u woont of vraag uw kabelleverancier of hun DVB-C-kabelservice geschikt is voor een geïntegreerde werking met deze televisie.
- Uw kabelleverancier kan voor een dergelijke service kosten in rekening brengen en het kan zijn dat u moet instemmen met bepaalde voorwaarden.
- Dit televisietoestel voldoet aan de DVB-T/DVB-T2- en DVB-C-specificaties, maar de compatibiliteit met toekomstige DVB-T/DVB-T2 digitale aardse en DVB-C digitale kabeluitzendingen kan niet worden gegarandeerd.
- Bepaalde digitale televisiefuncties zijn wellicht niet beschikbaar in sommige landen/regio's en DVB-C-kabel werkt wellicht niet goed bij bepaalde aanbieders.

Informatie over handelsmerken

- De termen HDMI en HDMI High-Definition Multimedia Interface en het HDMI-logo zijn handelsmerken of gedeponeerde handelsmerken van HDMI Licensing LLC in de Verenigde Staten en andere landen.
- DLNA®, het DLNA-logo en DLNA CERTIFIED® zijn handelsmerken, servicemerken of certificaatmerken van Digital Living Network Alliance.
- Geproduceerd onder licentie van Dolby Laboratories. Dolby en het dubbele-D-symbool zijn handelsmerken van Dolby Laboratories.
- "BRAVIA" en BRAVIA zijn handelsmerken van Sony Corporation.
- TrackID is een handelsmerk of gedeponeerd handelsmerk van Sony Mobile Communications AB.
- Gracenote, Gracenote eyeQ, Gracenote VideoID, Gracenote Video Explore, Gracenote MusicID, het Gracenote-logo en -logotype, en het logo "Powered by Gracenote" zijn gedeponeerde handelsmerken of handelsmerken van Gracenote in de Verenigde Staten en/of andere landen.
- Opera® Devices SDK from Opera Software ASA. Copyright 1995-2014 Opera Software ASA. All rights reserved.
- Wi-Fi, Wi-Fi Direct en Miracast zijn handelsmerken of gedeponeerde handelsmerken van Wi-Fi Alliance.
- Het "Sony Entertainment Network-logo" en "Sony Entertainment Network" zijn handelsmerken van Sony Corporation.
- MHL, Mobile High-Definition Link en het logo van MHL zijn handelsmerken of gedeponeerde handelsmerken van MHL Licensing, LLC.
- Raadpleeg <http://patents.dts.com> voor meer informatie over DTS-patenten. Gefabriceerd onder licentie van DTS Licensing Limited. DTS, het overeenkomstige symbool en DTS gecombineerd met het overeenkomstige symbool zijn gedeponeerde handelsmerken, en DTS Digital Surround is een handelsmerk van DTS, Inc. © DTS, Inc. Alle rechten voorbehouden.
- Designed with UEI Technology™ Under License from Universal Electronics Inc. Portions © UEI 2000 – 2013
- Het Bluetooth®-woordmerk en logo's zijn het eigendom van Bluetooth SIG, Inc. en het gebruik van deze merken door Sony Corporation gebeurt onder licentie. Andere handelsmerken en handelsnamen zijn het eigendom van hun respectieve eigenaars.
- DiSEqC™ is een handelsmerk van EUTELSAT.
Deze tv biedt ondersteuning voor DiSEqC 1.0. Deze tv is niet geschikt voor het aansturen van gemotoriseerde antennes.

Inhaltsverzeichnis

WICHTIGER HINWEIS	2
Sicherheitsinformationen	3
Sicherheitsmassnahmen	5
Montieren des Fernsehgeräts an der Wand	8
Installieren der Halterungen an der Wand	9
Vorbereitung der Montage des Fernsehgeräts	12
Montieren des Fernsehgeräts an der Wand	13
Störungsbehebung	15
Probleme und Lösungen	15
Technische Daten	16

Einleitung

Vielen Dank, dass Sie sich für ein Produkt von Sony entschieden haben.

Bitte lesen Sie dieses Handbuch aufmerksam durch, bevor Sie das Fernsehgerät verwenden, und bewahren Sie es auf, um später bei Bedarf darin nachschlagen zu können.

Anmerkung

- Lesen Sie sich vor der Bedienung des Fernsehgeräts die „Sicherheitsinformationen“ durch (Seite 3).
- Anweisungen zum „Montieren des Fernsehgeräts an der Wand“ sind in der Bedienungsanleitung dieses Fernsehgeräts enthalten.
- Darstellungen und Abbildungen, die im Schnellstartleitfaden und in dieser Anleitung verwendet werden, dienen nur der Referenz und können vom tatsächlichen Produkt abweichen.

Position des Bezeichnungsschildes

Aufkleber für die Modellnummer, das Herstelldatum (Monat/Jahr) und die Betriebsspannung des Fernsehgeräts befinden sich auf der Rückseite des Fernsehgeräts oder auf der Verpackung. Die Aufkleber mit der Modellnummer und Seriennummer des Netzteils befinden sich an der Unterseite des Netzteils.

WARNUNG

UM FEUERGEFAHR ZU VERMEIDEN, HALTEN SIE KERZEN UND JEDLICHE OFFENEN FLAMMEN JEDERZEIT VON DIESEM GERÄT FERN.



WICHTIGER HINWEIS

Dieses Produkt wurde von oder für Sony Corporation, 1-7-1 Konan Minato-ku Tokio, 108-0075 Japan hergestellt. Bei Fragen zur Produktkonformität auf Grundlage der Gesetzgebung der Europäischen Union kontaktieren Sie bitte den Bevollmächtigten Sony Deutschland GmbH, Hedelfinger Strasse 61, 70327 Stuttgart, Deutschland. Für Kundendienst oder Garantieangelegenheiten wenden Sie sich bitte an die in den Kundendienst- oder Garantiedokumenten genannten Adressen.

Hinweis zum Drahtlos-Signal

Hiermit erklärt die Sony Corporation, dass sich dieses Gerät in Übereinstimmung mit den grundlegenden Anforderungen und den übrigen einschlägigen Bestimmungen der Richtlinie 1999/5/EG befindet.

Weitere Informationen erhältlich unter:
<http://www.compliance.sony.de/>

Hinweis für Kunden: Die folgenden Informationen gelten nur für Geräte, die in Ländern verkauft werden, in denen EU-Richtlinien gelten.

Das drahtlose Fernsehsystem darf in folgenden Ländern verwendet werden:

AT, BE, HR, CY, CZ, DK, EE, FI, FR, DE, GR, HU, IE, IT, LV, LT, LU, MT, NL, PL, PT, SK, SI, ES, SE, GB, IS, LI, NO, CH, BG, RO, TR, AL, BA, MK, MD, RS, ME

Dieses Gerät kann auch in Ländern außerhalb Europas eingesetzt werden.



Sicherheitsinformationen

WARNUNG

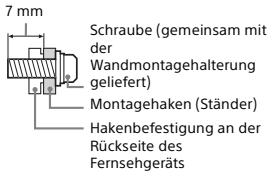
Batterien dürfen nicht übermäßiger Hitze, wie Sonnenlicht, einem Feuer oder Ähnlichem, ausgesetzt werden.

Installation/Einstellung

Installieren und benutzen Sie das Fernsehgerät unter Berücksichtigung der im Folgenden angegebenen Anweisungen, um alle Risiken wie Feuer, Stromschlag oder Beschädigungen und/oder Verletzungen zu vermeiden.

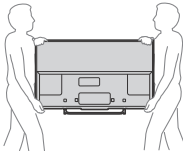
Installation

- Das Fernsehgerät sollte neben einer frei zugänglichen Netzsteckdose installiert werden.
- Stellen Sie das Fernsehgerät auf eine stabile, ebene Oberfläche, um zu verhindern, dass es herunterfällt und Personenschäden oder Schäden am Fernsehgerät verursacht.
- Wandeinbauten sollten nur von qualifiziertem Fachpersonal ausgeführt werden.
- Aus Sicherheitsgründen wird dringend empfohlen, ausschließlich Sony Zubehörteile zu verwenden, inklusive:
 - Wandhalterung
- Verwenden Sie unbedingt die Schrauben im Lieferumfang der Wandhalterung, wenn Sie die Montagehaken (Ständer) am Fernsehgerät befestigen. Die mitgelieferten Schrauben sind, gemessen von der Befestigungsfläche des Montagehakens (Ständer), wie in der Abbildung dargestellt konstruiert. Durchmesser und Länge der Schrauben variieren je nach Modell der Wandmontagehalterung. Durch die Verwendung anderer als der mitgelieferten Schrauben kann das Fernsehgerät beschädigt werden oder herunterfallen.



Transport

- Vor dem Transport des Fernsehgeräts ziehen Sie bitte alle Kabel aus dem Gerät.
- Zum Transport eines großen Fernsehgeräts sind zwei oder drei Personen nötig.
- Wenn Sie das Fernsehgerät ohne Hilfsmittel transportieren, halten Sie es wie unten dargestellt. Üben Sie weder auf den LCD-Bildschirm noch auf den Bildschirmrahmen Druck aus.



- Setzen Sie das Fernsehgerät beim Transport weder Stößen noch starken Erschütterungen aus.
- Wenn Sie das Fernsehgerät für Reparaturen oder bei einem Umzug transportieren müssen, verpacken Sie es mithilfe der Originalverpackungsmaterialien im Originalkarton.

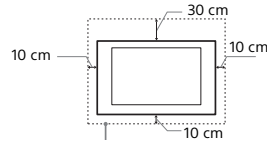
Kippenschutz

- Legen Sie das Gerät, bevor Sie die Maschinenschraube einsetzen, mit der Bildschirmseite nach unten auf eine stabile Arbeitsoberfläche, die größer ist als das Fernsehgerät.
- Um Beschädigungen am LCD-Bildschirm zu vermeiden, legen Sie ein weiches Tuch auf die Arbeitsfläche.

Luftzirkulation

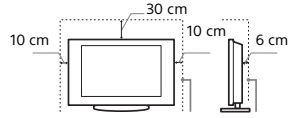
- Decken Sie nie die Lüftungsöffnungen ab und stecken Sie nichts in das Gehäuse.
- Lassen Sie ausreichend Platz um das Fernsehgerät (siehe Abbildung).
- Es wird dringend empfohlen, die offizielle Sony Wandmontagehalterung zu verwenden, um eine ausreichende Luftzirkulation zu gewährleisten.

Installation an der Wand



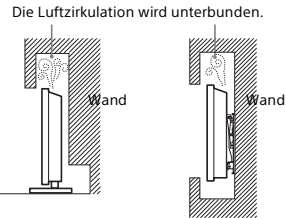
Lassen Sie mindestens so viel Platz um das Gerät.

Aufstellung auf dem Standfuß



Lassen Sie mindestens so viel Platz um das Gerät.

- Um eine ausreichende Belüftung zu gewährleisten und Staub- oder Schmutzablagerungen zu vermeiden:
 - Stellen Sie das Fernsehgerät weder flach noch auf dem Kopf stehend, falsch herum oder seitwärts geneigt auf.
 - Stellen Sie das Fernsehgerät weder auf einem Regal, einem Teppich, einem Bett oder in einem Schrank auf.
 - Decken Sie das Fernsehgerät nicht mit Decken oder Vorhängen ab und legen Sie keine Gegenstände wie Zeitungen usw. darauf.
 - Installieren Sie das Fernsehgerät nicht wie auf der Abbildung gezeigt.



Netzkabel

- Um alle Risiken wie Feuer, Elektroschock oder Beschädigungen und/oder Verletzungen auszuschließen, sollten Sie das Netzkabel und den Stecker wie hier angegeben handhaben:
 - Verwenden Sie ausschließlich die von Sony und keinen anderen Anbietern gelieferte Netzkabel.
 - Stecken Sie den Stecker ganz in die Netzsteckdose.
 - Dieses Fernsehgerät ist ausschließlich für den Betrieb an 220-240 V Wechselstrom ausgelegt.
 - Trennen Sie das Gerät zu Ihrer eigenen Sicherheit unbedingt vom Netzstrom, wenn Sie Kabel an dem Gerät anschließen, und stolpern Sie nicht über die Kabel.
 - Trennen Sie das Netzkabel von der Netzsteckdose, bevor Sie das Fernsehgerät reparieren oder transportieren.
 - Halten Sie das Netzkabel von Wärmequellen fern.
 - Ziehen Sie den Netzstecker aus der Steckdose und reinigen Sie ihn regelmäßig. Wenn der Stecker verstaubt ist und sich Feuchtigkeit abgelagert, kann die Isolierung leiden und es besteht Feuergefahr.

Anmerkung

- Verwenden Sie das mitgelieferte Netzkabel nicht mit anderen Geräten.
- Klemmen, biegen oder verdrehen Sie das Netzkabel nicht übermäßig. Die blanken Adern im Inneren des Kabels könnten freiliegen oder brechen.
- Nehmen Sie am Netzkabel keine Veränderungen vor.
- Stellen Sie keine schweren Gegenstände auf das Netzkabel.
- Ziehen Sie nicht am Kabel, selbst wenn Sie das Netzkabel aus der Steckdose herausziehen.
- Achten Sie darauf, nicht zu viele andere Geräte an dieselbe Netzsteckdose anzuschließen.
- Verwenden Sie eine Netzsteckdose, in der der Stecker fest sitzt.

HINWEIS ZUM NETZTEIL

Warnung

- Um das Risiko eines Brandes oder Stromschlags zu reduzieren, sollten Sie das Gerät weder Regen noch Feuchtigkeit aussetzen. Stellen Sie keine mit Flüssigkeit gefüllten Objekte, wie z. B. Vasen, auf das Gerät, um die Gefahr eines Brandes oder Stromschlags zu verringern. Stellen Sie das Gerät nicht an einem Ort auf, an dem eine ausreichende Luftzufuhr nicht gegeben ist, zum Beispiel in einem engen Regalfach oder an einem ähnlichen Ort.
- Stellen Sie sicher, dass sich die Netzsteckdose in der Nähe des Geräts befindet und leicht zugänglich ist.
- Verwenden Sie unbedingt das mitgelieferte Netzteil und Netzkabel.
- Verwenden Sie keine anderen Netzteile. Andernfalls kann es zu einer Fehlfunktion kommen.
- Schließen Sie das Netzkabel an eine leicht zugängliche Netzsteckdose an.
- Wickeln Sie das Netzkabel nicht um das Netzteil. Andernfalls kann die Litze im Inneren durchtrennt werden und/oder es kann zu einer Fehlfunktion des Medienreceivers kommen.
- Berühren Sie das Netzteil nicht mit feuchten Händen.
- Sollten am Netzteil irgendwelche Störungen auftreten, lösen Sie das Netzteil sofort von der Netzsteckdose.
- Solange eine Verbindung zur Netzsteckdose besteht, ist das Gerät nicht vom Netzstrom getrennt, auch wenn das Gerät selbst ausgeschaltet wurde.
- Da sich das Netzteil erwärmt, wenn es längere Zeit verwendet wird, kann es sich sehr heiß anfühlen, wenn Sie es mit der Hand berühren.



Verbotene Nutzung

Installieren Sie das Fernsehgerät weder an Standorten, in Umgebungen noch in Situationen wie den hier aufgeführten, da dies zu Fehlfunktionen des Fernsehgeräts und Feuer, Elektroschock, Beschädigungen und/oder Verletzungen führen kann.

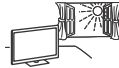
Standort:

- Im Freien (in direktem Sonnenlicht), am Meer, auf einem Schiff oder Boot, im Inneren eines Fahrzeugs, in medizinischen Einrichtungen, an instabilen Standorten, in der Nähe von Wasser, Regen, Feuchtigkeit oder Rauch.
- Wenn das Fernsehgerät in der Umkleidekabine eines Schwimmbads oder Thermalbads aufgestellt wird, kann das Fernsehgerät durch Schwefeldämpfe usw. beschädigt werden.
- Für eine optimale Bildqualität schützen Sie den Bildschirm vor direkter Beleuchtung oder direktem Sonnenlicht.
- Bringen Sie das Fernsehgerät möglichst nicht von einem kalten in einen warmen Raum. Bei plötzlichen Temperaturschwankungen kann sich Feuchtigkeit niederschlagen. Dies kann die Bild- und/oder Farbqualität am Fernsehgerät beeinträchtigen. Lassen Sie die Feuchtigkeit in einem solchen Fall vor dem Einschalten des Fernsehgeräts vollständig verdunsten.



Umgebung:

- An heißen, feuchten oder übermäßig staubigen Orten, an denen Insekten in das Gerät eindringen können; an denen es mechanischen Erschütterungen ausgesetzt ist, neben brennbaren Objekten (Kerzen usw.). Das Fernsehgerät darf weder Tropfen oder Spritzern ausgesetzt werden. Es dürfen keine mit Flüssigkeit gefüllten Gegenstände, zum Beispiel Vasen, auf dem Fernsehgerät abgestellt werden.
- Stellen Sie das Fernsehgerät nicht an einen feuchten oder staubigen Ort oder in einen Raum mit fettigem Rauch oder Dampf (in der Nähe von Kochstellen oder Luftbefeuchtern). Andernfalls besteht Feuergefahr, die Gefahr eines elektrischen Schlags oder das Gerät kann sich verformen.
- Stellen Sie das Fernsehgerät nicht an Orten auf, an denen es extremen Temperaturen ausgesetzt ist, z. B. in direktem Sonnenlicht oder in der Nähe einer Heizung oder eines Warmluftauslasses. Andernfalls kann sich das Fernsehgerät überhitzen und das Gehäuse kann sich verformen und/oder es kommt zu Fehlfunktionen am Fernsehgerät.



Situation:

- Nicht mit nassen Händen, ohne Gehäuse oder mit anderem als vom Hersteller empfohlenen Zubehör benutzen. Trennen Sie das Fernsehgerät bei Gewitter von der Netzsteckdose und der Antenne.
- Stellen Sie das Fernsehgerät nicht so auf, dass es frei in den Raum hineinragt. Andernfalls besteht die Gefahr, dass eine Person oder ein Gegenstand dagegenstößt und es kann zu Verletzungen oder Sachschäden kommen.



Bruchstücke:

- Werfen Sie nichts gegen das Fernsehgerät. Das Glas des Bildschirms könnte durch den Aufprall zerbrechen und schwere Verletzungen verursachen.
- Falls die Oberfläche des Fernsehgeräts zerspringt, ziehen Sie zuerst das Netzkabel aus der Steckdose, bevor Sie das Gerät berühren. Andernfalls besteht die Gefahr eines elektrischen Schlags.

Wenn das Gerät nicht benutzt wird

- Zum Schutz der Umwelt und aus Sicherheitsgründen empfiehlt es sich, das Fernsehgerät vom Stromnetz zu trennen, wenn es mehrere Tage nicht benutzt wird.
- Da das Fernsehgerät auch in ausgeschaltetem Zustand mit dem Stromnetz verbunden ist, wenn es nur ausgeschaltet wurde, muss der Stecker aus der Netzsteckdose gezogen werden, um das Fernsehgerät vollkommen auszuschalten.
- Bei einigen Fernsehgeräten gibt es jedoch möglicherweise Funktionen, für die das Fernsehgerät in den Bereitschaftsmodus geschaltet sein muss.

Kinder

- Sorgen Sie dafür, dass Kinder nicht auf das Fernsehgerät klettern.
- Bewahren Sie kleine Zubehörtteile außerhalb der Reichweite von Kindern auf, damit diese nicht irrtümlicherweise verschluckt werden.

Falls folgende Probleme auftreten...

Schalten Sie das Fernsehgerät sofort aus und ziehen Sie den Netzstecker aus der Steckdose, sobald eines der folgenden Probleme auftritt.

Wenden Sie sich an Ihren Händler oder das Sony Kundendienstzentrum, um es von qualifiziertem Fachpersonal überprüfen zu lassen.

Wenn:

- Das Netzkabel beschädigt ist.
- Der Stecker nicht fest in der Netzsteckdose sitzt.
- Das Fernsehgerät durch Fallen, Stoßen oder einen geworfenen Gegenstand beschädigt ist.
- Flüssigkeit oder Fremdkörper durch die Öffnungen in das Fernsehgerät gelangen.

Hinweis zur Temperatur des LCD-Bildschirms

Wenn der LCD-Bildschirm längere Zeit genutzt wird, erwärmt sich der Bereich um den Bildschirm herum. Dieser Bereich kann sich heiß anfühlen, wenn Sie ihn mit der Hand berühren.

WANDHALTERUNG

Die unten aufgeführten Informationen zeigen die korrekte Handhabung der Wandhalterung. Lesen Sie sich diese Informationen sorgfältig durch und verwenden Sie die Wandhalterung korrekt.

An die Kunden:

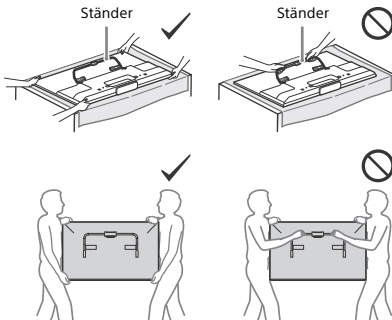
Beachten Sie unbedingt die folgenden Vorsichtsmaßnahmen, um ernsthaft Verletzungen durch Feuer, Stromschlag sowie das Umkippen oder Herunterfallen des Produktes zu vermeiden.

- Überlassen Sie die Installation lizenzierten Fachleuten und halten Sie kleine Kinder während der Installation fern.
- Überlassen Sie die Umpositionierung oder Demontage des Fernsehgeräts lizenzierten Fachleuten.
- Entfernen Sie keine Schrauben usw., nachdem Sie das Fernsehgerät installiert haben.
- Nehmen Sie keine Veränderungen an den Teilen der Wandhalterung vor.
- Befestigen Sie außer dem angegebenen Produkt keine anderen Geräte.
- Belasten Sie die Wandhalterung nicht mit zusätzlichem Gewicht außer dem Fernsehgerät.
- Lehnen und hängen Sie sich nicht an das Fernsehgerät.
- Üben Sie während der Reinigung oder Wartung keine übermäßige Gewalt auf das Fernsehgerät aus.

An Sony-Händler und -Subunternehmer:

Die folgenden Anleitungen gelten nur für Sony-Händler und -Subunternehmer. Lesen Sie sich die unten beschriebenen Sicherheitshinweise durch und legen Sie insbesondere während der Installation, Wartung und Überprüfung des Produkts großen Wert auf die Sicherheit.

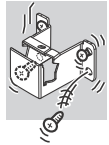
- Halten Sie das Fernsehgerät an den Seiten fest, wenn Sie damit umgehen oder es befestigen. Heben Sie das Fernsehgerät nicht am Ständer an.



- Montieren Sie die Wandhalterung nicht auf Wandflächchen, an denen die Ecken oder Seiten des Fernsehgeräts gegenüber der Wandoberfläche vorstehen.



- Installieren Sie das Fernsehgerät nicht über oder unter einem Klimagerät.
- Achten Sie darauf, die Wandhalterung gemäß den Anweisungen in dieser Anleitung sicher an der Wand zu installieren. Wenn die Schrauben lose sind oder herausfallen, kann die Wandhalterung herunterfallen und Verletzungen oder Sachschäden verursachen.
- Verwenden Sie unbedingt die mitgelieferten Schrauben und Befestigungsteile ordnungsgemäß gemäß den Anweisungen in dieser Anleitung. Wenn Sie Ersatzartikel verwenden, kann das Fernsehgerät herunterfallen und Verletzungen verursachen oder das Fernsehgerät beschädigen.
- Achten Sie darauf, die Halterung ordnungsgemäß entsprechend den in dieser Anleitung beschriebenen Schritten zusammenzubauen.
- Achten Sie darauf, die Schrauben sicher an den gekennzeichneten Positionen festzuziehen.
- Setzen Sie das Fernsehgerät während der Installation keinen Erschütterungen aus.
- Installieren Sie das Fernsehgerät an einer Wand, die sowohl lotrecht als auch eben ist.
- Sichern Sie nach der ordnungsgemäßen Installation des Fernsehgeräts die Kabel ebenfalls ordnungsgemäß.
- Achten Sie darauf, dass das Netzkabel oder die Verbindungskabel nicht eingeklemmt werden, da die innenliegenden Adern freigelegt werden könnten, was einen Kurzschluss oder eine Spannungsunterbrechung verursachen könnte.



Sicherheitsmassnahmen

Fernsehen

- Beim Anschauen von 3D-Videobildern oder beim Spielen von räumlichen 3D-Spielen verspüren manche Menschen Unwohlsein (Überlastung der Augen, Müdigkeit oder Übelkeit). Sony empfiehlt, dass alle Zuschauer beim Betrachten von 3D-Videobildern bzw. beim Spielen von räumlichen 3D-Spielen regelmäßig Pausen einlegen. Die Länge und Häufigkeit der notwendigen Pausen variiert von Person zu Person. Sie müssen für sich entscheiden, was am besten ist. Sollten irgendwelche Beschwerden auftreten, dürfen Sie nicht weiter 3D-Videobilder anschauen oder räumliche 3D-Spiele spielen, bis das Unwohlsein vorüber ist. Konsultieren Sie gegebenenfalls einen Arzt. Schlagen Sie auch (i) in der Bedienungsanleitung von einem anderen Gerät oder Medium nach, das Sie zusammen mit dem Fernsehgerät verwenden, sowie (ii) auf unserer Website (<http://support.sony-europe.com/>), wo Sie aktuelle Informationen finden. Bei kleinen Kindern (besonders bei Kindern unter sechs Jahren) entwickelt sich das Sehvermögen noch. Wenden Sie sich an einen Arzt (wie z. B. einen Kinder- oder Augenarzt), bevor Sie kleinen Kindern erlauben, 3D-Videobilder anzusehen oder räumliche 3D-Spiele zu spielen. Erwachsene sollten Kinder beaufsichtigen, um sicherzustellen, dass diese die oben aufgeführten Empfehlungen befolgen.
- Verwenden, lagern und belassen Sie die 3D-Brille oder die Batterie nicht in der Nähe eines Feuers oder an Orten mit hohen Temperaturen, z. B. in direktem Sonnenlicht oder in durch die Sonne aufgewärmten Autos.
- Wenn Sie die simulierte 3D-Funktion verwenden, beachten Sie bitte, dass das angezeigte Bild aufgrund der von diesem Fernsehgerät vorgenommenen Konvertierung vom Original abweicht.
- Schauen Sie bei gemäßigter Beleuchtung fern. Durch falsche Beleuchtung oder langes Fernsehen werden die Augen belastet.
- Stellen Sie beim Verwenden von Kopfhörern die Lautstärke moderat ein. Andernfalls kann es zu Gehörschäden kommen.

LCD-Bildschirm

- Obwohl bei der Herstellung des LCD-Bildschirms mit hochpräziser Technologie gearbeitet wird und der Bildschirm 99,99% und mehr effektive Pixel besitzt, ist es möglich, dass dauerhaft einige schwarze oder leuchtende Punkte (rot, grün oder blau) sichtbar sind. Es handelt sich dabei um eine strukturelle Eigenschaft von LCD-Bildschirmen und nicht um eine Fehlfunktion.
- Stoßen Sie nicht gegen den Filter an der Vorderseite, zerkratzen Sie ihn nicht und stellen Sie nichts auf dieses Fernsehgerät. Das Bild kann ungleichmäßig werden und der LCD-Bildschirm kann beschädigt werden.
- Wenn dieses Fernsehgerät an einem kalten Ort verwendet wird, kommt es möglicherweise zu Schmierstreifen im Bild oder das Bild wird dunkel. Dabei handelt es sich nicht um ein Versagen. Diese Effekte verschwinden, wenn die Temperatur steigt.
- Wenn Standbilder längere Zeit angezeigt werden, kann es zu Doppelbildern kommen. Dieser Effekt verschwindet in der Regel nach einigen Augenblicken.
- Bildschirm und Gehäuse erwärmen sich, wenn das Fernsehgerät in Betrieb ist. Dies ist keine Fehlfunktion.
- Der LCD-Bildschirm enthält eine kleine Menge Flüssigkristalle. Befolgen Sie bei der Entsorgung die bei Ihnen geltenden Entsorgungsrichtlinien.

Pflegen und Reinigen der Bildschirmoberfläche bzw. des Gehäuses des Fernsehgeräts

Trennen Sie das Netzkabel unbedingt von der Netzsteckdose, bevor Sie das Gerät reinigen.

Um Materialschäden oder Schäden an der Bildschirmbeschichtung zu vermeiden, beachten Sie bitte folgende Vorsichtsmaßnahmen.

- Entfernen Sie Staub vorsichtig mit einem weichen Tuch von der Bildschirmoberfläche bzw. dem Gehäuse. Bei stärkerer Verschmutzung feuchten Sie ein weiches Tuch leicht mit einer milden Reinigungslösung an und wischen dann über den Bildschirm.
- Sprühen Sie niemals Wasser oder Reinigungsmittel direkt auf das Fernsehgerät. Es kann bis zur Unterseite des Bildschirms oder der Außenteile laufen und in das Fernsehgerät gelangen und so Schäden am Fernsehgerät verursachen.
- Verwenden Sie keine Scheuerschwämme, keine alkalischen/säurehaltigen Reinigungsmittel, kein Scheuerpulver oder flüchtige Lösungsmittel wie Alkohol, Benzin, Verdünnung oder Insektizide. Wenn Sie solche Mittel verwenden oder das Gerät längere Zeit mit Gummi- oder Vinylmaterialien in Berührung kommt, kann es zu Schäden an der Bildschirm- oder der Gehäuseoberfläche kommen.
- Um eine ausreichende Belüftung zu gewährleisten, wird regelmäßiges Staubsaugen der Lüftungsöffnungen empfohlen.
- Wenn Sie den Winkel des Fernsehgeräts einstellen, bewegen Sie das Fernsehgerät mit Vorsicht, damit es nicht verrutscht oder vom Ständer fällt.

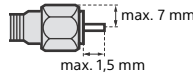


Sonderzubehör

- Halten Sie Zusatzteile oder Geräte mit elektromagnetischer Strahlung von dem Fernsehgerät fern. Andernfalls können Bild- und/oder Tonstörungen auftreten.
- Dieses Gerät wurde geprüft und erfüllt die EMV-Richtlinie, sofern ein Signalverbindungskabel von unter 3 m Länge verwendet wird.

Empfehlung für Stecker des F-Typs

Der Vorsprung der inneren Leitung ab dem Verbindungsteil darf höchstens 1,5 mm betragen.



(Referenzabbildung für Stecker des F-Typs)

Vorsichtsinweis zum Umgang mit der Fernbedienung

- Achten Sie beim Einsetzen von Batterien auf die richtige Polung.
- Verwenden Sie Batterien unterschiedlicher Typen nicht gemeinsam und auch nicht alte und neue Batterien zusammen.
- Entsorgen Sie verbrauchte Batterien umweltschonend. Beachten Sie bitte geltende Entsorgungsrichtlinien für Batterien. Wenden Sie sich ggf. an die zuständige Behörde.
- Behandeln Sie die Fernbedienung sorgfältig. Lassen Sie sie nicht fallen, treten Sie nicht darauf und schütten Sie keine Flüssigkeiten darauf.
- Bewahren Sie die Fernbedienung nicht neben einer Wärmequelle, unter direkter Sonneneinstrahlung oder an einem feuchten Ort auf.

Drahtlosfunktion des Geräts

- Das Gerät darf nicht in der Nähe medizinischer Geräte (Schrittmacher usw.) betrieben werden, da deren Funktionsweise dadurch beeinträchtigt werden kann.
- Obwohl dieses Gerät verschlüsselte Signale sendet/empfängt, müssen Sie sich vor nicht autorisiertem Empfang von Signalen schützen. Für etwaige Probleme diesbezüglich kann keine Haftung übernommen werden.

WANDHALTERUNG

- Wenn Sie das Fernsehgerät, das an der Wandhalterung angebracht ist, längere Zeit verwenden, kann sich, abhängig vom Material der Wand, die Wand hinter oder über dem Fernsehgerät verfärben oder die Tapete kann sich lösen.
- Wenn die Wandhalterung nach der Montage an der Wand entfernt wird, bleiben die Schraubenbohrungen zurück.
- Verwenden Sie die Wandhalterung nicht an einem Ort, an dem sie mechanischen Vibrationen ausgesetzt ist.

Entsorgen des Fernsehgeräts



Entsorgung von gebrauchten elektrischen und elektronischen Geräten (anzuwenden in den Ländern der Europäischen Union und anderen europäischen Ländern mit einem separaten Sammelsystem für diese Geräte)

Das Symbol auf dem Produkt oder seiner

Verpackung weist darauf hin, dass dieses Produkt nicht als normaler Haushaltsabfall zu behandeln ist, sondern an einer Annahmestelle für das Recycling von elektrischen und elektronischen Geräten abgegeben werden muss. Durch Ihren Beitrag zum korrekten Entsorgen dieses Produkts schützen Sie die Umwelt und die Gesundheit Ihrer Mitmenschen. Umwelt und Gesundheit werden durch falsches Entsorgen gefährdet.

Materialrecycling hilft, den Verbrauch von Rohstoffen zu verringern. Weitere Informationen zum Recycling dieses Produkts erhalten Sie bei Ihrer Gemeindeverwaltung, den kommunalen Entsorgungsbetrieben oder dem Geschäft, in dem Sie das Produkt gekauft haben.



**Entsorgung von gebrauchten
Batterien und Akkus (anzuwenden
in den Ländern der Europäischen
Union und anderen europäischen
Ländern mit einem separaten
Sammelsystem für diese Produkte)**

Das Symbol auf der Batterie/dem Akku oder der Verpackung weist darauf hin, dass diese nicht als normaler Haushaltsabfall zu behandeln sind. Ein zusätzliches chemisches Symbol Pb (Blei) oder Hg (Quecksilber) unter der durchgestrichenen Mülltonne bedeutet, dass die Batterie/der Akku einen Anteil von mehr als 0,0005% Quecksilber oder 0,004% Blei enthält. Durch Ihren Beitrag zum korrekten Entsorgen dieser Batterien/Akkus schützen Sie die Umwelt und die Gesundheit Ihrer Mitmenschen. Umwelt und Gesundheit werden durch falsches Entsorgen gefährdet. Materialrecycling hilft, den Verbrauch von Rohstoffen zu verringern. Bei Produkten, die auf Grund ihrer Sicherheit, der Funktionalität oder als Sicherung vor Datenverlust eine ständige Verbindung zur eingebauten Batterie benötigen, sollte die Batterie nur durch qualifiziertes Servicepersonal ausgetauscht werden. Um sicherzustellen, dass die Batterie korrekt entsorgt wird, geben Sie das Produkt zwecks Entsorgung an einer Annahmestelle für das Recycling von elektrischen und elektronischen Geräten ab. Für alle anderen Batterien entnehmen Sie die Batterie bitte entsprechend dem Kapitel über die sichere Entfernung der Batterie. Geben Sie die Batterie an einer Annahmestelle für das Recycling von Batterien/Akkus ab. Weitere Informationen über das Recycling dieses Produkts oder der Batterie erhalten Sie von Ihrer Gemeinde, den kommunalen Entsorgungsbetrieben oder dem Geschäft, in dem Sie das Produkt gekauft haben. Hinweis für Lithiumbatterien: Bitte geben Sie nur entladene Batterien an den Sammelstellen ab. Wegen Kurzschlussgefahr überkleben Sie bitte die Pole der Batterie mit Klebestreifen. Sie erkennen Lithiumbatterien an den Abkürzungen Li oder CR.

Montieren des Fernsehgeräts an der Wand

An die Kunden

Für die Montage dieses Produktes sind ausreichende Fachkenntnisse erforderlich. Überlassen Sie die Montage unbedingt einem Sony-Händler oder lizenzierten Fachleuten und legen Sie während der Montage großen Wert auf die Sicherheit. Sony haftet nicht für Schäden oder Verletzungen durch die fehlerhafte Handhabung oder unsachgemäße Montage oder die Montage eines anderen als des angegebenen Produktes. Ihre gesetzlichen Rechte (sofern gegeben) sind davon nicht betroffen.

An Sony-Händler und -Fachleute

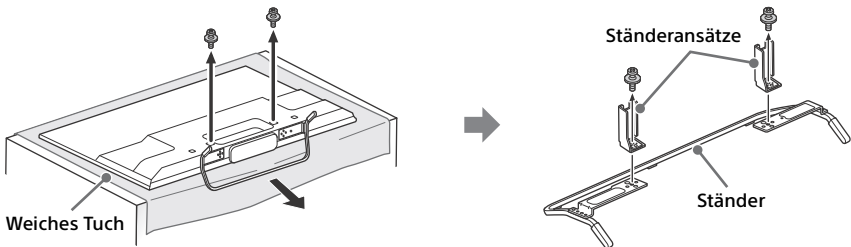
Für die Montage dieses Produktes sind ausreichende Fachkenntnisse erforderlich. Lesen Sie sich diese Anleitung sorgfältig durch, um die Montagearbeiten sicher durchführen zu können. Sony haftet nicht für Schäden oder Verletzungen durch eine fehlerhafte Handhabung oder unsachgemäße Montage.

Der Tischständer des Fernsehgeräts wird als Teil der Wandhalterung verwendet.

Anmerkung

- Beachten Sie Seite 3 (Sicherheitsinformationen) und Seite 5 (Sicherheitsmassnahmen) der WANDHALTERUNG, bevor Sie die Montage der Wandhalterung durchführen.
- Wenn der Tischständer am Fernsehgerät angebracht ist, lösen Sie den Tischständer vorher.
- Legen Sie das Fernsehgerät mit der Bildschirmseite nach unten auf eine flache und stabile Oberfläche, die mit einem dicken und weichen Tuch bedeckt ist, das größer als das Fernsehgerät ist, wenn Sie den Ständer sichern oder den Tischständer vom Fernsehgerät abnehmen, um Schäden an der Oberfläche des LCD-Displays zu vermeiden.
- Wenn die Ständeransätze vom Ständer gelöst wurden, achten Sie darauf, dass Sie die Ständeransätze und die Schrauben an einem sicheren Ort aufbewahren.
- Wenn Sie den Tischständer erneut anbringen, achten Sie darauf, die Schrauben (die Sie zuvor entfernt haben) in den ursprünglichen Bohrungen an der Rückseite des Fernsehgeräts zu befestigen.
- Achten Sie darauf, dass sich das Fernsehgerät in der vertikalen Position befindet, bevor Sie es einschalten. Schalten Sie das Fernsehgerät keinesfalls ein, wenn der LCD-Bildschirm nach unten weist, um ein ungleichmäßiges Bild zu vermeiden.

So lösen Sie den Tischständer vom Fernsehgerät

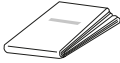


Installieren der Halterungen an der Wand

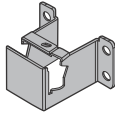
1 Legen Sie die notwendigen Teile bereit.

Zubehör für die Wandhalterung (mitgeliefert)

(A) Papierschablone



(B) Wandhalterungsbasis
KDL-50W82xB,
KDL-50W81xB,
KDL-50W80xB,
KDL-50W70xB (2)
KDL-42W82xB,
KDL-42W81xB,
KDL-42W80xB,
KDL-42/32W70xB (1)



(C) Ständerschutz
KDL-50W82xB,
KDL-50W81xB,
KDL-50W80xB,
KDL-50W70xB (2)
KDL-42W82xB,
KDL-42W81xB,
KDL-42W80xB,
KDL-42/32W70xB (1)



(D) Schraube
(+PSW 6 × 12) (2)



(E) Abstandshalter (2)



(F) Halterungssockelplatte
KDL-50W82xB,
KDL-50W81xB,
KDL-50W80xB,
KDL-50W70xB (2)
KDL-42W82xB,
KDL-42W81xB,
KDL-42W80xB,
KDL-42/32W70xB (1)

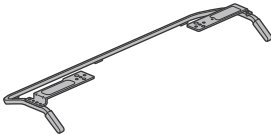


(G) Schraube (+PSW 4 × 10)
KDL-50W82xB,
KDL-50W81xB,
KDL-50W80xB,
KDL-50W70xB (2)
KDL-42W82xB,
KDL-42W81xB,
KDL-42W80xB,
KDL-42/32W70xB (1)



Ständer (mitgeliefert)

(H)

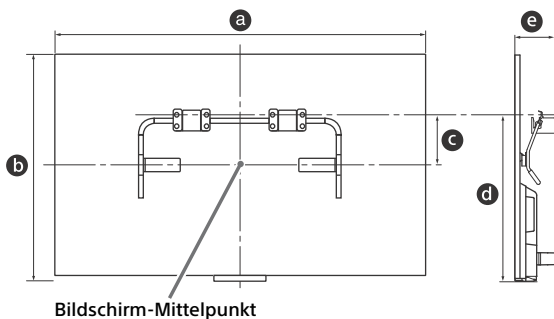


Schrauben für Wandhalterungsbasis (8 mm im Durchmesser, nicht mitgeliefert)

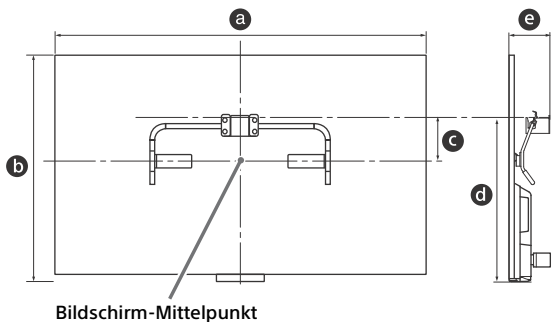
KDL-50W82xB,
KDL-50W81xB,
KDL-50W80xB,
KDL-50W70xB (8)
KDL-42W82xB,
KDL-42W81xB,
KDL-42W80xB,
KDL-42/32W70xB (4)

- 2** Stellen Sie sicher, dass an der Wand ausreichend Platz ist und sie mindestens das vierfache Gewicht des Fernsehgeräts tragen kann.
Beachten Sie die folgenden Tabelle bei der Montage des Fernsehgeräts an der Wand.
Siehe Seite 16-19 (Technische Daten) zum Gewicht des Fernsehgeräts.

KDL-50W82xB, KDL-50W81xB, KDL-50W80xB, KDL-50W70xB



KDL-42W82xB, KDL-42W81xB, KDL-42W80xB, KDL-42/32W70xB



Einheit: cm

Modellbezeichnung KDL-	Displayabmessungen		Bildschirmmittenabmessung	Länge für die Montage	
	a	b	c	d	e
50W82xB/ 50W81xB/ 50W80xB/ 50W70xB	111,6	65,6	13,0	46,9	11,8
42W82xB/ 42W81xB/ 42W80xB/ 42W70xB	95,8	56,3	17,5	46,5	11,8
32W70xB	72,9	43,3	18,8	41,3	11,3

Anmerkung

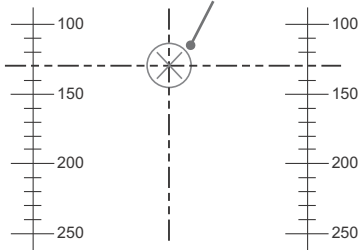
- Die Zahlen in der Tabelle können je nach der Installation geringfügig abweichen.

- 3** Machen Sie auf der Papierschablone **(A)** eine Markierung, die die Mitte des Bildschirms des Fernsehgeräts kennzeichnet.

**KDL-50W82xB, KDL-50W81xB,
KDL-50W80xB, KDL-50W70xB**

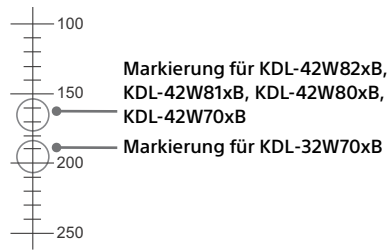
Skala auf Papierschablone **(A)**

Markierung für KDL-50W82xB, KDL-50W81xB,
KDL-50W80xB, KDL-50W70xB



**KDL-42W82xB, KDL-42W81xB,
KDL-42W80xB, KDL-42/32W70xB**

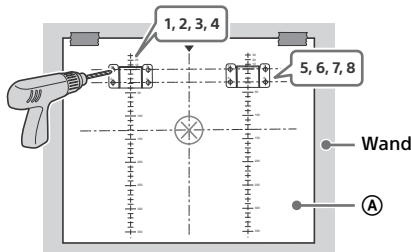
Skala auf Papierschablone **(A)**



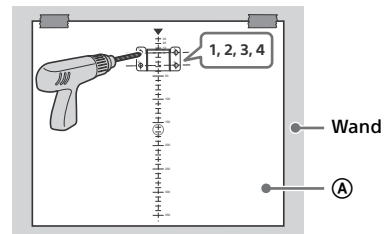
DE

- 4** Kleben Sie die Papierschablone **(A)** an die Wand und bohren Sie mit einer elektrischen Bohrmaschine Bohrungen entsprechend der Nummerierung auf der Papierschablone **(A)**.

**KDL-50W82xB, KDL-50W81xB,
KDL-50W80xB, KDL-50W70xB**



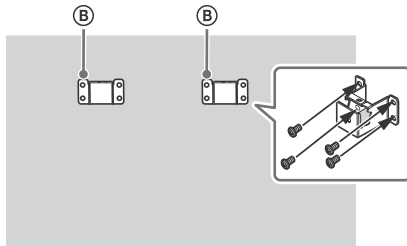
**KDL-42W82xB, KDL-42W81xB,
KDL-42W80xB, KDL-42/32W70xB**



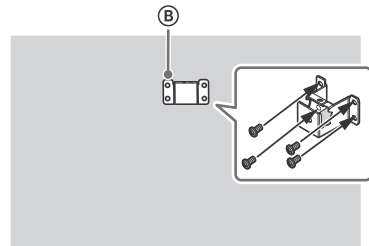
- 5** Entfernen Sie die Papierschablone **(A)** von der Wand.

- 6** Bringen Sie die Wandhalterungsbasis **(B)** mit den Schrauben (8 mm im Durchmesser, nicht mitgeliefert) korrekt an der Wand an.

**KDL-50W82xB, KDL-50W81xB,
KDL-50W80xB, KDL-50W70xB**

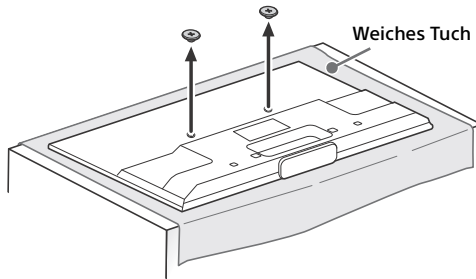


**KDL-42W82xB, KDL-42W81xB,
KDL-42W80xB, KDL-42/32W70xB**



Vorbereitung der Montage des Fernsehgeräts

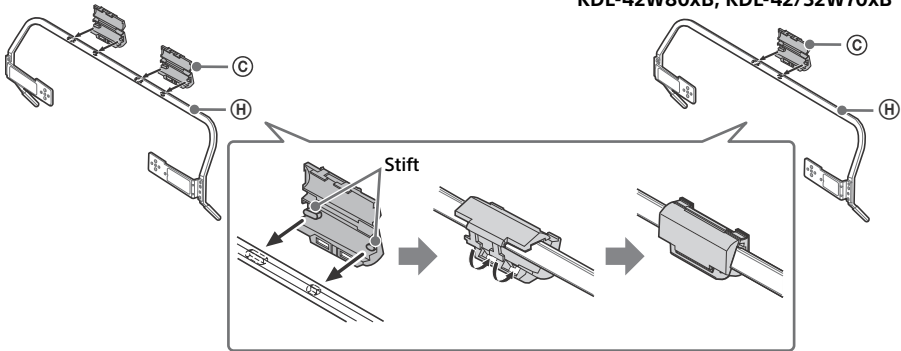
- 1 Entfernen Sie die Schrauben an der Rückseite des Fernsehgeräts. Achten Sie darauf, die entfernten Schrauben an einem sicheren Ort aufzubewahren und sie von Kindern fernzuhalten.



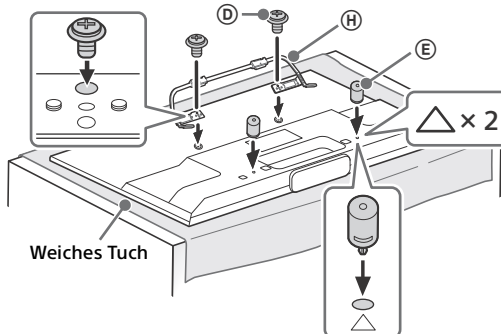
- 2 Führen Sie den Stift (am Ständerschutz ©) in die Bohrung am Ständer (H) und falten Sie dann den Ständerschutz © zusammen. Überprüfen Sie, ob der Ständerschutz © fest in den Ständer (H) eingerastet ist.

KDL-50W82xB, KDL-50W81xB,
KDL-50W80xB, KDL-50W70xB

KDL-42W82xB, KDL-42W81xB,
KDL-42W80xB, KDL-42/32W70xB

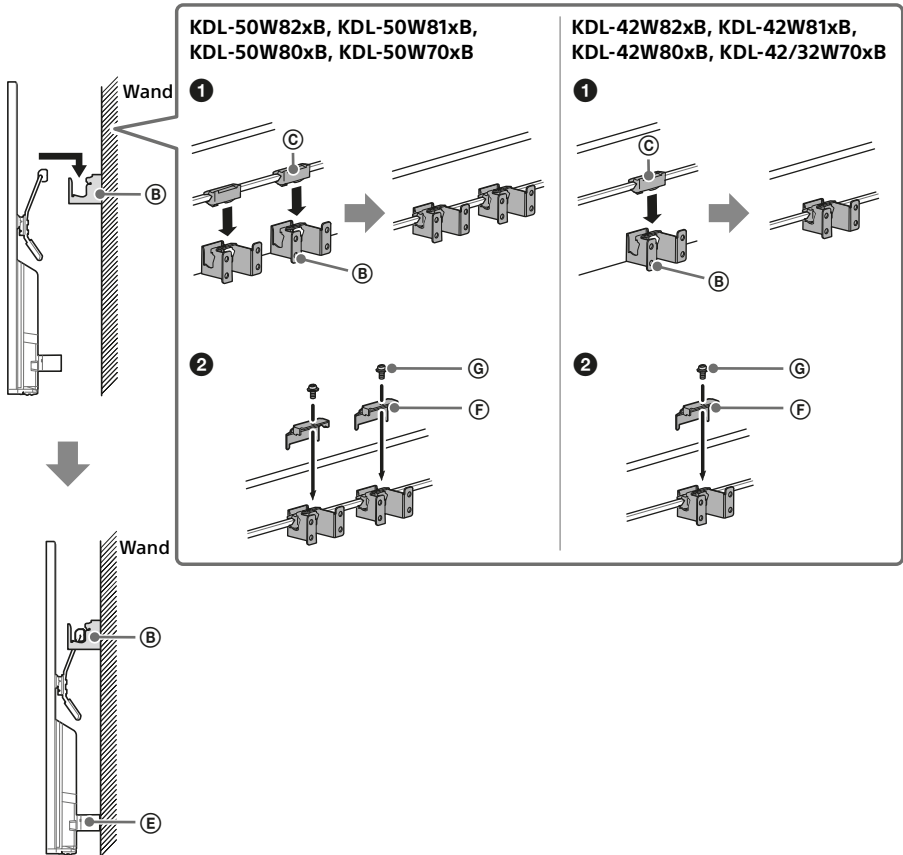


- 3 Bringen Sie den Ständer (H) mit den mitgelieferten Schrauben (D) am Fernsehgerät an. Bringen Sie die Abstandshalter (E) an den Bohrungen an, die durch dreieckige Markierungen gekennzeichnet sind Δ . Der KDL-50W82xB, KDL-50W81xB, KDL-50W80xB, KDL-50W70xB wird zu Illustrationszwecken verwendet.



Montieren des Fernsehgeräts an der Wand

- 1 Stellen Sie sicher, dass Sie die Kabel verbinden und bündeln, bevor Sie das Fernsehgerät an der Wand montieren.
- 2 Montieren Sie das Fernsehgerät an der Wand. Überprüfen Sie dann, ob der Ständerschutz © fest in die Wandhalterungsbasis ② eingerastet ist und die Abstandshalter ③ die Wand berühren. Bringen Sie die Halterungssockelplatte ④ mit den mitgelieferten Schrauben ⑤ an.

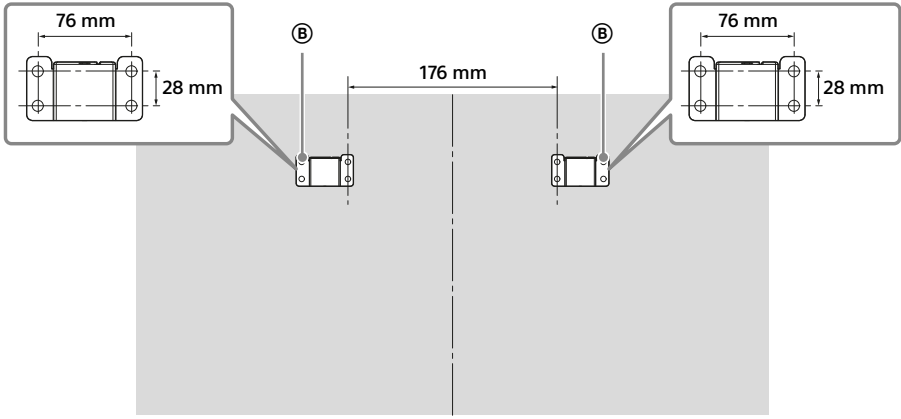


Abmessungen der Bohrungspositionen an der Wand

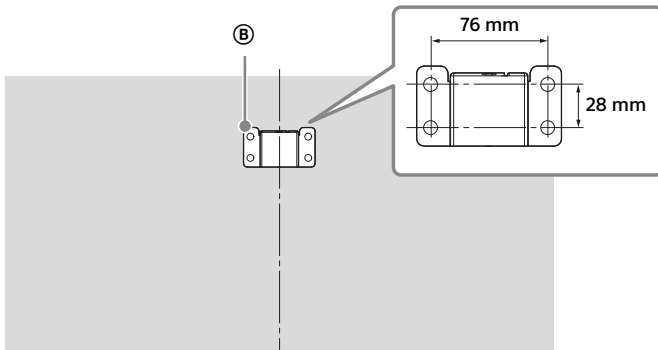
Stellen Sie dem lizenzierten Fachmann bei Bedarf folgende Informationen zur Verfügung.
Verwenden Sie Schrauben (8 mm Durchmesser, nicht mitgeliefert), um die Wandhalterungsbasis (B) an der Wand zu montieren.

Verwenden Sie unbedingt die mitgelieferte Papierschablone (A), die die tatsächliche Position der Wandbefestigungsbasis für eine einfache Montage zeigt.

KDL-50W82xB, KDL-50W81xB, KDL-50W80xB, KDL-50W70xB



KDL-42W82xB, KDL-42W81xB, KDL-42W80xB, KDL-42/32W70xB



Anleitungen zur Montage der Wandhalterung für Ihr TV-Modell finden Sie auf der folgenden Website:
www.sony.eu/tv/wall-mount-bracket-manual

Störungsbehebung

Wenn die Beleuchtungs-LED rot blinkt, zählen Sie die Anzahl der Blinkvorgänge (die Intervallzeit beträgt drei Sekunden).

Wenn die Beleuchtungs-LED rot blinkt, setzen Sie das Fernsehgerät zurück, indem Sie das Netzkabel zwei Minuten lang vom Fernsehgerät trennen und dann das Fernsehgerät einschalten.

Wenn das Problem weiterhin besteht, wenden Sie sich an Ihren Händler oder den Sony-Kundendienst und geben Sie an, wie häufig die Beleuchtungs-LED rot blinkt (die Intervallzeit liegt bei drei Sekunden). Drücken Sie I/⏻ am Fernsehgerät, um es auszuschalten, trennen Sie das Netzkabel und informieren Sie Ihren Händler oder den Sony-Kundendienst.

Wenn die Beleuchtungs-LED nicht blinkt, überprüfen Sie die Punkte der folgenden Tabellen.

Sie können unter [Störungsbehebung] im i-Manual nachschlagen oder eine Selbstdiagnose durchführen, indem Sie ? [Hilfe] → [Kundenservice & Hilfe] → [Selbstdiagnose] auswählen. Wenn das Problem weiterhin besteht, lassen Sie das Fernsehgerät von einem qualifizierten Kundendiensttechniker warten.

Probleme und Lösungen

Es wird kein Bild angezeigt (Bildschirm ist dunkel) und es ist kein Ton zu hören.

- Prüfen Sie die Antennen- oder Kabelverbindung.
- Schließen Sie das Fernsehgerät an die Netzsteckdose an und drücken Sie am Fernsehgerät oder auf der Fernbedienung auf I/⏻.

Einige Programme können nicht eingestellt werden.

- Prüfen Sie die Antenne bzw. die Satellitenschüssel.
- Das Satellitenkabel kann kurzgeschlossen sein oder es kann sich um Anschlussprobleme des Kabels handeln. Bitte überprüfen Sie das Kabel und den Anschluss und schalten Sie das Fernsehgerät mit dem Ein/Aus Schalter Aus und schalten es dann wieder Ein.
- Die von Ihnen eingegebene Frequenz ist außer Reichweite. Bitte wenden Sie sich an die zuempfangene Satellitensendeanstalt.

Es werden keine Kabelfernsehdienste (Sender) gefunden.

- Überprüfen Sie die Kabelverbindung bzw. die Tunerkonfiguration.
- Versuchen Sie [Auto. Digital-Suchlauf] durchzuführen, indem Sie [Antenne] statt [Kabel] auswählen.

Die Fernbedienung funktioniert nicht.

- Tauschen Sie die Batterien aus.
- Das Fernsehgerät befindet sich möglicherweise im SYNC-Modus. Drücken Sie **SYNC MENU**, wählen Sie [TV-Steuerung] und dann [Home (Menü)] oder [Optionen], um das Fernsehgerät zu bedienen.

Sie haben das Passwort für [Kindersicherung] vergessen.

- Geben Sie 9999 als PIN-Code ein. (Der PIN-Code 9999 wird immer akzeptiert.)

Das Gehäuse des Fernsehgeräts erwärmt sich.

- Wenn das Fernsehgerät lange Zeit verwendet wird, erwärmt sich das Gehäuse des Fernsehgeräts. Es fühlt sich möglicherweise heiß an, wenn Sie es mit der Hand berühren.

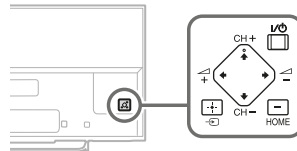
Eingefrorenes Audio oder Video, ein leerer Bildschirm, oder das Fernsehgerät spricht nicht auf die Tasten an Fernseher oder Fernbedienung an.

- Führen Sie einen einfachen Rücksetzvorgang des Fernsehgeräts aus, indem Sie das Netzkabel zwei Minuten lang abziehen und dann erneut einstecken.


Die Tasten I/⏻, CH+/-, ⏪ +/-, ⏩ +/-, ⏴/⏵/⏶/⏷, ⏸, [] und HOME sind auf dem Fernsehgerät nicht zu sehen.

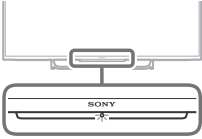
- Beachten Sie die Abbildung unten, um die Position der Tasten auf dem Fernsehgerät zu lokalisieren.

Rückseite des Fernsehgeräts



Die Beleuchtungs-LED ist aktiviert.


- Wenn Sie nicht möchten, dass die Beleuchtungs-LED leuchtet, können Sie sie deaktivieren. Drücken Sie **HOME** und wählen Sie dann  [Einstellungen] → [Systemeinstellungen] → [Allgemeine Einrichtung] → [Beleuchtungs-LED] → [Aus]. Sie können auch **OPTIONS** drücken und dann [Beleuchtungs-LED] → [Aus] wählen.



Es kann über WPS keine Verbindung mit einem Wireless-Router hergestellt werden.

- Wenn Sie WEP-Sicherheit verwenden, wählen Sie [Einfach] → [Wi-Fi] → [Über Suchlaufliste verbinden]. Wählen Sie dann den Netzwerknamen (SSID), mit dem Sie eine Verbindung herstellen möchten.

Der erforderliche Netzwerkname kann in der Netzwerkkonfiguration nicht gefunden werden.

- Wählen Sie [[Manueller Eintrag]] und drücken Sie , um den Netzwerknamen einzugeben.

Technische Daten

TV-System

Bildschirmssystem

LCD-Bildschirm (Flüssigkristallbildschirm),
LED-Hintergrundbeleuchtung

Fernsehnorm

Analog: Abhängig von der Landes-/
Bereichsauswahl: B/G, D/K, L, I, M
Digital: DVB-T/DVB-C
DVB-T2
Satellit: DVB-S/DVB-S2

Farb-/Videosystem

Analog: PAL, SECAM, NTSC3.58, NTSC4.43
Digital: Schlagen Sie im i-Manual nach.

Kanalbereich

Analog: UHF/VHF/Kabel, Abhängig von der
Landes-/Bereichsauswahl.
Digital: UHF/VHF/Kabel, Abhängig von der
Landes-/Bereichsauswahl.
Satellit: IF Frequenz 950-2150 MHz

Tonausgänge

8 W + 8 W (außer Modell KDL-32W70xB)
5 W + 5 W (nur KDL-32W70xB)

Wireless-Technologie

Protokoll IEEE802.11a/b/g/n

Eingangs-/Ausgangsbuchsen

Antennenkabel

75 Ohm, externer Anschluss für VHF/UHF

Satellitenantenn

Buchsenverbindung vom Typ F IEC169-24,
75 Ohm.
DiSEqC 1.0, LNB 13 V/18 V & 22 kHz Ton,
Unicable EN50494.

/ AV1

21-poliger Scart-Anschluss (CENELEC-Standard)
mit Audio-/Videoeingang, RGB-Eingang und
Audio-/Videoausgang für Fernsehsignale.

/ COMPONENT IN

YPbPr (Komponenten-Video): 1080p (50, 60 Hz),
1080i (50, 60 Hz), 720p (50, 60 Hz), 576p, 576i,
480p, 480i
Audioeingang (Cinchstecker)

AV2

Videoeingang (gängiger Cinchstecker mit
Y-Eingang)

HDMI IN 1, 2, 3, 4 (außer Modell

KDL-50/42/32W70xB)

Video (2D): 1080p (30, 50, 60 Hz), 1080/24p, 1080i (50, 60 Hz), 720p (30, 50, 60 Hz), 720/24p, 576p, 576i, 480p, 480i, Computerformate

Video (3D):

Frame Packing: 1080p (30 Hz), 1080/24p, 1080i (50, 60 Hz), 720p (30, 50, 60 Hz), 720/24p

Nebeneinander: 1080p (50, 60 Hz), 1080/24p, 1080i (50, 60 Hz), 720p (50, 60 Hz)

Untereinander: 1080p (30, 50, 60 Hz), 1080/24p, 1080i (50, 60 Hz), 720p (50, 60 Hz)

Audio: 5.1-Kanal, lineares PCM: 32, 44,1 und 48 kHz, 16, 20 und 24 Bit, Dolby Digital ARC (Audio Return Channel: Audiorückkanal) (nur HDMI IN 2)

HDMI IN 1, 2, 3, 4 (nur KDL-50/42/32W70xB)

Video: 1080p (30, 50, 60 Hz), 1080/24p, 1080i (50, 60 Hz), 720p (30, 50, 60 Hz), 720/24p, 576p, 576i, 480p, 480i, Computerformate

Audio: 5.1-Kanal, lineares PCM: 32, 44,1 und 48 kHz, 16, 20 und 24 Bit, Dolby Digital ARC (Audio Return Channel: Audiorückkanal) (nur HDMI IN 2)

MHL (gängig bei HDMI IN 1)

(außer Modell KDL-50/42/32W70xB)

Video (2D): 1080p (30 Hz), 1080/24p, 1080i (50, 60 Hz), 720p (30, 50, 60 Hz), 720/24p, 576p, 576i, 480p, 480i

Video (3D):

Nebeneinander: 1080/24p, 1080i (50, 60 Hz), 720p (50, 60 Hz)

Untereinander: 1080p (30 Hz), 1080/24p, 1080i (50, 60 Hz), 720p (50, 60 Hz)

Audio: 5.1-Kanal, lineares PCM: 32, 44,1 und 48 kHz, 16, 20 und 24 Bit, Dolby Digital

MHL (gängig bei HDMI IN 1)

(nur KDL-50/42/32W70xB)

Video: 1080p (30 Hz), 1080/24p, 1080i (50, 60 Hz), 720p (30, 50, 60 Hz), 720/24p, 576p, 576i, 480p, 480i

Audio: 5.1-Kanal, lineares PCM: 32, 44,1 und 48 kHz, 16, 20 und 24 Bit, Dolby Digital

⊖ DIGITAL AUDIO OUT (OPTICAL)

Optische Digitalbuchse (zwei Kanäle, lineares PCM, Dolby Digital)

⊖ AUDIO OUT/⊖

Audioausgang (Stereo-Miniklinke)
Kopfhörerbuchse
(unterstützt Subwooferausgang)

⚡1 (HDD REC), ⚡2

USB-Festplatten-Geräteanschluss (nur ⚡1),
USB-Anschluss



Einschub CAM (Zugangskontrollmodul)

⊖ DC IN 19.5 V

Netzteilanschluss



LAN

10BASE-T/100BASE-TX-Anschluss (Je nach Betriebsumgebung des Netzwerks kann die Verbindungsgeschwindigkeit variieren.)

10BASE-T/100BASE-TX-Kommunikationsrate und Kommunikationsqualität können für dieses Fernsehgerät nicht garantiert werden.)

Sonstiges

Sonderzubehör

Touchpad-Fernbedienung: RMF-ED004

Kamera und Mikrofoneinheit: CMU-BR200/
CMU-BR100

Drahtloser Subwoofer: SWF-BR100

MHL-Kabel: DLC-MB10/DLC-MB20/DLC-MC10/
DLC-MC20

3D-Aktivbrille: TDG-BT500A (nur KDL-50W82xB,
KDL-50W81xB, KDL-50W80xB)



3D-Passivbrille: TDG-500P (nur KDL-42W82xB,
KDL-42W81xB, KDL-42W80xB)



Betriebstemperatur

0 °C – 40 °C

Luftfeuchtigkeit beim Betrieb

10 % – 80 % relative Luftfeuchtigkeit (nicht kondensierend)

Stromversorgung und Sonstiges

Betriebsspannung

19,5 V Gleichstrom mit Netzteil

Belastbarkeit: Eingang 220 V - 240 V

Wechselstrom, 50 Hz

Energieeffizienzklasse

KDL-50W82xB, KDL-50W81xB, KDL-50W80xB,

KDL-50W70xB: A++

KDL-42W82xB, KDL-42W81xB, KDL-42W80xB,

KDL-42W70xB: A+

KDL-32W70xB: A

Bildschirmgröße (Diagonale) (Ca.)

KDL-50W82xB, KDL-50W81xB, KDL-50W80xB,

KDL-50W70xB: 50 Zoll / 125,7 cm

KDL-42W82xB, KDL-42W81xB, KDL-42W80xB,

KDL-42W70xB: 42 Zoll / 106,7 cm

KDL-32W70xB: 32 Zoll / 80,1 cm

Stromverbrauch

im Modus [Standard]

KDL-50W82xB, KDL-50W81xB, KDL-50W80xB,
KDL-50W70xB: 51 W
KDL-42W82xB, KDL-42W81xB, KDL-42W80xB,
KDL-42W70xB: 50 W
KDL-32W70xB: 39 W

im Modus [Brillant]

KDL-50W82xB, KDL-50W81xB, KDL-50W80xB,
KDL-50W70xB: 100 W
KDL-42W82xB, KDL-42W81xB, KDL-42W80xB,
KDL-42W70xB: 99 W
KDL-32W70xB: 80 W

Durchschnittlicher Energieverbrauch im Jahr*1

KDL-50W82xB, KDL-50W81xB, KDL-50W80xB,
KDL-50W70xB: 71 kWh
KDL-42W82xB, KDL-42W81xB, KDL-42W80xB,
KDL-42W70xB: 69 kWh
KDL-32W70xB: 54 kWh

Stromverbrauch im Standby-Betrieb*2

0,5 W (10 W im Software-/EPG-
Aktualisierungsmodus)

Anzeigeauflösung

1.920 Punkte (horizontal) × 1.080 Zeilen (vertikal)

Abmessungen (Ca.) (B × H × T)

mit Tischständer

KDL-50W82xB, KDL-50W81xB, KDL-50W80xB,
KDL-50W70xB: 111,6 × 69,3 × 17,9 cm
KDL-42W82xB, KDL-42W81xB, KDL-42W80xB,
KDL-42W70xB: 95,8 × 60,0 × 17,0 cm
KDL-32W70xB: 72,9 × 46,5 × 14,1 cm

ohne Tischständer

KDL-50W82xB, KDL-50W81xB, KDL-50W80xB,
KDL-50W70xB: 111,6 × 65,6 × 6,4 cm
KDL-42W82xB, KDL-42W81xB, KDL-42W80xB,
KDL-42W70xB: 95,8 × 56,3 × 6,4 cm
KDL-32W70xB: 72,9 × 43,3 × 6,4 cm

Gewicht (Ca.)

mit Tischständer

KDL-50W82xB, KDL-50W81xB, KDL-50W80xB,
KDL-50W70xB: 14,8 kg
KDL-42W82xB, KDL-42W81xB, KDL-42W80xB,
KDL-42W70xB: 11,7 kg
KDL-32W70xB: 7,9 kg

ohne Tischständer

KDL-50W82xB, KDL-50W81xB, KDL-50W80xB,
KDL-50W70xB: 13,6 kg
KDL-42W82xB, KDL-42W81xB, KDL-42W80xB,
KDL-42W70xB: 10,5 kg
KDL-32W70xB: 6,9 kg

- *1 Der Energieverbrauch pro Jahr wurde basierend auf der Leistungsaufnahme des Fernsehgeräts bei einer Betriebsdauer von 4 Stunden täglich an 365 Tagen berechnet. Der tatsächliche Energieverbrauch hängt von der Verwendung des Fernsehgeräts ab.
- *2 Die angegebene Leistungsaufnahme im Standby-Betrieb wird erreicht, nachdem das Fernsehgerät die notwendigen internen Prozesse abgeschlossen hat.

Anmerkung

- Das „x“ in der Modellbezeichnung steht für eine Ziffer, die auf das Design, eine Farbvariante oder das Fernbedienungssystem hinweist.
- Entfernen Sie nicht die Kartenattrappe aus dem Einschub TV CAM (Zugangskontrollmodul), außer wenn Sie eine passende Smartcard in den CAM Einschub einsetzen möchten.
- Die Verfügbarkeit des optionalen Zubehörs hängt vom Land/der Region/dem Fernsehmodell/der Lagerhaltung ab.
- Änderungen, die dem technischen Fortschritt dienen, bleiben vorbehalten.
- Dieses Fernsehgerät umfasst MHL 2.

Anmerkungen zu Funktionen für digitale Sender

- Alle Funktionen, die sich auf digitales Fernsehen (DVB) beziehen, funktionieren nur in Ländern und Gebieten, in denen digitale terrestrische Fernsehsignale im Standard DVB-T/DVB-T2 (MPEG-2 und H.264/MPEG-4 AVC) ausgestrahlt werden oder in denen ein Zugang zu DVB-C-kompatiblen Kabeldiensten (MPEG-2 und H.264/MPEG-4 AVC) existiert. Bitte erkundigen Sie sich bei Ihrem Fachhändler vor Ort, ob an Ihrem Wohnort DVB-T/ DVB-T2-Signale empfangen werden können oder fragen Sie Ihren Kabelanbieter, ob dessen DVB-C-Kabeldienst mit dem Betrieb dieses Fernsehers kompatibel ist.
- Ihr Kabelanbieter kann für seine Dienste eine Gebühr oder die Anerkennung seiner Geschäftsbedingungen verlangen.
- Dieses Fernsehgerät erfüllt die DVB-T/ DVB-T2- und DVB-C-Spezifikationen. Die Kompatibilität mit zukünftigen digitalen terrestrischen DVB-T/DVB-T2- und DVB-C-Signalen ist jedoch nicht garantiert.
- In manchen Ländern/Gebieten sind u. U. einige Funktionen für digitales Fernsehen nicht verfügbar, sodass die Möglichkeit besteht, dass das DVB-C-Kabelsignal bei einigen Anbietern nicht einwandfrei funktioniert.

Information zu Warenzeichen

- Die Begriffe HDMI und HDMI High-Definition Multimedia Interface und das HDMI-Logo sind Markenzeichen oder eingetragene Markenzeichen von HDMI Licensing LLC in den Vereinigten Staaten und anderen Ländern.
- DLNA[®], das DLNA-Logo und DLNA CERTIFIED[®] sind Markenzeichen, Dienstleistungsmarken oder Zertifizierungsmarken von Digital Living Network Alliance.
- In Lizenz von Dolby Laboratories gefertigt. Dolby und das Doppel-D-Symbol sind Warenzeichen von Dolby Laboratories.
- „BRAVIA“ und BRAVIA sind Warenzeichen der Sony Corporation.
- TrackID ist ein Markenzeichen bzw. eingetragenes Warenzeichen der Sony Mobile Communications AB.
- Gracenote, Gracenote eyeQ, Gracenote VideoID, Gracenote Video Explore, Gracenote MusicID, das Gracenote-Logo und das Gracenote-Firmenlogo sowie das „Powered by Gracenote“-Logo sind entweder eingetragene Marken oder Marken von Gracenote in den Vereinigten Staaten und/oder anderen Ländern.
- Opera[®] Devices SDK from Opera Software ASA. Copyright 1995-2014 Opera Software ASA. All rights reserved.
- Wi-Fi, Wi-Fi Direct und Miracast sind Marken oder eingetragene Marken der Wi-Fi Alliance.
- Das „Sony Entertainment Network“-Logo und „Sony Entertainment Network“ sind Markenzeichen der Sony Corporation.
- MHL, Mobile High-Definition Link und das MHL-Logo sind Marken oder eingetragene Marken von MHL Licensing, LLC.
- Die DTS-Patente finden Sie unter <http://patents.dts.com>. Hergestellt unter Lizenz von DTS Licensing Limited. DTS, das Symbol, & DTS und das Symbol zusammen sind eingetragene Markenzeichen und DTS Digital Surround ist ein Markenzeichen von DTS, Inc. © DTS, Inc. Alle Rechte vorbehalten.
- Designed with UEI Technology[™]
Under License from Universal Electronics Inc. Portions © UEI 2000 – 2013
- Die Bluetooth[®]-Wortmarke und -Logos sind Eigentum der Bluetooth SIG, Inc. und werden von Sony Corporation unter Lizenz verwendet. Andere Markenzeichen und Markennamen sind Eigentum der jeweiligen Rechteinhaber.
- DiSEqC[™] ist ein Warenzeichen der EUTELSAT.
Dieses Fernsehgerät unterstützt DiSEqC 1.0.
Dieses Fernsehgerät eignet sich nicht zum Steuern von Motorantennen.

Índice

AVISO IMPORTANTE	2
Informações de segurança	3
Precauções	5
Instalação do televisor na parede	7
Instalação dos suportes na parede	8
Preparação da instalação do televisor	11
Instalação do televisor na parede	12
Resolução de problemas	14
Problemas e soluções	14
Características técnicas	15

Introdução

Obrigado por escolher este produto Sony. Antes de utilizar o televisor, leia este manual com atenção e guarde-o para futuras consultas.

Nota

- Antes de utilizar o televisor, leia "Informações de segurança" (página 3).
- As instruções sobre "Instalação do televisor na parede" são incluídas neste manual de instruções do televisor.
- As imagens e ilustrações utilizadas no Guia de Iniciação Rápida e neste manual destinam-se a ser utilizadas apenas como referência e podem ser diferentes do produto real.

Localização da etiqueta de identificação

As etiquetas com o N.º do Modelo do televisor, a Data de Produção (mês/ano) e a classificação de Alimentação encontram-se localizadas na parte traseira do televisor ou da embalagem.

As etiquetas com o N.º de Modelo e o N.º de Série do transformador de corrente estão situadas na base do mesmo.

AVISO

PARA EVITAR

INCÊNDIOS,

MANTENHA VELAS E OUTRAS

FONTES DE CHAMA ABERTA

SEMPRE AFASTADAS DESTE

PRODUTO.



AVISO IMPORTANTE

Este produto foi fabricado por ou em nome da Sony Corporation, 1-7-1 Konan Minato-ku Tokyo, 108-0075 Japão. As questões relativas à conformidade dos produtos com base na legislação da União Europeia devem ser dirigidas ao representante autorizado, Sony Deutschland GmbH, Hedelfinger Strasse 61, 70327 Stuttgart, Alemanha. Para quaisquer assuntos de serviço ou garantia, consulte os endereços fornecidos nos documentos de serviço ou de garantia.

Aviso para Sinal Sem Fios

Por este meio, a Sony Corporation declara que esta unidade está conforme com os requisitos essenciais e outras disposições da Diretiva 1999/5/CE.

Para mais informações, por favor consulte o seguinte URL:
<http://www.compliance.sony.de/>

Nota para os clientes: as seguintes informações apenas se aplicam a equipamento comercializado em países que aplicam as directivas da UE.

O sistema sem fios de televisor pode ser utilizado nos seguintes países:

AT, BE, HR, CY, CZ, DK, EE, FI, FR, DE, GR, HU, IE, IT, LV, LT, LU, MT, NL, PL, PT, SK, SI, ES, SE, GB, IS, LI, NO, CH, BG, RO, TR, AL, BA, MK, MD, RS, ME

Este equipamento pode ser utilizado noutros países não europeus.



Informações de segurança

ATENÇÃO

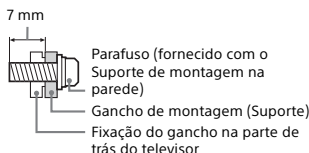
As bateria não podem ser expostas a calor excessivo, como à luz do sol, perto do fogo ou situações semelhantes.

Instalação/Programação

Instale e utilize o televisor conforme as instruções abaixo para evitar todo o risco de incêndio, choque elétrico ou avaria e/ou feridas.

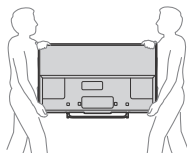
Instalação

- O televisor deve ser instalado perto de uma tomada de corrente elétrica facilmente acessível.
- Coloque o televisor numa superfície nivelada e estável, para evitar que caia e provoque ferimentos pessoais ou danos no televisor.
- Só técnicos de assistência qualificados devem realizar as instalações de parede.
- Por razões de segurança, recomendamos fortemente que utilize acessórios da Sony, a incluir:
 - Suporte de parede
- Certifique-se de que utiliza os parafusos fornecidos com o suporte de parede quando instalar os ganchos de montagem (suporte) no televisor. Os parafusos fornecidos têm a dimensão indicada pela ilustração quando medidos a partir da superfície de fixação do gancho de montagem (suporte). O diâmetro e o comprimento dos parafusos são diferentes dependendo do modelo de Suporte para montagem na parede. A utilização de parafusos diferentes dos fornecidos pode provocar avarias internas no televisor ou fazer com que caia, etc.



Transporte

- Antes de transportar o televisor, desligue todos os cabos.
- São necessárias duas ou mais pessoas para transportar um televisor de tamanho grande.
- Ao transportar manualmente o televisor, segure-o conforme é apresentado abaixo. Não faça pressão sobre o painel LCD nem sobre a moldura em redor do ecrã.



- Não exponha o televisor a choques ou vibrações excessivas durante o transporte.
- Se tiver que transportar o televisor ou levá-lo para reparações, utilize a caixa e os materiais de embalagem originais.

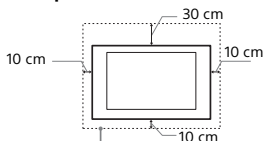
Prevenção de queda

- Antes de colocar o parafuso de montagem, coloque a face do ecrã numa superfície de trabalho estável, maior do que o televisor.
- Para evitar danificar a superfície do ecrã LCD, certifique-se de que coloca um pano macio na superfície de trabalho.

Ventilação

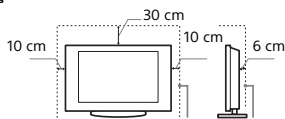
- Nunca tape os orifícios de ventilação nem introduza nenhum objeto na caixa.
- Deixe espaço à volta do televisor como mostrado abaixo.
- Recomendamos fortemente que utilize o suporte para montagem na parede da Sony para permitir uma circulação de ar adequada.

Instalação na parede



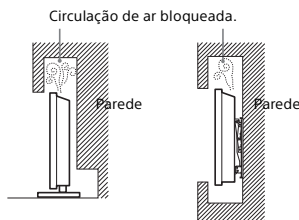
Deixe pelo menos este espaço à volta do televisor.

Instalação com base



Deixe pelo menos este espaço à volta do televisor.

- Para assegurar uma ventilação adequada e evitar a acumulação de sujidade ou poeira:
 - Não instale o televisor em posição horizontal, às avessas, para trás ou de lado.
 - Não coloque o televisor numa estante, num tapete, numa cama ou num armário.
 - Não tape o televisor com panos, por exemplo, cortinas nem com outros objetos, como jornais, etc.
 - Não instale o televisor como mostrado abaixo.



Cabo de alimentação

Manipule o cabo de alimentação e a tomada da seguinte maneira para evitar todo o risco de incêndio, choque elétrico ou avaria e/ou feridas:

- Utilize apenas um cabo de alimentação fornecido pela Sony e não por outros fornecedores.
- Introduza a ficha na tomada até ao fim.
- Este televisor funciona apenas com corrente alterna de 220-240 V.
- Por motivos de segurança, desligue o cabo de alimentação e evite que os seus pés fiquem entre os cabos quando efetuar as ligações.
- Desligue o cabo de alimentação da tomada elétrica antes de trabalhar com o televisor ou de deslocá-lo.
- Afaste o cabo de alimentação de fontes de calor.
- Desligue a ficha e limpe-a regularmente. Se a ficha estiver húmida e coberta de pó, o isolamento pode ficar danificado, o que pode provocar um incêndio.

Nota

- Não utilize o cabo de alimentação fornecido em qualquer outro equipamento.
- Não entale, dobre ou torça o cabo à força. Os fios principais podem ficar descarnados ou ser cortados.
- Não modifique o cabo de alimentação.
- Não coloque objetos pesados em cima do cabo de alimentação.
- Nunca puxe pelo próprio cabo de alimentação quando o desligar.
- Não ligue muitos aparelhos à mesma tomada.
- Não utilize uma tomada de corrente que não esteja bem presa à parede.

NOTA SOBRE O TRANSFORMADOR DE CORRENTE

Atenção

Para reduzir o risco de incêndio ou choque elétrico, não exponha este aparelho à chuva ou humidade.

Para evitar o risco de incêndio ou choque elétrico, não coloque recipientes com líquidos, como jarras, em cima do aparelho. Não instale este equipamento num espaço fechado, como uma estante ou uma unidade semelhante.

- Certifique-se de que a tomada de corrente elétrica está instalada perto do equipamento e é de fácil acesso.
- Certifique-se de que utiliza o transformador de corrente e o cabo de alimentação fornecidos.
- Não utilize outro transformador de corrente. Poderá provocar uma avaria.
- Ligue o transformador de corrente a uma tomada de corrente elétrica de fácil acesso.
- Não enrole o cabo de alimentação à volta do transformador de corrente. O fio do núcleo poderá quebrar e/ou provocar uma avaria no recetor multimédia.



- Não toque no transformador de corrente com as mãos molhadas.
- Se notar alguma anomalia num transformador de corrente, desligue-o imediatamente da tomada de corrente elétrica.
- Enquanto estiver ligado à tomada de corrente elétrica, o aparelho não está desligado da fonte de alimentação, mesmo que o próprio aparelho tenha sido desligado.
- Uma vez que o transformador de corrente fica quente quando é utilizado durante um longo período de tempo, poderá sentir a superfície quente ao tocar com a mão.

Utilização proibida

Não instale/utilize o televisor em locais, ambientes ou situações como os listados abaixo, ou, caso contrário, o televisor pode funcionar mal e provocar um incêndio, choque elétrico, avaria e/ou feridas.

Local:

- Ao ar livre (sob a luz solar direta), perto do mar, num navio ou outra embarcação, dentro de um veículo, em instituições médicas, locais instáveis, perto de água, chuva, humidade ou fumo.
- Se o televisor for colocado no balneário de uma piscina pública ou estância termal, o televisor poderá ficar danificado pelo enxofre presente no ar, etc.



- Para uma melhor qualidade de imagem, não exponha o ecrã a iluminação ou luz solar direta.
- Evite deslocar o televisor de um local frio para um local quente. As variações de temperatura do local podem provocar a condensação da humidade. Isto pode fazer com que o televisor apresente uma imagem de fraca qualidade e/ou fraca cor. Se isto acontecer, deixe que a humidade se evapore completamente antes de ligar o televisor.

Ambiente:

- Locais quentes, húmidos ou com muito pó; onde possam entrar insetos; onde possa estar sujeito a vibrações mecânicas, perto de objetos de fogo (velas, etc.). O televisor não deve ser exposto à água ou salpicos e não devem ser colocados quaisquer objetos que contenham líquidos, como por exemplo vasos, em cima do televisor.
- Não coloque o televisor num local húmido ou com poeiras ou numa divisão com fumo gorduroso ou vapor (junto de fogões ou humidificadores). Poderá ocorrer incêndio, choque elétrico ou deformação.



- Não instale o televisor em locais sujeitos a temperaturas muito elevadas, como, por exemplo, expostos à luz solar direta ou perto de um radiador ou aparelho de ar condicionado. O televisor poderá sobreaquecer nessa situação, o que pode causar a deformação da caixa e/ou uma avaria do televisor.



Situação:

- Não utilize o televisor quando tiver as mãos molhadas, com a tampa retirada, ou com acessórios não recomendados pelo fabricante. Desligue o televisor da tomada de corrente e da antena durante as trovoadas.
- Não instale o televisor de forma a que este fique projetado para um espaço aberto. Poderão ocorrer ferimentos ou danos provocados pelo facto de uma pessoa ou objeto bater no televisor.



Peças danificadas:

- Não lance nada contra o televisor. O vidro do ecrã pode partir-se devido ao impacto e provocar ferimentos graves.
- Se a superfície do televisor rachar, não toque nela até ter desligado o cabo de alimentação. Caso contrário, pode provocar um choque elétrico.

Quando não estiver a ser utilizado

- Se não vai utilizar o televisor durante vários dias, deve desligá-lo da alimentação por razões ambientais e de segurança.
- Como o televisor não está desligado da alimentação quando está apenas em estado de desligado, retire a ficha da tomada para desligar o televisor completamente.
- No entanto, alguns televisores possuem funções que precisam que o televisor fique no modo de espera (standby) para funcionarem corretamente.

Para as crianças

- Não deixe as crianças subir para o televisor.
- Mantenha os acessórios fora do alcance das crianças, para que não possam ser engolidos por engano.

Se ocorrerem os seguintes problemas...

Desligue o televisor e retire a ficha da tomada imediatamente se algum dos seguintes problemas ocorrer.

Dirija-se a um agente ou centro de assistência Sony para enviar o televisor a um técnico de assistência qualificado para verificação.

Quando:

- O cabo de alimentação estiver danificado.
- A tomada de corrente não estiver bem presa à parede.
- O televisor estiver danificado por ter caído, ter sofrido uma pancada ou ter sido lançada alguma coisa contra ele.
- Se algum líquido ou objeto sólido penetrar nos orifícios da caixa.

Acerca da Temperatura do Monitor LCD

Quando o monitor LCD é utilizado durante um período de tempo prolongado, a área em volta do painel aquece. Poderá sentir a superfície quente ao tocar com a mão.

SUPOORTE DE PAREDE

As informações abaixo apresentadas descrevem a correta utilização do suporte de parede. Leia estas informações na íntegra e utilize o suporte de parede corretamente.

Para os clientes:

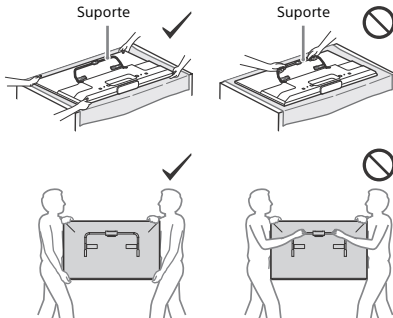
- Certifique-se de que cumpre as seguintes precauções de segurança para evitar ferimentos graves devido a incêndio, choque elétrico ou quedas do produto.
- Certifique-se de que a instalação é efetuada por contratantes licenciados e mantenha as crianças afastadas do local durante a instalação.

- Solicite o transporte e a desmontagem do televisor a contratantes licenciados.
- Não retire os parafusos, etc., após a montagem do televisor.
- Não efetue quaisquer alterações às peças do suporte de parede.
- Não instale outro equipamento que não o produto especificado.
- Não coloque outra carga que não o televisor no suporte de parede.
- Não se encoste nem se pendure no televisor.
- Não manuseie o televisor com força excessiva durante a limpeza ou a manutenção.

Para os agentes e contratantes da Sony:

As instruções seguintes destinam-se apenas aos agentes e contratantes da Sony. Leia as precauções de segurança abaixo apresentadas e preste especial atenção à segurança durante a instalação, manutenção e verificação deste produto.

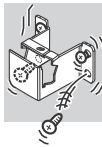
- Ao manusear ou montar o televisor, segure-o pelos lados. Não levante o televisor pelo suporte.



- Não instale o suporte de parede em paredes nas quais os cantos ou os lados do televisor fiquem salientes em relação à superfície da parede.



- Não instale o televisor por cima ou por baixo de um aparelho de ar condicionado.
- Certifique-se de que instala o suporte de parede com segurança, seguindo as instruções deste manual de instruções. Se algum dos parafusos estiver solto ou cair, o suporte de parede poderá cair e provocar ferimentos ou danos materiais.
- Certifique-se de que utiliza corretamente os parafusos e acessórios fornecidos, seguindo as instruções apresentadas neste manual de instruções. Se utilizar outros acessórios, o televisor poderá cair e provocar ferimentos pessoais ou danos no televisor.



- Monte o suporte corretamente, seguindo o procedimento explicado neste manual de instruções.
- Aperte firmemente os parafusos na posição indicada.
- Não submeta o televisor a impactos durante a instalação.
- Instale o televisor numa parede perpendicular e plana.
- Após a correta instalação do televisor, fixe corretamente os cabos.
- Não permita que o cabo de alimentação ou os cabos de ligação fiquem trilhados, uma vez que os condutores internos poderão ficar expostos e provocar curtos-circuitos ou cortes elétricos.



Precauções

Ver televisão

- Alguns utilizadores podem sentir algum desconforto (esforço visual, fadiga ou náuseas) aquando da visualização de imagens de vídeo 3D ou quando jogarem jogos estereoscópicos 3D. A Sony recomenda que todos os utilizadores façam pausas regulares quando visualizam imagens de vídeo 3D ou quando jogam jogos estereoscópicos 3D. A duração e a frequência das pausas necessárias irão variar de pessoa para pessoa. Deve decidir o que é melhor para si. Se sentir algum desconforto, deve parar de visualizar imagens de vídeo 3D ou de jogar jogos estereoscópicos 3D até deixar de sentir esse desconforto; consulte um médico se necessário. Deve também consultar (i) o manual de instruções de quaisquer outros dispositivos ou acessórios utilizados com este televisor e (ii) o nosso website (<http://support.sony-europe.com/>) para obter as informações mais recentes. A visão das crianças (especialmente crianças de idade inferior a seis anos) ainda se encontra em desenvolvimento. Consulte um médico (como, por exemplo, um pediatra ou um oftalmologista) antes de permitir que os seus filhos visualizem imagens de vídeo 3D ou joguem jogos estereoscópicos 3D. Os adultos devem vigiar as crianças para assegurar que estas seguem as recomendações indicadas acima.
- Não utilize, guarde ou deixe os Óculos 3D ou a pilha junto de chamas ou em locais com uma temperatura elevada, como, por exemplo, sob a luz solar direta ou num automóvel exposto ao sol.
- Quando utilizar a função 3D simulada, tenha em atenção que a imagem apresentada é diferente da original devido à conversão efetuada por este televisor.
- Veja televisão com uma luz ambiente adequada, pois uma luz fraca ou ver televisão durante um longo período de tempo prejudica a vista.
- Se utilizar auscultadores, não regule o volume para um nível demasiado alto, para evitar lesões auditivas.

PT

Ecrã LCD

- Embora o ecrã LCD seja fabricado com uma tecnologia de alta precisão e 99,99% ou mais dos pixels sejam efetivos, podem aparecer sistematicamente pontos pretos ou pontos brilhantes de luz (vermelha, azul ou verde). Não se trata de uma avaria, mas sim de uma característica da estrutura do LCD.
- Não carregue nem risque o filtro frontal, nem coloque objetos em cima do televisor. Pode danificar o ecrã LCD ou a imagem ficar irregular.
- Se utilizar o televisor num local frio, as imagens podem ficar escuras ou com manchas. Não se trata de uma avaria. Este fenómeno desaparece logo que subir a temperatura.
- Se visualizar imagens fixas continuamente, pode produzir-se uma imagem fantasma. Essa imagem desaparece pouco depois.
- Durante a utilização do televisor, o ecrã e a caixa aquecem. Isso não é sinónimo de avaria.
- O ecrã LCD contém uma pequena quantidade de cristais líquidos. Para se desfazer deles, cumpra as regulamentações e imposições locais.

Utilizar e limpar o ecrã/a caixa do televisor

Desligue o cabo de alimentação que liga o televisor à tomada de corrente elétrica antes de limpar.

Para evitar a degradação do material ou a degradação do revestimento do ecrã, respeite as seguintes precauções.

- Limpe o pó do ecrã/da caixa com cuidado com um pano de limpeza macio. Se não conseguir limpar bem o pó, humedeça ligeiramente um pano macio numa solução de detergente suave.
- Nunca pulverize água ou detergente diretamente sobre o televisor. Pode pingar para a base do ecrã ou para as peças exteriores e infiltrar-se no televisor, podendo causar danos no mesmo.



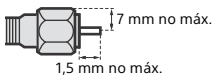
- Não utilize esfregões abrasivos, líquidos de limpeza alcalinos/ácidos, pós de limpeza ou solventes voláteis, como álcool, benzina, diluente ou inseticida. Se utilizar este tipo de materiais ou mantiver um contacto prolongado com materiais de borracha ou vinil danifica a superfície do ecrã e o material da caixa.
- É recomendado passar periodicamente o aspirador pelos orifícios de ventilação para assegurar uma ventilação adequada.
- Quando ajustar o ângulo do televisor, mova-o lentamente de forma a impedir que o televisor se desloque ou se separe da base.

Equipamento opcional

- Coloque os componentes opcionais ou qualquer equipamento que emita radiação eletromagnética longe do televisor. Caso contrário, pode aparecer distorção da imagem e/ou som com ruído.
- Este equipamento foi testado e verificou-se que cumpre os limites estabelecidos pela Diretiva EMC, utilizando um cabo de sinal de ligação com menos de 3 metros.

Recomendação da ficha do tipo F

A projecção do cabo interno a partir da parte de ligação deve ser inferior a 1,5 mm.



(Desenho de referência da ficha do tipo F)

Cuidados ao manusear o telecomando

- Respeite a polaridade correta quando colocar as pilhas.
- Não use tipos de pilhas diferentes, nem misture pilhas novas com pilhas usadas.
- Deite as pilhas fora respeitando as leis de proteção ambiental. Algumas regiões podem ter regulamentações acerca da eliminação de pilhas. Aconselhe-se junto das autoridades locais.
- Utilize o telecomando com cuidado. Não entorne líquidos sobre o telecomando nem o pise ou deixe cair.
- Não coloque o telecomando num local perto de uma fonte de calor, num local exposto à luz solar direta ou numa sala húmida.

Função Sem Fios da unidade

- Não utilize esta unidade na proximidade de equipamentos médicos (pacemakers, etc.), pois pode provocar um mau funcionamento desse equipamento.
- Embora esta unidade transmita/receba sinais codificados, esteja atento à possibilidade de interceção não autorizada. Não nos responsabilizamos por problemas resultantes desse facto.

SUPORTE DE PAREDE

- Se utilizar o televisor instalado no suporte de parede durante um longo período de tempo, a parede por trás ou por cima do televisor poderá perder a cor e o papel de parede poderá descolar, dependendo do material da parede.
- Se retirar o suporte para montagem na parede depois de o instalar na parede, os orifícios do parafuso mantêm-se.
- Não utilize o suporte de parede num local sujeito a vibrações mecânicas.

Eliminação do televisor



Tratamento de Equipamentos Elétricos e Eletrônicos no final da sua vida útil (Aplicável na União Europeia e em países Europeus com sistemas de recolha seletiva de resíduos)

Este símbolo, colocado no produto ou na sua embalagem, indica que este não deve ser tratado como resíduo urbano indiferenciado. Deve sim ser colocado num ponto de recolha destinado a resíduos de equipamentos elétricos e eletrônicos. Assegurando-se que este produto é corretamente depositado, irá prevenir potenciais consequências negativas para o ambiente bem como para a saúde, que de outra forma poderiam ocorrer pelo mau manuseamento destes produtos. A reciclagem dos materiais contribuirá para a conservação dos recursos naturais. Para obter informação mais detalhada sobre a reciclagem deste produto, por favor contacte o município onde reside, os serviços de recolha de resíduos da sua área ou a loja onde adquiriu o produto.



Tratamento de pilhas no final da sua vida útil (Aplicável na União Europeia e em países Europeus com sistemas de recolha seletiva de resíduos)

Este símbolo, colocado na pilha ou na sua embalagem, indica que estes produtos não devem ser tratados como resíduos urbanos indiferenciados. Em determinadas pilhas este símbolo pode ser usado em combinação com um símbolo químico. Os símbolos químicos para o mercúrio (Hg) ou chumbo (Pb) são adicionados se a pilha contiver mais de 0,0005% em mercúrio ou 0,004% em chumbo. Devem antes ser colocados num ponto de recolha destinado a resíduos de pilhas e acumuladores. Assegurando-se que estas pilhas são corretamente depositadas, irá prevenir potenciais consequências negativas para o ambiente bem como para a saúde, que de outra forma poderiam ocorrer pelo mau manuseamento destas pilhas. A reciclagem dos materiais contribuirá para a conservação dos recursos naturais. Se por motivos de segurança, desempenho ou proteção de dados, os produtos necessitarem de uma ligação permanente a uma pilha integrada, esta só deve ser substituída por profissionais qualificados. Acabado o período de vida útil do aparelho, coloque-o no ponto de recolha de produtos elétricos/eletrônicos de forma a garantir o tratamento adequado da bateria integrada. Para as restantes pilhas, por favor, consulte as instruções do equipamento sobre a remoção da mesma. Deposite a bateria num ponto de recolha destinado a resíduos de pilhas e baterias. Para informações mais detalhadas sobre a reciclagem deste produto, por favor contacte o município onde reside, os serviços de recolha de resíduos da sua área ou a loja onde adquiriu o produto.

Instalação do televisor na parede

Para os clientes

É necessário possuir uma formação técnica adequada para instalar este produto. Solicite a instalação a agentes da Sony ou a empresas contratadas autorizadas e preste especial atenção à segurança durante a instalação. A Sony não se responsabiliza por quaisquer danos ou ferimentos provocados pela utilização indevida ou instalação incorreta, nem pela instalação de um produto diferente dos produtos especificados. Os seus direitos estatutários (caso existam) não são afetados.

Para os agentes e empresas contratadas da Sony

É necessário possuir uma formação técnica adequada para instalar este produto. Leia atentamente este manual de instruções para efetuar a instalação com segurança. A Sony não se responsabiliza por quaisquer danos ou ferimentos provocados pela utilização indevida ou instalação incorreta.

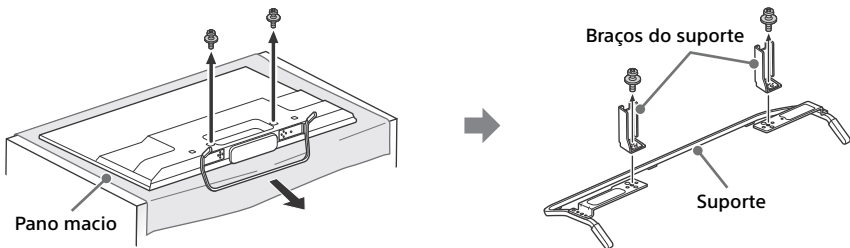
PT

O suporte de fixação para mesas do seu televisor será utilizado como parte do suporte de parede.

Nota

- Consulte a página 3 (Informações de segurança) e a página 5 (Precauções) em SUPORTE DE PAREDE antes de efetuar a instalação do suporte de parede.
- Se o suporte de fixação para mesas estiver fixado no televisor, retire previamente o suporte de fixação para mesas.
- Coloque o televisor com o ecrã virado para baixo numa superfície nivelada e estável, com um pano espesso e suave maior do que o televisor, quando fixar o suporte ou quando retirar o suporte de fixação para mesas do televisor para evitar danos na superfície do ecrã LCD.
- Depois de retirar os braços do suporte, guarde os braços do suporte e os parafusos num local seguro.
- Quando voltar a colocar o suporte de fixação para mesas, certifique-se de que aperta os parafusos (anteriormente retirados) nos orifícios originais na parte traseira do televisor.
- Certifique-se de que o televisor se encontra na posição vertical antes de o ligar. O televisor não deve ser ligado com o ecrã LCD virado para baixo para evitar uma imagem irregular.

Retirar o suporte de fixação para mesas do televisor

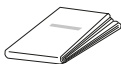


Instalação dos suportes na parede

1 Prepare os itens necessários.

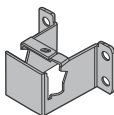
Acessórios do suporte de parede (fornecidos)

A Modelo de papel



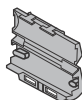
B Base de montagem na parede

KDL-50W82xB,
KDL-50W81xB,
KDL-50W80xB,
KDL-50W70xB (2)
KDL-42W82xB,
KDL-42W81xB,
KDL-42W80xB,
KDL-42/32W70xB (1)



C Protetor do suporte

KDL-50W82xB,
KDL-50W81xB,
KDL-50W80xB,
KDL-50W70xB (2)
KDL-42W82xB,
KDL-42W81xB,
KDL-42W80xB,
KDL-42/32W70xB (1)



D Parafuso
(+PSW 6 x 12) (2)



E Espaçador (2)



F Tampa do suporte

KDL-50W82xB,
KDL-50W81xB,
KDL-50W80xB,
KDL-50W70xB (2)
KDL-42W82xB,
KDL-42W81xB,
KDL-42W80xB,
KDL-42/32W70xB (1)



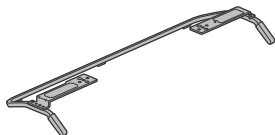
G Parafuso (+PSW 4 x 10)

KDL-50W82xB,
KDL-50W81xB,
KDL-50W80xB,
KDL-50W70xB (2)
KDL-42W82xB,
KDL-42W81xB,
KDL-42W80xB,
KDL-42/32W70xB (1)



Suporte (fornecido)

H

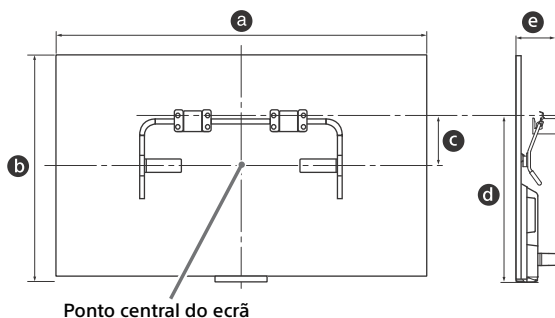


Parafusos da base de montagem na parede (8 mm de diâmetro, não fornecidos)

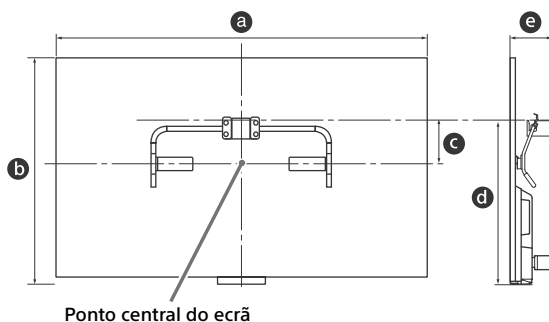
KDL-50W82xB,
KDL-50W81xB,
KDL-50W80xB,
KDL-50W70xB (8)
KDL-42W82xB,
KDL-42W81xB,
KDL-42W80xB,
KDL-42/32W70xB (4)

- 2 Certifique-se de que a parede tem espaço suficiente e capacidade para suportar um peso quatro vezes superior ao peso do televisor.
 Consulte a tabela seguinte para obter informações sobre a instalação do televisor na parede. Consulte a página 15-18 (Características técnicas) para obter informações sobre o peso do televisor.

KDL-50W82xB, KDL-50W81xB, KDL-50W80xB, KDL-50W70xB



KDL-42W82xB, KDL-42W81xB, KDL-42W80xB, KDL-42/32W70xB



Aparelho: cm

Nome do modelo KDL-	Dimensões do visor		Dimensão do centro do ecrã	Comprimento de montagem	
	a	b	c	d	e
50W82xB/ 50W81xB/ 50W80xB/ 50W70xB	111,6	65,6	13,0	46,9	11,8
42W82xB/ 42W81xB/ 42W80xB/ 42W70xB	95,8	56,3	17,5	46,5	11,8
32W70xB	72,9	43,3	18,8	41,3	11,3

Nota

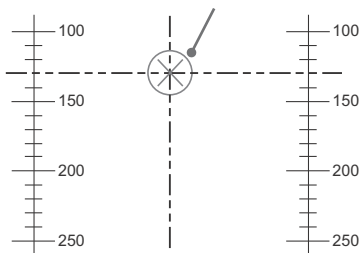
- Os números na tabela podem variar ligeiramente consoante a instalação.

3 Coloque uma marca no modelo de papel **(A)** que indica o centro do ecrã do televisor.

**KDL-50W82xB, KDL-50W81xB,
KDL-50W80xB, KDL-50W70xB**

Escala no modelo de papel **(A)**

Marca para KDL-50W82xB, KDL-50W81xB,
KDL-50W80xB, KDL-50W70xB

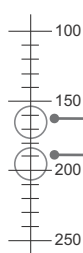


**KDL-42W82xB, KDL-42W81xB,
KDL-42W80xB, KDL-42/32W70xB**

Escala no modelo de papel **(A)**

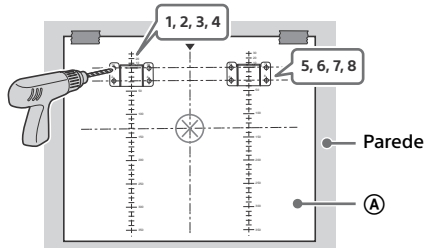
Marca para KDL-42W82xB,
KDL-42W81xB, KDL-42W80xB,
KDL-42W70xB

Marca para KDL-32W70xB

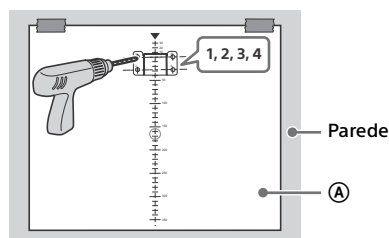


4 Cole o modelo de papel **(A)** na parede e efetue os orifícios de acordo com a numeração do modelo de papel **(A)** utilizando um berbequim elétrico.

**KDL-50W82xB, KDL-50W81xB,
KDL-50W80xB, KDL-50W70xB**



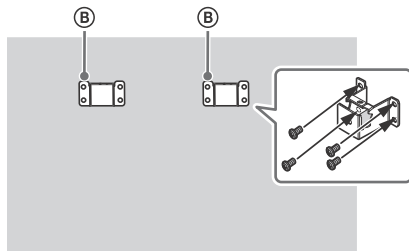
**KDL-42W82xB, KDL-42W81xB,
KDL-42W80xB, KDL-42/32W70xB**



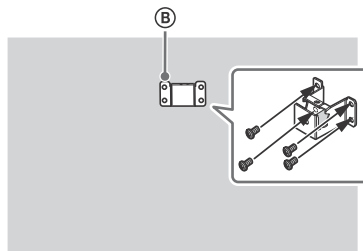
5 Retire o modelo de papel **(A)** da parede.

6 Fixe a base de montagem na parede **(B)** corretamente na parede utilizando os parafusos (8 mm de diâmetro, não fornecidos).

**KDL-50W82xB, KDL-50W81xB,
KDL-50W80xB, KDL-50W70xB**

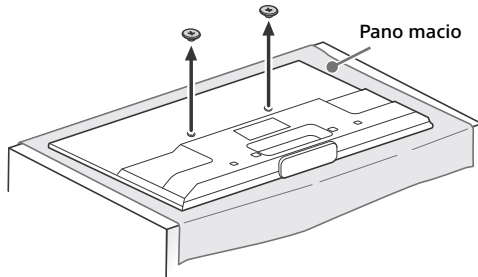


**KDL-42W82xB, KDL-42W81xB,
KDL-42W80xB, KDL-42/32W70xB**



Preparação da instalação do televisor

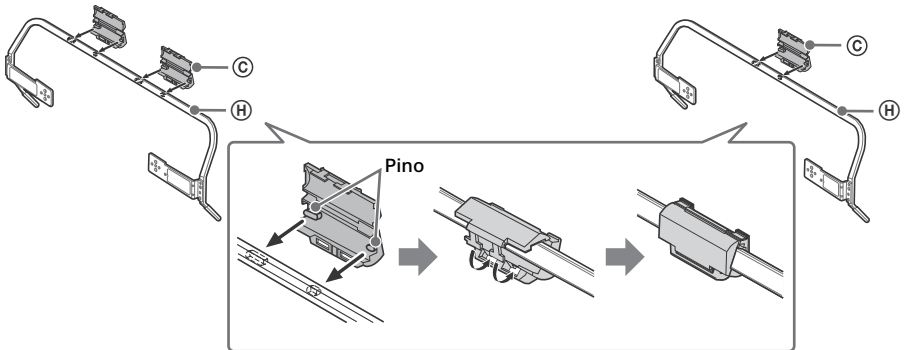
- 1 Retire os parafusos da parte traseira do televisor. Certifique-se de que guarda os parafusos retirados num local seguro, mantendo-os afastados de crianças.



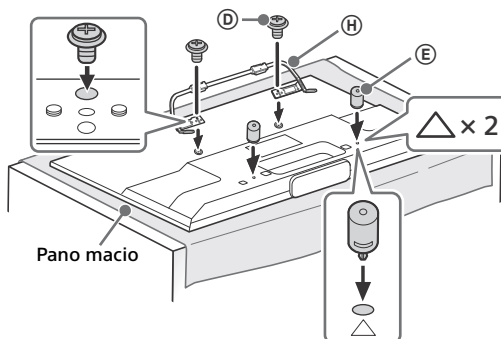
- 2 Introduza o pino (no protetor do suporte ©) no orifício do suporte ④ e, em seguida, dobre o protetor do suporte ©. Confirme se o protetor do suporte © está firmemente fixo no suporte ④.

KDL-50W82xB, KDL-50W81xB,
KDL-50W80xB, KDL-50W70xB

KDL-42W82xB, KDL-42W81xB,
KDL-42W80xB, KDL-42/32W70xB

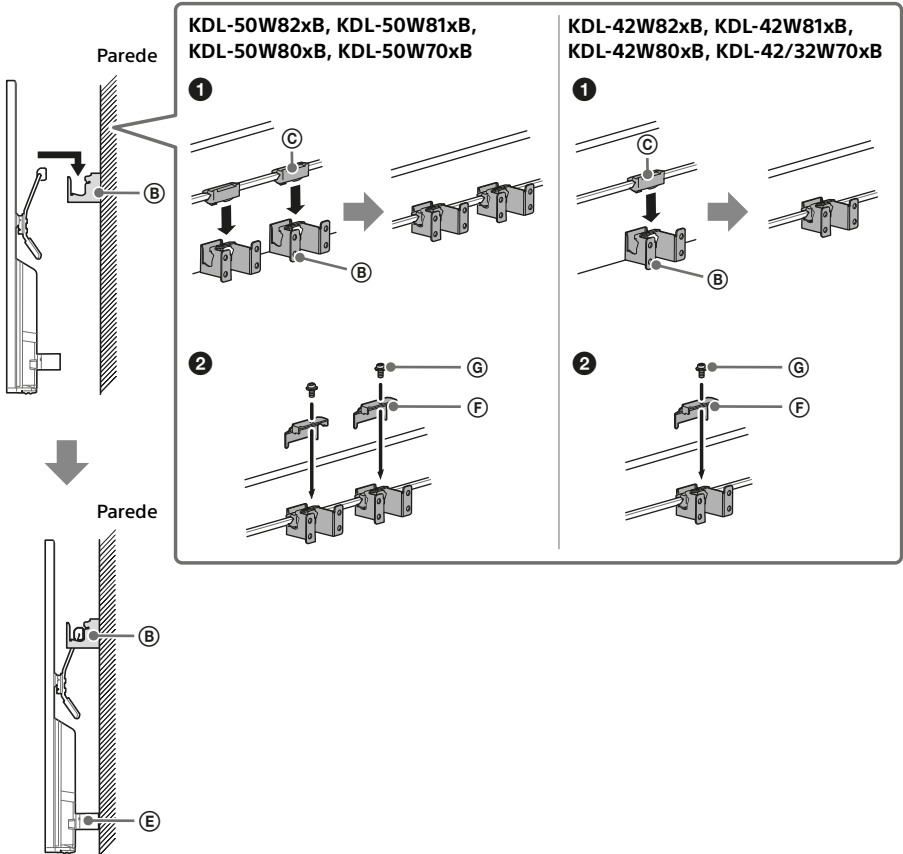


- 3 Fixe o suporte ④ no televisor utilizando os parafusos ⑤ fornecidos. Fixe os espaçadores ⑥ nos orifícios indicados pelas marcas de triângulo Δ. KDL-50W82xB, KDL-50W81xB, KDL-50W80xB, KDL-50W70xB é utilizado para fins de ilustração.



Instalação do televisor na parede

- 1 Certifique-se de que liga e une os cabos antes de instalar o televisor na parede.
- 2 Instale o televisor na parede. Em seguida, confirme se o protetor do suporte © está firmemente fixo na base de montagem na parede © e os espaçadores © tocam na parede. Fixe a tampa do suporte © utilizando os parafusos © fornecidos.



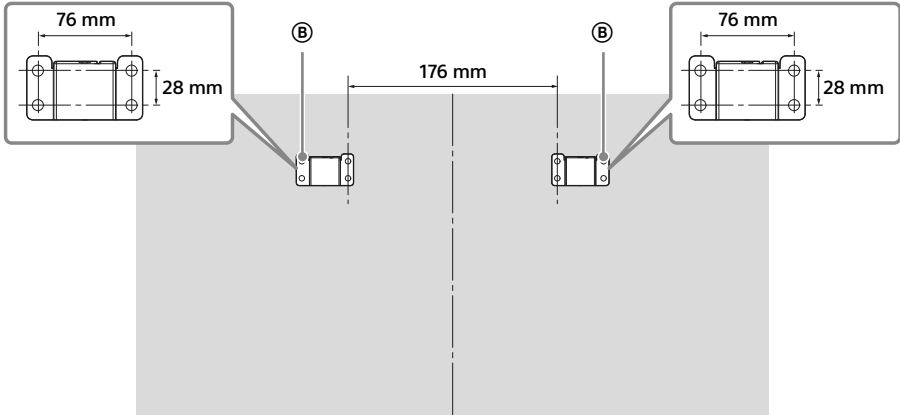
Dimensões das posições dos orifícios na parede

Transmita as informações abaixo apresentadas às empresas contratadas autorizadas, conforme necessário.

Utilize parafusos (8 mm de diâmetro, não fornecidos) para instalar a base de montagem na parede ② na parede.

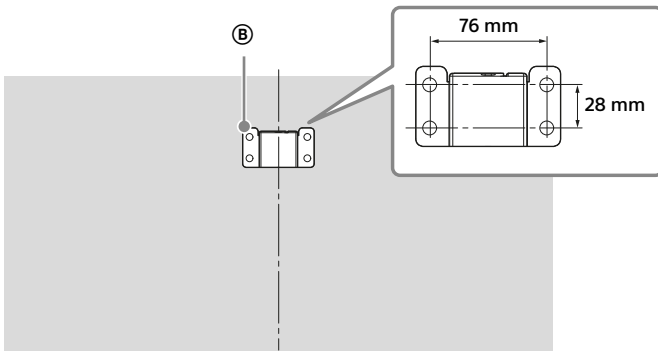
Certifique-se de que utiliza o modelo de papel ① fornecido que apresenta a posição real da base de montagem na parede para fácil instalação.

KDL-50W82xB, KDL-50W81xB, KDL-50W80xB, KDL-50W70xB



PT

KDL-42W82xB, KDL-42W81xB, KDL-42W80xB, KDL-42/32W70xB



Para obter instruções sobre a instalação do suporte de parede do seu modelo de televisor, consulte o website seguinte:

www.sony.eu/tv/wall-mount-bracket-manual

Resolução de problemas

Quando o LED de iluminação estiver a piscar a vermelho, anote o número de vezes que pisca (o tempo de intervalo é de três segundos).

Se o Iluminação LED piscar a vermelho, reinicie o televisor desligando o cabo de alimentação do televisor durante dois minutos e, em seguida, ligue o televisor.

Se o problema persistir, contacte o seu agente ou centro de assistência Sony e indique o número de vezes que o Iluminação LED pisca a vermelho (o tempo de intervalo é de três segundos). Carregue em I/⏻ no televisor para o desligar, desligue o cabo de alimentação e informe o seu agente ou centro de assistência Sony.

Quando o LED de iluminação não estiver a piscar, verifique os itens constantes das tabelas seguintes.

Pode também consultar [Resolução de problemas] no i-Manual ou realizar um Autodiagnóstico selecionando ? [Ajuda] → [Apoio ao cliente] → [Autodiagnóstico]. Se o problema persistir, solicite a reparação do televisor a um técnico de assistência qualificado.

Problemas e soluções

Não aparece imagem (o ecrã está escuro) e não há som.

- Verifique a ligação da antena/cabo.
- Ligue o televisor à corrente CA e carregue em I/⏻ no televisor ou no telecomando.

Não é possível sintonizar alguns programas.

- Verifique a antena ou prato.
- O cabo de satélite poderá entrar em curto-circuito ou poderá haver problemas de ligação no cabo. Verifique a ligação do cabo e, em seguida, desligue o televisor com o interruptor de ligar/desligar alimentação e volte a ligar.
- A frequência que introduziu está fora do intervalo. Consulte a empresa de transmissão de satélite recebida.

Não foram encontrados serviços (programas) de televisão por cabo.

- Verifique a ligação do cabo ou a configuração de sintonização.
- Tente a [Sintonização Automática Digital] selecionando [Antena] em vez de [Cabo].

O telecomando não funciona.

- Substitua as pilhas.
- O seu televisor poderá estar no modo SYNC. Carregue em SYNC MENU, [selecione] [Controlo de TV] e, em seguida, selecione [Home (Menu)] ou [Opções] para controlar o televisor.

Esqueceu a palavra-passe de [Bloqueio Parental].

- Introduza o código PIN 9999. (O código PIN 9999 é sempre aceite.)

A área na proximidade do televisor aquece.

- Quando o televisor é utilizado durante um período de tempo prolongado, a área na proximidade do televisor aquece. Poderá sentir a superfície quente ao tocar com a mão.

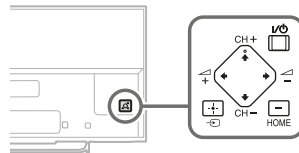
Áudio ou vídeo bloqueados, um ecrã em branco ou o televisor não responde aos botões do televisor ou do telecomando.

- Efetue um reinício simples do televisor, desligando o cabo de alimentação CA durante dois minutos e, em seguida, ligue-o novamente.

Os botões I/⏻, CH+/-, ▲+/-, ⬆️/⬆️/⬆️, [⏪] e HOME não se encontram no televisor.

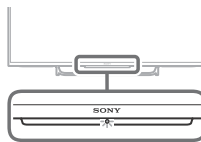
- Consulte a ilustração abaixo para saber a localização dos botões no televisor.

Parte traseira do televisor



A iluminação LED está acesa.


- Se não pretende acender a iluminação LED, pode apagá-la. Carregue em HOME e, em seguida, selecione [Parâmetros] → [Parâmetros do Sistema] → [Configuração Geral] → [Iluminação LED] → [Desativar]. Pode também carregar em OPTIONS e, em seguida, selecionar [Iluminação LED] → [Desativar].



Não é possível ligar a um router sem fios através de WPS.

- Se utilizar segurança WEP, selecione [Fácil] → [Wi-Fi] → [Ligar através da lista de pesquisa]. Em seguida, selecione o nome da rede (SSID) à qual pretende ligar-se.

Não é possível encontrar o nome da rede necessária na configuração da rede.

- Selecione [[Introdução manual]] e carregue em  para introduzir o nome da rede.

Características técnicas

Sistema

Sistema do ecrã

Ecrã LCD (Visor de Cristal Líquido),
Retroluminação LED

Sistema de televisão

Analógico: Dependendo da seleção do seu país/
área: B/G, D/K, L, I, M
Digital: DVB-T/DVB-C
DVB-T2
Satélite: DVB-S/DVB-S2

Sistema de Cor/Vídeo

Analógico: PAL, SECAM, NTSC3.58, NTSC4.43
Digital: Consulte o i-Manual.

Cobertura de canais

Analógico: UHF/VHF/Cabo, Dependendo da
seleção do seu país/área.
Digital: UHF/VHF/Cabo, Dependendo da seleção
do seu país/área.
Satélite: Frequência IF 950-2150 MHz

Saída de som

8 W + 8 W (exceto para KDL-32W70xB)
5 W + 5 W (apenas KDL-32W70xB)

Tecnologia sem fios

Protocolo IEEE802.11a/b/g/n


Tomadas de Entrada/Saída

Cabo da antena

Terminal externo de 75 ohm para VHF/UHF

Antena do satélite

Conector de tipo F fêmea IEC169-24, 75 ohm.
DISEqC 1.0, LNB 13 V/18 V & tom 22 kHz,
Distribuição por um Cabo EN50494.

 AV1

Euroconector de 21 pinos (norma CENELEC)
incluindo entrada de áudio/vídeo, entrada RGB e
saída áudio/vídeo de TV.

 COMPONENT IN

YPbPr (Vídeo componente): 1080p (50, 60 Hz),
1080i (50, 60 Hz), 720p (50, 60 Hz), 576p, 576i,
480p, 480i
Entrada de áudio (tomadas RCA)

 AV2

Entrada de vídeo (tomada de pinos RCA normal
com entrada Y)

HDMI IN 1, 2, 3, 4 (exceto para

KDL-50/42/32W70xB)

Vídeo (2D): 1080p (30, 50, 60 Hz), 1080/24p, 1080i (50, 60 Hz), 720p (30, 50, 60 Hz), 720/24p, 576p, 576i, 480p, 480i, Formatos PC

Vídeo (3D):

Frame Packing: 1080p (30 Hz), 1080/24p, 1080i (50, 60 Hz), 720p (30, 50, 60 Hz), 720/24p

Lado-a-lado: 1080p (50, 60 Hz), 1080/24p, 1080i (50, 60 Hz), 720p (50, 60 Hz)

Uma sobre a outra: 1080p (30, 50, 60 Hz), 1080/24p, 1080i (50, 60 Hz), 720p (50, 60 Hz)

Áudio: PCM linear do canal 5.1: 32, 44,1 e 48 kHz, 16, 20 e 24 bits, Dolby Digital

ARC (Audio Return Channel) (apenas HDMI IN 2)

HDMI IN 1, 2, 3, 4 (apenas KDL-50/42/32W70xB)

Vídeo: 1080p (30, 50, 60 Hz), 1080/24p, 1080i (50, 60 Hz), 720p (30, 50, 60 Hz),

720/24p, 576p, 576i, 480p, 480i, Formatos PC

Áudio: PCM linear do canal 5.1: 32, 44,1 e 48 kHz, 16, 20 e 24 bits, Dolby Digital

ARC (Audio Return Channel) (apenas HDMI IN 2)

MHL (normal com HDMI IN 1)

(exceto para KDL-50/42/32W70xB)

Vídeo (2D): 1080p (30 Hz), 1080/24p, 1080i (50, 60 Hz), 720p (30, 50, 60 Hz), 720/24p, 576p, 576i, 480p, 480i

Vídeo (3D):

Lado-a-lado: 1080/24p, 1080i (50, 60 Hz), 720p (50, 60 Hz)

Uma sobre a outra: 1080p (30 Hz), 1080/24p, 1080i (50, 60 Hz), 720p (50, 60 Hz)


Áudio: PCM linear do canal 5.1: 32, 44,1 e 48 kHz, 16, 20 e 24 bits, Dolby Digital

MHL (normal com HDMI IN 1)

(apenas KDL-50/42/32W70xB)

Vídeo: 1080p (30 Hz), 1080/24p, 1080i (50, 60 Hz), 720p (30, 50, 60 Hz), 720/24p, 576p, 576i, 480p, 480i

Áudio: PCM linear do canal 5.1: 32, 44,1 e 48 kHz, 16, 20 e 24 bits, Dolby Digital

 DIGITAL AUDIO OUT (OPTICAL)

Tomada digital ótica (PCM linear de dois canais, Dolby Digital)

 AUDIO OUT

Saída de áudio (minitomada estéreo)

Tomada para auscultadores

(saída de subwoofer de suporte)

 1 (HDD REC),  2

Porta para dispositivo HDD USB (apenas  1),

Porta USB



Ranhuira CAM (Módulo de Acesso Condicional)

 DC IN 19.5 V

Entrada do transformador

 LAN

Conector 10BASE-T/100BASE-TX (Dependendo do ambiente de operação da rede, a velocidade de ligação pode variar. A taxa de comunicação e qualidade de comunicação do modelo 10BASE-T/100BASE-TX não são garantidas no caso deste televisor.)

Outros

Acessórios opcionais

Telecomando Touchpad: RMF-ED004

Unidade de câmara e microfone: CMU-BR200/CMU-BR100

Subwoofer sem fios: SWF-BR100

MHL cable: DLC-MB10/DLC-MB20/DLC-MC10/DLC-MC20

Óculos 3D ativos: TDG-BT500A (apenas KDL-50W82xB, KDL-50W81xB, KDL-50W80xB)



Óculos 3D passivos: TDG-500P (apenas KDL-42W82xB, KDL-42W81xB, KDL-42W80xB)



Temperatura de funcionamento

0 °C - 40 °C

Humidade de funcionamento

10% - 80% HR (não condensada)

Alimentação e outros

Requisitos de alimentação

19,5 V DC com transformador de CA

Capacidade nominal: Entrada 220 V - 240 V AC, 50 Hz

Classe de eficiência energética

KDL-50W82xB, KDL-50W81xB, KDL-50W80xB,

KDL-50W70xB: A++

KDL-42W82xB, KDL-42W81xB, KDL-42W80xB,

KDL-42W70xB: A+

KDL-32W70xB: A

Dimensões do ecrã (medido diagonalmente) (Aprox.)

KDL-50W82xB, KDL-50W81xB, KDL-50W80xB,

KDL-50W70xB: 50 polegadas / 125,7 cm

KDL-42W82xB, KDL-42W81xB, KDL-42W80xB,

KDL-42W70xB: 42 polegadas / 106,7 cm

KDL-32W70xB: 32 polegadas / 80,1 cm

Consumo de energia

no modo [Standard]

KDL-50W82xB, KDL-50W81xB, KDL-50W80xB,
KDL-50W70xB: 51 W
KDL-42W82xB, KDL-42W81xB, KDL-42W80xB,
KDL-42W70xB: 50 W
KDL-32W70xB: 39 W

no modo [Vívido]

KDL-50W82xB, KDL-50W81xB, KDL-50W80xB,
KDL-50W70xB: 100 W
KDL-42W82xB, KDL-42W81xB, KDL-42W80xB,
KDL-42W70xB: 99 W
KDL-32W70xB: 80 W

Consumo de energia anual médio*1

KDL-50W82xB, KDL-50W81xB, KDL-50W80xB,
KDL-50W70xB: 71 kWh
KDL-42W82xB, KDL-42W81xB, KDL-42W80xB,
KDL-42W70xB: 69 kWh
KDL-32W70xB: 54 kWh

Consumo de energia no modo de espera*2

0,5 W (10 W no modo de actualização do EPG/
software)

Resolução do ecrã

1.920 pontos (horizontal) × 1.080 linhas (vertical)

Dimensões (Aprox.) (larg. × alt. × prof.)

com suporte de fixação para mesas

KDL-50W82xB, KDL-50W81xB, KDL-50W80xB,
KDL-50W70xB: 111,6 × 69,3 × 17,9 cm
KDL-42W82xB, KDL-42W81xB, KDL-42W80xB,
KDL-42W70xB: 95,8 × 60,0 × 17,0 cm
KDL-32W70xB: 72,9 × 46,5 × 14,1 cm

sem suporte de fixação para mesas

KDL-50W82xB, KDL-50W81xB, KDL-50W80xB,
KDL-50W70xB: 111,6 × 65,6 × 6,4 cm
KDL-42W82xB, KDL-42W81xB, KDL-42W80xB,
KDL-42W70xB: 95,8 × 56,3 × 6,4 cm
KDL-32W70xB: 72,9 × 43,3 × 6,4 cm

Peso (Aprox.)

com suporte de fixação para mesas

KDL-50W82xB, KDL-50W81xB, KDL-50W80xB,
KDL-50W70xB: 14,8 kg
KDL-42W82xB, KDL-42W81xB, KDL-42W80xB,
KDL-42W70xB: 11,7 kg
KDL-32W70xB: 7,9 kg

sem suporte de fixação para mesas

KDL-50W82xB, KDL-50W81xB, KDL-50W80xB,
KDL-50W70xB: 13,6 kg
KDL-42W82xB, KDL-42W81xB, KDL-42W80xB,
KDL-42W70xB: 10,5 kg
KDL-32W70xB: 6,9 kg

*1 Consumo de energia por ano, com base no consumo de energia verificado com o televisor a funcionar 4 horas por dia durante 365 dias. O consumo de energia real irá depender da forma como o televisor é utilizado.

*2 A energia em modo de espera (standby) especificada é atingida depois de o televisor concluir os processos internos necessários.

Nota

- O “x” que aparece no nome do modelo corresponde a um dígito numérico relacionado com o design, a cor ou o sistema de televisão.
- Não retire o cartão fictício da ranhura CAM (Módulo de Acesso Condicional) do televisor, exceto quando for para introduzir um smart card instalado no CAM.
- A disponibilidade dos acessórios opcionais depende dos países/região/modelo de televisor/stock.
- O design e as características técnicas estão sujeitos a alteração sem aviso prévio.
- Este televisor inclui MHL 2.

Aviso para a função de televisão digital

- Todas as funções relativas à televisão digital (DVB) estarão disponíveis apenas para os países ou áreas em que são transmitidos sinais terrestres digitais DVB-T/DVB-T2 (MPEG-2 e H.264/MPEG-4 AVC) ou onde existe acesso a um serviço de cabo compatível com DVB-C (MPEG-2 e H.264/MPEG-4 AVC). Por favor, confirme com o seu agente local se pode receber um sinal DVB-T/DVB-T2 no seu local de residência ou pergunte ao seu fornecedor de cabo se o seu serviço de cabo DVB-C é adequado para operação integrada com este televisor.
- O fornecedor de cabo pode cobrar um preço adicional pelos seus serviços e pode solicitar que concorde com os seus termos e condições de negócio.
- Este televisor cumpre com as especificações DVB-T/DVB-T2 e DVB-C, mas a compatibilidade com futuras transmissões terrestres digitais DVB-T/DVB-T2 e por cabo digitais DVB-C não é garantida.
- Algumas funções de televisão digital podem não estar disponíveis em alguns países/áreas e o cabo DVB-C pode não funcionar corretamente com alguns fornecedores.

Informação da marca registrada

- Os termos HDMI e HDMI High-Definition Multimedia Interface e o logótipo HDMI são marcas comerciais ou marcas comerciais registradas da HDMI Licensing LLC nos EUA e noutros países.
- DLNA®, o logótipo DLNA e DLNA CERTIFIED® são marcas comerciais, marcas de serviço ou marcas de certificação da Digital Living Network Alliance.
- Fabricado sob licença da Dolby Laboratories. Dolby e o símbolo duplo D são marcas registradas da Dolby Laboratories.
- “BRAVIA” e BRAVIA são marcas comerciais da Sony Corporation.
- TrackID é uma marca comercial ou marca comercial registrada da Sony Mobile Communications AB.
- Gracenote, Gracenote eyeQ, Gracenote VideoID, Gracenote Video Explore, Gracenote MusicID, o logótipo Gracenote e o logótipo “Powered by Gracenote” são marcas comerciais registradas ou marcas comerciais da Gracenote nos Estados Unidos e/ou noutros países.
- Opera® Devices SDK from Opera Software ASA. Copyright 1995-2014 Opera Software ASA. All rights reserved.
- Wi-Fi, Wi-Fi Direct e Miracast são marcas comerciais ou marcas comerciais registradas da Wi-Fi Alliance.
- O logótipo “Sony Entertainment Network” e “Sony Entertainment Network” são marcas comerciais da Sony Corporation.
- MHL, Mobile High-Definition Link e o logótipo MHL são marcas comerciais ou marcas comerciais registradas da MHL Licensing, LLC.
- Para obter informações sobre patentes DTS, consulte <http://patents.dts.com>. Fabricado sob licença da DTS Licensing Limited. DTS, o símbolo, & DTS e o símbolo em conjunto são marcas comerciais registradas e Digital Surround é uma marca comercial da DTS, Inc. © DTS, Inc. Todos os direitos reservados.
- Designed with UEI Technology™ Under License from Universal Electronics Inc. Portions © UEI 2000 – 2013
- O símbolo da palavra e os logótipos Bluetooth® são propriedade da Bluetooth SIG, Inc. e qualquer utilização desses símbolos por parte da Sony Corporation está sob licença. Outras marcas comerciais e nomes comerciais são propriedade dos respetivos proprietários.
- DiSEqC™ é uma marca comercial da EUTELSAT. Este televisor suporta DiSEqC 1.0. Este televisor não se destina ao controlo de antenas motorizadas.

Sommario

NOTA IMPORTANTE.....	3
Informazioni di sicurezza.....	3
Precauzioni.....	6
Installazione del televisore a parete.....	8
Installazione delle staffe sulla parete.....	9
Preparazione per l'installazione del televisore.....	12
Installazione del televisore a parete.....	13
Risoluzione dei problemi.....	15
Problemi e soluzioni.....	15
Caratteristiche tecniche.....	16

Introduzione

Grazie per avere scelto questo prodotto Sony. Prima di mettere in funzione il televisore, si prega di leggere attentamente il presente manuale e di conservarlo per farvi riferimento in futuro.

Nota

- Prima di utilizzare il televisore, leggere le "Informazioni di sicurezza" (pagina 3).
- Le istruzioni per l'"Installazione del televisore a parete" sono presenti all'interno di questo manuale di istruzioni del televisore.
- Le immagini e le illustrazioni utilizzate nella Guida introduttiva e nel presente manuale servono esclusivamente come riferimento e potrebbero differire dal prodotto effettivo.

Ubicazione della targhetta di identificazione

Le etichette indicanti il numero di modello del televisore, la data di produzione (mese/anno) e la tensione di alimentazione sono ubicate sul retro del televisore o della confezione.

Le etichette relative all'adattatore di rete, al numero del modello e al numero di serie si trovano sul lato inferiore dell'adattatore di rete.

AVVERTIMENTO



**PER EVITARE IL
RISCHIO DI INCENDI,
TENERE QUESTO PRODOTTO
SEMPRE LONTANO DA
CANDELE O ALTRE FIAMME
LIBERE.**

Le seguenti frasi integrano il manuale di istruzioni e, in caso di discordanza, prevalgono sul manuale di istruzioni.

Indicazioni specifiche e avvertenze per l'utilizzo di occhiali 3D in ambito domestico, richieste dal Ministero della Salute Italiano.

- L'utilizzo degli occhiali 3D è controindicato per i bambini al di sotto dei 6 anni di età.
- L'utilizzo continuativo degli occhiali 3D deve in ogni caso essere limitato a un tempo massimo orientativamente pari a quello della durata di uno spettacolo cinematografico.
- L'utilizzo degli occhiali 3D deve essere limitato esclusivamente alla visione di contenuti in 3D.
- Gli occhiali 3D devono essere utilizzati contestualmente agli strumenti correttivi della visione (ad es., occhiali da vista/lenti a contatto), qualora abitualmente utilizzati dall'utente.
- E' opportuno interrompere immediatamente la visione in 3D in caso di comparsa di disturbi agli occhi o di malessere generale e, nell'eventualità di persistenza degli stessi, consultare un medico.
- Gli occhiali 3D devono essere tenuti fuori dalla portata dei bambini qualora vi sia la presenza di piccole parti mobili ingeribili.
- La pulizia degli occhiali 3D deve essere fatta utilizzando un panno leggermente inumidito con una soluzione di sapone delicato e acqua tiepida, non usare prodotti a base alcolica.
- L'uso di sostanze disinfettanti può danneggiare il prodotto o comprometterne la funzionalità; è pertanto controindicato l'uso promiscuo degli occhiali 3D in caso di infezioni oculari o altre affezioni trasmissibili per contatto (a titolo meramente esemplificativo: congiuntivite, infestazioni del capo ecc...) fino alla completa scomparsa dell'infezione stessa.

DICHIARAZIONE DI CONFORMITA' IN BASE ALL'ARTICOLO 2 PARAGRAFO B DEL D.M. 26.03.1992

Si dichiara che questi modelli sono stati assemblati nella Comunità Economica Europea nel rispetto delle disposizioni di cui al D.M. 26.03.92 ed in particolare sono conformi alle prescrizioni dell'articolo 1 dello stesso D.M.

NOTA IMPORTANTE

Questo prodotto è stato fabbricato da o per conto di Sony Corporation, 1-7-1 Konan Minato-ku Tokyo, 108-0075 Giappone. Eventuali richieste in merito alla conformità del prodotto in ambito della legislazione Europea, dovranno essere indirizzate al rappresentante autorizzato, Sony Deutschland GmbH, Hedelfinger Strasse 61, 70327 Stuttgart, Germania. Per qualsiasi informazione relativa al servizio o la garanzia, si prega di fare riferimento agli indirizzi riportati separatamente sui documenti relativi all'assistenza o sui certificati di garanzia.

Avviso per il segnale wireless



Con la presente Sony Corporation dichiara che questa unità è conforme ai requisiti essenziali ed alle altre disposizioni pertinenti stabilite dalla direttiva 1999/5/CE. Per ulteriori dettagli, si prega di consultare il seguente URL: <http://www.compliance.sony.de/>

Avviso per i clienti: le seguenti informazioni si riferiscono esclusivamente ad apparecchi venduti in paesi che applicano le direttive UE.

Il sistema wireless del televisore può essere utilizzato nei seguenti paesi:

AT, BE, HR, CY, CZ, DK, EE, FI, FR, DE, GR, HU, IE, IT, LV, LT, LU, MT, NL, PL, PT, SK, SI, ES, SE, GB, IS, LI, NO, CH, BG, RO, TR, AL, BA, MK, MD, RS, ME

Questo dispositivo può essere utilizzato in altri paesi non europei.

Informazioni di sicurezza

ATTENZIONE

Le batterie non devono essere esposte a fonti di calore eccessivo, quali luce solare, fuoco o simili.

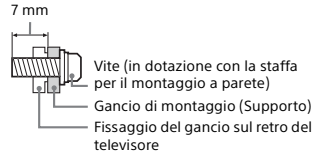
Installazione/Impostazione

Installare e utilizzare il televisore attenendosi alle istruzioni di seguito al fine di evitare il rischio di incendi, scosse elettriche o danni e/o lesioni.

Installazione

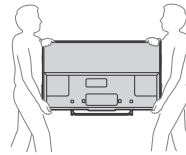
- Il televisore deve essere installato in prossimità di una presa di rete facilmente accessibile.
- Posizionare il televisore su una superficie stabile e piana per evitare che possa cadere e causare lesioni personali o danni al televisore stesso.
- Per l'installazione a parete rivolgersi esclusivamente a personale qualificato.
- Per motivi di sicurezza, si consiglia caldamente di utilizzare esclusivamente accessori Sony, compresi:
 - Staffa di montaggio a parete

- Accertarsi di utilizzare le viti in dotazione con la staffa di montaggio a parete durante il fissaggio dei ganci di montaggio (supporto) al televisore. Le viti in dotazione sono come appaiono nell'illustrazione, misurate dalla superficie di fissaggio del gancio di montaggio(supporto). Il diametro e la lunghezza delle viti differiscono in base al modello di staffa per il montaggio a parete. L'uso di viti diverse da quelle in dotazione può determinare danni interni al televisore o provocarne la caduta, ecc.



Trasporto

- Prima di trasportare il televisore, scollegare tutti i cavi.
- Per trasportare un televisore di grandi dimensioni sono necessarie due o tre persone.
- Quando si trasporta il televisore manualmente, tenerlo come mostrato sotto. Non praticare pressione sul pannello LCD e sulla cornice intorno allo schermo.



- Durante il trasporto, non sottoporre il televisore a urti o vibrazioni eccessive.
- Nel caso in cui si renda necessario trasportare il televisore per farlo riparare o per un trasloco, richiuderlo sempre nell'imballaggio originale.

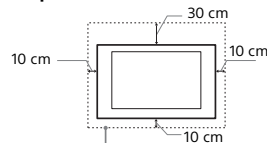
Prevenzione delle cadute

- Prima di inserire la vite per ferro, adagiare lo schermo con la parte anteriore rivolta verso il basso su una superficie di lavoro stabile di dimensioni maggiori rispetto al televisore.
- Per evitare di danneggiare la superficie dello schermo LCD, accertarsi di posizionare un panno morbido sulla superficie di lavoro.

Ventilazione

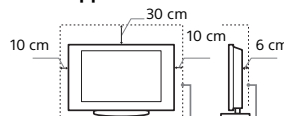
- Non coprire i fori di ventilazione o inserire oggetti nel mobile.
- Lasciare un po' di spazio intorno al televisore.
- Si raccomanda caldamente di utilizzare la staffa di montaggio a parete Sony al fine di consentire un'adeguata circolazione dell'aria.

Installato a parete



Spazio minimo indispensabile attorno al televisore.

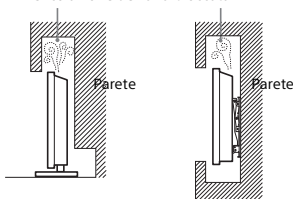
Installato sul supporto



Spazio minimo indispensabile attorno al televisore.

- Per garantire una ventilazione adeguata ed evitare l'accumulo di sporcizia e polvere:
 - Non posare il televisore piatto, né installarlo in posizione capovolta, girato all'indietro o lateralmente.
 - Non posizionare il televisore su uno scaffale o dentro un armadio.
 - Non coprire il televisore con tessuti od oggetti, come per esempio tende, giornali e simili.
 - Non installare il televisore nel modo indicato di seguito.

Circolazione dell'aria bloccata.



Cavo di alimentazione

Maneggiare il cavo e la presa di rete nel modo indicato di seguito al fine di evitare il rischio di incendi, scosse elettriche o danni e/o lesioni:

- Utilizzare soltanto cavi di alimentazione forniti da Sony, non di altre marche.
- Inserire completamente la spina nella presa di rete.
- Utilizzare il televisore esclusivamente con alimentazione da 220-240 V CA.
- Prima di effettuare i collegamenti, per motivi di sicurezza assicurarsi di aver scollegato il cavo di alimentazione e prestare attenzione a non rimanere impigliati nei cavi con i piedi.
- Disinserire il cavo di alimentazione dalla presa di rete prima di effettuare operazioni sul televisore o di spostarlo.
- Tenere il cavo di alimentazione lontano da fonti di calore.
- Scollegare e pulire regolarmente la spina del cavo di alimentazione. Se la spina è ricoperta di polvere ed è esposta a umidità, l'isolamento potrebbe deteriorarsi e provocare un incendio.

Nota

- Non utilizzare il cavo di alimentazione fornito su altri apparecchi.
- Non sottoporre a pressione, piegare o attorcigliare eccessivamente il cavo di alimentazione. I fili interni potrebbero scoprirsi o danneggiarsi.
- Non modificare il cavo di alimentazione.
- Non collocare oggetti pesanti sul cavo di alimentazione.
- Non tirare il cavo di alimentazione per disinserirlo.
- Non collegare un numero eccessivo di apparecchiature alla medesima presa di rete.
- Non utilizzare una presa di rete inadeguata alla spina in uso.

NOTA SULL'ADATTATORE DI RETE

Attenzione

- Per ridurre il rischio di incendi o scosse elettriche, non esporre questo apparato alla pioggia o all'umidità.
- Per evitare il rischio di incendi o scosse elettriche, non appoggiare sull'apparecchio oggetti contenenti liquidi, come vasi o simili.
- Non installare l'apparecchio in uno spazio chiuso, come una libreria o mobili simili.
- Assicurarsi che la presa di corrente sia installata vicino all'apparecchio e che sia facilmente accessibile.
- Accertarsi di utilizzare l'adattatore di rete e il cavo di alimentazione in dotazione.
- Non utilizzare altri adattatori di rete. In caso contrario, potrebbe verificarsi un problema di funzionamento.
- Collegare l'adattatore di rete a una presa di corrente facilmente accessibile.
- Non attorcigliare il cavo di alimentazione attorno all'adattatore di rete. Diversamente i fili del cavo potrebbero spezzarsi e/o potrebbero verificarsi problemi di funzionamento del ricevitore.



- Non toccare l'adattatore di rete con le mani bagnate.
- In caso di anomalie dell'adattatore di rete, scollegarlo immediatamente dalla presa di corrente.
- L'apparecchio non è scollegato dall'alimentazione di rete fino a quando non viene scollegato dalla presa di corrente, anche nel caso in cui sia stato spento.
- Poiché l'adattatore di rete si scalda dopo un uso prolungato, se lo si tocca è possibile scottarsi.

Uso proibito

Non installare/utilizzare il televisore in luoghi, ambienti o situazioni come quelle elencate di seguito: il televisore potrebbe presentare un malfunzionamento e provocare incendi, scosse elettriche, danni e/o lesioni.

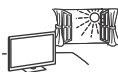
Luogo:

- All'aperto (esposto alla luce solare diretta), in spiaggia, su imbarcazioni, all'interno di un veicolo, in ambiente medico, in posizioni instabili, esposto all'acqua, pioggia, umidità o fumo.
- Se collocato nello spogliatoio di un bagno pubblico o di un centro termale, il televisore potrebbe venire danneggiato dalla presenza di zolfo nell'aria, ecc.
- Per una qualità di immagine ottimale, evitare l'esposizione dello schermo a un'illuminazione diretta o alla luce del sole.
- Evitare di spostare il televisore da un ambiente freddo a un ambiente caldo. I cambiamenti improvvisi di temperatura ambientale possono portare alla formazione di condensa. Ciò potrebbe far sì che il televisore visualizzi immagini di scarsa qualità e/o con colori insoddisfacenti. Nel caso, lasciare evaporare completamente l'umidità prima di accendere il televisore.



Ambiente:

- Luoghi caldi, umidi o eccessivamente polverosi; esposti all'ingresso di insetti; dove potrebbero essere soggetti a vibrazioni meccaniche; nelle vicinanze di oggetti infiammabili (candele, ecc.). Non esporre il televisore a sgocciolamento o spruzzi e non posizionarvi sopra oggetti contenenti liquidi, come per esempio vasi.
- Non collocare il televisore in aree umide o polverose, o in stanze con presenza di fumi oleosi o vapore (nei pressi di tavoli da cucina o umidificatori). Potrebbero verificarsi incendi, scosse elettriche o deformazioni.
- Non installare il televisore in luoghi soggetti a temperature estremamente elevate, ad esempio alla luce solare diretta, in prossimità di radiatori o di ventole di riscaldamento. In tali condizioni il televisore potrebbe surriscaldarsi con conseguente deformazione del rivestimento e/o problemi di funzionamento.



Situazione:

- Non utilizzare con le mani bagnate, senza il mobile o con accessori diversi da quelli raccomandati dal fabbricante. Durante i temporali scollegare il televisore dalla presa di rete e dall'antenna.
- Non installare il televisore in maniera che possa sporgere verso uno spazio aperto. Potrebbero verificarsi lesioni o danni provocati da urti di persone o oggetti contro il televisore.



Rottura di componenti:

- Non tirare oggetti contro il televisore. Il vetro dello schermo potrebbe rompersi a causa dell'impatto e provocare lesioni gravi.
- Se la superficie del televisore si rompe, non toccarla finché non è stato scollegato il cavo di alimentazione. In caso contrario, potrebbero generarsi scosse elettriche.

Periodi di inutilizzo

- Qualora si preveda di non utilizzare il televisore per numerosi giorni, esso dovrà essere scollegato dalla presa di rete per motivi ambientali e di sicurezza.
- Anche se spento, il televisore non è scollegato dalla rete elettrica; per scollegare completamente il televisore, estrarre la spina dalla presa di rete.
- Alcuni televisori potrebbero comunque disporre di funzioni che per operare correttamente richiedono di lasciare il televisore in standby.

Bambini

- Impedire ai bambini di salire sul televisore.
- Tenere gli accessori di piccole dimensioni lontano dalla portata dei bambini, affinché non vengano accidentalmente ingeriti.

Qualora si verificano i seguenti problemi...

Spegnere il televisore e disinserire immediatamente il cavo di alimentazione qualora si verificano i seguenti problemi. Rivolgersi al proprio rivenditore o a Sony per fare controllare il televisore da personale opportunamente qualificato.

Quando:

- Il cavo di alimentazione è danneggiato.
- La presa di rete è inadeguata alla spina in uso.
- Il televisore è danneggiato per una caduta, un urto o un oggetto lanciato.
- All'interno del televisore sono penetrate sostanze liquide o oggetti solidi.

Informazioni sulla temperatura del monitor

LCD

Quando il monitor LCD viene utilizzato per periodi di tempo prolungati, il pannello attorno al monitor si surriscalda. Se si tocca con una mano è possibile scottarsi.

STAFFA DI MONTAGGIO A PARETE

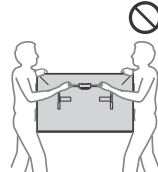
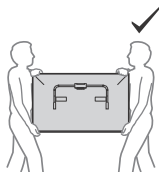
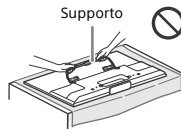
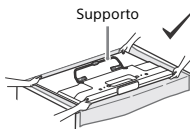
Le informazioni riportate di seguito spiegano come utilizzare correttamente la staffa di montaggio a parete. Accertarsi di leggere attentamente queste informazioni e di utilizzare correttamente la staffa di montaggio a parete.

Per i clienti:

- Osservare le seguenti precauzioni per la sicurezza per evitare lesioni o infortuni seri a causa di incendi, scosse elettriche, caduta o ribaltamento del prodotto.
- Assicurarsi che l'installazione venga eseguita da personale autorizzato e tenere lontani i bambini durante l'installazione.
 - Assicurarsi che lo spostamento o lo smontaggio del televisore vengano eseguiti da personale autorizzato.
 - Non rimuovere viti ecc. dopo aver montato il televisore.
 - Non effettuare modifiche sulla staffa di montaggio a parete.
 - Non montare prodotti diversi da quelli specificati.
 - Non collocare altri oggetti diversi dal televisore sulla staffa di montaggio a parete.
 - Non appoggiarsi né aggrapparsi al televisore.
 - Non esercitare una pressione eccessiva sul televisore durante le operazioni di pulizia o manutenzione.

Per i rivenditori e installatori Sony:

- Le seguenti istruzioni si rivolgono esclusivamente ai rivenditori e installatori Sony. Accertarsi di leggere le precauzioni per la sicurezza descritte di seguito e prestare particolare attenzione alla sicurezza durante le operazioni di installazione, manutenzione e controllo del prodotto.
- Durante lo spostamento o il montaggio del televisore, afferrarlo da entrambi i lati. Non sollevare il televisore tenendolo per il supporto.



- Non installare la staffa di montaggio a parete su una parete se gli angoli o i lati del televisore sporgono dalla superficie della parete stessa.



- Non installare il televisore sopra o sotto un condizionatore.
- Accertarsi di installare saldamente la staffa di montaggio a parete sulla parete rispettando le istruzioni contenute in questo manuale di istruzioni. Se una o più viti dovessero apparire allentate o dovessero cadere, la staffa di montaggio a parete potrebbe cadere a sua volta, causando lesioni a persone o danni a oggetti.
- Accertarsi di utilizzare correttamente le viti e gli altri materiali per l'installazione in dotazione rispettando le istruzioni contenute in questo manuale di istruzioni. Se si utilizzano altri materiali, il televisore potrebbe cadere e causare lesioni a persone o danni al televisore stesso.
- Accertarsi di montare correttamente la staffa rispettando la procedura spiegata nel presente manuale di istruzioni.
- Accertarsi di serrare saldamente le viti nella posizione indicata.
- Evitare che il televisore subisca urti o colpi durante l'installazione.
- Accertarsi di installare il televisore su una parete perpendicolare e piana.
- Dopo aver completato correttamente l'installazione del televisore, fissare correttamente i cavi.
- Verificare che i cavi di alimentazione o di collegamento non rimangano incastrati; in caso contrario, è possibile che i conduttori interni restino scoperti, provocando cortocircuiti o rotture dei cavi stessi.



Precauzioni

Visione del televisore

- La visione di immagini video 3D o l'utilizzo di videogiochi stereoscopici in 3D può causare disturbi (sforzato visivo eccessivo, affaticamento, nausea) in alcune persone. Sony consiglia a tutti gli utilizzatori di effettuare pause regolari durante la visione di immagini 3D o durante l'utilizzo di videogiochi stereoscopici in 3D. La durata e la frequenza delle pause necessarie variano da una persona all'altra. Le scelte ottimali devono essere prese in autonomia. Se si avverte la frequenza delle pause necessarie variano da una persona all'altra. Le scelte ottimali devono essere prese in autonomia. Se si avverte la frequenza delle pause necessarie variano da una persona all'altra. Le scelte ottimali devono essere prese in autonomia. Se si avverte la frequenza delle pause necessarie variano da una persona all'altra. Le scelte ottimali devono essere prese in autonomia.
- Non utilizzare, conservare o lasciare gli Occhiali 3D o la pila vicino al fuoco o in luoghi con temperature elevate, per es. alla luce diretta del sole o all'interno di auto esposte ai raggi solari.
- Durante l'uso della funzione 3D simulato, tenere presente che l'immagine visualizzata viene modificata rispetto all'originale a causa della conversione operata da questo televisore.
- Si consiglia la visione del televisore in condizioni di luce adatta, in quanto condizioni di luce scarsa o periodi prolungati danneggiano la vista.
- Onde evitare danni all'udito, durante l'uso delle cuffie regolare il volume a livelli moderati.

Schermo LCD

- Per quanto lo schermo LCD sia realizzato con tecnologia ad alta precisione e disponga del 99,99% od oltre di pixel effettivi, potranno comparire ripetutamente punti neri o luminosi (rossi, blu o verdi) sullo schermo. Ciò costituisce una caratteristica di fabbricazione dello schermo LCD e non è un problema di funzionamento.
- Non spingere o graffiare il filtro anteriore e non posizionare oggetti sopra al televisore. L'immagine potrà risultare non uniforme o lo schermo LCD danneggiato.
- Se il televisore viene utilizzato in un luogo freddo, le immagini potrebbero risultare distorte o più scure del normale. Non si tratta di un problema di funzionamento, bensì di un fenomeno che scompare con l'aumento della temperatura.
- Se vengono visualizzati in modo continuo fermi immagine, è possibile che si presentino un'immagine residua. Tale immagine scompare dopo alcuni istanti.
- Durante l'uso del televisore, lo schermo e il rivestimento si scaldano. Non si tratta di un problema di funzionamento.
- Lo schermo LCD contiene piccole quantità di cristalli liquidi. Per lo smaltimento attenersi ai regolamenti e alle normative locali.

Cura e pulizia della superficie dello schermo e del rivestimento

Verificare di avere disinserito il cavo di alimentazione collegato al televisore dalla presa di rete prima di procedere alla pulizia.

Per evitare il degradamento del materiale o del rivestimento dello schermo, prendere le seguenti precauzioni.

- Per rimuovere la polvere dalla superficie dello schermo e dal rivestimento, utilizzare un panno morbido e procedere con delicatezza. Se la polvere persiste, utilizzare un panno morbido leggermente inumidito con una soluzione detergente neutra diluita.
- Non spruzzare acqua o detergente direttamente sul televisore. Potrebbe gocciolare verso la parte inferiore dello schermo o altre parti esterne entrando nel televisore e causando danni al funzionamento.



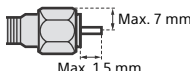
- Non utilizzare spugnette abrasive, detersivi alcalini o acidi, polveri abrasive o solventi volatili quali alcool, benzene, diluenti o insetticidi. L'uso di tali materiali o il contatto prolungato con gomma o materiali vinilici potrebbero danneggiare la superficie dello schermo e il materiale di rivestimento del televisore.
- Si consiglia di passare di tanto in tanto l'aspirapolvere sulle aperture di ventilazione per garantire una ventilazione adeguata.
- Per regolare l'angolazione del televisore, spostarlo lentamente in modo da evitare che muovendolo scivoli dalla base.

Apparecchiature opzionali

- Mantenere i componenti opzionali o eventuali apparecchiature che emettono radiazioni elettromagnetiche lontano dal televisore. In caso contrario, si potranno verificare distorsione dell'immagine e/o disturbi dell'audio.
- Il presente apparecchio è stato testato ed è risultato conforme ai limiti imposti dalla Direttiva EMC utilizzando un cavo di collegamento del segnale di lunghezza inferiore a 3 metri.

Raccomandazione spina tipo F

La sporgenza del filo interno dall'elemento di collegamento deve essere inferiore a 1,5 mm.



(Figura di riferimento della spina tipo F)

Precauzione per l'uso del telecomando

- Inserire le batterie rispettando la corretta polarità.
- Non utilizzare tipi diversi di batterie insieme o combinare batterie usate e nuove.
- Nel rispetto dell'ambiente, depositare le batterie scariche negli appositi contenitori adibiti alla raccolta differenziata. Alcune regioni potrebbero avere normative particolari per lo smaltimento delle batterie. Consultare le autorità locali.
- Maneggiare il telecomando con cura, evitando di lasciarlo cadere, calpestarlo o rovesciarlo sopra liquidi di alcun tipo.
- Non posizionare il telecomando in prossimità di fonti di calore, né in luoghi direttamente esposti alla luce solare o in stanze umide.

Funzione Wireless dell'unità

- Non utilizzare l'unità in prossimità di apparecchiature medicali (pacemaker e simili), in quanto potrebbe provocare anomalie di funzionamento a tali dispositivi.
- Anche se questa unità trasmette/riceve segnali codificati, fare attenzione alle intercettazioni non autorizzate. Si declina ogni responsabilità per gli eventuali inconvenienti che dovessero verificarsi.

STAFFA DI MONTAGGIO A PARETE

- Se si utilizza il televisore installato sulla staffa di montaggio a parete per un tempo prolungato, è possibile che la parete dietro o sopra il televisore si scolorisca o che la carta da parati si stacchi, a seconda del materiale di cui è costituita la parete.
- Se la staffa di montaggio a parete viene rimossa dopo essere stata installata sulla parete, i fori delle viti rimangono.
- Non utilizzare la staffa di montaggio a parete in luoghi soggetti a vibrazioni meccaniche.

Smaltimento del televisore



Trattamento del dispositivo elettrico o elettronico a fine vita (applicabile in tutti i paesi dell'Unione Europea e in altri paesi europei con sistema di raccolta differenziata)

Questo simbolo sul prodotto o sulla confezione indica che il prodotto non deve essere

considerato come un normale rifiuto domestico, ma deve invece essere consegnato ad un punto di raccolta appropriato per il riciclo di apparecchi elettrici ed elettronici. Assicurandovi che questo prodotto sia smaltito correttamente, voi contribuirete a prevenire potenziali conseguenze negative per l'ambiente e per la salute che potrebbero altrimenti essere causate dal suo smaltimento inadeguato. Il riciclaggio dei materiali aiuta a conservare le risorse naturali. Per informazioni più dettagliate circa il riciclaggio di questo prodotto, potete contattare l'ufficio comunale, il servizio locale di smaltimento rifiuti oppure il negozio dove l'avete acquistato. In caso di smaltimento abusivo di apparecchiature elettriche e/o elettroniche potrebbero essere applicate le sanzioni previste dalla normativa applicabile (valido solo per l'Italia).



Trattamento delle pile esauste (applicabile in tutti i paesi dell'Unione Europea e in altri paesi Europei con sistema di raccolta differenziata)

Questo simbolo sul prodotto o sulla confezione

indica che la pila non deve essere considerata un normale rifiuto domestico. Su alcuni tipi di pile questo simbolo potrebbe essere utilizzato in combinazione con un simbolo chimico. I simboli chimici del mercurio (Hg) o del piombo (Pb) sono aggiunti, se la batteria contiene più dello 0,0005% di mercurio o dello 0,004% di piombo. Assicurandovi che le pile siano smaltite correttamente, contribuirete a prevenire potenziali conseguenze negative per l'ambiente e per la salute che potrebbero altrimenti essere causate dal loro inadeguato smaltimento. Il riciclaggio dei materiali aiuta a conservare le risorse naturali. In caso di prodotti che per motivi di sicurezza, prestazione o protezione dei dati richiedano un collegamento fisso ad una pila interna, la stessa dovrà essere sostituita solo da personale di assistenza qualificato. Consegnare il prodotto a fine vita al punto di raccolta idoneo allo smaltimento di apparecchiature elettriche ed elettroniche; questo assicura che anche la pila al suo interno venga trattata correttamente. Per le altre pile consultate la sezione relativa alla rimozione sicura delle pile. Conferire le pile esauste presso i punti di raccolta indicati per il riciclo. Per informazioni più dettagliate circa lo smaltimento della pila esausta o del prodotto, potete contattare il Comune, il servizio locale di smaltimento rifiuti oppure il negozio dove l'avete acquistato.

Installazione del televisore a parete

Per i clienti

Per l'installazione di questo prodotto è necessario disporre di sufficiente competenza. Assicurarsi che l'installazione venga eseguita da rivenditori Sony o da personale autorizzato e prestare la dovuta attenzione alla sicurezza durante l'installazione. Sony non potrà essere ritenuta responsabile per danni o lesioni causate da usi non appropriati del prodotto, da installazione non corretta o da installazioni di prodotti diversi da quello specificato. Quanto dichiarato non pregiudica (eventuali) diritti legali dell'acquirente.

Per i rivenditori e installatori Sony

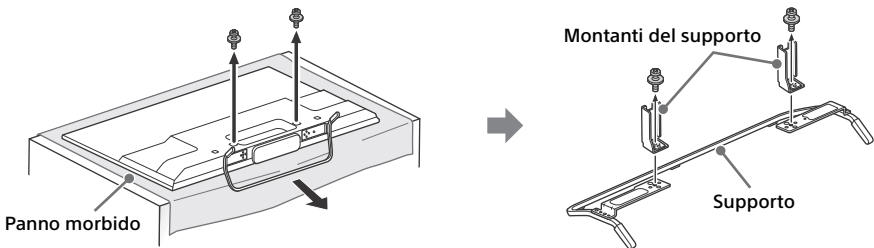
Per l'installazione di questo prodotto è necessario disporre di sufficiente competenza. Leggere attentamente il presente manuale di istruzioni per garantire la corretta esecuzione della procedura di installazione. Sony non potrà essere ritenuta responsabile per danni o lesioni causate da usi non appropriati del prodotto o da installazione non corretta.

Il supporto da tavolo del televisore sarà utilizzato come parte integrante della staffa di montaggio a parete.

Nota

- Vedere a pagina 3 (Informazioni di sicurezza) e a pagina 6 (Precauzioni) su STAFFA DI MONTAGGIO A PARETE prima di eseguire l'installazione della staffa di montaggio a parete.
- Se il supporto da tavolo è fissato al televisore, prima staccarlo dal televisore.
- Prima di fissare il supporto o di rimuovere il supporto da tavolo dal televisore, posizionare il televisore con lo schermo rivolto verso il basso su una superficie piana e stabile coperta da un panno spesso e morbido più ampio del televisore per evitare di danneggiare la superficie dello schermo LCD.
- Una volta staccati i montanti del supporto dal supporto, accertarsi di conservare al sicuro i montanti del supporto e le viti.
- Mentre si fissa nuovamente il supporto da tavolo, assicurarsi di serrare le viti (precedentemente rimosse) nei fori originali sul retro del televisore.
- Accertarsi che il televisore si trovi in posizione verticale prima di accenderlo. Il televisore non deve essere acceso quando il pannello LCD è posizionato a faccia in giù per evitare la visualizzazione di immagini irregolari e non uniformi.

Come staccare il supporto da tavolo dal televisore

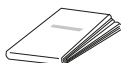


Installazione delle staffe sulla parete

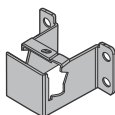
1 Preparare i componenti necessari.

Accessori per la staffa di montaggio a parete (in dotazione)

A Sagoma di carta



B Base per il montaggio a parete
KDL-50W82xB,
KDL-50W81xB,
KDL-50W80xB,
KDL-50W70xB (2)
KDL-42W82xB,
KDL-42W81xB,
KDL-42W80xB,
KDL-42/32W70xB (1)



C Protezione del supporto
KDL-50W82xB,
KDL-50W81xB,
KDL-50W80xB,
KDL-50W70xB (2)
KDL-42W82xB,
KDL-42W81xB,
KDL-42W80xB,
KDL-42/32W70xB (1)



D Vite
(+PSW 6 x 12) (2)



E Distanziale (2)



F Piastra della staffa
KDL-50W82xB,
KDL-50W81xB,
KDL-50W80xB,
KDL-50W70xB (2)
KDL-42W82xB,
KDL-42W81xB,
KDL-42W80xB,
KDL-42/32W70xB (1)

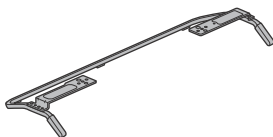


G Vite (+PSW 4 x 10)
KDL-50W82xB,
KDL-50W81xB,
KDL-50W80xB,
KDL-50W70xB (2)
KDL-42W82xB,
KDL-42W81xB,
KDL-42W80xB,
KDL-42/32W70xB (1)



Supporto (in dotazione)

H

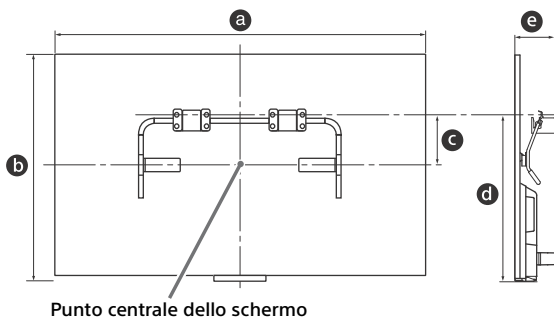


Viti per la base per il montaggio a parete (8 mm di diametro, non in dotazione)

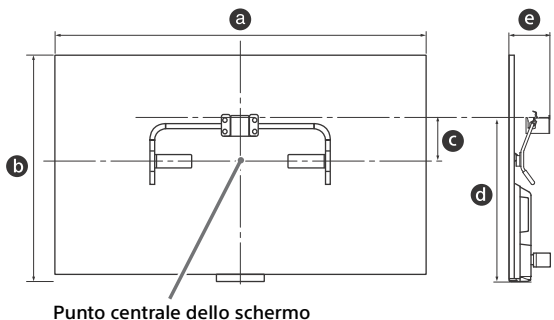
KDL-50W82xB,
KDL-50W81xB,
KDL-50W80xB,
KDL-50W70xB (8)
KDL-42W82xB,
KDL-42W81xB,
KDL-42W80xB,
KDL-42/32W70xB (4)

- 2 Accertarsi che sulla parete ci sia spazio a sufficienza e che la parete sia in grado di sostenere un peso pari ad almeno quattro volte quello del televisore. Consultare la tabella seguente per installare il televisore a parete. Vedere a pagina 16-19 (Caratteristiche tecniche) per controllare il peso del televisore.

KDL-50W82xB, KDL-50W81xB, KDL-50W80xB, KDL-50W70xB



KDL-42W82xB, KDL-42W81xB, KDL-42W80xB, KDL-42/32W70xB



Unità: cm

Nome del modello KDL-	Dimensioni del display		Dimensione centrale dello schermo	Lunghezza per il montaggio	
	a	b		d	e
50W82xB/ 50W81xB/ 50W80xB/ 50W70xB	111,6	65,6	13,0	46,9	11,8
42W82xB/ 42W81xB/ 42W80xB/ 42W70xB	95,8	56,3	17,5	46,5	11,8
32W70xB	72,9	43,3	18,8	41,3	11,3

Nota

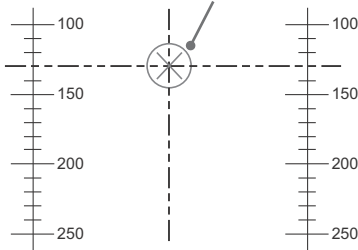
- Le cifre nella tabella possono variare leggermente a seconda dell'installazione.

3 Fare un segno sulla sagoma di carta **A** per indicare il centro dello schermo del televisore.

**KDL-50W82xB, KDL-50W81xB,
KDL-50W80xB, KDL-50W70xB**

Scala sulla sagoma di carta **A**

Segno per KDL-50W82xB, KDL-50W81xB,
KDL-50W80xB, KDL-50W70xB

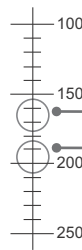


**KDL-42W82xB, KDL-42W81xB,
KDL-42W80xB, KDL-42/32W70xB**

Scala sulla sagoma di carta **A**

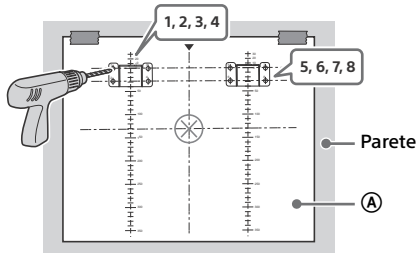
Segno per KDL-42W82xB,
KDL-42W81xB, KDL-42W80xB,
KDL-42W70xB

Segno per KDL-32W70xB

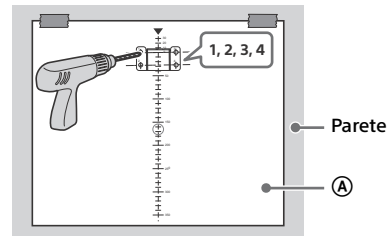


4 Fissare la sagoma di carta **A** alla parete ed eseguire i fori utilizzando un trapano elettrico e seguendo la numerazione indicata sulla sagoma di carta **A**.

**KDL-50W82xB, KDL-50W81xB,
KDL-50W80xB, KDL-50W70xB**



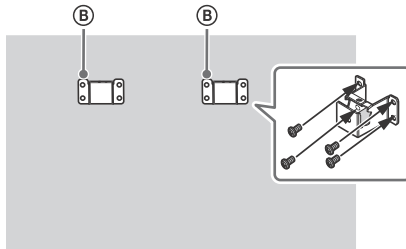
**KDL-42W82xB, KDL-42W81xB,
KDL-42W80xB, KDL-42/32W70xB**



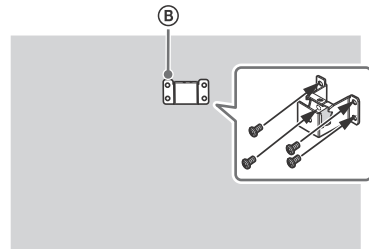
5 Staccare la sagoma di carta **A** dalla parete.

6 Fissare correttamente la base per il montaggio a parete **B** alla parete utilizzando le viti (8 mm di diametro, non in dotazione).

**KDL-50W82xB, KDL-50W81xB,
KDL-50W80xB, KDL-50W70xB**

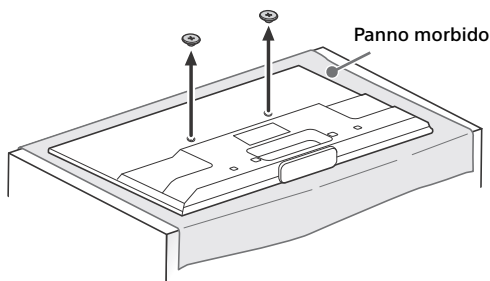


**KDL-42W82xB, KDL-42W81xB,
KDL-42W80xB, KDL-42/32W70xB**



Preparazione per l'installazione del televisore

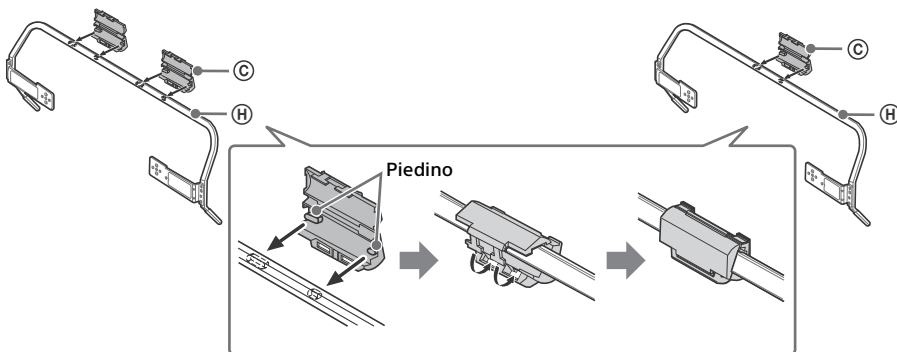
- 1 Rimuovere le viti dal retro del televisore. Accertarsi di conservare le viti rimosse al sicuro, fuori dalla portata dei bambini.



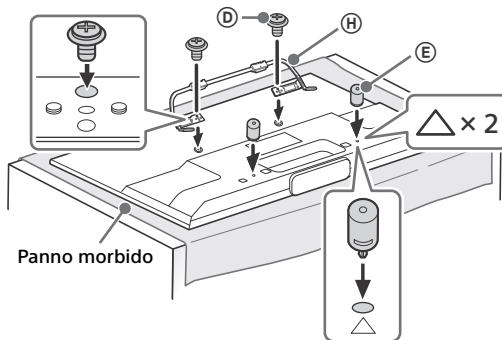
- 2 Inserire il perno (sulla protezione del supporto ©) nel foro del supporto ④, quindi piegare la protezione del supporto ©. Verificare che la protezione del supporto © sia fissata saldamente al supporto ④.

KDL-50W82xB, KDL-50W81xB,
KDL-50W80xB, KDL-50W70xB

KDL-42W82xB, KDL-42W81xB,
KDL-42W80xB, KDL-42/32W70xB

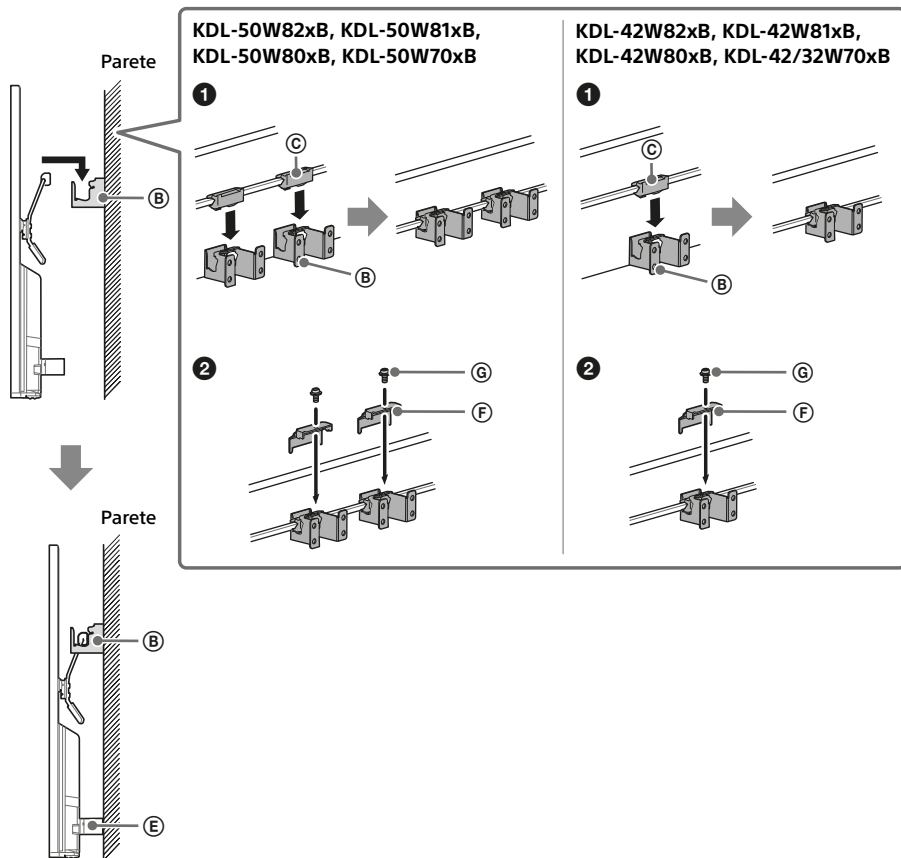


- 3 Fissare il supporto ④ al televisore utilizzando le viti ⑤ in dotazione. Fissare i distanziali ⑥ ai fori indicati dai simboli triangolari △. KDL-50W82xB, KDL-50W81xB, KDL-50W80xB, KDL-50W70xB è usato a scopo illustrativo.



Installazione del televisore a parete

- 1 Accertarsi di collegare e raggruppare i cavi prima di installare il televisore a parete.
- 2 Installare il televisore a parete. Quindi verificare che la protezione del supporto © sia saldamente bloccata nella base per il montaggio a parete © e che i distanziali © tocchino la parete. Fissare la piastra della staffa © utilizzando le viti © in dotazione.



IT

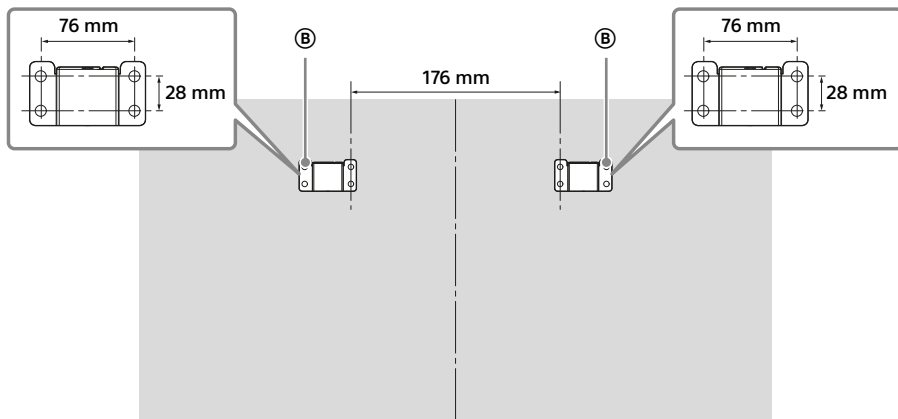
Dimensioni per le posizioni dei fori sulla parete

Fornire le informazioni seguenti al personale autorizzato, secondo necessità.

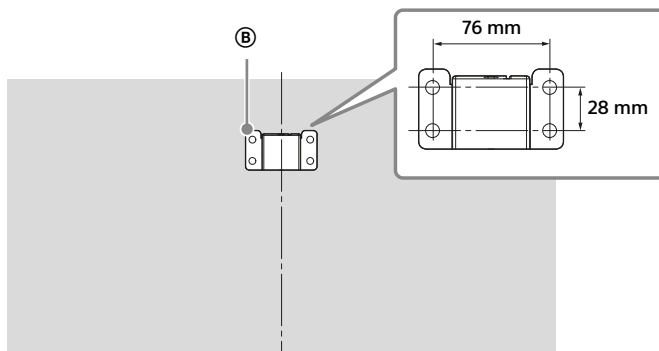
Utilizzare viti con diametro di 8 mm (non in dotazione) per installare la base per il montaggio a parete ② sulla parete.

Per un'installazione più semplice, accertarsi di utilizzare la sagoma di carta ① in dotazione che mostra la posizione effettiva della base per il montaggio a parete.

KDL-50W82xB, KDL-50W81xB, KDL-50W80xB, KDL-50W70xB



KDL-42W82xB, KDL-42W81xB, KDL-42W80xB, KDL-42/32W70xB



Per istruzioni sull'installazione della staffa di montaggio a parete per il proprio modello di TV, fare riferimento al seguente sito Web:

www.sony.eu/tv/wall-mount-bracket-manual

Risoluzione dei problemi

Se l'illuminazione del LED lampeggia in rosso, contare il numero di lampeggi (l'intervallo è di tre secondi).

Se l'illuminazione del LED lampeggia in rosso, azzerare il televisore scollegando il cavo di alimentazione dal televisore per due minuti, quindi accendere il televisore.

Se il problema persiste, rivolgersi al rivenditore o al centro servizi Sony comunicando il numero di volte in cui l'illuminazione del LED lampeggia in rosso (l'intervallo è tre secondi). Premere I/⏻ sul televisore per spegnerlo, scollegare il cavo di alimentazione e informare il rivenditore o il centro servizi Sony.

Se l'illuminazione del LED non lampeggia, controllare quanto riportato nelle tabelle di seguito.

È possibile anche fare riferimento a [Risoluzione dei problemi] nell'i-Manual oppure eseguire l'autodiagnostica selezionando ? [Guida] → [Assistenza clienti] → [Autodiagnostica]. Se il problema persiste, rivolgersi a personale qualificato per l'assistenza.

Problemi e soluzioni

Assenza di immagine (schermo scuro) e assenza di audio.

- Controllare il collegamento dell'antenna/del cavo.
- Collegare il televisore alla presa di alimentazione CA e premere I/⏻ sul televisore o sul telecomando.

Alcuni programmi non possono essere sintonizzati.

- Controllare l'antenna o la parabola.
- Il cavo del satellite potrebbe essere in corto circuito o ci potrebbero essere dei problemi di connessione dello stesso. Verificare il cavo e la connessione, quindi spegnere il televisore utilizzando il pulsante di accensione/ spegnimento principale, quindi riaccenderlo.
- La frequenza inserita è al di fuori dai parametri. Vogliate consultare la società che si occupa delle trasmissioni del satellite.

Non sono stati trovati servizi (programmi) trasmessi da TV via cavo.

- Verificare il collegamento dei cavi o la configurazione della sintonizzazione.
- Provare ad attivare [Preselezione Digitale Automatica] selezionando [Antenna] invece di [via Cavo].

Il telecomando non funziona.

- Sostituire le batterie.
- Il televisore potrebbe trovarsi in modalità SYNC. Premere **SYNC MENU**, quindi selezionare [Controllo TV] e selezionare [Home (menu)] o [Opzioni] per controllare il televisore.

La password di [Blocco Programmi] è stata dimenticata.

- Inserire 9999 come codice PIN (il codice PIN 9999 è sempre accettato).

Le aree attorno al televisore si surriscaldano.

- Quando il televisore viene utilizzato per un periodo prolungato, le aree attorno al televisore si surriscaldano.
Se si tocca con una mano è possibile scottarsi.

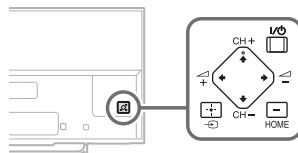
L'audio o il video è bloccato, lo schermo appare vuoto o il televisore non risponde ai comandi del televisore o del telecomando.

- Eseguire un semplice ripristino del televisore scollegando il cavo di alimentazione CA per due minuti, quindi collegarlo nuovamente.


Impossibile trovare i tasti I/⏻, CH+/-, ◀ +/-, ▲/▼/◆/◆, ⏪, ⏩ e HOME sul televisore.

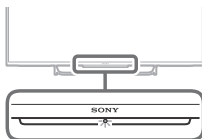
- Fare riferimento all'illustrazione sottostante per verificare la posizione dei tasti sul televisore.

Retro del televisore



L'illuminazione del LED è accesa.

- Se non si desidera che l'illuminazione del LED sia accesa, è possibile spegnerla. Premere **HOME**, quindi selezionare  [Impostazioni] → [Impostazioni di sistema] → [Impostazione generale] → [Illuminazione del LED] → [No]. È possibile anche premere **OPTIONS**, e quindi selezionare [Illuminazione del LED] → [No].



Impossibile connettersi a un router wireless tramite WPS.

- Se si utilizza la chiave di sicurezza WEP, selezionare [Rapida] → [Wi-Fi] → [Connetti con elenco di ricerca].
Quindi, selezionare il nome della rete (SSID) a cui ci si desidera connettere.

Impossibile trovare il nome della rete desiderata nella configurazione di rete.

- Selezionare [[Immissione manuale]] e premere ⊕ per immettere il nome della rete.

Caratteristiche tecniche

Sistema

Sistema pannello

Pannello LCD (Display Cristalli Liquidi),
Retroilluminazione a LED

Sistema TV

Analogico: In base alla nazione/regione
selezionata: B/G, D/K, L, I, M
Digitale: DVB-T/DVB-C
DVB-T2
Satellite: DVB-S/DVB-S2

Sistema Colore/Video

Analogico: PAL, SECAM, NTSC3.58, NTSC4.43
Digitale: Consultare i-Manual.

Copertura dei canali

Analogico: UHF/VHF/via cavo, in base alla
nazione/regione selezionata.
Digitale: UHF/VHF/via cavo, in base alla nazione/
regione selezionata.
Satellite: Frequenza IF 950-2150 MHz

Uscita audio

8 W + 8 W (tranne KDL-32W70xB)
5 W + 5 W (solo KDL-32W70xB)

Tecnologia wireless

Protocollo IEEE802.11a/b/g/n

Jack di entrata/uscita

Cavo dell'antenna

Terminale esterno 75 ohm per VHF/UHF

Antenna Satellite

Connettore di Tipo F Femmina IEC169-24, 75 ohm.
DiSEqC 1.0, LNB 13 V/18 V & tonalità 22 kHz, Distr.
via cavo singolo EN50494.

/ AV1

Connettore scart a 21 pin (standard CENELEC) per
ingresso audio/video, ingresso RGB e uscita
audio/video TV.

/ COMPONENT IN

YPbPr (Video component): 1080p (50, 60 Hz),
1080i (50, 60 Hz), 720p (50, 60 Hz), 576p, 576i,
480p, 480i
Ingresso audio (connettori fono)

AV2

Ingresso video (pin fono comune con ingresso Y)

HDMI IN 1, 2, 3, 4 (tranne KDL-50/42/32W70xB)

Video (2D): 1080p (30, 50, 60 Hz), 1080/24p, 1080i (50, 60 Hz), 720p (30, 50, 60 Hz), 720/24p, 576p, 576i, 480p, 480i, Formati PC

Video (3D):

Frame Packing: 1080p (30 Hz), 1080/24p, 1080i (50, 60 Hz), 720p (30, 50, 60 Hz), 720/24p
Fianco a fianco: 1080p (50, 60 Hz), 1080/24p, 1080i (50, 60 Hz), 720p (50, 60 Hz)
Sotto-sopra: 1080p (30, 50, 60 Hz), 1080/24p, 1080i (50, 60 Hz), 720p (50, 60 Hz)

Audio: Formato PCM lineare a 5.1 canali: 32, 44,1 e 48 kHz, 16, 20 e 24 bits, Dolby Digital
ARC (Audio Return Channel) (solo HDMI IN 2)

HDMI IN 1, 2, 3, 4 (solo KDL-50/42/32W70xB)

Video: 1080p (30, 50, 60 Hz), 1080/24p, 1080i (50, 60 Hz), 720p (30, 50, 60 Hz), 720/24p, 576p, 576i, 480p, 480i, Formati PC

Audio: Formato PCM lineare a 5.1 canali: 32, 44,1 e 48 kHz, 16, 20 e 24 bits, Dolby Digital
ARC (Audio Return Channel) (solo HDMI IN 2)

MHL (Comune con HDMI IN 1)

(tranne KDL-50/42/32W70xB)

Video (2D): 1080p (30 Hz), 1080/24p, 1080i (50, 60 Hz), 720p (30, 50, 60 Hz), 720/24p, 576p, 576i, 480p, 480i

Video (3D):

Fianco a fianco: 1080/24p, 1080i (50, 60 Hz), 720p (50, 60 Hz)
Sotto-sopra: 1080p (30 Hz), 1080/24p, 1080i (50, 60 Hz), 720p (50, 60 Hz)

Audio: Formato PCM lineare a 5.1 canali: 32, 44,1 e 48 kHz, 16, 20 e 24 bits, Dolby Digital

MHL (Comune con HDMI IN 1)

(solo KDL-50/42/32W70xB)

Video: 1080p (30 Hz), 1080/24p, 1080i (50, 60 Hz), 720p (30, 50, 60 Hz), 720/24p, 576p, 576i, 480p, 480i

Audio: Formato PCM lineare a 5.1 canali: 32, 44,1 e 48 kHz, 16, 20 e 24 bits, Dolby Digital

Ⓞ DIGITAL AUDIO OUT (OPTICAL)

Jack ottico digitale (PCM lineare due canali, Dolby Digital)

Ⓞ AUDIO OUT/Ⓞ

Uscita audio (minijack stereo)
Jack cuffie
(supporta uscita subwoofer)

Ⓜ1 (HDD REC), Ⓜ2

Porta dell'unità disco rigido USB (solo Ⓜ1), porta USB



Alloggiamento CAM (Conditional Access Module, modulo di accesso condizionale)

Ⓞ DC IN 19.5 V

Ingresso alimentatore



LAN

Connettore 10BASE-T/100BASE-TX (La velocità di connessione può variare a seconda delle caratteristiche operative della rete. La velocità di comunicazione 10BASE-T/100BASE-TX e la qualità di comunicazione non sono garantite con questo televisore.)

Altri

Accessori opzionali

Telecomando touchpad: RMF-ED004

Webcam con microfono integrato: CMU-BR200/
CMU-BR100

Subwoofer wireless: SWF-BR100

Cavo MHL: DLC-MB10/DLC-MB20/DLC-MC10/
DLC-MC20

Occhiali 3D attivi: TDG-BT500A (solo
KDL-50W82xB, KDL-50W81xB, KDL-50W80xB)



Occhiali 3D passivi: TDG-500P (solo
KDL-42W82xB, KDL-42W81xB, KDL-42W80xB)



Temperatura di funzionamento

Da 0 °C a 40 °C

Umidità di funzionamento

Dal 10% all'80% di u. r. (senza condensa)

Alimentazione e altre informazioni

Requisiti di alimentazione

19,5 V CC con alimentatore CA

Valori nominali: ingresso 220 V - 240 V CA, 50 Hz

Classe di efficienza energetica

KDL-50W82xB, KDL-50W81xB, KDL-50W80xB,

KDL-50W70xB: A++

KDL-42W82xB, KDL-42W81xB, KDL-42W80xB,

KDL-42W70xB: A+

KDL-32W70xB: A

Dimensioni schermo (diagonale)

(Approssimative)

KDL-50W82xB, KDL-50W81xB, KDL-50W80xB,

KDL-50W70xB: 50 pollici / 125,7 cm

KDL-42W82xB, KDL-42W81xB, KDL-42W80xB,

KDL-42W70xB: 42 pollici / 106,7 cm

KDL-32W70xB: 32 pollici / 80,1 cm

Potenza assorbita

in modalità [Standard]

KDL-50W82xB, KDL-50W81xB, KDL-50W80xB,
KDL-50W70xB: 51 W
KDL-42W82xB, KDL-42W81xB, KDL-42W80xB,
KDL-42W70xB: 50 W
KDL-32W70xB: 39 W

in modalità [Brillante]

KDL-50W82xB, KDL-50W81xB, KDL-50W80xB,
KDL-50W70xB: 100 W
KDL-42W82xB, KDL-42W81xB, KDL-42W80xB,
KDL-42W70xB: 99 W
KDL-32W70xB: 80 W

Consumo energetico medio annuo*1

KDL-50W82xB, KDL-50W81xB, KDL-50W80xB,
KDL-50W70xB: 71 kWh
KDL-42W82xB, KDL-42W81xB, KDL-42W80xB,
KDL-42W70xB: 69 kWh
KDL-32W70xB: 54 kWh

Potenza assorbita in modalità standby*2

0,5 W (10 W in modalità aggiornamento software/
EPG)

Risoluzione schermo

1.920 punti (orizzontale) × 1.080 linee (verticale)

Dimensioni (Approssimative) (l × a × p)

con supporto da tavolo

KDL-50W82xB, KDL-50W81xB, KDL-50W80xB,
KDL-50W70xB: 111,6 × 69,3 × 17,9 cm
KDL-42W82xB, KDL-42W81xB, KDL-42W80xB,
KDL-42W70xB: 95,8 × 60,0 × 17,0 cm
KDL-32W70xB: 72,9 × 46,5 × 14,1 cm

senza supporto da tavolo

KDL-50W82xB, KDL-50W81xB, KDL-50W80xB,
KDL-50W70xB: 111,6 × 65,6 × 6,4 cm
KDL-42W82xB, KDL-42W81xB, KDL-42W80xB,
KDL-42W70xB: 95,8 × 56,3 × 6,4 cm
KDL-32W70xB: 72,9 × 43,3 × 6,4 cm

Peso (Approssimativo)

con supporto da tavolo

KDL-50W82xB, KDL-50W81xB, KDL-50W80xB,
KDL-50W70xB: 14,8 kg
KDL-42W82xB, KDL-42W81xB, KDL-42W80xB,
KDL-42W70xB: 11,7 kg
KDL-32W70xB: 7,9 kg

senza supporto da tavolo

KDL-50W82xB, KDL-50W81xB, KDL-50W80xB,
KDL-50W70xB: 13,6 kg
KDL-42W82xB, KDL-42W81xB, KDL-42W80xB,
KDL-42W70xB: 10,5 kg
KDL-32W70xB: 6,9 kg

*1 Consumo energetico all'anno, basato sul consumo di corrente di un televisore che funzioni 4 ore al giorno per 365 giorni. Il consumo energetico effettivo dipenderà dal modo in cui verrà utilizzato il televisore.

*2 Il consumo specificato in standby viene raggiunto una volta ultimati i processi interni necessari del televisore.

Nota

- La "x" che appare sul nome del modello corrisponde a un carattere numerico correlato al design, al colore o al sistema TV.
 - Non rimuovere la scheda finta dall'alloggiamento CAM (Conditional Access Module, modulo di accesso condizionale) del televisore quando non è necessario inserire una vera smart card.
 - La disponibilità degli accessori opzionali dipende dai paesi/dalle regioni/dai modelli di televisore/dalle scorte.
 - Design e caratteristiche tecniche sono soggetti a modifiche senza preavviso.
- Questo televisore include MHL 2.

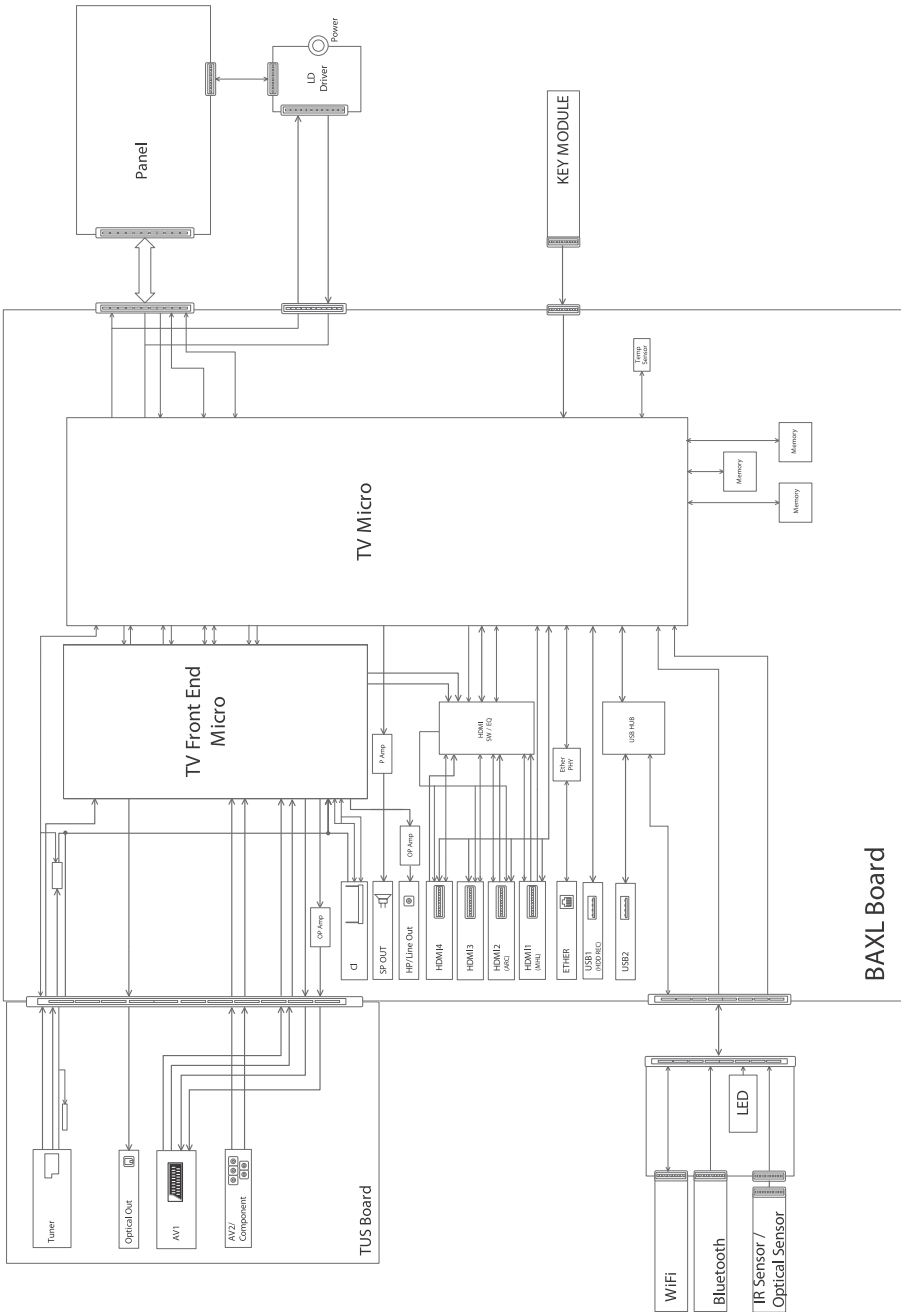
Note sul funzionamento del televisore digitale

- Le funzioni relative al televisore digitale (DVB) saranno attive esclusivamente in paesi o zone dove vengano trasmessi i segnali digitali terrestri DVB-T/DVB-T2 (MPEG-2 e H.264/MPEG-4 AVC) o dove sia disponibile un servizio via cavo DVB-C compatibile (MPEG-2 e H.264/MPEG-4 AVC). Verificare con il proprio rivenditore locale la possibilità di ricevere un segnale DVB-T/DVB-T2 nella zona di residenza o chiedere al fornitore di servizi via cavo se il servizio DVB-C è adatto al funzionamento integrato con questo televisore.
- Il vostro fornitore di servizi via cavo potrà addebitare un costo aggiuntivo per tale servizio e richiedere che vengano accettati i propri termini e condizioni commerciali.
- Sebbene questo televisore segua le specifiche DVB-T/DVB-T2 e DVB-C, non è possibile garantire la compatibilità con future trasmissioni digitali terrestri DVB-T/DVB-T2 e digitali via cavo DVB-C.
- Alcune funzioni del televisore digitale potranno non essere disponibili in alcuni paesi/regioni e il cavo DVB-C potrà non funzionare correttamente con tutti i fornitori.

Informazioni sui marchi

- I termini HDMI e HDMI High-Definition Multimedia Interface e il logo HDMI sono marchi di fabbrica o marchi di fabbrica registrati di HDMI Licensing LLC negli Stati Uniti e in altri Paesi.
- DLNA®, il logo DLNA e DLNA CERTIFIED® sono marchi, marchi di servizio o marchi di certificazione di Digital Living Network Alliance.
- Prodotto su licenza di Dolby Laboratories. Dolby e il simbolo della doppia D sono marchi di Dolby Laboratories.
- “BRAVIA” e BRAVIA sono marchi depositati di Sony Corporation.
- TrackID è un marchio commerciale o un marchio depositato della Sony Mobile Communications AB.
- Gracenote, Gracenote eyeQ, Gracenote VideoID, Gracenote Video Explore, Gracenote MusicID, il logo e il logo tipo Gracenote, nonché il logo “Powered by Gracenote” sono marchi di fabbrica o marchi di fabbrica registrati di Gracenote negli Stati Uniti e/o in altri paesi.
- Opera® Devices SDK from Opera Software ASA. Copyright 1995-2014 Opera Software ASA. All rights reserved.
- Wi-Fi, Wi-Fi Direct e Miracast sono marchi o marchi registrati di Wi-Fi Alliance.
- “Il logo Sony Entertainment Network” e “Sony Entertainment Network” sono marchi di Sony Corporation.
- MHL, Mobile High-Definition Link e il logo MHL sono marchi di fabbrica o marchi di fabbrica registrati di MHL Licensing, LLC.
- Per i brevetti DTS, consultare il sito <http://patents.dts.com>. Prodotto su licenza di DTS Licensing Limited. DTS, il simbolo, & DTS e il simbolo insieme sono marchi di fabbrica registrati e DTS Digital Surround è un marchio di fabbrica di DTS, Inc. © DTS, Inc. Tutti i diritti riservati.
- Designed with UEI Technology™ Under License from Universal Electronics Inc. Portions © UEI 2000 – 2013
- Il marchio con la parola Bluetooth® e i loghi sono di proprietà di Bluetooth SIG, Inc. e sono utilizzati da Sony Corporation con licenza. Tutti gli altri marchi di fabbrica o nomi commerciali sono di proprietà delle rispettive aziende.
- DiSEqC™ è un marchio depositato di EUTELSAT. Questo televisore supporta DiSEqC 1.0. Questo televisore non è progettato per il controllo di antenne motorizzate.

Diagrammi a blocchi



Innehållsförteckning

VIKTIGT MEDDELANDE	2
Säkerhetsinformation	3
Säkerhetsföreskrifter	5
Montera TV:n på väggen	7
Montera fästena på väggen	8
Förbereda monteringen av TV:n	11
Montera TV:n på väggen	12
Felsökning	14
Problem och lösningar	14
Specifikationer	15

Inledning

Tack för att du har valt denna produkt från Sony. Innan du använder TV:n bör du läsa igenom den här bruksanvisningen nogga och spara den för framtida bruk.

Anmärkning

- Innan du använder TV:n bör du läsa avsnittet "Säkerhetsinformation" (sidan 3).
- Bruksanvisningen till denna TV innehåller instruktioner för att "Montera TV:n på väggen".
- De bilder som används i snabbstartsguiden i denna handbok är bara referenser och kan skilja sig från utseendet på den faktiska produkten.

Identifieringsetikettens placering

Etiketter med TV-apparatens modellnummer, tillverkningsdatum (månad/år) och strömförsörjningsbehov finns på TV:ns baksida eller på emballaget.

Etiketter för nätadapter med modellnr. och serienr. finns på nätadapterns undersida.

VARNING!

**FÖR ATT FÖRHINDRA
ATT BRAND SPRIDS
SKA LEVANDE LJUS ELLER
ÖPPNA LÅGOR ALLTID
HÅLLAS PÅ AVSTÅND FRÅN
PRODUKTEN.**



VIKTIGT MEDDELANDE

Denna produkt har tillverkats av eller på uppdrag av Sony Corporation, 1-7-1 Konan Minato-ku Tokyo, 108-0075 Japan. Frågor som rör produkternas överensstämmelse, grundar sig på Europeiska unionens lagstiftning skall ställas till den auktoriserade representanten, Sony Deutschland GmbH, Hedelfinger Strasse 61, 70327 Stuttgart, Tyskland. För service och garantiärenden, vänligen se de adresser som finns i de separata service och garantihandlingarna.

Anmärkning beträffande trådlös signal



Härmed intygar Sony Corporation att denna enhet står i överensstämmelse med de väsentliga egenskapskrav och övriga relevanta bestämmelser som framgår av direktiv 1999/5/EG.

För ytterligare information gå in på följande hemsida:
<http://www.compliance.sony.de/>

Meddelande till kunder: följande information gäller endast för utrustning som sålts i länder där EU-direktiv gäller.

Trådlösa TV-system kan användas i följande länder:

AT, BE, HR, CY, CZ, DK, EE, FI, FR, DE, GR, HU, IE, IT, LV, LT, LU, MT, NL, PL, PT, SK, SI, ES, SE, GB, IS, LI, NO, CH, BG, RO, TR, AL, BA, MK, MD, RS, ME

Denna utrustning kan användas i andra icke-europeiska länder.

Säkerhetsinformation

VARNING

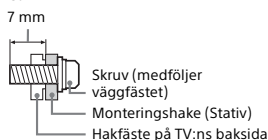
Batterier får inte utsättas för hög temperatur, exempelvis från solljus, eld och liknande.

Installation

Installera och använd TV:n enligt följande anvisningar för att undvika brandrisk, elektriska stötar eller skador på person eller egendom.

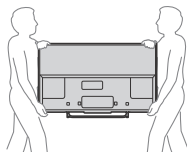
Installation

- TV:n bör placeras nära ett lätt åtkomligt eluttag.
- Placera TV-apparaten på en stabil, plan yta för att undvika att den faller ner och orsakar personskada eller skada på TV:n.
- Endast en behörig servicetekniker får utföra vägginstallationer.
- Av säkerhetsskäl rekommenderar vi bestämt att du endast använder tillbehör från Sony, inklusive:
 - Väggfäste
- Använd de skruvar som medföljer väggfästet när monteringskrokarna (stativ) fästs i TV-apparaten. De medföljande skruvarna är utformade som på bilden när de mäts från monteringskrokens (stativ) infästningsyta. Skruvarnas diameter och längd varierar beroende på väggfästets modell. Användning av andra skruvar kan skada TV:n internt eller medföra att den faller ned.



Transport

- Lossa alla kablar från TV:n innan du transporterar den.
- Det krävs två eller tre personer för att bära en stor TV-apparat.
- När TV:n ska transporteras bör den hållas enligt nedan. Tryck inte på LCD-panelen eller ramen runt bildskärmen.



- Se till att TV:n inte utsätts för stötar eller kraftiga vibrationer när den transporteras.
- Du bör använda originalkartongen och dess emballage när du sänder in TV:n för reparation eller om du flyttar.

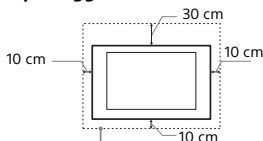
Förhindra fall

- Lägg skärmen med framsidan nedåt på en stabil arbetsyta som är större än bildskärmen innan maskinskraven fästs.
- För att undvika skador på LCD-skärmens yta ska du placera en mjuk duk på arbetsytan.

Ventilation

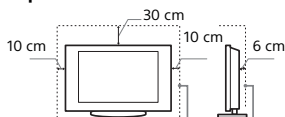
- Täck inte för och stoppa inte in några föremål i TV:ns ventilationshål.
- Lämna fritt utrymme runt TV:n enligt nedanstående figur.
- Vi rekommenderar bestämt att du använder Sonys väggfäste för att säkerställa tillräcklig luftcirkulation.

Monterad på väggen



Lämna minst så här mycket fritt utrymme runt TV:n.

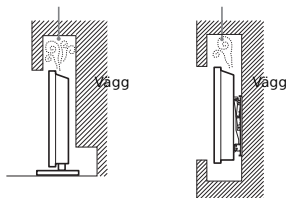
Monterad på stativ



Lämna minst så här mycket fritt utrymme runt TV:n.

- För att säkerställa korrekt ventilation och förhindra ansamling av damm eller smuts:
 - Lägg inte TV:n platt ned och installera den inte upp-och-ned, bakvärd eller värd sidledes.
 - Placera inte TV:n på en hylla eller matta, i en säng eller i en garderob.
 - Täck inte över TV:n med tyg såsom gardiner och lägg inte tändningar och liknande på den.
 - Installera inte TV:n såsom figurerna nedan visar.

Luften kan inte cirkulera fritt.



Nätkabel

Hantera nätkabeln och eluttaget enligt följande anvisningar för att undvika brandrisk, elektriska stötar eller skador på person eller egendom:

- Använd endast nätkablar från Sony och inga andra märken.
- För in stickkontakten hela vägen i eluttaget.
- Anslut TV:n till ett eluttag som levererar 220-240 volt AC.
- För din egen säkerhet, lossa nätkabeln från eluttaget före ledningsdragning och se till att du inte snavar på kablarna.
- Lossa nätkabeln från eluttaget innan du flyttar TV:n eller utför något arbete på den.
- Håll nätkabeln på avstånd från värmekällor.
- Lossa stickkontakten från eluttaget och rengör den regelbundet. Om kontakten täcks med damm och tar upp fukt kan isoleringen försämrats, vilket kan orsaka brand.

Anmärkning

- Använd inte medföljande nätkabel tillsammans med annan utrustning.
- Kläm, böj eller vrid inte nätkabeln för mycket. Ledarna inne i kabeln kan exponeras eller gå av.
- Modifiera inte nätkabeln.
- Ställ inga tunga föremål på nätkabeln.
- Dra inte i själva kabeln när du lossar nätkabeln från eluttaget - ta tag i stickkontakten.
- Anslut inte alltför många apparater till ett och samma eluttag.
- Använd inte eluttag som inte passar till stickkontakten.

NOTERING OM NÄTADAPTER

Varning!

Utsätt inte den här apparaten för regn eller fukt för att undvika risk för brand eller elstötar.

Att placera kärl med vätska, t.ex. blomvaser, på enheten medför risk för elektriska stötar och fara för brand. Placera inte denna utrustning i ett trångt utrymme, som till exempel i en bokhylla eller liknande.

- Se till så att nätkontakten ansluts till ett lättåtkomligt eluttag i närheten av utrustningen.
- Använd medföljande nätadapter och nätkabel.
- Använd inte någon annan nätadapter. Det kan orsaka funktionsstörningar.
- Anslut nätadaptern till ett lättåtkomligt eluttag.
- Vira inte nätkabeln runt nätadaptern. Det kan hända att kabeln går sönder och/eller orsakar funktionsfel på mediadottagaren.



- Vidrör inte nätadaptern med våta händer.
- Om nätadaptern inte verkar fungera korrekt bör du omedelbart dra ut den från eluttaget.
- Systemet är inte bortkopplat från elnätet så länge kontakten sitter i ett vägguttag, även om du stängt av själva systemet.
- Det kan hända att din hand blir varm när du rör vid nätadaptern eftersom den blir varm när den används under en längre tid.

Förbjuden användning

Installera inte och använd inte TV:n på platser eller i miljöer/situationer som beskrivs nedan. Annars kan felfunktioner uppstå i TV:n som kan orsaka brandtillbud, elektriska stötar eller skador på person eller egendom.

Platser:

- Utomhus (i direkt solsen), på stranden, i en båt eller någon annan typ av fartyg, i ett fordon, på sjukvårdsinrättningar, på ostadiga platser, nära vatten, regn, fukt eller rök.
- Om TV:n placeras i ett omklädesrum för ett allmänt bad eller varma källor kan TV:n skadas av luftburen svavel etc.



- Utsätt inte skärmen för direktbelysning eller solljus för att du ska erhålla den bästa bildkvaliteten.
- Undvik att flytta TV:n från en kall till en varm plats. Plötsliga förändringar i rumstemperaturen kan orsaka kondensbildning. Detta kan göra att TV:n visar en dålig bildkvalitet och/eller dålig färg. Om detta sker måste fukten avdunsta helt innan TV:n startas.

Miljöer:

- Platser som är mycket varma, fuktiga eller dammiga, där insekter kan sig in i TV:n, där TV:n kan utsättas för mekaniska vibrationer eller i närheten av brinnande föremål (t.ex. levande ljus). TV-apparaten får inte utsättas för dropp eller stänk och vätskebehållare såsom vaser får inte ställas på den.

- Placera inte TV:n i ett fuktigt eller dammig utrymme, eller i ett rum med oljig rök eller ånga (nära köksbänkar eller luftfuktare). Det kan orsaka elektriska stötar eller att TV:n blir skev.



- Installera inte TV:n på platser som utsätts för extrema temperaturer som direkt solljus, nära en värm radiator eller en värmeventil. TV:n kan överhettas i ett sådant förhållande vilket kan orsaka deformation av höljet och/eller fel på TV:n.



Situationer:

- Använd inte TV:n med våta händer, när TV:ns hölje är demonterat eller med tillbehör som inte rekommenderas av tillverkaren. Koppla loss TV:n från eluttaget och antennen när det åskar.
- Installera INTE TV:n så att den sticker ut i ett öppet utrymme. Det kan leda till materiella skador eller personskador om en person eller något föremål stöter in i TV:n.



Trasiga delar:

- Kasta aldrig något mot TV:n. Skärmglasset kan gå sönder och orsaka allvarliga personskador.
- Om TV:ns hölje spricker, koppla loss TV:n från eluttaget innan du tar i den. Annars föreligger risk för elektriska stötar.

När TV:n inte används

- Om du inte tänker använda TV:n på flera dagar bör du koppla loss TV:n från eluttaget av miljö- och säkerhetsskäl.
- Eftersom TV-apparaten inte kopplas bort från nätspänningen när du endast stänger av den måste du även lossa stickkontakten från eluttaget för att helt koppla bort TV:n.
- Vissa TV-apparater kan dock ha funktioner som kräver att TV:n står kvar i standby-läge för att den skall fungera korrekt.

Barnens säkerhet

- Se till att barn inte klättrar på TV:n.
- Håll små tillbehör utom räckhåll för barn så att de inte råkar sväljas av misstag.

Om följande problem uppstår...

Stäng av TV:n och lossa omedelbart stickkontakten från eluttaget om något av följande problem uppstår.

Kontakta din återförsäljare eller ett Sony servicecenter för att få TV:n undersökt av en behörig servicetekniker.

Om:

- Nätkabeln skadas.
- Eluttaget inte passar till stickkontakten.
- TV-apparaten skadas genom att den tappas, utsätts för hårda stötar eller genom att föremål kastas på den.
- Vätska eller något föremål råkar hamna i höljets öppningar.

Om LCD-skärmens temperatur

När LCD-skärmen används under en längre tid kan området runt panelen bli varmt. Du kan känna denna värme om du tar på panelen med handen.

Varning!

Utrustning som är kopplad till skyddsjord via jordat vägguttag och/eller via annan utrustning och samtidigt är kopplad till kabel-TV nät kan i vissa fall medföra brandfara.

För att undvika detta skall vid anslutning av utrustningen till kabel-TV nät galvanisk isolator finnas mellan utrustningen och kabel-TV nätet.

VÄGGFÄSTE

Informationen nedan visar korrekt hantering av väggfästet. Läs noggrant igenom denna information och använd väggfästet enligt anvisningarna.

Till kunden:

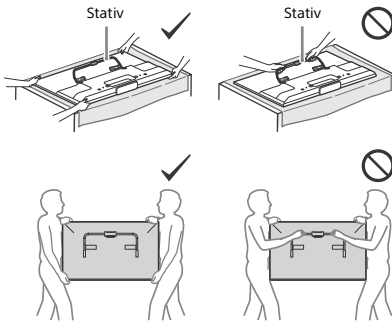
Observera följande försiktighetsåtgärder för att förhindra allvarlig skada på grund av brand, elektriska stötar, att produkten välter eller faller i golvet.

- Överlåt installationen till behöriga montörer och se till att små barn inte befinner sig i närheten när installationen utförs.
- Överlåt förflyttning eller nedmontering av TV:n till behöriga montörer.
- Ta inte ut några skruvar, etc., efter att TV:n har monterats.
- Modifiera inte väggfästets olika delar.
- Montera ingen annan utrustning än den specificerade produkten.
- Utsätt inte väggfästet för annan belastning än själva TV:n.
- Luta dig inte mot eller häng på TV:n.
- Hantera TV:n försiktigt när du rengör den eller utför underhåll.

Till Sony-återförsäljare och installatörer:

Följande instruktioner gäller bara för Sony-återförsäljare och installatörer. Läs noggrant igenom säkerhetsföreskrifterna nedan och släpp aldrig tanken på säkerheten, vare sig under installation, underhåll eller kontroll av den här produkten.

- Håll i TV:ns sidor när den ska hanteras eller monteras. Lyft inte TV:n i stativet.



- Installera inte väggfästet på en yta där TV:ns hörn eller sidor skjuter ut från väggen.

- Installera inte TV:n över eller under en luftkonditioneringsanläggning.
- Montera väggfästet ordentligt i väggen i enlighet med anvisningarna i denna bruksanvisning. Om någon av skruvarna är lösa eller lossar helt kan väggfästet falla ner och orsaka skada på person eller egendom.
- Se till att de medföljande skruvarna och infästningsbeslagen används i enlighet med anvisningarna i denna bruksanvisning. Om du byter beslagsdetaljer kan TV:n ramla ner och skadas eller orsaka personskada.

- Se till att konsolen monteras rätt i enlighet med det anvisade förfarandet i denna bruksanvisning.
- Fäst och dra åt skruvarna på den plats där de är avsedda att sitta.

- Utsätt inte TV:n för stötar vid installationen.
- Installera TV:n på en vägg som är både lodrät och slät.
- När TV:n installerats på rätt sätt fäster du kablarna ordentligt.
- Se till att inte strömkabeln eller de övriga kablarna bli klämda eftersom de inre ledarna kan bli exponerade och orsaka kortslutning eller elavbrott.



Säkerhetsföreskrifter

Se på TV

- Vissa människor kan uppleva obehag (t.ex. ansträngda ögon, trötthet eller illamående) när man tittar på 3D-videobilder eller spelar stereoskopiska 3D-spel. Sony rekommenderar att alla som tittar på 3D-videobilder eller spelar stereoskopiska 3D-spel tar regelbundna pauser medan de gör det. Längden eller frekvensen av nödvändiga pauser varierar från person till person. Du måste själv avgöra vad som fungerar bäst. Om du upplever något obehag, ska du sluta titta på 3D-videobilder eller spela stereoskopiska 3D-spel tills obehaget upphör och kontakta en läkare om du tycker att det är nödvändigt. Du bör även granska (i) bruksanvisningen för alla andra enheter eller media som används med TV-apparaten och gå till (ii) vår webbplats (<http://support.sony-europe.com/>) för den senaste informationen. Synen hos barn (speciellt under sex års ålder) utvecklas fortfarande. Kontakta en läkare (t.ex. en barn- eller ögonläkare) innan du låter barn titta på 3D-videobilder eller spela stereoskopiska 3D-spel. Vuxna ska övervaka barn och säkerställa att de följer rekommendationerna ovan.
- Använd, förvara eller lämna inte 3D-glåsgönet eller batteriet i närheten av öppen eld, på platser med hög temperatur, t.ex. i direkt solljus, eller i bilrar som står i solen.
- Vid användning av funktionen för simulerad 3D görs en bildomvandling av denna TV från 2D till 3D. Funktionen innebär att den visade bilden då har ändrats från originalbilden.
- Du bör titta på TV i ett rum med måttlig belysning. TV-tittande i dålig belysning eller under långa perioder påfrestar ögonen.
- När du använder hörlurar, ställ in ljudvolymen på en måttlig nivå så att du inte skadar din hörsel.

SE

LCD-skärm

- Trots att LCD-skärmen är tillverkad med högteknologisk precision och 99,99 procent eller mer av bildpunkterna är effektiva kan svarta punkter eller färgade punkter (röda, blå eller gröna) framträda konstant på LCD-skärmen. Detta är en strukturell egenskap hos LCD-skärmar och indikerar inte något fel.
- Tryck inte på och repa inte frontfiltret. Placera inte heller några föremål ovanpå denna TV-apparat. Bilden kan bli ojämn och LCD-skärmen kan skadas.
- Om TV:n används på en kall plats kan fläckar framträda i bilden eller bilden kan bli mörk. Detta indikerar inte någon defektfunktion. Fenomenet försvinner när temperaturen stiger till normal nivå.
- En spökbild kan uppstå om en stillbild ligger kvar på skärmen under en längre tid. Den försvinner troligtvis efter en stund.
- Bildskärmen och höljet blir varma när TV:n används. Detta är inget fel.
- LCD-skärmen innehåller en liten mängd flytande kristaller. Kasserar TV:n enligt lokala lagar och bestämmelser.

Hantering och rengöring av TV:ns bildskärm/hölje

Var noga med att lossa nätkabeln från eluttaget före rengöring. Observera följande försiktighetsåtgärder för att undvika degradering av material eller skärmens ytskikt.

- Använd en mjuk duk när du dammar av bildskärmen/höljet. Smuts som är svår att få bort kan du avlägsna genom att fukta duken med ett mildt, utspätt rengöringsmedel.
- Spreja aldrig vatten eller rengöringsmedel direkt på TV-apparaten. Det kan droppa ner på skärmens underkant eller dess yttre delar och komma in i TV-apparaten, vilket kan orsaka skador på TV-apparaten.
- Använd aldrig skurdugar med slipmedel, alkaliska eller sura rengöringsmedel, skurpulver eller skarpa lösningsmedel såsom alkohol, bensin, thinner eller insektspray. Om sådana material används, eller vid långvarig kontakt med gummi- eller vinylmaterial, kan skärmens ytskikt och höljet skadas.
- Vi rekommenderar att du regelbundet dammsuger ventilationsöppningarna för att säkerställa fullgod ventilation.
- När du justerar TV:ns vinkel, rör den försiktigt så att TV:n inte flyttar sig eller glider av stativet.

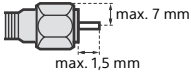


Extra utrustning

- Håll extra tillbehör och utrustning som avger elektromagnetisk strålning på avstånd från TV:n. Annars kan bildstörningar och/eller akustiskt brus uppstå.
- Denna utrustning har testats och befunnits följa gränsvärdena som anges i EMC-direktivet vid användning av en anslutningskabel som är kortare än 3 meter.

Rekommendation för kontakten av F-typ

Den inre tråden får inte skjutas ut mer 1,5 mm från anslutningsdelen.



(Referensritning för kontakten av F-typ)

Försiktighet vid hantering av fjärrkontrollen

- Var noga med att sätta i batterierna åt rätt håll (+ / -).
- Använd inte olika typer av batterier tillsammans och blanda inte gamla och nya batterier.
- Kassera batterier enligt gällande miljöbestämmelser. I vissa regioner kan särskilda bestämmelser gälla för kassering av batterier. Rådfråga de lokala myndigheterna.
- Hantera fjärrkontrollen med varsamhet. Se till att inte tappa eller trampa på den och spill inga vätskor på den.
- Placera inte fjärrkontrollen i närheten av värmekällor, i direkt solljus eller i ett fuktigt rum.

Trådlös funktion

- Använd inte denna enhet i närheten av medicinsk apparatur (pacemaker m.m.) eftersom dessa apparater då kan upphöra att fungera.
- Även om den här enheten sänder/tar emot kodade signaler, bör du vara försiktig med icke-auktoriserat uppspännande. Vi kan inte hållas ansvariga för problem som uppstår.

VÄGGFÄSTE

- Om du använder TV:n monterad på väggfästet under en längre tid, finns det risk att väggen bakom eller ovanför TV:n missfärgas eller att tapeten lossnar, beroende på väggmaterialet.
- Om du tar bort väggfästet från väggen efter installationen finns skruvhålen kvar i väggen.
- Använd inte väggfästet på en plats där det utsätts för mekaniska vibrationer.

Kassering av TV-apparaten



Omhändertagande av gamla elektriska och elektroniska produkter (Användbar i den Europeiska Unionen och andra Europeiska länder med separata insamlingssystem)

Symbolen på produkten eller emballaget anger att produkten inte får hanteras som

hushållsavfall. Den skall i stället lämnas in på uppsamlingsplats för återvinning av el- och elektronikkomponenter. Genom att säkerställa att produkten hanteras på rätt sätt bidrar du till att förebygga eventuella negativa miljö- och hälsoeffekter som kan uppstå om produkten kasseras som vanligt avfall. Återvinning av material hjälper till att bibehålla naturens resurser. För ytterligare upplysningar om återvinning bör du kontakta lokala myndigheter eller sophämtningstjänst eller affären där du köpte varan.



Avfallsinstruktion rörande förbrukade batterier (gäller i EU och andra europeiska länder med separata insamlingssystem)

Denna symbol på batteriet eller på förpackningen betyder att batteriet inte skall behandlas som vanligt hushållsavfall. På vissa batterier kan denna symbol användas i kombination med en kemisk symbol. Den kemiska symbolen för kvicksilver (Hg) eller bly (Pb) läggs till om batteriet innehåller mer än 0,0005% kvicksilver eller 0,004% bly. För att säkerställa för att dessa batterier blir kastade på ett riktigt sätt, kommer du att bidra till att skydda miljön och människors hälsa från potentiella negativa konsekvenser som annars kunnat blivit orsakat av felaktig avfallshandling. Återvinning av materialet vill bidra till att bevara naturens resurser. När det gäller produkter som av säkerhet, prestanda eller dataintegritetsskäl kräver permanent anslutning av ett inbyggt batteri, bör detta batteri bytas av en auktoriserad servicetekniker. För att försäkra att batteriet blir behandlat korrekt skall det levereras till återvinningsstation för elektriska produkter när det är förbrukat. För alla andra batterier, vänligen se avsnittet om hur man tar bort batteriet på ett säkert sätt. Lämna batteriet på en återvinningsstation för förbrukade batterier. För mer detaljerad information rörande korrekt avfallshandling av denna produkt eller batterier, vänligen kontakta ditt kommunkontor, din avfallsstation eller din återförsäljare där du köpt produkten.

Montera TV:n på väggen

Till kunder

Det krävs viss utbildning för att installera denna produkt. Anlita en Sony-återförsäljare eller licensierad entreprenör för installationen och var noga med säkerheten. Sony är inte ansvariga för eventuella material- eller personskador orsakade av felaktig eller olämplig installation, eller om en annan produkt än den specificerade installeras. Dina lagstadgade rättigheter (om du har några) påverkas inte.

Till Sonys återförsäljare och entreprenörer

Det krävs viss utbildning för att installera denna produkt. Läs denna bruksanvisning noga för att utföra installationen på ett säkert sätt. Sony är inte ansvariga för eventuella material- eller personskador orsakade av felaktig hantering eller olämplig installation.

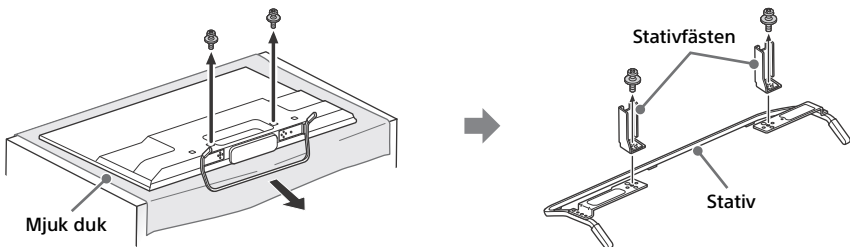
Din TV:s bordsstativ kommer att användas som en del av väggfäste.

Anmärkning

- Se sidan 3 (Säkerhetsinformation) och 5 (Säkerhetsföreskrifter) om VÄGGFÄSTE innan väggfäste monteras.
- Om bordsstativet sitter monterat på TV:n ska det först tas bort.
- Placera TV:n med skärmen vänd nedåt på en plan och stabil yta som täckts med en tjock och mjuk filt större än TV:n när bordsstativet monteras eller tas bort från TV:n, för att förhindra skador på LCD-skärmens yta.
- När stativets fästen tagits bort från stativet bör du förvara stativets fästen och skruvar på en säker plats.
- När du sätter tillbaka bordsstativ igen bör du se till att fästa skruvarna (som du tidigare avlägsnade) i deras ursprungliga hål på TV:ns baksida.
- Se till så att TV:n befinner sig i vertikalt läge innan den slås på. TV-apparaten får inte slås på med LCD-panelen riktad nedåt för att undvika en ojämn bilduniformitet.

SE

Demontera bordsstativ från TV:n

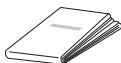


Montera fästena på väggen

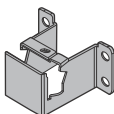
1 Ta fram de nödvändiga detaljerna.

Väggfästets tillbehör (medföljer)

A Pappersmall



- ##### B Väggbas
- KDL-50W82xB,
 - KDL-50W81xB,
 - KDL-50W80xB,
 - KDL-50W70xB (2)
 - KDL-42W82xB,
 - KDL-42W81xB,
 - KDL-42W80xB,
 - KDL-42/32W70xB (1)



- ##### C Stativskydd
- KDL-50W82xB,
 - KDL-50W81xB,
 - KDL-50W80xB,
 - KDL-50W70xB (2)
 - KDL-42W82xB,
 - KDL-42W81xB,
 - KDL-42W80xB,
 - KDL-42/32W70xB (1)



- ##### D Skruv (+PSW 6 x 12) (2)



E Distans (2)



- ##### F Konsolplatta
- KDL-50W82xB,
 - KDL-50W81xB,
 - KDL-50W80xB,
 - KDL-50W70xB (2)
 - KDL-42W82xB,
 - KDL-42W81xB,
 - KDL-42W80xB,
 - KDL-42/32W70xB (1)

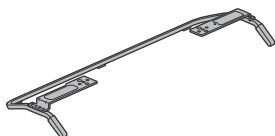


- ##### G Skruv (+PSW 4 x 10)
- KDL-50W82xB,
 - KDL-50W81xB,
 - KDL-50W80xB,
 - KDL-50W70xB (2)
 - KDL-42W82xB,
 - KDL-42W81xB,
 - KDL-42W80xB,
 - KDL-42/32W70xB (1)



Stativ (medföljer)

H



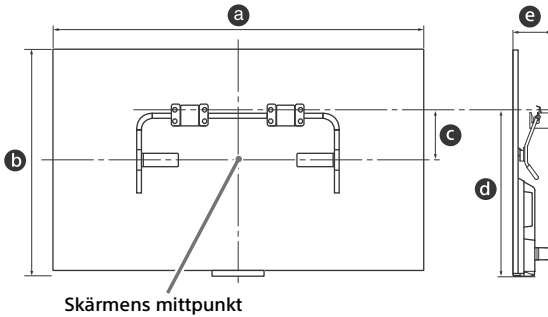
Skruvar för väggbas (8 mm i diameter, medföljer ej)

- KDL-50W82xB,
- KDL-50W81xB,
- KDL-50W80xB,
- KDL-50W70xB (8)
- KDL-42W82xB,
- KDL-42W81xB,
- KDL-42W80xB,
- KDL-42/32W70xB (4)

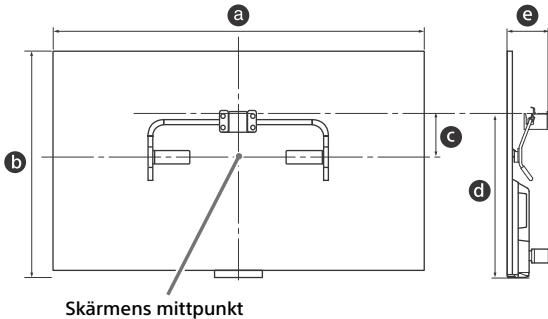
2 Se till att det finns tillräckligt med utrymme på väggen och att den håller för en vikt på minst fyra gånger TV:ns vikt.

Se följande tabell för montering av TV:n på väggen. Se sidan 15-18 (Specifikationer) för TV:ns vikt.

KDL-50W82xB, KDL-50W81xB, KDL-50W80xB, KDL-50W70xB



KDL-42W82xB, KDL-42W81xB, KDL-42W80xB, KDL-42/32W70xB



Enhet: cm

Modellnamn KDL-	Bildskärmsmått		Avstånd till skärmens mittpunkt	Monteringslängd	
	a	b		d	e
50W82xB/ 50W81xB/ 50W80xB/ 50W70xB	111,6	65,6	13,0	46,9	11,8
42W82xB/ 42W81xB/ 42W80xB/ 42W70xB	95,8	56,3	17,5	46,5	11,8
32W70xB	72,9	43,3	18,8	41,3	11,3

Anmärkning

- Värdena i tabellen kan variera något beroende på installationen.

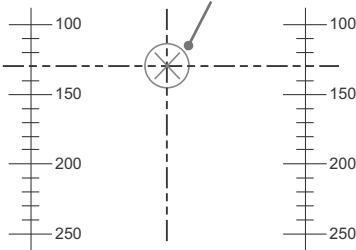
SE

3 Markera TV-skärmens centrum på pappersmall ①.

**KDL-50W82xB, KDL-50W81xB,
KDL-50W80xB, KDL-50W70xB**

Skala för pappersmall ①

Markering för KDL-50W82xB, KDL-50W81xB,
KDL-50W80xB, KDL-50W70xB

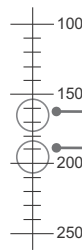


**KDL-42W82xB, KDL-42W81xB,
KDL-42W80xB, KDL-42/32W70xB**

Skala för pappersmall ①

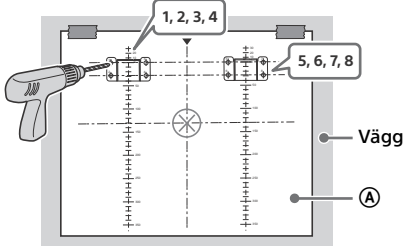
Markering för KDL-42W82xB,
KDL-42W81xB, KDL-42W80xB,
KDL-42W70xB

Markering för KDL-32W70xB

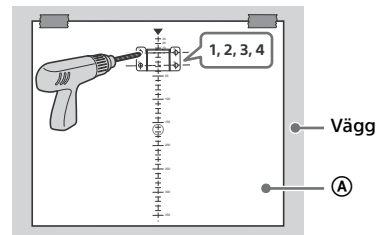


4 Tejpa fast pappersmall ① på väggen och borra hål med en elektrisk bormaskin enligt numreringen på pappersmall ①.

**KDL-50W82xB, KDL-50W81xB,
KDL-50W80xB, KDL-50W70xB**



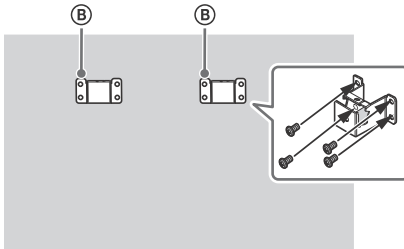
**KDL-42W82xB, KDL-42W81xB,
KDL-42W80xB, KDL-42/32W70xB**



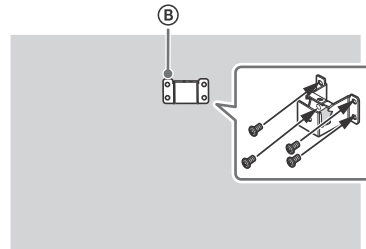
5 Ta bort pappersmall ① från väggen.

6 Fäst väggbasen ② korrekt på väggen med hjälp av skruvarna (8 mm i diameter, medföljer ej).

**KDL-50W82xB, KDL-50W81xB,
KDL-50W80xB, KDL-50W70xB**

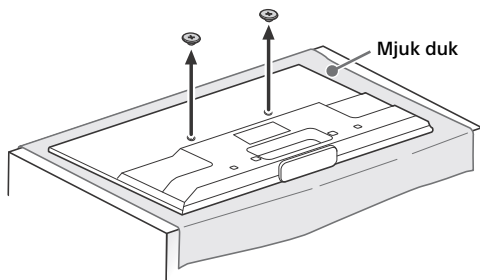


**KDL-42W82xB, KDL-42W81xB,
KDL-42W80xB, KDL-42/32W70xB**



Förbereda monteringen av TV:n

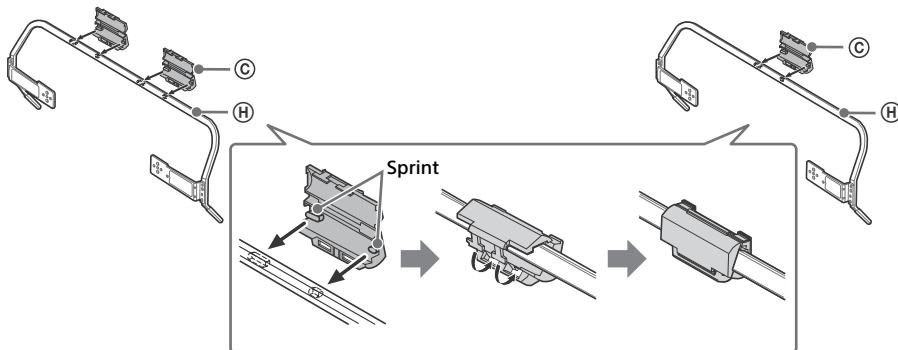
- 1 Skruva ur skruvarna på baksidan av TV:n. Var noga med att förvara de borttagna skruvarna på en säker plats där barn inte får tag i dem.



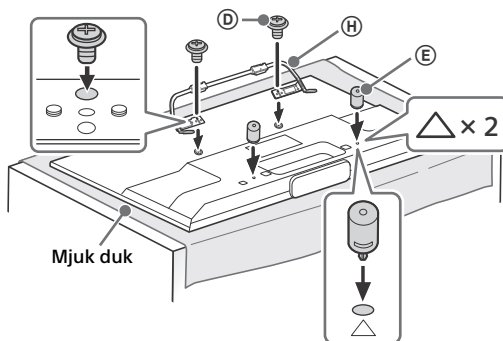
- 2 Sätt i stiftet (på stativskyddet ©) i hålet på stativet ⑨, vik sedan upp stativskyddet ©. Kontrollera att stativskyddet © sitter ordentligt fast på stativet ⑨.

KDL-50W82xB, KDL-50W81xB,
KDL-50W80xB, KDL-50W70xB

KDL-42W82xB, KDL-42W81xB,
KDL-42W80xB, KDL-42/32W70xB

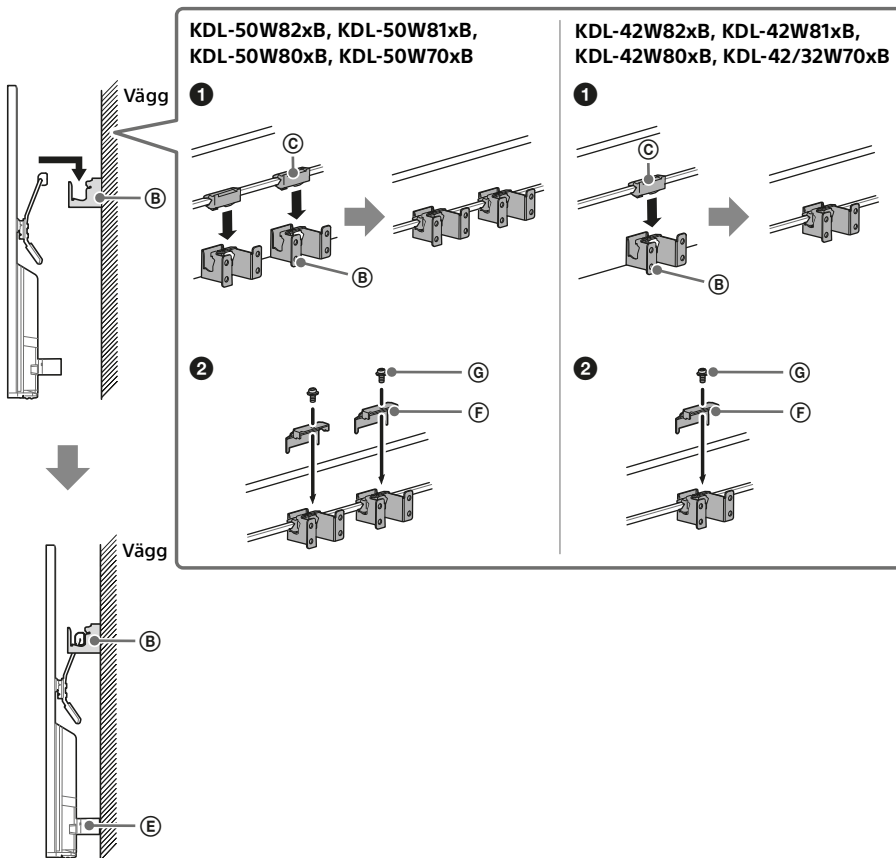


- 3 Fäst stativet ⑨ vid TV:n med hjälp av medföljande skruvar ⑩. Fäst distanserna ⑪ i hålen som anges med triangelmärkena △. KDL-50W82xB, KDL-50W81xB, KDL-50W80xB, KDL-50W70xB används i illustrationssyfte.



Montera TV:n på väggen

- 1 Se till att ansluta och samla ihop kablarna innan du monterar TV:n på väggen.
- 2 Montera TV:n på väggen. Se sedan till att stativskyddet © sitter ordentligt i väggbasen ② och att distanserna ③ sitter mot väggen. Fäst konsolplattan ④ med hjälp av medföljande skruvar ⑤.



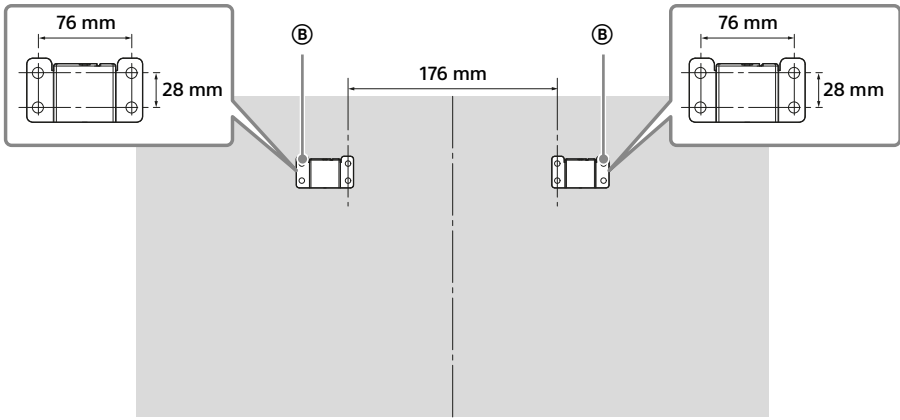
Mått för hållens placeringar på väggen

Ge montörerna följande information efter behov.

Använd skruvar (8 mm i diameter, medföljer ej) för att montera väggbasen **(B)** på väggen.

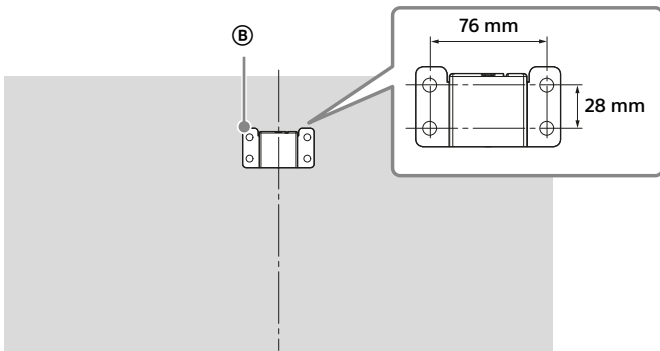
Se till att använda den medföljande pappersmallen **(A)** som visar väggbasens faktiska placering för enkel montering.

KDL-50W82xB, KDL-50W81xB, KDL-50W80xB, KDL-50W70xB



SE

KDL-42W82xB, KDL-42W81xB, KDL-42W80xB, KDL-42/32W70xB



På följande webbplats finns det instruktioner om hur du installerar väggfästet till din TV-modell:
www.sony.eu/tv/wall-mount-bracket-manual

Felsökning

När lysdioden blinkar, räkna hur många gånger den blinkar (intervallet är tre sekunder).

Om LED-belysning blinkar röd, återställer du TV:n genom att koppla från nätkabeln från din TV i två minuter, starta sedan TV:n.

Kontakta din återförsäljare eller Sonys servicecenter om problemet kvarstår och ange hur många gånger LED-belysning blinkar röd (intervallet är tre sekunder). Tryck på **I/⏻** på din TV för att stänga av den, koppla från nätkabeln och informera din återförsäljare eller Sonys servicecenter.

När lysdioden inte blinkar kontrollerar du de olika sakerna i tabellen nedan.

Du kan även referera till [Felsökning] i i-Manual eller genomföra självdiagnostik genom att välja **? [Hjälp] → [Kundsupport] → [Självdiagnostik]**. Om problemet kvarstår, kontakta en auktoriserad servicetekniker som kan serva din TV.

Problem och lösningar

Ingen bild (skärmen är mörk) och inget ljud.

- Kontrollera antenn/kabelanslutningen.
- Anslut TV:n till vägguttaget och tryck på **I/⏻** på TV:n eller fjärrkontrollen.

Vissa program kan inte ställas in.

- Kontrollera antenn/parabolantenn.
- Satellitkabeln kan vara kortsluten eller så kan det förekomma kontaktproblem med kabeln. Kontrollera kabeln och anslutningen och stäng därefter av TV:n med På / Av-omkopplaren för nätström och slå därefter på den igen.
- Frekvensen som du har angett är utanför området. Rådfråga det mottagande satellitsändningsföretaget.

Det finns ingen kabel-TV-tjänst (program).

- Kontrollera kabelanslutningen eller inställningen.
- Försök med [Digital auto.kanalinst.] genom att välja [Egen antenn] istället för [Kabel-TV].

Fjärrkontrollen fungerar inte.

- Byt ut batterierna.
- Din TV kan vara i SYNC-läge. Tryck på **SYNC MENU**, välj [TV-styrning] och välj sedan [Home (Meny)] eller [Alternativ] för att manövrera TV:n.

Lösenordet för [Barnlås] har glömts bort.

- Mata in PIN-koden 9999. (PIN-kod 9999 accepteras alltid.)

Det blir varmt runt TV:n.

- När TV:n används under en längre tidsperiod blir det varmt runt TV:n. Du kan känna denna värme om du tar på panelen med handen.

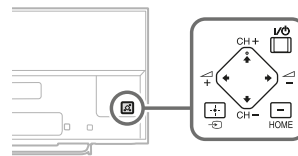
Fruset ljud eller frusen bild, en tom skärm eller om TV:n inte reagerar på TV:ns eller fjärrkontrollens knapptryckningar.

- Genomför en enkel återställning av TV:n genom att dra ur nätsladden i två minuter. Sätt sedan in den igen.

Det går inte att hitta knapparna **I/⏻**, **CH+/-**, **⏪ +/-**, **⏩ +/-**, **⏮**, **⏭** och **HOME** på TV:n.

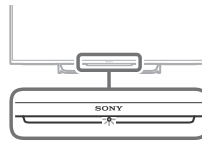
- Se bilden nedan för att hitta knapparna på TV:n.

TV:ns baksida



LED-belysning är på.

- Om du inte vill tända LED-belysning, kan du släcka den. Tryck på **HOME**, välj sedan **[Inställningar] → [Systeminställningar] → [Allmän inställning] → [LED-belysning] → [Av]**. Du kan också trycka på **OPTIONS**, sedan välja [LED-belysning] → [Av].



Går inte att ansluta till en trådlös router med WPS.

- Om du använder WEP-säkerhet, välj [Enkelt] → [Wi-Fi] → [Anslut via skanningslista]. Välj därefter det nätverksnamn (SSID) som du vill ansluta till.

Kan inte hitta det nätverksnamn som krävs för nätverksinställning.

- Välj [[Manuell inmatning]] och tryck på **⊕** för att ange nätverksnamn.

Specifikationer

System

Skärmsystem

- LCD-skärm (bildskärm med flytande kristaller), LED-bakgrundsbelysning

TV-system

- Analogt: Beroende på val av land/område: B/G, D/K, L, I, M
- Digitalt: DVB-T/DVB-C
DVB-T2
- Satellit: DVB-S/DVB-S2

Färg/videosystem

- Analogt: PAL, SECAM, NTSC3.58, NTSC4.43
- Digitalt: Se i-Manual.

Kanaltäckning

- Analogt: UHF/VHF/kabel, beroende på ditt val av land/område.
- Digitalt: UHF/VHF/kabel, beroende på ditt val av land/område.
- Satellit: IF-frekvens 950-2150 MHz

Ljudutgång

- 8 W + 8 W (förutom KDL-32W70xB)
- 5 W + 5 W (endast KDL-32W70xB)

Trådlös teknik

- Protokoll IEEE802.11a/b/g/n

Uttag för ingångar/utgångar

Antennkabel

- 75 ohms extern anslutning för VHF/UHF

Satellitantenn

- Honkontakt av F-Typ IEC169-24, 75 ohm.
- DiSEqC 1.0, LNB 13 V/18 V & 22 kHz-ton, Distr. via enkel kabel-TV EN50494.

AV1

- 21-polig scart-kontakt (CENELEC standard) inkl. ljud/videoingång, RGB-ingång och TV-ljud/videoutgång.

COMPONENT IN

- YPbPr (komponentvideo): 1080p (50, 60 Hz), 1080i (50, 60 Hz), 720p (50, 60 Hz), 576p, 576i, 480p, 480i
- Ljudingång (phonokontakter)

AV2

- Videoingång (vanlig phonokontakt med Y-ingång)

HDMI IN 1, 2, 3, 4 (förutom KDL-50/42/32W70xB)

- Video (2D): 1080p (30, 50, 60 Hz), 1080/24p, 1080i (50, 60 Hz), 720p (30, 50, 60 Hz), 720/24p, 576p, 576i, 480p, 480i, PC-format

Video (3D):

- Frame Packing: 1080p (30 Hz), 1080/24p, 1080i (50, 60 Hz), 720p (30, 50, 60 Hz), 720/24p
- Sida-vid-sida: 1080p (50, 60 Hz), 1080/24p, 1080i (50, 60 Hz), 720p (50, 60 Hz)
- Över-under: 1080p (30, 50, 60 Hz), 1080/24p, 1080i (50, 60 Hz), 720p (50, 60 Hz)
- Ljud: 5,1-kanals linjär-PCM: 32, 44,1 och 48 kHz, 16, 20 och 24 bitar, Dolby Digital
- ARC (Audio Return Channel) (endast HDMI IN 2)

HDMI IN 1, 2, 3, 4 (endast KDL-50/42/32W70xB)

- Video: 1080p (30, 50, 60 Hz), 1080/24p, 1080i (50, 60 Hz), 720p (30, 50, 60 Hz), 720/24p, 576p, 576i, 480p, 480i, PC-format
- Ljud: 5,1-kanals linjär-PCM: 32, 44,1 och 48 kHz, 16, 20 och 24 bitar, Dolby Digital
- ARC (Audio Return Channel) (endast HDMI IN 2)

MHL (gemensam med HDMI IN 1)

(förutom KDL-50/42/32W70xB)

- Video (2D): 1080p (30 Hz), 1080/24p, 1080i (50, 60 Hz), 720p (30, 50, 60 Hz), 720/24p, 576p, 576i, 480p, 480i

Video (3D):

- Sida-vid-sida: 1080/24p, 1080i (50, 60 Hz), 720p (50, 60 Hz)
- Över-under: 1080p (30 Hz), 1080/24p, 1080i (50, 60 Hz), 720p (50, 60 Hz)
- Ljud: 5,1-kanals linjär-PCM: 32, 44,1 och 48 kHz, 16, 20 och 24 bitar, Dolby Digital

MHL (gemensam med HDMI IN 1)

(endast KDL-50/42/32W70xB)

- Video: 1080p (30 Hz), 1080/24p, 1080i (50, 60 Hz), 720p (30, 50, 60 Hz), 720/24p, 576p, 576i, 480p, 480i
- Ljud: 5,1-kanals linjär-PCM: 32, 44,1 och 48 kHz, 16, 20 och 24 bitar, Dolby Digital


DIGITAL AUDIO OUT (OPTICAL)

- Digitalt optiskt kontakt (tvåkanalig linjär PCM, Dolby Digital)

AUDIO OUT/

- Ljudutgång (stereo mini jack)
- Hörlurskontakt (stödsbubbofer ut)

1 (HDD REC), 2

- USB HDD-enhetsport (endast  1), USB-port

- CAM-plats (CA-modul)

DC IN 19.5 V

- Adapteringång



10BASE-T/100BASE-TX-kontakt (Beroende på nätverkets funktionsmiljö, kan anslutningshastigheten avvika. Kommunikations-hastighet och -kvalitet för 10BASE-T/100BASE-TX garanteras inte för denna TV.)

Övrigt

Medföljande tillbehör

Pekplattfjärrkontroll: RMF-ED004
Kamera och mikrofonenhet: CMU-BR200/
CMU-BR100
Trådlös subwoofer: SWF-BR100
MHL-kabel: DLC-MB10/DLC-MB20/DLC-MC10/
DLC-MC20
Aktiva 3D-glasögon: TDG-BT500A (endast
KDL-50W82xB, KDL-50W81xB, KDL-50W80xB)



Passiva 3D-glasögon: TDG-500P (endast
KDL-42W82xB, KDL-42W81xB, KDL-42W80xB)



Driftstemperatur

0 °C – 40 °C

Driftsluftfuktighet

10 % – 80 % relativ luftfuktighet (icke-kondenserande)

Strömförsörjning och övrigt

Strömförsörjning

19,5 V likström (DC) med nätadapter
Gradering: Inmatning 220 V - 240 V växelström
(AC), 50 Hz

Energieffektivitetsklass

KDL-50W82xB, KDL-50W81xB, KDL-50W80xB,
KDL-50W70xB: A++
KDL-42W82xB, KDL-42W81xB, KDL-42W80xB,
KDL-42W70xB: A+
KDL-32W70xB: A

Skärmstorlek (diagonalt uppmätt) (Cirka)

KDL-50W82xB, KDL-50W81xB, KDL-50W80xB,
KDL-50W70xB: 50 tum / 125,7 cm
KDL-42W82xB, KDL-42W81xB, KDL-42W80xB,
KDL-42W70xB: 42 tum / 106,7 cm
KDL-32W70xB: 32 tum / 80,1 cm

Strömförbrukning

i [Standard]-läge

KDL-50W82xB, KDL-50W81xB, KDL-50W80xB,
KDL-50W70xB: 51 W
KDL-42W82xB, KDL-42W81xB, KDL-42W80xB,
KDL-42W70xB: 50 W
KDL-32W70xB: 39 W

i [Dagsljus]-läge

KDL-50W82xB, KDL-50W81xB, KDL-50W80xB,
KDL-50W70xB: 100 W
KDL-42W82xB, KDL-42W81xB, KDL-42W80xB,
KDL-42W70xB: 99 W
KDL-32W70xB: 80 W

Medelårsförbrukning*1

KDL-50W82xB, KDL-50W81xB, KDL-50W80xB,
KDL-50W70xB: 71 kWh
KDL-42W82xB, KDL-42W81xB, KDL-42W80xB,
KDL-42W70xB: 69 kWh
KDL-32W70xB: 54 kWh

Effektförbrukning i viloläge*2 (standby)

0,5 W (10 W i programuppdateringsläge/
EPG-uppdateringsläge)

Bildupplösning

1 920 punkter (horisontell) × 1 080 linjer (vertikal)

Dimension (Cirka) (b × h × d)

med bordsstativ

KDL-50W82xB, KDL-50W81xB, KDL-50W80xB,
KDL-50W70xB: 111,6 × 69,3 × 17,9 cm
KDL-42W82xB, KDL-42W81xB, KDL-42W80xB,
KDL-42W70xB: 95,8 × 60,0 × 17,0 cm
KDL-32W70xB: 72,9 × 46,5 × 14,1 cm

utan bordsstativ

KDL-50W82xB, KDL-50W81xB, KDL-50W80xB,
KDL-50W70xB: 111,6 × 65,6 × 6,4 cm
KDL-42W82xB, KDL-42W81xB, KDL-42W80xB,
KDL-42W70xB: 95,8 × 56,3 × 6,4 cm
KDL-32W70xB: 72,9 × 43,3 × 6,4 cm

Vikt (Cirka)

med bordsstativ

KDL-50W82xB, KDL-50W81xB, KDL-50W80xB,
KDL-50W70xB: 14,8 kg
KDL-42W82xB, KDL-42W81xB, KDL-42W80xB,
KDL-42W70xB: 11,7 kg
KDL-32W70xB: 7,9 kg

utan bordsstativ

KDL-50W82xB, KDL-50W81xB, KDL-50W80xB,
KDL-50W70xB: 13,6 kg
KDL-42W82xB, KDL-42W81xB, KDL-42W80xB,
KDL-42W70xB: 10,5 kg
KDL-32W70xB: 6,9 kg

- *1 Energiförbrukning per år, baseras på TV-apparatens strömförbrukning under 4 timmar per dag i 365 dagar. Den verkliga energiförbrukningen varierar beroende på hur TV-apparaten används.
- *2 Specifierad standby-effekt uppnås när TV:n har avslutat nödvändiga interna processer.

Anmärkning

- Det "x" som visas i modellnamnet motsvarar ett siffervärde som är relaterat till design, färg eller TV-system.
- Ta inte ut atrappkortet ur TV CAM-facket (CA-modul) om du inte sätter i ett smart-kort som sitter i CAM.
- Tillgången på alternativa tillbehör beror på land/region/TV-modell/lager.
- Design och specifikationer kan ändras utan förvarning.
- Denna TV-apparat har MHL 2.

Anmärkningar om digital TV

- Funktioner avseende digital TV (DVB) fungerar endast i länder eller områden där DVB-T/DVB-T2 (MPEG-2 och H.264/MPEG-4 AVC) digitala marksignaler sänds eller där du har tillgång till en kompatibel DVB-C (MPEG-2 och H.264/MPEG-4 AVC) kabeltjänst. Hör med din återförsäljare om du kan ta emot en DVB-T/DVB-T2-signal där du bor eller fråga din kabelleverantör om deras DVB-C-tjänst är lämplig för integrerad användning med denna TV-apparat.
- Din kabelleverantör kanske tar ut en avgift för sina tjänster och du kanske måste godkänna leverantörens villkor för den aktuella tjänsten.
- Denna TV följer gällande specifikationer för DVB-T/DVB-T2 och DVB-C, men vi kan inte garantera kompatibilitet med framtida DVB-T/DVB-T2 digitala marksändningar och DVB-C digitala kabelsändningar.
- Vissa digitala TV-funktioner kanske inte är tillgängliga i vissa länder/områden och DVB-C-kabel kanske inte fungerar korrekt med vissa leverantörer.

Information om varumärken

- Orden HDMI och HDMI High-Definition Multimedia Interface, samt HDMI-logotypen är varumärken eller registrerade varumärken för HDMI Licensing LLC i USA och andra länder.
- DLNA®, DLNA-logotypen och DLNA CERTIFIED® är varumärken, servicemärken eller kontrollmärken som tillhör Digital Living Network Alliance.
- Tillverkad på licens från Dolby Laboratories. Dolby och den dubbla D-symbolen är varumärken som tillhör Dolby Laboratories.
- "BRAVIA" och BRAVIA är varumärken tillhörande Sony Corporation.
- TrackID är ett varumärke eller registrerat varumärke som tillhör Sony Mobile Communications AB.
- Gracenote, Gracenote eyeQ, Gracenote VideoID, Gracenote Video Explore, Gracenote MusicID, Gracenote-logotypen och "Powered by Gracenote"-logotypen är antingen registrerade varumärken eller varumärken som tillhör Gracenote i USA och/eller andra länder.
- Opera® Devices SDK från Opera Software ASA. Copyright 1995-2014 Opera Software ASA. All rights reserved.
- Wi-Fi, Wi-Fi Direct och Miracast är varumärken eller registrerade varumärken som tillhör Wi-Fi Alliance.
- "Sony Entertainment Network logotyp" och "Sony Entertainment Network" är varumärken som tillhör Sony Corporation.
- MHL, Mobile High-Definition Link och MHL-logotypen är varumärken eller registrerade varumärken som tillhör MHL Licensing, LLC.
- För DTS-patent se <http://patents.dts.com>. Tillverkad under licens från DTS Licensing Limited. DTS, symbolen & DTS och symbolen tillsammans är registrerade varumärken och DTS Digital Surround är ett varumärke som tillhör DTS, Inc. © DTS, Inc. Med ensamrätt.
- Designed with UEI Technology™ Under License from Universal Electronics Inc. Portions © UEI 2000 – 2013

- Bluetooth-ordmärket och -logotyperna® ägs av Bluetooth SIG, Inc. och all användning av sådana märken av Sony Corporation sker under licens. Övriga varumärken och varunamn tillhör deras respektive ägare.
- DiSEqC™ är ett varumärke som tillhör EUTELSAT. Denna TV stödjer DiSEqC 1.0. Denna TV bör inte användas för att manövrera motorstyrda antenner.

Indholdsfortegnelse

VIGTIG BESKED	2
Sikkerhedsoplysninger	3
Forholdsregler	5
Montering af TV'et på væggen	7
Installation af beslaget på væggen	8
Forberedelse af installation af TV'et	11
Installation af TV'et på væggen	12
Fejlfinding	14
Problemer og løsninger	14
Specifikationer	15

Indledning

Tak fordi du valgte dette Sony-produkt.
Før TV-apparatet betjenes, læses denne vejledning grundigt og beholdes til senere opslag.

Bemærk

- Før du betjener TV'et skal du læse "Sikkerhedsoplysninger" (side 3).
- Vejledningen om "Montering af TV'et på væggen" findes i brugervejledningen til tv'et.
- Billeder og illustrationer i Guiden Hurtig Start og denne vejledning er udelukkende til referencebrug og kan afvige fra det faktiske produkts udseende.

Placering af identifikationsmærket

Mærkatet for TV'ets modelnummer, produktionsdato (måned/år) og strømforsyning findes på bagsiden af TV'et eller emballagen. Mærkatet med oplysninger om strømadapterens modelnummer og serienummer findes i bunden af strømadapteren.

ADVARSEL

PRODUKTET SKAL
HOLDES VÆK FRA
TÆNDTE LYS ELLER ANDEN
FORM FOR ÅBEN ILD FOR AT
UNDGÅ BRAND.



VIGTIG BESKED

Dette produkt er fremstillet af eller på vegne af Sony Corporation, 1-7-1 Konan Minato-ku Tokyo, 108-0075 Japan. Forespørgsler relateret til produkt overensstemmelse i henhold til EU lovgivning skal adresseres til den autoriserede repræsentant, Sony Deutschland GmbH, Hedelfinger Strasse 61, 70327 Stuttgart, Tyskland. For service eller garanti henviser vi til de adresser, som fremgår af vedlagte service- eller garantidokumenter.

Oplysninger om trådløst signal



Undertegnede Sony Corporation erklærer herved, at denne enhed er i overensstemmelse med de væsentlige krav og øvrige relevante krav i direktiv 1999/5/EF. For yderligere information gå ind på følgende hjemmeside: <http://www.compliance.sony.de/>

Bemærkning til kunder: følgende informationer gælder kun for udstyr, som sælges i lande, hvor EUDirektiverne gælder.

Trådløst tv-system kan muligvis bruges i følgende lande:

AT, BE, HR, CY, CZ, DK, EE, FI, FR, DE, GR, HU, IE, IT, LV, LT, LU, MT, NL, PL, PT, SK, SI, ES, SE, GB, IS, LI, NO, CH, BG, RO, TR, AL, BA, MK, MD, RS, ME

Dette udstyr kan bruges i andre ikkeeuropæiske lande.

Sikkerhedsoplysninger

ADVARSEL

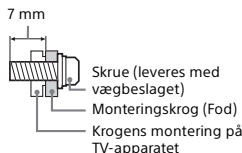
Batterier må ikke udsættes for ekstrem varme som f.eks. solskin, brand eller lignende.

Installation/Opsætning

Installer og brug tv'et i overensstemmelse med nedenstående vejledning for at undgå brand, elektrisk stød eller skader på personer og materiel.

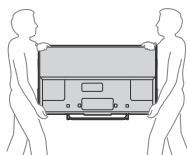
Installation

- Tv'et skal sættes op ved en let tilgængelig stikkontakt.
- Anbring TV'et på en stabil, flad overflade, så det ikke vælter og forårsager personskade eller skader på TV'et.
- Kun en autoriseret intallator må udføre væginstillinger.
- Af sikkerhedsmæssige grunde anbefales det at anvende Sonytilbehør, herunder:
 - Beslag til vægmontering
- Sørg for at bruge de skruer, der følger med Beslaget til vægmontering når du anbringer monteringskrogene (stativ) på TV'et. De medfølgende skruer er designet som vist på illustrationen, når der måles fra fastørelsesoverfladen på monteringskrogen (stativ). Skruernes diameter og længde afhænger af modellen på vægbeslaget.
- Hvis der anvendes andre skruer end de medfølgende, kan det medføre indvendige skader på TV-apparatet eller få det til at falde ned eller lignende.



Transport

- Før transport af tv'et tages alle kabler ud.
- Der skal mindst to eller tre personer til at bære et stort tv.
- Når TV'et flyttes med hånden, skal det holdes som vist nedenfor. Belast ikke LCD-skærmen og rammen omkring skærmen.



- Tv'et må ikke udsættes for fysiske stød eller kraftige vibrationer under transport.
- Tv'et skal pakkes ind i originalemballagen og sættes ned i originalkassen, når det skal til reparation eller blot flyttes.

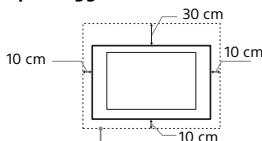
Vælteskiring

- Før skruen monteres, skal skærmen ligge nedad på en stabil overflade, som er større end tv'et.
- For at undgå beskadigelse af LCD-skærmen skal tv'et lægges på noget blødt stof.

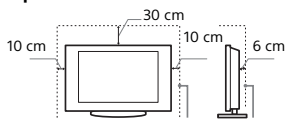
Ventilation

- Tildæk ikke ventilationshullerne og stik ikke noget ind i kabinettet.
- Der skal være plads omkring tv'et som vist nedenfor.
- Det anbefales stærkt at anvende et Sony vægbeslag for at sikre tilstrækkelig luftcirkulation.

Monteret på væggen

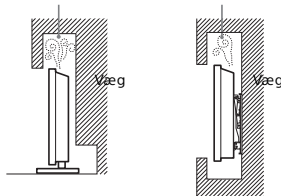


Monteret på stander



- For at sikre tilstrækkelig ventilation og forhindre ansamling af støv og snavs:
 - Læg ikke tv'et fladt ned og monter det ikke på hovedet, bagvendt eller sidevendt.
 - Tv'et må ikke installeres på en hyld, et tæppe, en seng eller i et skab.
 - Tv'et må ikke dækkes til med stof, f.eks. gardiner, eller andre ting, f.eks. aviser, osv.
 - Installer ikke TV'et som vist nedenfor.

Luftcirkulationen afspærres.



Netledning

- Brug netledningen og stikket som følger for at undgå brand, elektrisk stød eller skader på personer og materiel:
- Brug kun netledninger fra Sony, ikke fra andre leverandører.
 - Stikket skal sættes helt ind i kontakten.
 - Slut kun tv'et til en stikkontakt med 220-240 V AC.
 - Af sikkerhedshensyn skal du trække netledningen ud af stikket og være omhyggelig med ikke at vikle fødderne ind i kablerne.
 - Tag netledningen ud af stikkontakten, før du arbejder eller flytter på tv'et.
 - Hold netledningen væk fra varmekilder.
 - Tag netstikket ud og rengør det med jævne mellemrum. Hvis stikket er dækket med støv og tiltrækker fugt, forringes isoleringen, og der kan opstå brand.

Bemærk

- Du må ikke bruge den medfølgende netledning med andet udstyr.
- Undgå så vidt muligt at klemme, bøje eller sno netledningen. Ledningstrådene kan være afisolerede eller knækket.
- Du må ikke ændre på netledningen.
- Du må ikke placere tunge genstande på netledningen.
- Træk ikke i selve ledningen, når stikket skal tages ud af stikkontakten.
- Du må ikke slutte for mange apparater til samme stikkontakt.
- Du må ikke bruge stikkontakter, som stikket ikke passer i.

BEMÆRKNING OM LYSNETADAPTER

Advarsel

For at reducere risikoen for brand eller elektrisk stød må du ikke udsætte dette apparat for regn eller fugt. For at forhindre brand eller stød må du ikke stille genstande fyldt med væsker, som f.eks. vaser på apparatet. Du må ikke installere dette udstyr, hvor der er begrænset plads, som f.eks. på en boghylde.

- Sørg for at stikkontakten er placeret nær udstyret, og at den er let tilgængelig.
- Brug altid den medfølgende lysnetadapter og det medfølgende strømkabel.
- Brug aldrig nogen anden lysnetadapter. Det kan medføre fejlfunktion.
- Slut lysnetadapteren til en stikkontakt, der er nemt tilgængelig.
- Rul aldrig strømkablet rundt om lysnetadapteren. Ledningen i kablet kan blive skåret over eller det kan medføre fejl i mediemodtagerens funktion.



- Rør aldrig ved lysnetadapteren med våde hænder.
- Hvis du bemærker noget mærkeligt ved lysnetadapteren, skal du straks afbryde tilslutningen til stikkontakten.
- Enheden er ikke frakoblet lysnettet så længe den er sluttet til stikkontakten - heller ikke selv om der er slukket for strømmen på enheden.
- Da lysnetadapteren bliver varm, når den har været brugt gennem længere tid, kan den føles meget varm, hvis man berører den med hånden.

Forbudt brug

Tv'et må ikke placeres eller anvendes på steder eller i omgivelser eller situationer som de nedenfor beskrevne. Ellers kan tv'et fungere dårligt og forårsage brand, elektrisk stød og personskader.

Placering:

- Udsættelse (i direkte sollys), på stranden, på et skib eller et andet fartøj, i et køretøj, på hospitaler, ustabile placeringer, tæt på vand, fugt eller røg.
- Hvis tv'et placeres i opklædningsrummet i en offentlig badeanstalt eller spa, kan tv'et blive ødelagt af luftbåret svovl osv.



- Hvis du vil opnå den bedste billedkvalitet, må du ikke udsætte skærmen for direkte belysning eller sollys.
- Undgå at flytte tv'et fra et koldt sted til et varmt sted. Pludselige ændringer i rumtemperaturen kan medføre kondensering. Det kan betyde, at tv'et viser et dårligt billede og/eller dårlige farver. Hvis det sker, skal du sørge for, at fugten fordamper helt, før du tænder for tv'et.

Miljø:

- Steder, der er varme, fugtige eller meget støvede, hvor der kan komme insekter ind, hvor det kan blive udsat for mekaniske vibrationer, tæt på brændbare genstande (stearinlys ol.). TV-apparatet må ikke udsættes for dryp eller stænk, og der må ikke anbringes væskefyldte genstande som f.eks. vaser på TV-apparatet.
- Placer ikke tv'et et fugtigt eller støvet sted eller i et rum med olieholdig røg eller damp (i nærheden af bordkomfurer eller dampnøgler). Det kan medføre brand, elektrisk stød eller vridning.
- Du må ikke montere tv'et på steder, som udsættes for ekstreme temperaturer, f.eks. i direkte sollys, i nærheden af en radiator eller et varmeaftræk. I sådanne tilfælde kan tv'et blive overophedet, hvilket kan medføre, at kabinettet slår sig, og/eller at tv'et svigter.



Situation:

- Undlad brug med våde hænder, med kabinettet afmonteret eller med udstyr, der ikke anbefales af producenten. Tag tv'ets netledning ud af stikkontakten i tordenvejr.
- Monter ikke tv'et, så det rager frem i åbent rum. Det kan medføre skader eller ødelæggelse på grund af en person eller en ting, som rammer ind i tv'et.



Ituslæde dele:

- Du må ikke kaste genstande mod tv'et. Skærmglasset kan knuses af slaget og anrette alvorlig personskade.
- Hvis tv'ets overflade revner, må du ikke røre det, før du har trukket netledningen ud af stikkontakten. I modsat fald kan du få elektrisk stød.

Når tv'et ikke er i brug

- Hvis du ikke anvender tv'et i flere dage, skal det afbrydes fra lysnettet af miljø- og sikkerhedshensyn.
- Da tv'et ikke er helt afbrudt fra lysnettet, selvom det er slukket, skal stikket tages ud af stikkontakten for at afbryde tv'et fuldkomment.
- Visse tv'er kan have funktioner, hvor tv'et skal stå i standby for at fungere korrekt.

Børn

- Lad ikke børn klatre op på tv'et.
- Mindre tilbehør skal opbevares utilgængeligt for børn, så det ikke sluges ved en fejl.

Hvis følgende problemer opstår...

Sluk tv'et og træk straks netledningen ud af stikkontakten, hvis følgende problemer opstår.

Bed din forhandler eller Sony servicecenter om at få tv'et efterstet af autoriserede service teknikere.

Når:

- Netledningen er beskadiget.
- Stikket passer dårligt.
- Tv'et er beskadiget som følge af at være tabt eller slået, eller der er kastet genstande mod det.
- Væske eller genstande er trængt ind gennem kabinettets åbninger.

Om LCD-skærmens temperatur

Når LCD-skærmen bruges i lang tid, bliver panelets omgivelser varme. Det er meget varmt, når du berører enheden med hånden.

BESLAG TIL VÆGMONTERING

Nedenstående oplysninger viser korrekt håndtering af Beslag til vægmontering. Sørg for at læse disse oplysninger omhyggeligt og brug Beslaget til vægmontering korrekt.

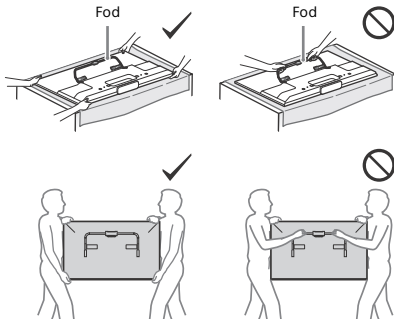
Til kunder:

- Sørg for at følge følgende sikkerhedsforanstaltninger for at forhindre alvorlig skade som følge af brand, elektrisk stød eller ved at produktet tipper over eller bliver tabt.
- Lad altid autoriseret personale udføre installationen og hold små børn væk imens.
- Sørg altid for at overlade flytning eller nedtagning af tv'et til autoriseret personale.
- Fjern ikke skruer osv. efter montering af tv'et.
- Udfør ikke nogen ændringer af delene på Beslaget til vægmontering.
- Monter ikke andet udstyr end det specificerede produkt.
- Påfør ikke Beslaget til vægmontering andre belastninger end tv'et.
- Du må ikke læne dig op ad eller hænge i tv'et.
- Udsat ikke tv'et for stærke belastninger ved rengøring og vedligeholdelse.

Til Sony-forhandlere og installatører:

Følgende instruktioner gælder kun for Sony-forhandlere og installatører. Sørg for at læse sikkerhedsforanstaltningerne nedenfor og læg særlig mærke til sikkerheden under installation, vedligeholdelse og kontrol af dette produkt.

- Ved håndtering og montering af TV'et skal du tage fat i det på siderne. Løft aldrig TV'et ved at holde i fodene.



- Installer ikke Beslaget til vægmontering på vægoverflader, hvor hjørnerne på siderne af tv'et stikker ud fra vægoverfladen.



- Installer ikke tv'et over eller under et klimaanlæg.
- Sørg for at montere beslaget til vægmontering sikkert på væggen ved at følge instruktionerne i denne betjeningsvejledning. Hvis nogle af skruerne er løse eller falder ud, kan beslaget til vægmontering falde ned og forårsage personskade eller materiel skade.
- Sørg for at bruge de medfølgende skruer og tilhørende dele korrekt, og følg instruktionerne i denne betjeningsvejledning. Hvis du bruger andre dele, kan TV'et falde ned og forårsage personskade eller skader på TV'et.
- Sørg for at samle beslaget korrekt ved at følge den procedure, der er forklaret i denne betjeningsvejledning.
- Sørg for at spænde skruerne grundigt i den anviste placering.
- Pas på ikke at udsætte tv'et for slag eller stød under installationen.
- Sørg for at installere tv'et på en væg, som er både lodret og plan.
- Efter korrekt installation af tv'et skal du sikre kablerne ordentligt.
- Netledningen eller tilslutningskablerne må ikke blive klemt, da lederne kan blive blotlagt og forårsage kortslutning eller strømafbrydelse.



Forholdsregler

Bemærk når du ser TV

- Nogle mennesker kan opleve ubehag (f.eks. belastning af øjnene, træthed eller utilpashed), når de ser 3D-videobilleder eller afspiller stereoskopiske 3D-spil. Sony anbefaler alle brugere at holde pause med jævne mellemrum, når de ser 3D-videobilleder eller afspiller stereoskopiske 3D-spil. Hvor længe og hvor ofte en person skal holde pause, varierer fra person til person. Du kan bedst selv finde ud af, hvad der fungerer bedst for dig. Hvis du oplever ubehag, skal du stoppe med at se 3D-videobilleder eller afspille stereoskopiske 3D-spil, indtil ubehaget er forsvundet; kontakt eventuelt en læge, hvis du mener, at der er brug for det. Du bør også se (i) betjeningsvejledningen for alle andre enheder eller medier, som bruges sammen med dette tv, og (ii) vores hjemmeside (<http://support.sony-europe.com/>) for de nyeste oplysninger. Små børns syn (især dem under seks år) udvikler sig stadig. Kontakt en læge (f.eks. en børnelæge eller øjenlæge), før du giver små børn lov til at se 3D-videobilleder eller afspille stereoskopiske 3D-spil. Voksne bør holde øje med små børn for at være sikker på, at de følger anbefalingerne anført ovenfor.
- Brug, opbevar eller efterlad ikke 3D-brillerne eller batteriet i nærheden af ild eller på steder med en høj temperatur, f.eks. i direkte sollys eller i en bil, der opvarmes af solen.
- Hvis du bruger funktionen simuleret 3D, skal du være opmærksom på, at det viste billede afviger fra originalen på grund af konverteringen, som tv'et laver.
- Der skal være moderat belysning, da det kan belaste dine øjne at se tv ved dårligt lys eller i længere tid.
- Når du bruger hovedtelefoner, skal du justere lyden, så den ikke er for høj, da det kan skade hørelsen.

DK

LCD-skærm

- Selvom LCD-skærmen er fremstillet med højpræcisionsteknologi og 99,99% eller flere effektive pixler, kan der forekomme sorte pletter eller lysende punkter (røde, blå eller grønne), der optræder konstant på LCD-skærmen. Det er en konstruktionsmæssig egenskab ved LCD-skærmen og ikke en fejl.
- Tryk ikke og skrab ikke frontfilteret, og placer ikke genstande oven på tv'et. Billedet kan blive uensartet, eller LCD-skærmen kan blive beskadiget.
- Hvis tv'et bruges et sted, hvor der er koldt, kan billedet virke utværet eller blive mørkt. Dette er ikke tegn på fejl. Fænomenerne forsvinder, efterhånden som temperaturen stiger.
- Der kan forekomme skygge billeder (ghosting), når der konstant vises stillbilleder. Det forsvinder efter et øjeblik.
- Skærmen og kabinettet kan blive varmt, når tv'et er i brug. Dette er ikke en fejl.
- LCD-skærmen indeholder en lille mængde flydende krystal. Følg de lokale regler og retningslinjer for bortskaffelse.

Behandling og rengøring af tv'ets skærmoverflade og kabinet

Sørg for at tage netledningen til tv'et ud af stikkontakten før rengøring.

Følg nedenstående forholdsregler for at undgå nedbrydning af materialer eller skærmbelægning.

- Tør støv forsigtigt af skærmen/kabinettet med en blød klud. Hvis støvet sidder fast, skal skærmen tørres forsigtigt af med en hårdt opvredet blød klud, der er fugtet let med vand og et mildt rengøringsmiddel.
- Sprøjt aldrig vand eller rengøringsmidler direkte på tv'et. Det kan dryppe til bunden af skærmen eller udvendige dele og komme ind i tv'et, hvilket kan medføre skader på tv'et.
- Du må ikke bruge skuresvampe, opløsningsmidler eller syreholdige rengøringsmidler, skurepulver eller flygtige opløsningsmidler som alkohol, rensebenzin, fortynder eller insektmiddel. Brug af sådanne midler eller længerevarende kontakt med gummi- eller vinylmaterialer kan beskadige skærmens overflade og kabinetmaterialet.



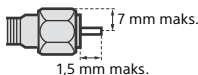
- Jævnlig støvsugning af ventilationshullerne tilrådes for at sikre tilstrækkelig ventilation.
- Når vinklen på tv'et skal justeres, skal du bevæge det langsomt for at undgå, at det flytter sig eller glider ned fra bordstanderen.

Ekstraudstyr

- Hold ekstraudstyr eller andet udstyr, der udsender elektromagnetisk stråling, på afstand af tv'et. Ellers kan billedforvrængning og/eller dårlig lyd forekomme.
- Dette udstyr er blevet testet og fundet at overholde grænserne i EMC-direktivet ved brug af et tilslutningssignalkabel, der ikke er længere end 3 m.

Anbefaling af F-type stik

Den indvendige tråd må ikke stikke mere ud fra tilslutningsdelen end 1,5 mm.



(Referencetegning af F-type stik)

BEMÆRK: Vedr. Håndtering af fjernbetjeningen

- Overhold den korrekte polaritet ved isætning af batterier.
- Brug ikke forskellige batterityper eller gamle og nye batterier samtidigt.
- Bortskaf batterier på en miljøvenlig måde. I visse områder kan der være regler for bortskaffelse af batterier. Rådspørg de lokale myndigheder.
- Behandl fjernbetjeningen med omhu. Tab den ikke, trød ikke på den, og spild ikke nogen form for væske på den.
- Læg ikke fjernbetjeningen på steder nær en varmekilde eller på steder i direkte sollys eller i fugtige lokaler.

Bortskaffelse af enheden

- Du må ikke betjene enheden i nærheden af medicinsk udstyr (pacemakere, osv.), da dette kan forårsage fejl i det medicinske udstyr.
- Selvom denne enhed sender/modtager scrambled signaler, vær opmærksom på uautoriseret aflytning. Vi hæfter ikke for følgerne heraf.

BESLAG TIL VÆGMONTERING

- Hvis du bruger TV'et installeret på Beslaget til vægmontering i lang tid, kan væggen bag TV'et falme og tapet kan gå løs, afhængigt af vægmaterialet.
- Hvis beslaget til vægmontering fjernes efter montering på væggen, bliver skruehullerne tilbage.
- Du må ikke bruge beslaget til vægmontering på steder, hvor det udsættes for mekaniske vibrationer.

Bortskaffelse af tv'et



Håndtering af udtjente elektriske og elektroniske produkter (Gælder for den Europæiske Union og andre europæiske lande med separate indsamlingssystemer)

Dette symbol på produktet eller emballagen angiver, at produktet ikke må behandles som husholdningsaffald. Det skal i stedet indleveres på en genbrugsplads specielt indrettet til

modtagelse og oparbejdning af elektriske og elektroniske produkter. Ved at sikre at produktet bortskaffes korrekt, forebygges de eventuelle negative miljø- og sundhedsskadelige påvirkninger, som en ukorrekt affaldshåndtering af produktet kan forårsage. Genindvinding af materialer vil medvirke til at bevare naturens ressourcer. Yderligere information om genindvindingen af dette produkt kan fås hos kommunen, det lokale renovationselskab eller butikken, hvor produktet blev købt.



Fjernelse af udtjente batterier (gælder for den Europæiske Union og andre europæiske lande med separate indsamlingssystemer)

Dette symbol på batteriet eller emballagen betyder, at batteriet leveret med dette produkt ikke må bortskaffes som husholdningsaffald. På visse batterier kan dette symbol anvendes i kombination med et kemisk symbol. Det kemiske symbol for kviksølv (Hg) eller bly (Pb) er anført hvis batteriet indeholder mere end 0,0005% kviksølv eller 0,004% bly. Ved at sikre at sådanne batterier bortskaffes korrekt, tilskrives det, at de mulige negative konsekvenser for sundhed og miljø, som kunne opstå ved en forkert affaldshåndtering af batteriet, forebygges. Materiale genindvindingen bidrager ligeledes til at beskytte naturens ressourcer. Hvis et produkt kræver vedvarende elektricitetsforsyning af hensyn til sikkerheden samt ydeevnen eller data integritet, må batteriet kun fjernes af dertil uddannet personale. For at sikre en korrekt håndtering af batteriet bør det udtjente produkt kun afleveres på dertil indrettede indsamlingspladser beregnet til affaldshåndtering af elektriske og elektroniske produkter. Med hensyn til øvrige batterier, se venligst afsnittet der omhandler sikker fjernelse af batterier. Batteriet skal derefter afleveres på et indsamlingsted beregnet til affaldshåndtering og genindvinding af batterier. Yderligere information om genindvinding af dette produkt eller batteri kan fås ved at kontakte den kommunale genbrugsstation eller den butik, hvor produktet blev købt.

Montering af TV'et på væggen

Til kunder

Installation af dette produkt kræver visse forudsætninger. Montering skal udføres af en Sony-forhandler eller autoriseret installatør under hensyntagen til sikkerheden. Sony er ikke ansvarlig for eventuelle materielle skader eller personskader, der skyldes forkert håndtering eller mangelfuld installation eller installation af et andet produkt end det, der er angivet. Dine eventuelle lovsikrede rettigheder påvirkes ikke.

Til Sony-forhandlere og installatører

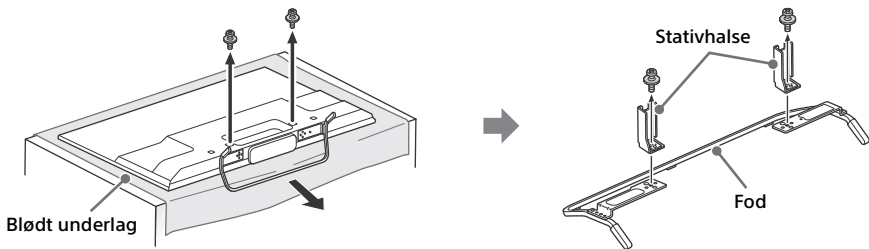
Installation af dette produkt kræver visse forudsætninger. Læs denne betjeningsvejledning grundigt igennem før at udføre monteringen på sikker vis. Sony kan ikke holdes ansvarlig for personskader eller materielle skader forårsaget af ukorrekt behandling eller montering.

Dit TV's TV-fod bliver anvendt som del af Beslaget til vægmontering.

Bemærk

- Se side 3 (Sikkerhedsoplysninger) og side 5 (Forholdsregler) på BESLAG TIL VÆGMONTERING før du monterer Beslaget til vægmontering.
- Hvis TV-foden er monteret på TV'et, skal du tage TV-foden af, inden du går videre.
- Anbring TV'et med skærmen nedad på en flad og stabil overflade, der er dækket med et tykt, blødt tæppe eller lignende og som er større end TV'et, når du sikrer foden eller fjerner TV-foden fra TV'et for at forhindre at beskadige LCD-skærmens overflade.
- Når stativhalsene er taget af foden, skal du sørge for at opbevare halsene og skruerne, så de ikke bliver væk.
- Når du igen sætter TV-foden på, skal du sørge for at skrue de skruer (du tidligere fjernede) i de oprindelige huller på bagsiden af TV'et.
- Sørg for, at TV'et befinder sig i vertikal position, før du tænder for det. Du må ikke tænde for TV'et, når LCD-skærmen vender nedad, så undgår du ujævnheder i billedet.

Sådan tages TV-foden af TV'et

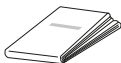


Installation af beslaget på væggen

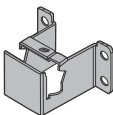
1 Forbered de dele, der skal bruges.

Tilbehør til beslaget til vægmontering (medfølger)

A Papirskabelon



- B Base for vægmonteringen
KDL-50W82xB,
KDL-50W81xB,
KDL-50W80xB,
KDL-50W70xB (2)
KDL-42W82xB,
KDL-42W81xB,
KDL-42W80xB,
KDL-42/32W70xB (1)



- C Stativbeskytter
KDL-50W82xB,
KDL-50W81xB,
KDL-50W80xB,
KDL-50W70xB (2)
KDL-42W82xB,
KDL-42W81xB,
KDL-42W80xB,
KDL-42/32W70xB (1)



- D Skruer
(+PSW 6 x 12) (2)



E Afstandsstykke (2)



- F Beslagets overplade
KDL-50W82xB,
KDL-50W81xB,
KDL-50W80xB,
KDL-50W70xB (2)
KDL-42W82xB,
KDL-42W81xB,
KDL-42W80xB,
KDL-42/32W70xB (1)

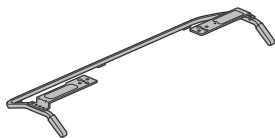


- G Skruer (+PSW 4 x 10)
KDL-50W82xB,
KDL-50W81xB,
KDL-50W80xB,
KDL-50W70xB (2)
KDL-42W82xB,
KDL-42W81xB,
KDL-42W80xB,
KDL-42/32W70xB (1)



Stativ (medfølger)

H



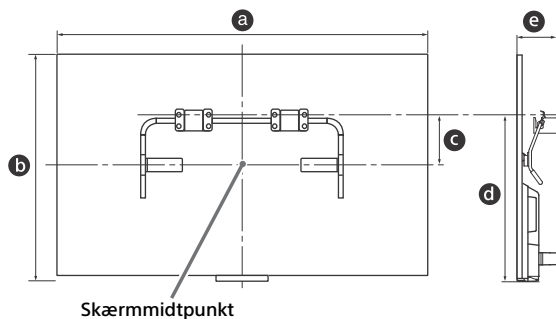
Skruer til basen for vægmontering (8 mm diameter, medfølger ikke)

- KDL-50W82xB,
KDL-50W81xB,
KDL-50W80xB,
KDL-50W70xB (8)
KDL-42W82xB,
KDL-42W81xB,
KDL-42W80xB,
KDL-42/32W70xB (4)

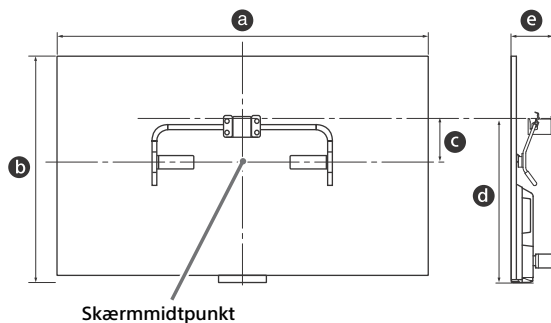
2 Kontrollér, at væggen er stor nok, og at den er solid nok til at holde en vægt, der er mindst fire gange TV'ets.

Se følgende tabel ved installation af TV'et på væggen. Se side 15-17 (Specifikationer) for TV'ets vægt.

KDL-50W82xB, KDL-50W81xB, KDL-50W80xB, KDL-50W70xB



KDL-42W82xB, KDL-42W81xB, KDL-42W80xB, KDL-42/32W70xB



DK

Enhed: cm

Modelnavn KDL-	Skærmens mål		Mål for skærmmidt punkt	Længde til montering	
	a	b	c	d	e
50W82xB/ 50W81xB/ 50W80xB/ 50W70xB	111,6	65,6	13,0	46,9	11,8
42W82xB/ 42W81xB/ 42W80xB/ 42W70xB	95,8	56,3	17,5	46,5	11,8
32W70xB	72,9	43,3	18,8	41,3	11,3

Bemærk

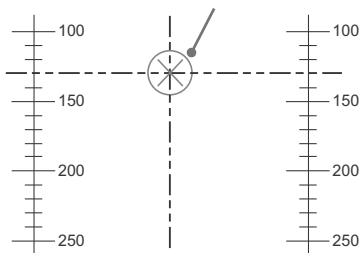
- Tallene i oversigten kan variere en smule afhængigt af monteringen.

3 Lav et mærke på papirkabelon ①, der angiver midten af skærmen på dit TV.

**KDL-50W82xB, KDL-50W81xB,
KDL-50W80xB, KDL-50W70xB**

Skala på papirkabelon ①

Mærke for KDL-50W82xB, KDL-50W81xB,
KDL-50W80xB, KDL-50W70xB

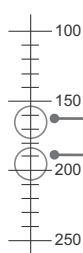


**KDL-42W82xB, KDL-42W81xB,
KDL-42W80xB, KDL-42/32W70xB**

Skala på papirkabelon ①

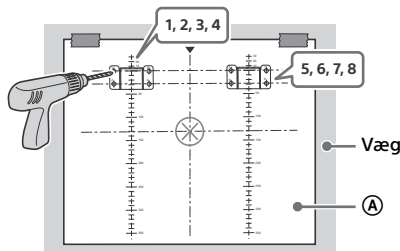
Mærke for KDL-42W82xB,
KDL-42W81xB, KDL-42W80xB,
KDL-42W70xB

Mærke for KDL-32W70xB

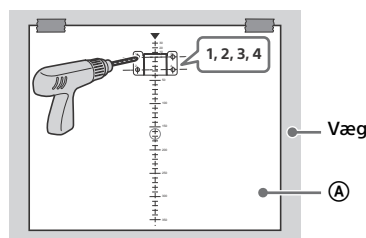


4 Sæt papirkabelon ① fast på væggen med tape og brug en elektrisk boremaskine til at lave huller som vist med numrene på papirkabelon ①.

**KDL-50W82xB, KDL-50W81xB,
KDL-50W80xB, KDL-50W70xB**



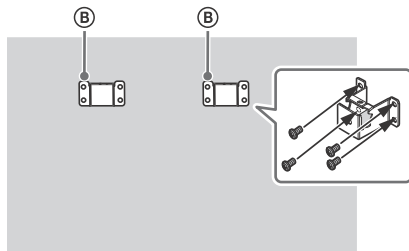
**KDL-42W82xB, KDL-42W81xB,
KDL-42W80xB, KDL-42/32W70xB**



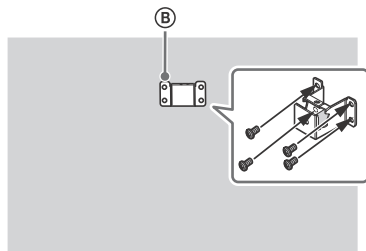
5 Pil papirkabelon ① af væggen.

6 Anbring basen til vægmontering ② korrekt på væggen ved hjælp af skruerne (8 mm diameter, medfølger ikke).

**KDL-50W82xB, KDL-50W81xB,
KDL-50W80xB, KDL-50W70xB**

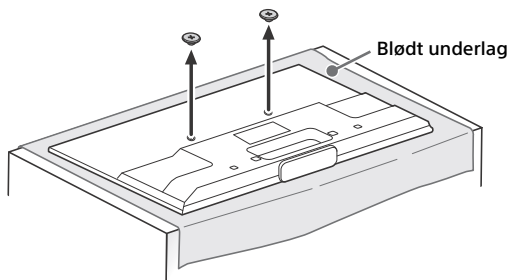


**KDL-42W82xB, KDL-42W81xB,
KDL-42W80xB, KDL-42/32W70xB**



Forberedelse af installation af TV'et

- 1 Fjern skruerne fra bagsiden af TV'et. Sørg for at lægge skruerne et sted, hvor du kan finde dem igen, og hold dem ude af små børns rækkevidde.

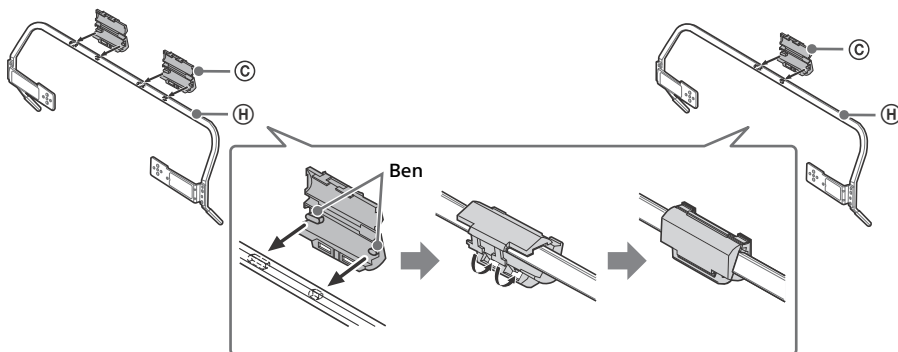


- 2 Sæt tappet (på stativbeskytter ©) i hullet på stativ ®, og fold derefter stativbeskytter © op. Kontrollér at stativbeskytter © sidder godt fast i stativ ®.

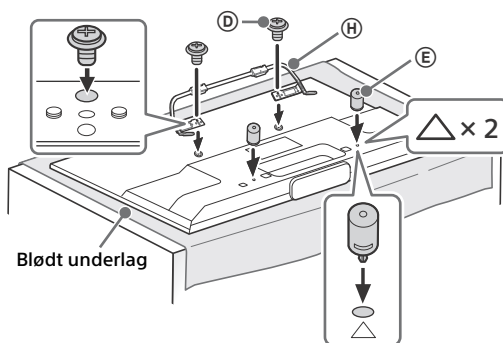
KDL-50W82xB, KDL-50W81xB,
KDL-50W80xB, KDL-50W70xB

KDL-42W82xB, KDL-42W81xB,
KDL-42W80xB, KDL-42/32W70xB

DK

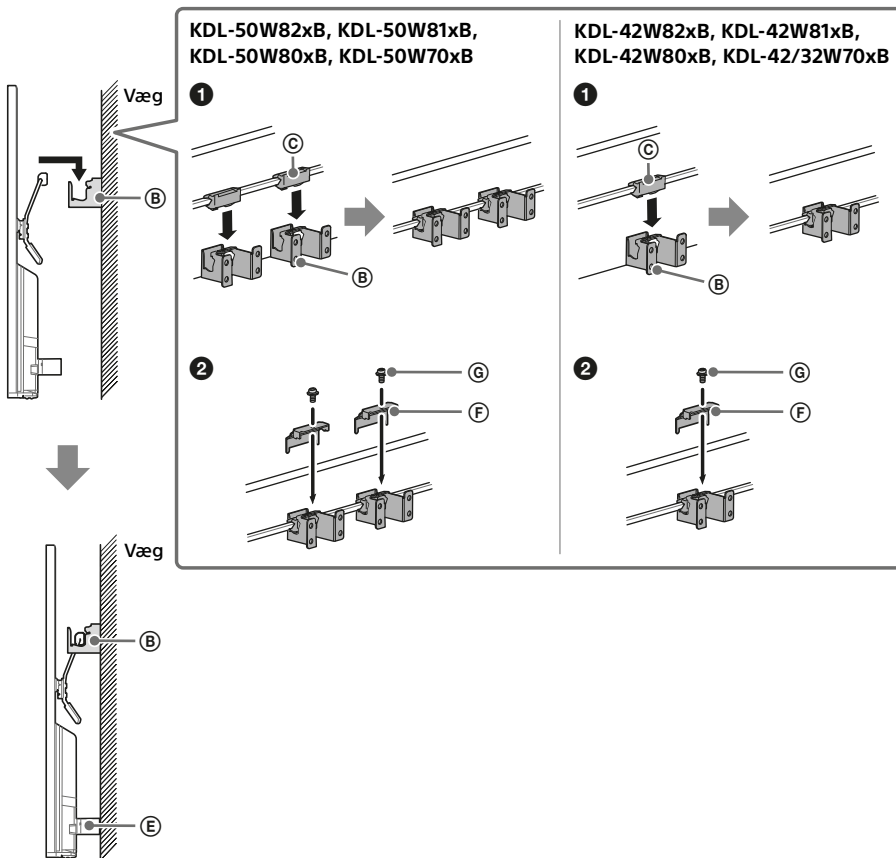


- 3 Sæt stativet ® på TV'et ved hjælp af de medfølgende skruer ®. Anbring afstandsstykkerne © på hullerne som angivet med trekantsmærkerne △. KDL-50W82xB, KDL-50W81xB, KDL-50W80xB, KDL-50W70xB bruges til illustrationsformål.



Installation af TV'et på væggen

- 1 Sørg for at samle og bundte kablerne, før du installerer TV'et på væggen.
- 2 Installer TV'et på væggen. Kontrollér derefter, at stativbeskytter © er sidder godt fast i basen til vægmontering © og at afstandsstykkerne © rører væggen. Sæt beslagoverflade © fast med de medfølgende skruer ©.

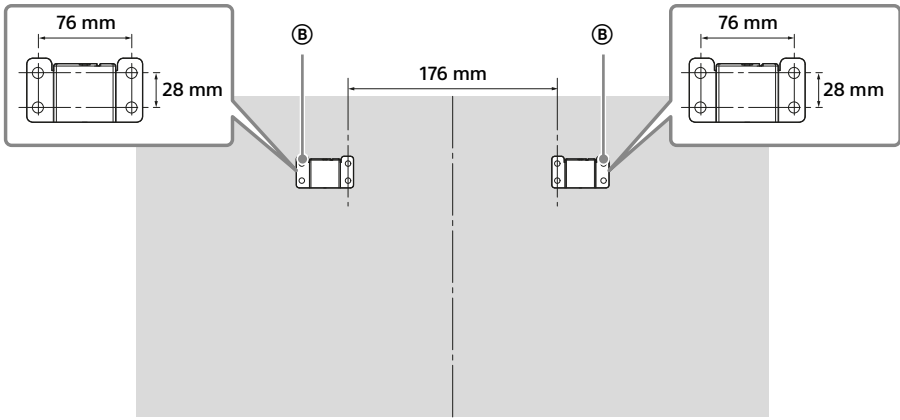


Mål for hulpaceringer på væggen

Giv om nødvendigt følgende information til den autoriserede underleverandør.

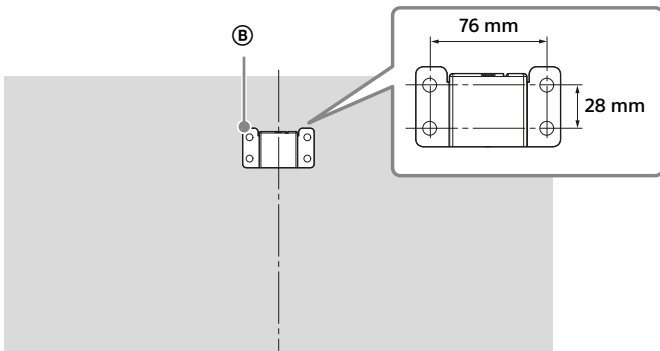
Brug skruer (8 mm diameter, medfølger ikke) til at installere basen til vægmontering **(B)** på væggen. Sørg for at lette installationen ved at bruge den medfølgende papirskabelon **(A)**, der viser den rigtige placering af basen til vægmontering.

KDL-50W82xB, KDL-50W81xB, KDL-50W80xB, KDL-50W70xB



DK

KDL-42W82xB, KDL-42W81xB, KDL-42W80xB, KDL-42/32W70xB



Se følgende websted for vejledning til montering af din tv-models beslag til vægmontering:
www.sony.eu/tv/wall-mount-bracket-manual

Fejlfinding

Når belysnings-LED'en blinker rødt, skal du tælle, hvor mange gange den blinker (interval på tre sekunder).

Hvis Belysnings-LED blinker rødt, skal du nulstille TV ved at trække netledningen ud af TV i to minutter og derefter tænde TV.

Hvis problemet ikke forsvinder, skal du kontakte forhandleren eller et Sony-servicecenter og oplyse antallet af gange Belysnings-LED blinkede rødt (interval på tre sekunder). Tryk på I/⏻ på TV for at slukke det, træk netledningen ud, og informer forhandleren eller et Sony-servicecenter om problemet.

Når belysnings-LED'en ikke blinker, skal du kontrollere punkterne i tabellen på følgende måde.

Se også [Fejlfinding] i i-Manual, eller udfør selvdiagnosticering ved at vælge ? [Hjælp] → [Kundeservice] → [Selvdiagnosticering]. Hvis problemet fortsætter, skal du have dit TV til service hos kvalificeret servicepersonale.

Problemer og løsninger

Der er intet billede (skærmen er mørk) og ingen lyd.

- Kontroller antennen/kabelforbindelsen.
- Tilslut TV'et til strømforsyningen (stikkontakten) og tryk på TV'ets eller fjernbetjeningens I/⏻.

Nogle programmer kan ikke indstilles.

- Kontroller antennen eller parabolen.
- Satellitkablet kan være kortslettet, eller der er tilslutningsproblemer med kablet. Kontroller kablet og tilslutningen, og sluk derefter tv'et på hovedkontakten tænd/sluk, og tænd det igen.
- Den indtastede frekvens er uden for området. Kontakt selskabet bag satellitudsendelsen.

Der er ikke fundet nogen Kabel-tv-tjenester (programmer).

- Kontroller kabeltilslutningen eller tuningkonfigurationen.
- Prøv [Aut. programindstilling] ved at vælge [Egen Antenne] i stedet for [Kabel TV].

Fjernbetjeningen virker ikke.

- Udskift batterierne.
- Tv'et kan være i SYNC-tilstand. Tryk på **SYNC MENU**, vælg [Tv-styring], vælg derefter [Home (menu)] eller [Funktioner] for at betjene tv'et.

Glemte kodeord for [Børnelås].

- Indtast 9999 for PIN-kode (PIN-kode 9999 accepteres altid).

Tv'ets omgivelser bliver varme.

- Når tv'et bruges i en længere periode, bliver tv'ets omgivelser varme. Du kan mærke, at det er varmt ved at berøre det med hånden.

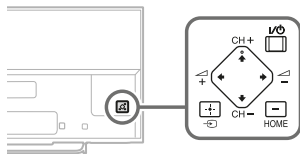
Video eller lyd fryser, skærmen er tom eller tv'et reagerer ikke på tv'ets eller fjernbetjeningens knapper.

- Udfør en enkel nulstilling af tv'et ved at tage netledningen ud i to minutter og derefter sætte den i igen.

Knapperne I/⏻, CH+/-, ⏪ +/-, ⏩ +/-, ⏮, ⏭, ⏯, ⏰, [] og HOME kan ikke findes på TV'et.

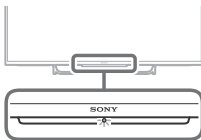
- Se nedenstående illustration for placering af knapperne på TV'et.

Bagsiden af TV'et



Belysnings-LED'en er tændt.

- Hvis du ikke vil have belysnings-LED'en tændt, kan du slukke for den. Tryk på **HOME** og vælg derefter [Indstillinger] → [Systemindstillinger] → [Generel opsætning] → [Belysnings-LED] → [Fra]. Du kan også trykke på **OPTIONS** og derefter vælge [Belysnings-LED] → [Fra].



Kan ikke oprette forbindelse til en trådløs router med WPS.

- Hvis du bruger WEP-sikkerhed, skal du vælge [Nem] → [Wi-Fi] → [Opret forbindelse via scanning]. Vælg derefter navnet (SSID) på det netværk, du vil oprette forbindelse til.

Kan ikke finde det krævede netværksnavn i netværksopstillingen.

- Vælg [[Manuel indtastning]] og tryk på ⊕ for at indtaste netværksnavnet.

Specifikationer

System

Panelsystem

LCD-panel (flydende krystal), LED-baggrundslys

Tv-system

Analog: Afhænger af dit valgte land/område:

B/G, D/K, L, I, M

Digital: DVB-T/DVB-C
DVB-T2

Satellit: DVB-S/DVB-S2

Farve/videosystem

Analog: PAL, SECAM, NTSC3.58, NTSC4.43

Digital: Se i-Manualen.

Kanaldækning

Analog: UHF/VHF/kabel-tv, Afhænger af dit valgte land/område.

Digital: UHF/VHF/kabel-tv, Afhænger af dit valgte land/område.

Satellit: IF-frekvens 950-2150 MHz

Lydeffekt

8 W + 8 W (undtagen KDL-32W70xB)

5 W + 5 W (kun KDL-32W70xB)

Trådløs teknologi

Protokol IEEE802.11a/b/g/n

Indgangs-/Udgangsstik

Antennekabel

75 ohm, eksternt stik til VHF/UHF

Satellitantenne

Hunstik af F-type stik IEC169-24, 75 ohm.

DiSeqC 1.0, LNB 13 V/18 V & 22 kHz-tone,

Enkeltkabeldistribution EN50494.

AV1

21-bens scartstik (CENELEC-standard) med lyd/videoindgang, RGB-indgang og tv-lyd/videoudgang.

COMPONENT IN

YPbPr (komponentvideo): 1080p (50, 60 Hz), 1080i (50, 60 Hz), 720p (50, 60 Hz), 576p, 576i, 480p, 480i

Lydindgang (phono-jackstik)

AV2

Videoindgang (almindeligt phonostik med Y-indgang)

HDMI IN 1, 2, 3, 4 (undtagen

KDL-50/42/32W70xB)

Video (2D): 1080p (30, 50, 60 Hz), 1080/24p, 1080i (50, 60 Hz), 720p (30, 50, 60 Hz), 720/24p, 576p, 576i, 480p, 480i, Pc-formater

Video (3D):

Billedpakning: 1080p (30 Hz), 1080/24p, 1080i (50, 60 Hz), 720p (30, 50, 60 Hz), 720/24p

Side om side: 1080p (50, 60 Hz), 1080/24p,

1080i (50, 60 Hz), 720p (50, 60 Hz)

Over-under: 1080p (30, 50, 60 Hz), 1080/24p,

1080i (50, 60 Hz), 720p (50, 60 Hz)

Lyd: 5.1-kanals lineær PCM: 32, 44,1 og 48 kHz, 16,

20 og 24 bit, Dolby Digital

ARC (Audio Return Channel) (kun HDMI IN 2)

HDMI IN 1, 2, 3, 4 (kun KDL-50/42/32W70xB)

Video: 1080p (30, 50, 60 Hz), 1080/24p,

1080i (50, 60 Hz), 720p (30, 50, 60 Hz),

720/24p, 576p, 576i, 480p, 480i, Pc-formater

Lyd: 5.1-kanals lineær PCM: 32, 44,1 og 48 kHz, 16, 20 og 24 bit, Dolby Digital

ARC (Audio Return Channel) (kun HDMI IN 2)

MHL (almindeligt ved HDMI IN 1)

(undtagen KDL-50/42/32W70xB)

Video (2D): 1080p (30 Hz), 1080/24p,

1080i (50, 60 Hz), 720p (30, 50, 60 Hz), 720/24p,

576p, 576i, 480p, 480i

Video (3D):

Side om side: 1080/24p, 1080i (50, 60 Hz),

720p (50, 60 Hz)

Over-under: 1080p (30 Hz), 1080/24p,

1080i (50, 60 Hz), 720p (50, 60 Hz)

Lyd: 5.1-kanals lineær PCM: 32, 44,1 og 48 kHz, 16, 20 og 24 bit, Dolby Digital

MHL (almindeligt ved HDMI IN 1)

(kun KDL-50/42/32W70xB)

Video: 1080p (30 Hz), 1080/24p, 1080i (50, 60 Hz),

720p (30, 50, 60 Hz), 720/24p, 576p, 576i, 480p,

480i

Lyd: 5.1-kanals lineær PCM: 32, 44,1 og 48 kHz, 16, 20 og 24 bit, Dolby Digital

DIGITAL AUDIO OUT (OPTICAL)

Digitalt optisk stik (to-kanals lineær PCM, Dolby Digital)

AUDIO OUT/

Lydudgang (stereo-minijack-stik)

Stik til højretelefoner

(støtte for Subwoofer-ud)

1 (HDD REC), 2

USB HDD-enhedsport (kun  1), USB-port

CAM (Conditional Access Module)-holder

DC IN 19.5 V

Adapterindgang

LAN

10BASE-T/100BASE-TX-stik

(Forbindelseshastigheden kan variere, afhængigt af netværksmiljøet. 10BASE-T/100BASE-TX-kommunikations-hastigheden og -kvaliteten garanteres ikke for dette tv.)

DK

Andre

Ekstraudstyr

Touchpad-fjernbetjening: RMF-ED004
Videokonferencekamera og -mikrofonenhed:
CMU-BR200/CMU-BR100
Trådløs subwoofer: SWF-BR100
MHL-kabel: DLC-MB10/DLC-MB20/DLC-MC10/
DLC-MC20
Aktive 3D-briller: TDG-BT500A (kun
KDL-50W82xB, KDL-50W81xB, KDL-50W80xB)



Passive 3D-briller: TDG-500P (kun KDL-42W82xB,
KDL-42W81xB, KDL-42W80xB)



Driftstemperatur

0 °C til 40 °C

Fugtighed

10 % til 80 % RH (ikke-kondenserende)

Strøm og andet

Strømkrav

19,5 V DC med AC-adapter (lysnetaadapter)
Mærkning: Input 220 V - 240 V AC, 50 Hz

Lavenergiklasse

KDL-50W82xB, KDL-50W81xB, KDL-50W80xB,
KDL-50W70xB: A++
KDL-42W82xB, KDL-42W81xB, KDL-42W80xB,
KDL-42W70xB: A+
KDL-32W70xB: A

Skærmstørrelse (målt diagonalt) (Ca.)

KDL-50W82xB, KDL-50W81xB, KDL-50W80xB,
KDL-50W70xB: 50 tommer / 125,7 cm
KDL-42W82xB, KDL-42W81xB, KDL-42W80xB,
KDL-42W70xB: 42 tommer / 106,7 cm
KDL-32W70xB: 32 tommer / 80,1 cm

Strømforbrug

i [Standard] tilstand

KDL-50W82xB, KDL-50W81xB, KDL-50W80xB,
KDL-50W70xB: 51 W
KDL-42W82xB, KDL-42W81xB, KDL-42W80xB,
KDL-42W70xB: 50 W
KDL-32W70xB: 39 W

i [Kraftig] tilstand

KDL-50W82xB, KDL-50W81xB, KDL-50W80xB,
KDL-50W70xB: 100 W
KDL-42W82xB, KDL-42W81xB, KDL-42W80xB,
KDL-42W70xB: 99 W
KDL-32W70xB: 80 W

Gennemsnitligt årligt energiforbrug*1

KDL-50W82xB, KDL-50W81xB, KDL-50W80xB,
KDL-50W70xB: 71 kWh
KDL-42W82xB, KDL-42W81xB, KDL-42W80xB,
KDL-42W70xB: 69 kWh
KDL-32W70xB: 54 kWh

Strømforbrug i standby*2

0,5 W (10 W i software-/EPG-opdateringstilstand)

Skærmopløsning

1.920 punkter (vandret) × 1.080 linjer (lodret)

Mål (Ca.) (b × h × d)

Inkl. tv-fod

KDL-50W82xB, KDL-50W81xB, KDL-50W80xB,
KDL-50W70xB: 111,6 × 69,3 × 17,9 cm
KDL-42W82xB, KDL-42W81xB, KDL-42W80xB,
KDL-42W70xB: 95,8 × 60,0 × 17,0 cm
KDL-32W70xB: 72,9 × 46,5 × 14,1 cm

Uden tv-fod

KDL-50W82xB, KDL-50W81xB, KDL-50W80xB,
KDL-50W70xB: 111,6 × 65,6 × 6,4 cm
KDL-42W82xB, KDL-42W81xB, KDL-42W80xB,
KDL-42W70xB: 95,8 × 56,3 × 6,4 cm
KDL-32W70xB: 72,9 × 43,3 × 6,4 cm

Vægt (Ca.)

Inkl. tv-fod

KDL-50W82xB, KDL-50W81xB, KDL-50W80xB,
KDL-50W70xB: 14,8 kg
KDL-42W82xB, KDL-42W81xB, KDL-42W80xB,
KDL-42W70xB: 11,7 kg
KDL-32W70xB: 7,9 kg

Uden tv-fod

KDL-50W82xB, KDL-50W81xB, KDL-50W80xB,
KDL-50W70xB: 13,6 kg
KDL-42W82xB, KDL-42W81xB, KDL-42W80xB,
KDL-42W70xB: 10,5 kg
KDL-32W70xB: 6,9 kg

*1 Energiforbrug pr. år baseret på tv'ets strømforbrug ved brug 4 timer om dagen 365 om året. Det egentlige energiforbrug afhænger af, hvordan tv'et bruges.

*2 Den angivne standbyeffekt nås, når tv'et har afsluttet nødvendige interne processer.

Bemærk

- "x" i modelnavnet svarer til et numerisk ciffer vedrørende design, farve eller tv-system.
- Fjern ikke dummy-kortet fra TV CAM (Conditional Access Module)-holder medmindre du vil indsætte et smartcard, der er sat i et CAM.
- Tilgængeligheden af ekstra tilbehør afhænger af land/område/tv-model/lager.
- Design og specifikationer kan ændres uden varsel.
- Dette tv gør brug af MHL 2.

Bemærkninger om digital TV-funktion

- Funktioner i forbindelse med digitalt TV (DVB) fungerer kun i lande eller områder, hvor der udsendes i DVB-T/DVB-T2 (MPEG-2 og H.264/MPEG-4 AVC) digitale jordbundne signaler, eller der er adgang til en kompatibel DVB-C (MPEG-2 og H.264/MPEG-4 AVC) kabeltjeneste. Få at vide hos din lokale forhandler, om du kan modtage et DVB-T/DVB-T2-signal på din bopæl, eller spørg kabeludbyderen, om deres DVB-C kabeltjeneste er egnet til integreret betjening med dette TV-apparat.
- Kabeludbyderen kan opkræve et ekstra gebyr for en sådan service eller kræve, at du indvilger i deres forretningsbetingelser og -vilkår.
- Dette TV-apparat følger specifikationerne for DVB-T/DVB-T2 og DVB-C, men der er ikke garanti for kompatibiliteten med fremtidige DVB-T/DVB-T2 digitale jordbundne udsendelser og DVB-C digitale kabeludsendelser.
- Visse digitale tv-funktioner er muligvis ikke tilgængelige i visse lande/områder, og DVB-C-kabel fungerer eventuelt ikke korrekt hos visse udbydere.

Oplysninger om varemærker

- HDMI, High-Definition Multimedia Interface og HDMI-logoet er varemærker eller registrerede varemærker for HDMI Licensing LLC i USA og andre lande.
- DLNA®, DLNA-logoet og DLNA CERTIFIED® er varemærker, servicemærker eller certificeringsmærker tilhørende Digital Living Network Alliance.
- Fremstillet under licens fra Dolby Laboratories. Dolby og det dobbelte D-symbol er varemærker tilhørende Dolby Laboratories.
- "BRAVIA" og BRAVIA er varemærker, der tilhører Sony Corporation.
- TrackID er et varemærke eller registreret varemærke tilhørende Sony Mobile Communications AB.

- Gracenote, Gracenote eyeQ, Gracenote VideoID, Gracenote Video Explore, Gracenote MusicID, Gracenote- logoet og logotypen samt "Powered by Gracenote"- logoet er enten registrerede varemærker eller varemærker tilhørende Gracenote i USA og/eller andre lande.
- Opera® Devices SDK from Opera Software ASA. Copyright 1995-2014 Opera Software ASA. All rights reserved.
- Wi-Fi, Wi-Fi Direct og Miracast er varemærker eller registrerede varemærker tilhørende Wi-Fi Alliance.
- "Sony Entertainment Network-logoet" og "Sony Entertainment Network" er varemærker tilhørende Sony Corporation.
- MHL, Mobile High-Definition Link og MHL- logoet er varemærker eller registrerede varemærker for MHL Licensing, LLC.
- For DTS-patenter henvises til <http://patents.dts.com>. Fremstillet under licens fra DTS Licensing Limited. DTS, Symbol, & DTS og Symbol er sammen registrerede varemærker og DTS Digital Surround er et varemærke tilhørende DTS, Inc. © DTS, Inc. Alle rettigheder forbeholdes.
- Designed with UEI Technology™ Under License from Universal Electronics Inc. Portions © UEI 2000 – 2013
- Bluetooth®-ordmærket og logoer tilhører Bluetooth SIG, Inc. og enhver anvendelse af sådanne mærker anvendes af Sony Corporation under licens. Andre varemærker og handelsnavne tilhører deres respektive ejere.
- DiSEqC™ er et varemærke tilhørende EUTELSAT. Dette tv understøtter DiSEqC 1.0. Dette tv er ikke beregnet til at styre motoriserede antenner.

Sisällysluettelo

TÄRKEÄ HUOMAUTUS.....	2
Turvallisuus-ohjeet.....	3
Varotoimenpiteet.....	5
TV:n asennus seinälle.....	7
Kiinnikkeiden asennus seinään.....	8
TV:n asennuksen valmistelu.....	11
TV:n asennus seinään.....	12
Vianetsintä.....	14
Ongelmat ja ratkaisut.....	14
Tekniset tiedot.....	15

Johdanto

Kiitos, että valitsit tämän Sonyn tuotteen. Lue nämä käyttöohjeet huolellisesti, ennen kuin alat käyttää televisiota. Säilytä käyttöohjeet tulevaa tarvetta varten.

Huomautus

- Lue "Turvallisuus-ohjeet" (sivu 3) ennen TV:n käyttöä.
- "TV:n asennus seinälle" löytyvät tämän television käyttöohjeesta.
- Pikaoppaassa ja tässä käyttöohjeessa käytetyt kuvat ja piirroksot ovat ohjeellisia ja voivat poiketa kyseisen tuotteen ulkonäöstä.

Tunnistemerkitöjen sijainti

TV:n mallinumerotiedot, valmistuspäivämäärä (kuukausi/vuosi) ja käyttöjännite sijaitsevat TV:n takana tai pakkauksessa. Verkkolaitteen malli- ja sarjanumeron sisältävät tarrat sijaitsevat verkkolaitteen pohjassa.

VAROITUS

ÄLÄ SIOITA

KYNTTILÄÄ TAI MUUTA

AVOTULTA TÄMÄN TUOTTEEN

LÄHELLE, JOTTA VÄLTÄT

TULIPALON VAARAN.



TÄRKEÄ HUOMAUTUS

Tämä tuote on valmistettu Sony Corporationin puolesta, Sony Corporation, 1-7-1 Konan Minato-ku Tokyo, 108-0075 Japani. Tämän tuotteen Euroopan Unionin lainsäädännön vaatimustenmukaisuutta koskevat kyselyt tulee osoittaa valtuutetulle edustajalle, Sony Deutschland GmbH, Hedelfinger Strasse 61, 70327 Stuttgart, Saksa. Huolto tai takuu asioita koskevat kyselyt pyydämme ystävällisesti osoittamaan takuu tai huolto dokumenteissa mainituille edustajille.

Langattomaan signaaliin liittyvä huomautus



Sony Corporation vakuuttaa täten, että tämä laite on direktiivin 1999/5/EY oleellisten vaatimusten ja sitä koskevien direktiivien muiden ehtojen mukainen.

Halutessasi lisätietoja, käy osoitteessa:
<http://www.compliance.sony.de/>

Huomautus asiakkaille: seuraavat tiedot koskevat ainoastaan laitteita, joita myydään EU:n direktiivejä noudattavissa maissa.

Langatonta televisiojärjestelmää voi käyttää seuraavissa maissa:

AT, BE, HR, CY, CZ, DK, EE, FI, FR, DE, GR, HU, IE, IT, LV, LT, LU, MT, NL, PL, PT, SK, SI, ES, SE, GB, IS, LI, NO, CH, BG, RO, TR, AL, BA, MK, MD, RS, ME

Tätä järjestelmää ei saa käyttää muissa kuin mainituissa Euroopan maissa.

Turvallisuus-ohjeet

VAROITUS

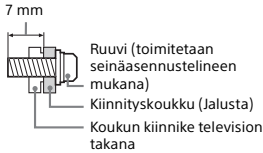
Älä jätä paristoja alttiiksi kuumuudelle, kuten auringonpaisteelle tai avotulelle.

Asennus ja käyttö

Noudata television asennuksessa ja käytössä seuraavia ohjeita välttääksesi tulipalon tai sähköiskun vaaran tai laitteen vaurioitumisen ja/tai henkilövahingot.

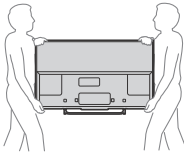
Asennus

- Television on sijoitettava helposti käsillä olevan verkkopistorasian lähelle.
- Aseta TV tukevalle, tasaiselle alustalle, ettei se putoa ja aiheuta henkilövahinkoja tai vahingoita TV:tä.
- Seinäasennuksen saa suorittaa ainoastaan asiantunteva henkilöstö.
- Turvallisuussyistä on erittäin tärkeää käyttää Sonyn varusteita: – Seinäasennuskiinnitin
- Muista käyttää seinäasennuskiinnittimen mukana toimitettuja ruuveja, kun kiinnität kiinnityskoukku (jalusta) TV-vastaanottimeen. Mukana toimitetut ruuvit on suunniteltu kuvan mukaisesti mitattuna kiinnityskoukun (jalusta) asennuspinnasta.
- Ruuvien halkaisija ja pituus vaihtelevat riippuen seinäasennustelineen mallista.
- Muiden kuin mukana toimitettujen ruuvien käyttö voi aiheuttaa vaurioita television sisäosiin, television putoamisen tai muuta vahinkoa.



Laitteen kuljettaminen ja siirtäminen

- Irrota kaikki kaapelit ennen television siirtämistä.
- Suurikokoisen television siirtämisessä tarvitaan vähintään kaksi henkilöä.
- Kun TV:tä kuljetetaan käsin, pidä siitä kiinni alla olevan mukaisesti. Älä paina LCD-näytön pintaa tai näytön ympärillä olevaa kehystä.



- Älä altista laitetta iskuille tai liialliselle tärinälle kuljetuksen aikana.
- Kun toimitat television huoltoon, tai kun kuljetat sitä muoton yhteydessä, pakkaa laite alkuperäiseen pakkaukseen ja suojaa se alkuperäisillä pakkausmateriaaleilla.

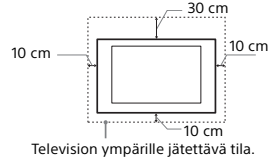
Kaatumisen estäminen

- Aseta ennen koneruuvien asentamista television näyttö alaspäin tukevalle työtasolle, joka on televisiota suurempi.
- Varmista asettamalla pehmeä kangas työtasolle, ettei LCD-näyttöpaneelin pinta vahingoitu.

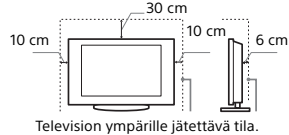
Ilmanvaihto

- Älä peitä television ilmanvaihtaukkoja äläkä työnnä mitään kotelon sisään.
- Jätä television ympärille tilaa alla olevan kuvan mukaisesti.
- Sony'n seinäasennustelineen käyttäminen on erittäin suositeltavaa riittävän ilmankieron varmistamiseksi.

Asennus seinälle

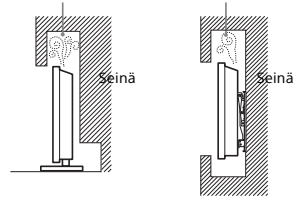


Asennus jalustalle



- Noudata seuraavia ohjeita varmistaaksesi asianmukaisen ilmanvaihdon ja estääksesi liian tai pölyn kerääntymisen: – Älä asenna televisiota takaosan varaan, ylösalaisin, takaperin tai sivuttain.
- Älä sijoita televisiota hyllyn, maton tai vuoteen päälle tai kaapin sisälle.
- Älä peitä televisiota millään tekstiilillä tai muilla vastaavilla, esimerkiksi verhoilla tai sanomalehdellä jne.
- Älä asenna televisiota alla olevien kuvien mukaisesti.

Ilmankierto estynyt



Verkkovirtajohto

- Noudata verkkovirtajohdon ja pistorasian käsittelyssä seuraavia ohjeita välttääksesi tulipalon tai sähköiskun vaaran, laitteen vaurioitumisen ja/tai henkilövahingot:
- Käytä ainoastaan Sony'n verkkovirtajohtoa. Älä käytä muiden valmistajien johtoja.
 - Työnnä pistoke kunnolla pistorasiaan.
 - Television saa kytkeä ainoastaan verkkovirtaan 220-240 V AC.
 - Irrota verkkovirtajohto pistorasiasta kaapeleiden asennuksen ajaksi turvallisuuden vuoksi. Varo kompastumasta kaapeleihin.
 - Irrota verkkovirtajohto pistorasiasta ennen kuin teet mitään toimenpiteitä televisiolle tai siirät sitä.
 - Pidä verkkovirtajohto etäällä lämmönlähteistä.
 - Irrota pistoke pistorasiasta ja puhdista se säännöllisin väliajoin.
 - Jos pistoke on pölyinen ja siihen tiivistyy kosteutta, sen eriste voi vaurioitua ja seurauksena voi olla tulipalo.

Huomautus

- Älä käytä television mukana toimitettua verkkovirtajohtoa minkään muun laitteen virtaliitäntänä.
- Älä purista, taivuta tai kierrä verkkovirtajohtoa voimakkaasti. Johtimet voivat paljastua tai rikkoutua.
- Älä tee muutoksia verkkovirtajohtoon.
- Älä aseta raskaita esineitä verkkovirtajohdon päälle.
- Kun irrotat pistokkeen pistorasiasta, älä vedä johdosta.
- Älä kytke liian montaa laitetta samaan pistorasiaan.
- Älä käytä vääränlaista pistorasiaa.

VERKKOLAITETTA KOSKEVA HUOMAUTUS

Varoitus

Suojaa laite sateelta ja kosteudelta tulipalo- ja sähköiskuvaaran estämiseksi.

Älä aseta maljakoita tai muita nestettä sisältäviä esineitä laitteen päälle tulipalo- ja sähköiskuvaaran vuoksi. Älä asenna tätä laitetta suljettuun tilaan, esimerkiksi kirjahyllyyn tai vastaavaan.

- Varmista, että pistorasia on lähellä laitetta ja että siihen on helppo päästä käsiksi.
- Muista käyttää toimitettua verkkolaitetta ja virtajohtoa.
- Älä käytä mitään muuta verkkolaitetta. Se voi aiheuttaa toimintahäiriön.
- Liitä verkkolaite pistorasiaan, joka on helposti käsillä.
- Älä kääri virtajohtoa verkkolaitteen ympärille. Sydänlanka saattaa katketa ja/ tai se voi aiheuttaa toimintahäiriön mediavastaanottoimeen.
- Älä koske verkkolaitteeseen merrillä käsillä.
- Jos havaitset verkkolaitteen toiminnassa jotain tavallisesta poikkeavaa, irrota se heti pistorasiasta.
- Vastaanotinta ei kytketä irti verkkovirrasta niin kauan kuin se on liitetty pistorasiaan, vaikka siitä olisi katkaistu virta.
- Koska verkkolaite lämpenee pitkäaikaisessa käytössä, se saattaa tuntua kuumalta, kun sitä kosketaan kädellä.



Kielletyt käyttötavat

Älä asenna tai käytä televisiota seuraavassa kuvatuissa paikoissa, ympäristöissä tai tilanteissa. Seurauksena voi olla toimintahäiriöitä, jotka aiheuttavat tulipalon, sähköiskun, laitteen vaurioitumisen ja/ tai henkilövahinkoja.

Kielletyt sijoituspaikat:

- Ulkotilat (suora auringonpaiste), merenranta, laiva tai muu alus, ajoneuvon sisätilat, terveydenhoitoloitokset, epävakaa sijoituspaikka, altistus vedelle, sateelle, kosteudelle tai savulle.
- Jos televisio sijoitetaan kylpylän tai kuumaan lähteen pukuhuoneeseen, rikkihöyryt jne. voivat vahingoittaa televisiota.



- Älä aseta ruutua suoraan keino- tai auringonvaloon. Se huonontaa kuvan laatua.
- Vältä television siirtämistä kylmältä lämpimään. Äkilliset huonelämpötilan muutokset voivat aiheuttaa kosteuden tiivistymistä. Tämä voi heikentää television kuvanlaatua ja/ tai väritoistoa. Jos näin käy, anna kosteuden haihtua kokonaan ennen virran kytkemistä televisioon.

Kielletty ympäristö:

- Kuuma, kostea ja hyvin pölyinen ympäristö; paikat, joissa television sisään voi mennä hyönteisiä tai joissa televisio voi joutua alttiiksi tärinälle; tulenarkejen esineiden läheisyys (kynnykset jne.). Television päälle ei saa tiputtaa tai roiskuttaa mitään nesteitä eikä sen päälle saa laittaa nesteillä täytettyjä esineitä (esim. kukkamaljakkoa).
- Älä sijoita televisiota kosteaan tai pölyiseen ympäristöön tai huoneeseen, jossa on öljyistä savua tai höyryä (keittolevyjen tai ilmastokotutajien läheisyyteen). Tästä voi olla seurauksena tulipalo, sähköisku tai tuotteen vääntyminen.
- Älä asenna televisiota paikkaan, jossa se altistuu äärimmäsille lämpötiloille, kuten suoraan auringonpaisteseen, lämpöpatterin tai lämmityskanavan läheisyyteen. Televisio voi ylikuumentua tällaisissa olosuhteissa, mistä voi olla seurauksena sen kotelon vääntyminen ja/ tai toimintahäiriö.



Kielletyt tilanteet:

- Älä käytä televisiota kostein käsin tai jos television suojapaneeli on irrotettu. Älä käytä televisiota sellaisten lisälaitteiden kanssa, jotka eivät ole valmistajan hyväksymiä. Irrota televisio virtapistoke ja antennin pistoke pistorasiasta ukkosmyrskyn aikana.
- Älä asenna televisiota niin, että se ulottuu avoimeen tilaan. Televisioon törmäävä henkilö tai esine voi vahingoittaa sitä.



Särkyminen vaara:

- Älä heitä mitään televisiota kohti. Näytön lasi voi särkyä iskun voimasta aiheuttaen vakavia vahinkoja.
- Jos television näytön pintaan tulee vaurioita, älä koske siihen ennen kuin olet irrottanut virtajohto pistorasiasta. Sähköiskun vaara.

Kun televisiota ei käytetä

- Jos et käytä televisiota useaan päivään, kytke se irti verkkovirrasta ympäristö- ja turvallisuussyistä.
- Televisio ei kytkeydy kokonaan irti verkkovirrasta, kun se kytketään pois päältä virtakytkimellä. Kytke televisio kokonaan irti verkkovirrasta irrottamalla pistoke verkkopistorasiasta.
- Huomaa kuitenkin, että joissakin televisioissa voi olla toimintoja, jotka toimiakseen edellyttävät television olevan valmiustilassa.

Lasten turvallisuus

- Älä anna lasten kiivetä television päälle.
- Pidä kaikki varusteet poissa lasten ulottuvilta, jotta lapset eivät vahingoista näläise pikkusineitä.

Toimintaohjeet ongelmatilanteissa...

Katkaise virta televisiosta ja irrota pistoke pistorasiasta välittömästi, jos jokin alla mainituista ongelmatilanteista esiintyy. Toimita televisio tarkastettavaksi valtuutettuun huoltoon jälleenmyyjän tai Sonyn huoltokeskuksen kautta.

Ongelmatilanteet:

- Verkkovirtajohto on vaurioitunut.
- Pistoke ei ole sopiva.
- Televisio on vaurioitunut putoamisen, iskun tai törmäyksen vuoksi.
- Television sisään on päässyt nestettä tai esineitä.

Tietoja LCD-näytön lämpötilasta

Jos LCD-näyttöä käytetään pitkiä aikoja, paneelin ympäristö lämpenee. Kädellä kokeiltaessa se voi tuntua kuumalta.

SEINÄASENNUSKIINNITIN

Alla olevissa tiedoissa on esitetty seinäasennuskiinnittimen oikea käsittely. Muista lukea nämä tiedot huolellisesti ja käytä seinäasennuskiinnintä oikein.

Asiakkaalle:

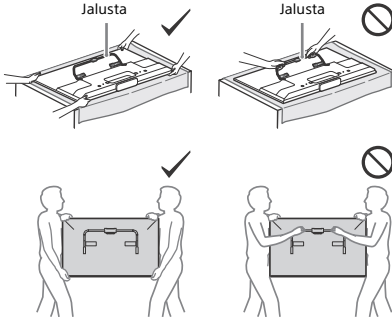
Noudata seuraavia turvallisuusvaroitointia tulipalon, sähköiskun, tuotteen kaatumisen tai sen putoamisen aiheuttamien vakavien vammojen estämiseksi.

- Asennuksen saa suorittaa vain valtuutettu huoltoliike. Pidä lapset poissa asennusalueelta asennuksen aikana.
- Vain valtuutettu huoltoliike saa siirtää tai irrottaa TV:n.
- Älä irrota ruuveja jne. TV:n asentamisen jälkeen.
- Älä tee muutoksia seinäasennuskiinnittimen osiin.
- Älä asenna muita laitteita kuin määritellyt tuote.
- Älä kohdista seinäasennuskiinnittimeen TV:n lisäksi muita kuormitusta.
- Älä nojaa TV:hen tai roiku sitä.
- Älä käytä TV:n puhdistuksessa tai kunnossapidossa liiallista voimaa.

Sony-jälleenmyyjille ja huoltoliikkeille:

Seuraavat ohjeet on tarkoitettu ainoastaan Sony-jälleenmyyjille ja huoltoliikkeille. Muista lukea alla olevat turvallisuusvaroitukset ja kiinnitä erityistä huomiota turvallisuuteen tämän tuotteen asennuksen, huollon ja tarkastuksen aikana.

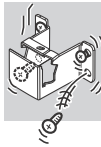
- Pidä TV-vastaanotinta käsiteltäessä tai kiinnitettäessä kiinni sen sivuilta. Älä nosta TV:tä jalustasta.



- Älä asenna seinäasennuskiinnittä seinäpintoihin, joissa TV:n kulmat tai sivut ovat irti seinästä.



- Älä asenna TV:tä ilmastointilaitteen ylä- tai alapuolelle.
- Muista asentaa seinäasennuskiinnitin tukevasti seinään tämän käyttöoppaan ohjeiden mukaisesti. Jos jokin ruuveista on löysällä tai pudonnut, seinäasennuskiinnitin voi pudota ja aiheuttaa henkilö- tai omaisuusvahingon.
- Käytä toimitettuja ruuveja ja kiinnitystarvikkeita tässä käyttöoppaassa annettujen ohjeiden mukaisesti. Jos käytetään korvaavia osia, TV saattaa pudota ja aiheuttaa henkilövahingon tai vahingoittaa TV:tä.



- Kokoa kiinnitin oikein tässä käyttöoppaassa selostetun menetelmän mukaisesti.
- Kiristä ruuvit tukevasti ilmoitettuihin kohtiin.
- Älä kohdista TV:hen iskua asennuksen aikana.
- Asenna TV pystysuoralle ja tasaiselle seinälle.
- Kun TV on asennettu oikein, kiinnitä johdot kunnolla.
- Varmista, ettei virtajohto tai liitäntäjohdot jää puristuksiin, sillä niiden sisäiset johtimet voivat paljastua ja aiheuttaa oikosulun tai sähkökatkon.



Varoitoimenpiteet

Television katseleminen

- Jotkut henkilöt voivat saada fyysisiä oireita (silmien rasittumista, väsymystä tai pahoinvointia) 3D-videokuvan katselusta tai stereoskooppisten 3D-pelien pelaamisesta. Sony suosittelee, että kaikki katselijat pitävät säännöllisin välein taukoja katsellessaan 3D-videokuvaa tai pelatessaan stereoskooppisia 3D-pelejä. Taukojen pituuden ja taajuuden tarve vaihtelee henkilöittäin. Toimi itsellesi parhaalla tavalla. Jos koet epämiellyttäviä oireita, lopeta 3D-videokuvan katselu tai stereoskooppisten 3D-pelien pelaaminen, kunnes oireet häviävät. Otta tarvittaessa yhteys lääkäriin. Tutustu myös (i) muiden tämän television kanssa käytettävien laitteiden tai tallennusvälineiden käyttöohjeisiin ja (ii) Internet-sivustoomme (<http://support.sony-europe.com/>), jossa on uusimmat tiedot aiheesta. Pienten (erityisesti alle kuusivuotiaiden) lasten näköaisti on vielä kehitysvaiheessa. Kysy lisätietoja lääkäritä (lastenlääkäritä tai silmälääkäritä), ennen kuin annat lasten katsoa 3D-videokuvaa tai pelata stereoskooppisia 3D-pelejä. Aikuisen tulee tarkkailla lapsiaan ja varmistaa, että he noudattavat edellä mainittuja suosituksia.
- Älä käytä, säilytä tai jätä 3D-laseja tai paristoa tulen lähelle tai kuumaan paikkaan, kuten suoraan auringonvaloon tai auringon lämmittämään autoon.
- Simuloitua 3D-toimintaa käytettäessä ruudussa näkyvä kuva on erilainen kuin alkuperäinen, koska televisio muuntaa sen.
- Katsele televisiota kohtuullisessa valaistuksessa, sillä katselu heikossa valaistuksessa tai pitkän aikaa rasittaa silmiä.
- Säädä äänenvoimakkuus kuulokkeita käyttäessäsi riittävän pieneksi, sillä suuri äänenvoimakkuus voi vahingoittaa kuuloa.

LCD-näyttö

- LCD-näyttö on valmistettu pitkälle kehitetyn tekniikan mukaisesti, ja siinä on tehokkaita pikseleitä vähintään 99,99%. LCD-näytössä voi näkyä jatkuvasti mustia pisteitä tai kirkkaita valopisteitä (punainen, sininen tai vihreä). Tämä on LCD-näytön normaali ominaisuus eikä siis merkki viasta.
- Älä paina tai raaputa näytön pintaa äläkä laita mitään esineitä television päälle. Kuva voi muuttua epätasaiseksi tai LCD-näyttö voi vahingoittua.
- Jos televisiota käytetään kylmässä paikassa, kuvaan saattaa tulla vääristymiä tai kuva voi tummua. Tämä ei ole merkki viasta. Nämä ilmiöt häviävät lämpötilan noustessa.
- Jos näyttöön jätetään liikkumatonta kuvaa pitkäksi ajaksi, näyttöön saattaa jäädä jälkikuva. Sen pitäisi kuitenkin kadota jonkin ajan kuluessa.
- Näytön ja kotelon lämpeneminen television käytön aikana on normaalia.
- LCD-näyttö sisältää pienen määrän nestekiteitä. Noudata paikallisia jätehuoltomääräyksiä.

Television näytön pinnan ja kotelon käsitteleminen ja puhdistaminen

Irrota television kytketty virtajohto pistorasiasta aina ennen television puhdistusta. Noudata seuraavia ohjeita välttääksesi vahingoittamista kotelon tai näytön pintaa.

- Pyyhi pöly varovasti näytön pinnasta tai kotelosta pehmeällä liinalla. Jos pöly ei lähde pois helposti, pyyhi näyttö pehmeällä liinalla, joka on kostutettu laimealla pesuaineliuoksella.
- Älä koskaan ruiskuta vettä tai pesuainetta suoraan televisioon. Sitä voi valua näytön alaosaan tai ulkopuolisiin osiin ja päästä television sisään, mikä voi aiheuttaa vaurioita televisiolle.
- Älä käytä hankaustynyjä, hapanta tai emäksistä pesuainetta, hankausjauhetta ja liuotinta, kuten alkoholia, bensiiniä tai tinneriä, tai hyönteismyrkkyä. Tällaisten aineiden käyttö tai pitkäaikainen kosketus kumin tai vinylin kanssa voi vahingoittaa näytön ja kotelon pintaa.
- Ilmanvaihtoaukot on suositeltavaa imuroida säännöllisin väliajoin hyvän ilmanvaihdon varmistamiseksi.
- Kun säädät television katselukulmaa, siirrä laitetta varovasti, jotta se ei irtoa tai luiskahda pois pöytäjalustalta.



Lisälaitteet

- Pidä kaikki sähkömagneettista säteilyä aiheuttavat lisävarusteet tai laitteet poissa television läheltä. Sähkömagneettinen säteily voi aiheuttaa häiriöitä kuvaan ja/tai koihina.
- Tämä laite on testeissä todettu olevan EMC-direktiivin rajoitusten mukainen käytettäessä liitäntäkaapelia, joka on enintään 3 metrin pituinen.

Suosittelu F-tyyppin liitin

Sisäjohtimen ulkonema liitäntäosasta on oltava alle 1,5 mm.



(Viitteellinen kuva F-tyyppin liittimestä)

Huomioitavaa kaukosäätimen käytöstä

- Tarkista oikea polariteetti asentaessasi paristoa.
- Älä käytä yhdessä erityyppisiä paristoja tai uusia ja vanhoja paristoja.
- Hävitä käytetyt paristot ympäristöystävällisesti. Joissakin maissa paristojen hävittämiseen liittyy määräyksiä. Kysy neuvoa jätahuoltokeskuksesta.
- Käsittele kaukosäädintä varovasti. Varo pudottamasta kaukosäädintä tai astumasta sen päälle. Älä myöskään kaada mitään nestettä kaukosäätimen päälle.
- Älä laita kaukosäädintä lämmönlähteen lähelle tai suoraan auringonvaloon. Älä myöskään pidä sitä kosteassa huoneessa.

Laitteen langattoman yhteyden toiminta

- Älä käytä laitetta lääketieteellisten laitteiden (kuten sydämentahdistimen) lähellä, jottei laitteiden toiminta häiriinny.
- Vaikka tämä laite lähettää ja vastaanottaa salattua signaalia, varmista kuitenkin, että signaalia ei kaapata. Sony ei vastaa signaalin kaappamisesta aiheutuvista seurauksista.

SEINÄASENNUSKIINNITIN

- Jos seinäasennuskiinnittimeen asennettua TV:tä käytetään pitkään, TV:n takana tai yläpuolella oleva seinäpinta voi värjäytyä tai tapetti irrota seinämateriaalista riippuen.
- Jos seinäasennuskiinnitin irrotetaan seinään asennuksen jälkeen, ruuvireiät jäävät näkyviin seinään.
- Älä käytä seinäasennuskiinnitintä paikassa, jossa se altistuu mekaaniselle tärinälle.

Television käytöstäpoisto ja hävittäminen



Käytöstä poistettujen sähkö- ja elektroniikkalaitteiden hävittäminen (koskee Euroopan yhteisön ja muiden Euroopan maiden jätahuoltoa)

Tämä laitteeseen tai sen pakkaukseen merkitty symboli tarkoittaa, että laitetta ei saa käsitellä kotitalousjätteenä. Sen sijaan laite on toimitettava sähkö ja elektroniikkalaitteiden

kierrätyksestä huolehtivaan keräys- ja kierrätyspisteeseen. Varmistamalla, että tämä laite hävitetään asianmukaisesti, voit auttaa estämään mahdollisia ympäristö- ja terveyshaittoja, joita muuten voi aiheutua laitteen epäasianmukaisesta käsittelystä. Materiaalien kierrätys säästää luonnonvaroja. Lisätietoja laitteen käsittelystä, talteenotosta ja kierrätyksestä on saatavilla paikallisilta ympäristöviranomaisilta, jätahuoltokeskuksesta tai liikkeestä, josta laite on ostettu.



Käytöstä poistettujen paristojen hävitys (koskee Euroopan unionia sekä muita Euroopan maita, joissa on erillisiä keräysjärjestelmiä)

Tämä symboli paristossa tai sen pakkauksessa tarkoittaa, ettei paristoa lasketa normaalisesti

kotitalousjätteeksi. Tietyissä paristoissa tätä symbolia voidaan käyttää yhdessä kemikaalia ilmaisevan symbolin kanssa. Paristoon on lisäty kemikaaleja elohopea (Hg) ja lyijyä (Pb) ilmaisevat symbolit, jos paristo sisältää enemmän kuin 0,0005% elohopeaa tai enemmän kuin 0,004% lyijyä. Varmistamalla, että paristo poistetaan käytöstä asiaan kuuluvalla tavalla, estetään mahdollisia negatiivisia vaikutuksia luonnolle ja ihmisten terveydelle, joita paristojen väärä hävittäminen saattaa aiheuttaa. Materiaalien kierrätys auttaa säästämään luonnonvaroja. Mikäli tuotteen turvallisuus, suorituskyky tai tietojen säilyminen vaatii, että paristo on kiinteästi kytketty laitteeseen, tulee pariston vaihto suorittaa valtuutetun huollon toimesta. Jotta varmistetaan, että käytöstä poistettu tuote käsitellään asianmukaisesti, tulee tuote viedä käytöstä poistettujen sähkö- ja elektroniikkalaitteiden vastaanottopisteeseen. Muiden paristojen osalta tarkista käyttöohjeesta miten paristo irrotetaan tuotteesta turvallisesti. Toimita käytöstä poistettu paristo pariston vastaanottopisteeseen. Lisätietoja tuotteiden ja paristojen kierrätyksestä saa paikallisilta viranomaisilta, jätelyhtiöstä tai liikkeestä, josta tuote on ostettu.

TV:n asennus seinälle

Asiakkaille

Tämän tuotteen asennukseen tarvitaan riittävä asiantuntemus. Asennus on annettava Sony-jälleenmyyjien tai valtuutettujen huoltoliikkeiden tehtäväksi, ja asennuksen turvallisuuteen on kiinnitettävä erityistä huomiota. Sony ei vastaa vahingoista tai vammoista, jotka aiheutuvat virheellisestä käsittelystä tai asennuksesta tai muun kuin määritetyn tuotteen asennuksesta. Tämä ei vaikuta (mahdollisiin) lakisääteisiin oikeuksiin.

Sony-jälleenmyyjille ja huoltoliikkeille

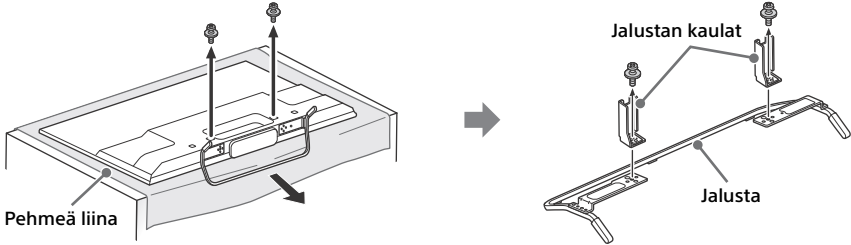
Tämän tuotteen asennukseen tarvitaan riittävä asiantuntemus. Lue tämä käyttöopas huolellisesti, jotta asennus voidaan suorittaa turvallisesti. Sony ei ole vastuussa mistään vahingosta tai vammoista, jotka johtuvat tuotteen väärästä käsittelystä tai asennuksesta.

TV:n pöytäjalustaa käytetään seinäasennuskiinnittimen osana.

Huomautus

- Katso sivu 3 (Turvallisuus-ohjeet) ja sivu 5 (Varotoimenpiteet) ohjeesta SEINÄASENNUSKIINNITIN ennen seinäasennuskiinnittimen asennusta.
- Jos pöytäjalusta on kiinnitetty TV-vastaanottimeen, irrota se etukäteen.
- Aseta TV kuvaruutu alaspäin tasaiselle ja tukevalle alustalle, jonka päälle on asetettu TV:tä isompi paksu ja pehmeä kangas, kun kiinnität jalustan tai irrotat pöytäjalustan TV:stä. Tämä estää LCD-näytön pinnan vahingoittumisen.
- Kun jalustan kaulat on irrotettu jalustasta, säilytä jalustan kaulat ja ruuvit varmassa paikassa.
- Kun pöytäjalusta kiinnitetään takaisin paikalleen, muista kiinnittää ruuvit (jotka irrotettiin aiemmin) TV:n takana oleviin alkuperäisiin reikiinsä.
- Varmista ennen virran kytkemistä, että TV on pystyasennossa. TV-vastaanottimen virtaa ei saa kuvan epäyhtenäisyyden estämiseksi kytkeä päälle, kun LCD-paneeli on alaspäin.

Pöytäjalustan irrottaminen TV:stä

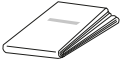


Kiinnikkeiden asennus seinään

1 Ota tarvittavat osat valmiiksi.

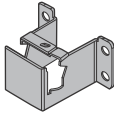
Seinäasennuskiinnittimen varusteet (sisältyy toimitukseen)

A Paperimalli



B Seinäasennusalusta

KDL-50W82xB,
KDL-50W81xB,
KDL-50W80xB,
KDL-50W70xB (2)
KDL-42W82xB,
KDL-42W81xB,
KDL-42W80xB,
KDL-42/32W70xB (1)



C Jalustan suoja

KDL-50W82xB,
KDL-50W81xB,
KDL-50W80xB,
KDL-50W70xB (2)
KDL-42W82xB,
KDL-42W81xB,
KDL-42W80xB,
KDL-42/32W70xB (1)



D Ruuvi (+PSW 6 x 12) (2)



E Välike (2)



F Kiinnikkeen suojalevy

KDL-50W82xB,
KDL-50W81xB,
KDL-50W80xB,
KDL-50W70xB (2)
KDL-42W82xB,
KDL-42W81xB,
KDL-42W80xB,
KDL-42/32W70xB (1)



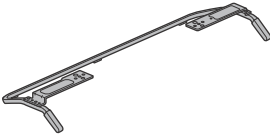
G Ruuvi (+PSW 4 x 10)

KDL-50W82xB,
KDL-50W81xB,
KDL-50W80xB,
KDL-50W70xB (2)
KDL-42W82xB,
KDL-42W81xB,
KDL-42W80xB,
KDL-42/32W70xB (1)



Jalusta (sisältyy toimitukseen)

H



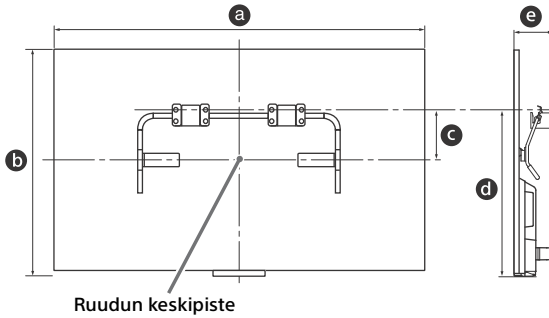
Seinäasennusalustan ruuvit (halkaisija 8 mm, ei kuulu toimitukseen)

KDL-50W82xB,
KDL-50W81xB,
KDL-50W80xB,
KDL-50W70xB (8)
KDL-42W82xB,
KDL-42W81xB,
KDL-42W80xB,
KDL-42/32W70xB (4)

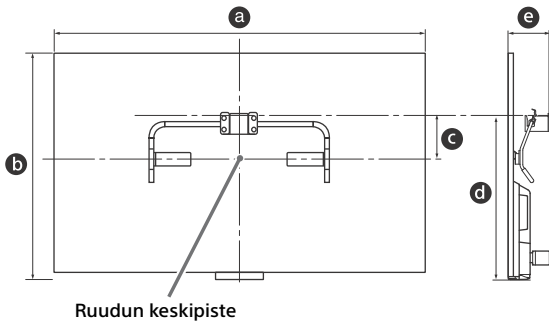
2 Varmista, että seinä on riittävän iso ja pystyy kantamaan vähintään neljä kertaa TV:n painon.

Katso seuraava taulukko asennettaessa TV seinälle. Katso TV:n paino sivulta 15-17 (Tekniset tiedot)

KDL-50W82xB, KDL-50W81xB, KDL-50W80xB, KDL-50W70xB



KDL-42W82xB, KDL-42W81xB, KDL-42W80xB, KDL-42/32W70xB



Laite: cm

Mallinimi KDL-	Näytön mitat		Ruudun keskikohdan mitta	Asennuspituus	
	a	b	c	d	e
50W82xB/ 50W81xB/ 50W80xB/ 50W70xB	111,6	65,6	13,0	46,9	11,8
42W82xB/ 42W81xB/ 42W80xB/ 42W70xB	95,8	56,3	17,5	46,5	11,8
32W70xB	72,9	43,3	18,8	41,3	11,3

Huomautus

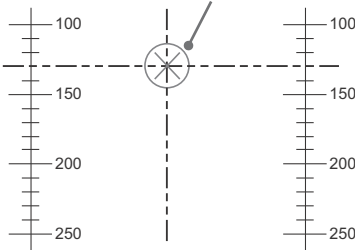
- Taulukon mitat voivat vaihdella hieman asennuksen mukaan.

3 Tee paperimalliin (A) merkki, joka ilmaisee TV-ruudun keskikohtan.

KDL-50W82xB, KDL-50W81xB,
KDL-50W80xB, KDL-50W70xB

Asteikko paperimallissa (A)

Mallin KDL-50W82xB, KDL-50W81xB,
KDL-50W80xB, KDL-50W70xB merkki

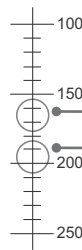


KDL-42W82xB, KDL-42W81xB,
KDL-42W80xB, KDL-42/32W70xB

Asteikko paperimallissa (A)

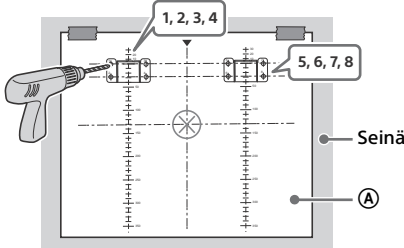
Mallin KDL-42W82xB,
KDL-42W81xB, KDL-42W80xB,
KDL-42W70xB merkki

Mallin KDL-32W70xB merkki

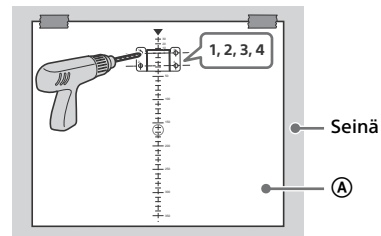


4 Kiinnitä paperimalli (A) teipillä seinään ja poraa sähköporalla reiät paperimallin (A) numeroinnin mukaan.

KDL-50W82xB, KDL-50W81xB,
KDL-50W80xB, KDL-50W70xB



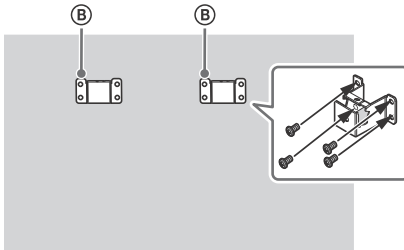
KDL-42W82xB, KDL-42W81xB,
KDL-42W80xB, KDL-42/32W70xB



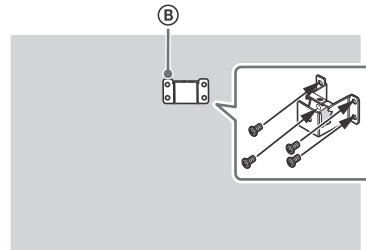
5 Poista paperimalli (A) seinästä.

6 Kiinnitä seinäasennusalusta (B) seinään käyttämällä ruuveja (halkaisija 8 mm, ei kuulu toimitukseen).

KDL-50W82xB, KDL-50W81xB,
KDL-50W80xB, KDL-50W70xB

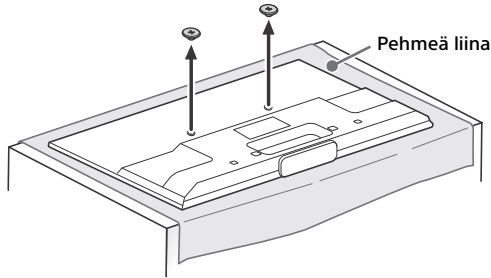


KDL-42W82xB, KDL-42W81xB,
KDL-42W80xB, KDL-42/32W70xB



TV:n asennuksen valmistelu

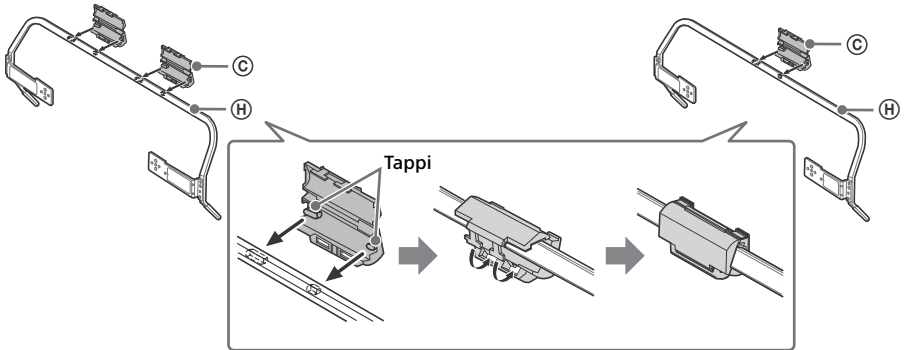
- 1 Irrota ruuvit TV:n takaa. Säilytä irrotetut ruuvit varmassa paikassa lasten ulottumattomissa.



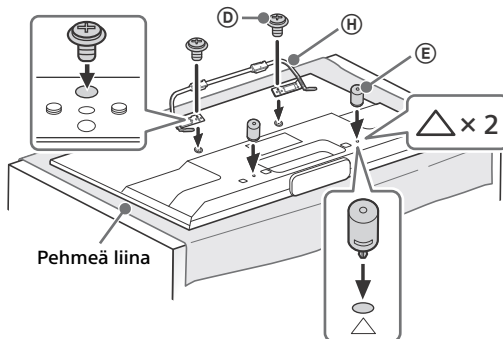
- 2 Työnnä tappi (jalustan suoja ©) jalustassa ④ olevaan reikään ja taita sitten jalustan suoja © ylös. Tarkista, että jalustan suoja © on kiinnitetty kunnolla jalustaan ④.

KDL-50W82xB, KDL-50W81xB,
KDL-50W80xB, KDL-50W70xB

KDL-42W82xB, KDL-42W81xB,
KDL-42W80xB, KDL-42/32W70xB

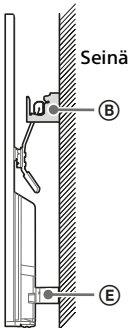
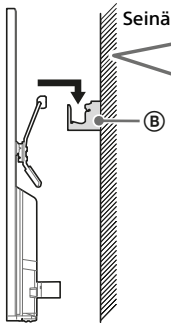


- 3 Kiinnitä jalusta ④ TV-vastaanottimeen toimitetuilla ruuveilla ⑤. Kiinnitä välitteet ⑥ reikiin, jotka on merkitty kolmioilla △. Kuvissa on käytetty mallia KDL-50W82xB, KDL-50W81xB, KDL-50W80xB, KDL-50W70xB.

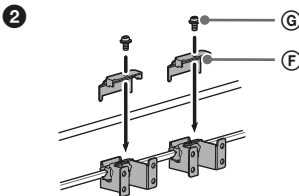
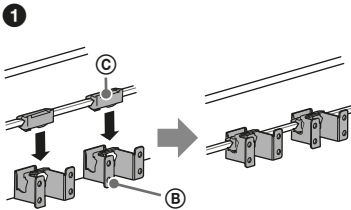


TV:n asennus seinään

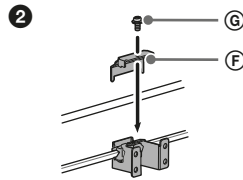
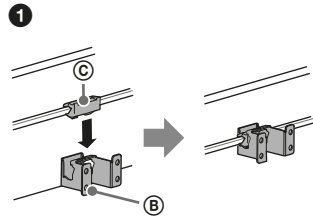
- 1 Muista liittää ja niputtaa johdot ennen TV:n asennusta seinälle.
- 2 Asenna TV seinälle. Tarkista sitten, että jalustan suoja © on kunnolla kiinni seinäasennusalustassa (B) ja että välikkeet (E) koskevat seinään. Kiinnitä kiinnikkeen suojalevy (F) toimitetuilla ruuveilla (G).



KDL-50W82xB, KDL-50W81xB,
KDL-50W80xB, KDL-50W70xB



KDL-42W82xB, KDL-42W81xB,
KDL-42W80xB, KDL-42/32W70xB



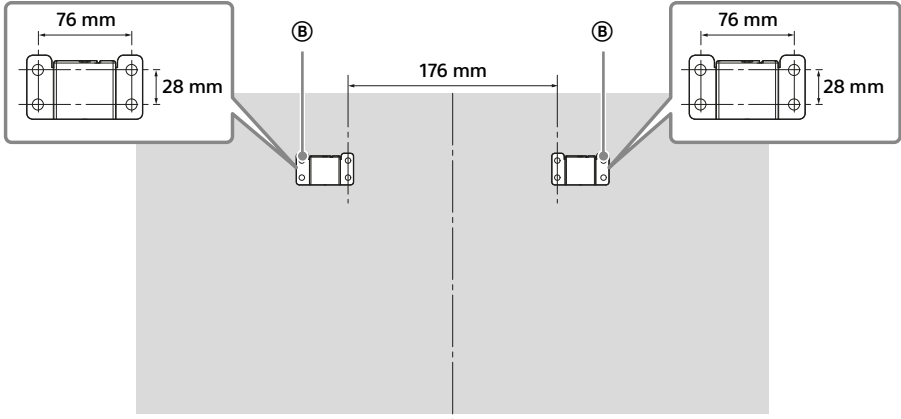
Reikien paikkojen mitat seinässä

Ilmoita tarvittaessa seuraavat valtuutetuille asentajille.

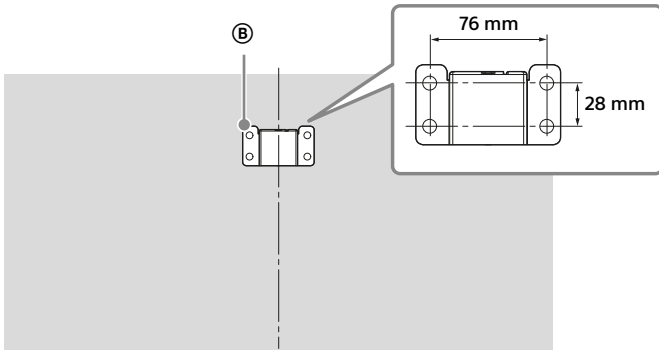
Asenna seinäasennusjalusta **(B)** seinään ruuveilla (halkaisija 8 mm, ei kuulu toimitukseen).

Muista käyttää toimitettua paperimallia **(A)**, joka näyttää seinäasennusjalustan oikean paikan seinässä ja helpottaa asennusta.

KDL-50W82xB, KDL-50W81xB, KDL-50W80xB, KDL-50W70xB



KDL-42W82xB, KDL-42W81xB, KDL-42W80xB, KDL-42/32W70xB



Voit katsoa seuraavalta verkkosivustolta ohjeita siitä, kuinka seinäasennuskiinnitin asennetaan televisiomalliisi: www.sony.eu/tv/wall-mount-bracket-manual

Vianetsintä

Kun valaistuksen LED vilkkuu punaisena, laske kuinka monta kertaa se välähtää (3 sekunnin välein).

Jos valaistuksen LED vilkkuu punaisena, nollaa TV irrottamalla verkkovirtajohto TV:stä kahdeksi minuutiksi, ja kytke sitten virta TV:hen.

Jos ongelma ei korjaannu, ota yhteys jälleenmyyjäsi tai Sonyn huoltokeskukseen ja ilmoita valaistuksen LED:in punaisten välkähdysten määrä (vilkkuu kolmen sekunnin välein). Katkaise virta TV:stä painamalla I/⏻, irrota verkkovirtajohto pistorasiasta ja ilmoita asiasta jälleenmyyjälle tai Sonyn huoltokeskukseen.

Jos valaistuksen LED ei vilku, tarkista alla olevissa taulukoissa mainitut kohdat.

Voit myös katsoa [Vianmääritys] i-Manual-oppaasta tai suorittaa itsediagnoosin valitsemalla ? [Ohje] → [Asiakastuki] → [Itsediagnostiikka]. Jos ongelma ei korjaannu, anna valtuutetun huoltohenkilöstön huoltaa TV-vastaanotin.

Ongelmat ja ratkaisut

Kuva ei näy (ruutu on pimeänä) eikä ääntä kuulu.

- Tarkista antenni-/kaapelikytkentä.
- Kytke TV verkkovirtaan ja paina I/⏻ TV:stä tai kaukosäätimestä.

Joitakin ohjelmia ei voi viritellä.

- Tarkista antenni tai lautanen.
- Satelliittikaapelissa voi olla oikosulku tai kaapelissa voi olla yhteysongelmia. Tarkista kaapeli ja yhteys, ja sammuta sitten televisio virtakytimestä ja kytke se takaisin päälle.
- Antamasi taajuus voi olla alan ulkopuolella. Kysy tietoja satelliittilähetyshyhtiöltä.

Kaapelitelevisiopalveluja (ohjelmia) ei löydy.

- Tarkista kaapeliliitäntä tai viritysasetykset.
- Kokeile suorittaa [Automaattiviritys] valitsemalla [Antenni] valinnan [Kaapeli] sijasta.

Kaukosäädin ei toimi.

- Vaihda paristot.
- Televisio saattaa olla SYNC-tilassa. Paina television ohjaamiseksi SYNC MENU, valitse [TV-ohjaus] ja valitse sitten [Home (valikko)] tai [Vaihtoehdot].

[Katselun esto] -salasana on unohtunut.

- Syötä PIN-koodiksi 9999. (Televisio hyväksyy aina oletusarvoisen PIN-koodin 9999.)

Television kehys lämpenee.

- Kun televisio on päällä pitkään, sen kehys lämpenee. Kädellä koskettaessa se voi tuntua kuumalta.

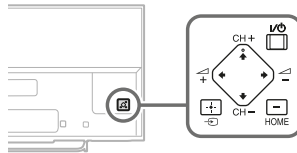
Pysähtynyt ääni tai kuva, tyhjä näyttö tai televisio ei reagoi television tai kaukosäätimen painikkeisiin.

- Suorita yksinkertainen television asetusten palautus irrottamalla virtajohto kahdeksi minuutiksi ja liitä se tämän jälkeen takaisin pistorasiaan.

Painikkeita I/⏻, CH+/-, ▲+/-, ◆/◆/◆/◆, ⏻, [Pois] ja HOME ei löydy TV:stä.

- Katso painikkeiden sijainti TV:ssä alla olevasta kuvasta.

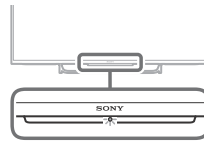
TV:n takasivu



Valaistuksen LED syttyy.

- Jos et halua syyttää valaistuksen LED-valoa, se voidaan sammuttaa.

Paina **HOME** ja valitse sitten [Asetukset] → [Järjestelmäasetukset] → [Yleiset asetukset] → [Valaistuksen LED] → [Pois]. Voit myös painaa **OPTIONS** ja valita sitten [Valaistuksen LED] → [Pois].



Ei muodosta yhteyttä langattomaan reitittimeen WPS:llä.

- Jos käytät WEP-suojausta, valitse [Helppo] → [Wi-Fi] → [Yhdistä hakuluettelosta]. Valitse sitten verkon nimi (SSID), johon haluat muodostaa yhteyden.

Halutun verkon nimeä ei löydy verkkoasetuksista.

- Valitse [[Syötä käsin]] ja syötä verkon nimi painamalla ⊕.

Tekniset tiedot

Järjestelmä

Näyttöpaneeli

LCD-paneeli (nestekidenäyttö), LED-taustavalvo

TV-järjestelmä

Analoginen: Maa/alue-valinnasta riippuen:

B/G, D/K, L, I, M

Digitaalinen: DVB-T/DVB-C
DVB-T2

Satelliitti: DVB-S/DVB-S2

Väri-/kuvajärjestelmä

Analoginen: PAL, SECAM, NTSC3.58, NTSC4.43

Digitaalinen: Katso i-Manual-opas.

Kanavien näkyvyysalue

Analoginen: UHF/VHF/kaapeli, Maa/alue-valinnasta riippuen.

Digitaalinen: UHF/VHF/kaapeli, Maa/alue-valinnasta riippuen.

Satelliitti: IF-taajuus 950-2150 MHz

Äänentoisto

8 W + 8 W (paitsi KDL-32W70xB)

5 W + 5 W (vain KDL-32W70xB)

Langaton teknologia

Protokolla IEEE802.11a/b/g/n

Tulo-/lähtöliitännät

Antennijohto

75 ohmin ulkoinen liitäntä VHF/UHF-liittimelle

Satelliittiantenni

Naaraspuolinen F-tyypin liitin IEC169-24, 75 ohm.

DiSEqC 1.0, LNB 13 V/18 V & 22 kHz ohjaus,

Yhden kaapelin jakelu EN50494.

AV1

21-nastainen Scart-liitin (CENELEC-standardi), sisältää audio-/videotulon, RGB-tulon ja television audio-/videolähdön.

COMPONENT IN

YPbPr (komponenttideo): 1080p (50, 60 Hz), 1080i (50, 60 Hz), 720p (50, 60 Hz), 576p, 576i, 480p, 480i

Audiotulo (RCA-liitännät)

AV2

Videotulo (tavallinen RCA-liitäntä Y-tulolla)

HDMI IN 1, 2, 3, 4 (paitsi KDL-50/42/32W70xB)

Video (2D): 1080p (30, 50, 60 Hz), 1080/24p, 1080i (50, 60 Hz), 720p (30, 50, 60 Hz), 720/24p, 576p, 576i, 480p, 480i, PC-muodot

Video (3D):

Frame Packing -tila: 1080p (30 Hz), 1080/24p, 1080i (50, 60 Hz), 720p (30, 50, 60 Hz), 720/24p
Side-by-Side -tila: 1080p (50, 60 Hz), 1080/24p, 1080i (50, 60 Hz), 720p (50, 60 Hz)
Over-Under -tila: 1080p (30, 50, 60 Hz), 1080/24p, 1080i (50, 60 Hz), 720p (50, 60 Hz)

Audio: 5.1-kanavainen lineaarinen PCM: 32, 44,1 ja 48 kHz, 16, 20 ja 24 bittiä, Dolby Digital ARC (Audio Return Channel) (vain HDMI IN 2)

HDMI IN 1, 2, 3, 4 (vain KDL-50/42/32W70xB)

Video: 1080p (30, 50, 60 Hz), 1080/24p, 1080i (50, 60 Hz), 720p (30, 50, 60 Hz), 720/24p, 576p, 576i, 480p, 480i, PC-muodot
Audio: 5.1-kanavainen lineaarinen PCM: 32, 44,1 ja 48 kHz, 16, 20 ja 24 bittiä, Dolby Digital ARC (Audio Return Channel) (vain HDMI IN 2)

MHL (yhteinen HDMI IN 1 -liitännän kanssa)

(paitsi KDL-50/42/32W70xB)

Video (2D): 1080p (30 Hz), 1080/24p, 1080i (50, 60 Hz), 720p (30, 50, 60 Hz), 720/24p, 576p, 576i, 480p, 480i

Video (3D):

Side-by-Side -tila: 1080/24p, 1080i (50, 60 Hz), 720p (50, 60 Hz)

Over-Under -tila: 1080p (30 Hz), 1080/24p, 1080i (50, 60 Hz), 720p (50, 60 Hz)

Audio: 5.1-kanavainen lineaarinen PCM: 32, 44,1 ja 48 kHz, 16, 20 ja 24 bittiä, Dolby Digital

MHL (yhteinen HDMI IN 1 -liitännän kanssa)

(vain KDL-50/42/32W70xB)

Video: 1080p (30 Hz), 1080/24p, 1080i (50, 60 Hz), 720p (30, 50, 60 Hz), 720/24p, 576p, 576i, 480p, 480i

Audio: 5.1-kanavainen lineaarinen PCM: 32, 44,1 ja 48 kHz, 16, 20 ja 24 bittiä, Dolby Digital

DIGITAL AUDIO OUT (OPTICAL)

Optinen digitaaliliitäntä (kaksikanavainen lineaarinen PCM, Dolby Digital)


AUDIO OUT

Audiolähtö (stereominiliitäntä)

Kuulokeliitäntä

(tuki Subwoofer-lähtö)

HDD REC, PS2

USB-kiintolevyliitännän liitäntä (vain  PS2), USB-liitäntä

Maksu-TV-moduulin (CAM) paikka

DC IN 19.5 V

Verkkolaitteen tuloliitäntä

LAN

10BASE-T/100BASE-TX-liitäntä (Yhteysnopeus voi vaihdella verkon käyttöympäristön mukaan.

10BASE-T/100BASE-TX-tiedonsiirtonopeutta ja laatua ei taata tässä televisiossa.)

Muita tietoja

Lisävarusteet

Touchpad-kaukosäädin: RMF-ED004
Kamera- ja mikrofoniyksikkö: CMU-BR200/
CMU-BR100
Langaton bassokaiutin: SWF-BR100
MHL-kaapeli: DLC-MB10/DLC-MB20/DLC-MC10/
DLC-MC20
Aktiiviset 3D-lasit: TDG-BT500A (vain
KDL-50W82xB, KDL-50W81xB, KDL-50W80xB)



Passiiviset 3D-lasit: TDG-500P (vain
KDL-42W82xB, KDL-42W81xB, KDL-42W80xB)



Käyttölämpötila

0 °C – 40 °C

Käytön ilmastokosteus

10 % – 80 % RH (ei-kondensoiva)

Virta ja muut

Käyttöjännite

19,5 V DC verkkolaitteella
Nimellisarvo: käyttöjännite 220 V - 240 V AC,
50 Hz

Energiatehokkuusluokka

KDL-50W82xB, KDL-50W81xB, KDL-50W80xB,
KDL-50W70xB: A++
KDL-42W82xB, KDL-42W81xB, KDL-42W80xB,
KDL-42W70xB: A+
KDL-32W70xB: A

Näytön koko (halkaisija) (Noin)

KDL-50W82xB, KDL-50W81xB, KDL-50W80xB,
KDL-50W70xB: 50 tuumaa / 125,7 cm
KDL-42W82xB, KDL-42W81xB, KDL-42W80xB,
KDL-42W70xB: 42 tuumaa / 106,7 cm
KDL-32W70xB: 32 tuumaa / 80,1 cm

Virrankulutus

[Vakio] -tilassa

KDL-50W82xB, KDL-50W81xB, KDL-50W80xB,
KDL-50W70xB: 51 W
KDL-42W82xB, KDL-42W81xB, KDL-42W80xB,
KDL-42W70xB: 50 W
KDL-32W70xB: 39 W

[Kirkas] -tilassa

KDL-50W82xB, KDL-50W81xB, KDL-50W80xB,
KDL-50W70xB: 100 W
KDL-42W82xB, KDL-42W81xB, KDL-42W80xB,
KDL-42W70xB: 99 W
KDL-32W70xB: 80 W

Keskimääräinen vuotuinen energiankulutus*1

KDL-50W82xB, KDL-50W81xB, KDL-50W80xB,
KDL-50W70xB: 71 kWh
KDL-42W82xB, KDL-42W81xB, KDL-42W80xB,
KDL-42W70xB: 69 kWh
KDL-32W70xB: 54 kWh

Virrankulutus valmiustilassa*2

0,5 W (10 W ohjelmiston/elektronisen
ohjelmaoppaan päivitystilassa)

Näytön erottelutarkkuus

1 920 pistettä (vaaka) × 1 080 viivaa (pysty)

Mitat (Noin) (l × k × s)

pöytäalustan kanssa

KDL-50W82xB, KDL-50W81xB, KDL-50W80xB,
KDL-50W70xB: 111,6 × 69,3 × 17,9 cm
KDL-42W82xB, KDL-42W81xB, KDL-42W80xB,
KDL-42W70xB: 95,8 × 60,0 × 17,0 cm
KDL-32W70xB: 72,9 × 46,5 × 14,1 cm

ilman pöytäalustaa

KDL-50W82xB, KDL-50W81xB, KDL-50W80xB,
KDL-50W70xB: 111,6 × 65,6 × 6,4 cm
KDL-42W82xB, KDL-42W81xB, KDL-42W80xB,
KDL-42W70xB: 95,8 × 56,3 × 6,4 cm
KDL-32W70xB: 72,9 × 43,3 × 6,4 cm

Paino (Noin)

pöytäalustan kanssa

KDL-50W82xB, KDL-50W81xB, KDL-50W80xB,
KDL-50W70xB: 14,8 kg
KDL-42W82xB, KDL-42W81xB, KDL-42W80xB,
KDL-42W70xB: 11,7 kg
KDL-32W70xB: 7,9 kg

ilman pöytäalustaa

KDL-50W82xB, KDL-50W81xB, KDL-50W80xB,
KDL-50W70xB: 13,6 kg
KDL-42W82xB, KDL-42W81xB, KDL-42W80xB,
KDL-42W70xB: 10,5 kg
KDL-32W70xB: 6,9 kg

*1 Vuosittainen virrankulutus, joka perustuu television
4 tunnin päivittäiseen käyttöön 365 päivänä
vuodessa. Todellinen energiankulutus riippuu siitä,
miten televisiota käytetään.

*2 Mainittu valmiustilan virrankulutus on voimassa sen
jälkeen, kun televisio on suorittanut välttämättömät
sisäiset toimenpiteet.

Huomautus

- Mallin nimessä oleva merkintä "x" vastaa television rakenteeseen, väriin tai järjestelmään liittyvää yhtä numeroa.
- Älä poista valekorttia TV:n maksu-TV-moduulin (CAM) paikasta paitsi silloin, kun siihen asetetaan älykortti.
- Lisävarusteiden saatavuus riippuu maasta/alueesta/television mallista/varastotilanteesta.
- Rakennetta ja teknisiä tietoja saatetaan muuttaa siitä erikseen ilmoittamatta.
- Tämä TV-vastaanotin sisältää MHL 2 -yhteyden.

Digitaalisen television toimintaan liittyviä huomautuksia

- Digitaaliseen televisioon (DVB) liittyvät toiminnot toimivat ainoastaan maissa tai alueilla, joissa lähetetään digitaalisia maanpäällisiä signaaleja DVB-T/DVB-T2 (MPEG-2 ja H.264/MPEG-4 AVC) tai joissa on käytettävissä yhteensopiva DVB-C (MPEG-2 ja H.264/MPEG-4 AVC) -kaapelipalvelu. Tarkista jälleenmyyjältäsi, ovatko DVB-T/DVB-T2-signaalit käytettävissä asuinpaikkakunnallasi tai kysy kaapeli-TV:n palveluntarjoajalta, onko DVB-C-kaapelipalvelu yhteensopiva tämän television kanssa.
- Kaapeli-TV:n palveluntarjoaja voi veloittaa tarjoamistaan palveluista, ja sinun on mahdollisesti sitouduttava palveluntarjoajan liiketoiminnan ehtojen noudattamiseen.
- Tämä televisio noudattaa DVB-T/DVB-T2- ja DVB-C-signaalien määräyksiä, mutta yhteensopivuutta tulevien digitaalisten maanpäällisten DVB-T/DVB-T2-lähetysten ja digitaalisten DVB-C-kaapelilähetysten kanssa ei taata.
- Jotkin digitaalisen television toiminnot eivät välttämättä ole käytettävissä kaikissa maissa/kaikilla alueilla, ja DVB-C-kaapeli ei välttämättä toimi oikein kaikkien palveluntarjoajien kanssa.

Tuotemerkit

- Termit HDMI ja HDMI High-Definition Multimedia Interface sekä HDMI-logo ovat HDMI Licensing LCC:n tuotemerkkejä tai rekisteröityjä tuotemerkkejä Yhdysvalloissa ja muualla maailmassa.
- DLNA®, DLNA-logo ja DLNA CERTIFIED® ovat Digital Living Network Alliancan tuotemerkkejä, palvelumerkkejä tai sertifiointimerkkejä.
- Valmistettu Dolby Laboratories myöntämällä lisenssillä. Dolby ja kaksois-D-symboli ovat Dolby Laboratories rekisteröimiä tavaramerkkejä.
- "BRAVIA" ja BRAVIA ovat Sony Corporationin tuotemerkkejä.
- TrackID on Sony Mobile Communications AB:n tavaramerkki tai rekisteröity tavaramerkki.

- Gracenote, Gracenote eyeQ, Gracenote VideoID, Gracenote Video Explore, Gracenote MusicID, Gracenote-Logo ja -logotyyppi ja "Powered by Gracenote" -logo ovat joko Gracenoten rekisteröityjä tavaramerkkejä tai tavaramerkkejä Yhdysvalloissa ja/tai muissa maissa.
- Opera® Devices SDK from Opera Software ASA. Copyright 1995-2014 Opera Software ASA. All rights reserved.
- Wi-Fi, Wi-Fi Direct ja Miracast ovat Wi-Fi Alliancan tavaramerkkejä tai rekisteröityjä tavaramerkkejä.
- "Sony Entertainment Network -logo" ja "Sony Entertainment Network" ovat Sony Corporationin tavaramerkkejä.
- MHL, Mobile High-Definition Link ja MHL-logo ovat MHL Licensing, LLC:n tavaramerkkejä tai rekisteröityjä tavaramerkkejä.
- DTS-patentit, ks. <http://patents.dts.com>. Valmistettu DTS Licensing Limitedin lisenssillä. DTS, symboli sekä DTS ja symboli yhdessä ovat rekisteröityjä tavaramerkkejä ja DTS Digital Surround on DTS, Inc:n tavaramerkki. © DTS, Inc. Kaikki oikeudet pidätetään.
- Designed with UEI Technology™ Under License from Universal Electronics Inc. Portions © UEI 2000 – 2013
- Bluetooth®-sanamerkin ja -logot omistaa Bluetooth SIG, Inc. ja Sony Corporation käyttää niitä lisenssillä. Muut tuotemerkit ja tuotenimet ovat omistajiensa omaisuutta.
- DiSEqC™ on EUTELSATin tavaramerkki. Tässä televisiossa on DiSEqC 1.0 -tuki. Tätä televisiosta ei ole tarkoitettu moottorikäyttöisten antennien ohjaukseen.

Innhold

VIKTIG MERKNAD	2
Sikkerhets-informasjon	3
Forholdsregler	5
Montere TV-en på veggen	7
Montere brakettene på veggen	8
Gjøre klar installasjonen av TV-en	11
Montere TV-en på veggen	12
Feilsøking	14
Problemer og løsninger	14
Spesifikasjoner	15

Introduksjon

Takk for at du valgte dette Sony-produktet. Les gjennom denne håndboken før du begynner å bruke TV-en, og ta vare på den for fremtidig referanse.

Merknader

- Les "Sikkerhets-informasjon" (side 3) før du betjener TV-en.
- Instruksjoner om å "Montere TV-en på veggen" er inkludert i bruksanvisningen til denne TV-en.
- Bilder og illustrasjoner som brukes i Hurtigstartguide og denne håndboken er kun ment for din referanse og kan avvike fra produktets faktiske utseende.

Plassering av identifikasjonsmerket

Etiketter for TV-modellnr., produksjonsdato (måned/år) og strømforstyringsrangering er plassert på baksiden av TV-en eller esken.

Etiketter for strømadapterens modellnummer og serienummer finnes under strømadapteren.

ADVARSEL

FOR Å HINDRE
SPREDNING AV BRANN
SKAL STEARINLYS OG ALLE
ANDRE FORMER FOR ÅPEN
ILD HOLDES BORTE FRA
DETTE PRODUKTET TIL
ENHVER TID.



VIKTIG MERKNAD

Dette produktet er produsert av eller på vegne av Sony Corporation 1-7-1 Konan Minato-ku Tokyo, 108-0075 Japan. Henvendelser relatert til produkt samsvar basert på Europeisk Unions lovgivning skal adresseres til autorisert representant, Sony Deutschland GmbH, Hedelfinger Strasse 61, 70327 Stuttgart, Tyskland. For service eller garanti saker, vennligst referer til adresse som nevnt i separat service eller garanti dokument.

Merknad til trådløse signaler

Sony Corporation erklærer herved at utstyret er i samsvar med de grunnleggende krav og øvrige relevante krav i direktiv 1999/5/EF.

For flere detaljer, vennligst se:

<http://www.compliance.sony.de/>

Merknad for kunder: Følgende informasjon gjelder kun for utstyr som er solgt i land som anvender EU-direktivene.

Trådløst TV-system kan brukes i følgende land:

AT, BE, HR, CY, CZ, DK, EE, FI, FR, DE, GR, HU, IE, IT, LV, LT, LU, MT, NL, PL, PT, SK, SI, ES, SE, GB, IS, LI, NO, CH, BG, RO, TR, AL, BA, MK, MD, RS, ME

Dette utstyret kan betjenes i andre land utenfor Europa.



Sikkerhets-informasjon

ADVARSEL

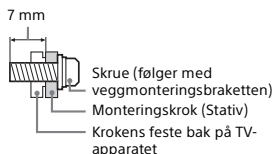
Batterier må ikke utsettes for overdreven hete, som solskinn, ild eller lignende.

Installasjon/oppsett

Installer og bruk TV-apparatet i samsvar med instruksjonene nedenfor for å unngå risiko for brann, elektrisk støt eller annen skade og/eller personskader.

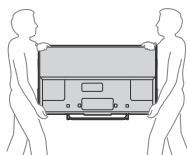
Installasjon

- TV-en bør installeres i nærheten av en lett tilgjengelig stikkontakt.
 - Plasser TV-en på en stabil, plan overflate for å unngå at den faller ned og forårsaker personskade eller skade på TV-en.
 - Kun kvalifisert servicepersonell må gjennomføre eventuell installasjon på vegg.
 - Av sikkerhetsgrunner anbefales det på det sterkeste at du bruker tilleggsutstyr fra Sony, som omfatter:
– Veggmonteringsbrakett
 - Sørg for at du bruker skruene som følger med veggmonteringsbraketten når du fester monteringskrokene (stativ) til TV-en. De medfølgende skruene er utformet som vist på illustrasjonen målt fra monteringskrokens overflate (stativ). Skruenes diameter og lengde varierer i forhold til veggmonteringsbrakettens modell.
- Hvis du bruker andre skruer enn de som følger med, kan TV-apparatet bli skadet inni eller det kan falle ned osv.



Bæring

- Før du bærer TV-apparatet, må du koble fra alle kablene.
- Et stort TV-apparat må bæres av to eller flere personer.
- Når du transporterer TV-en for hånd, må du holde den som vist under. Ikke utsett LCD-skjermen og rammen rundt for pressbelastning.



- Ikke utsett TV-apparatet for støt eller sterke vibrasjoner når du flytter det.
- Når du leverer inn TV-apparatet på grunn av reparasjon eller hvis du flytter, bør du transportere det i originalemballasjen.

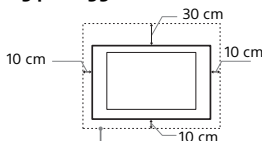
Forhindre velting

- Før du installerer maskinskruen, legger du skjermen med forsiden vendt ned på en stabil arbeidsoverflate som er større enn TV-en.
- For å forhindre at du skader overflaten til LCD-skjermen må du bruke en myk klut på arbeidsoverflaten.

Ventilasjon

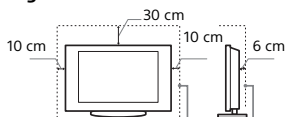
- Ventilasjonsåpningene må aldri tildekkes, og du må aldri stikke gjenstander inn i kabinettet.
- La det være plass rundt TV-apparatet, som vist under.
- Det anbefales på det sterkeste at du bruker en veggmonteringsbrakett som er godkjent av Sony for å oppnå tilstrekkelig luft sirkulasjon.

Installering på vegg



La det være minst så mye plass rundt TV-apparatet.

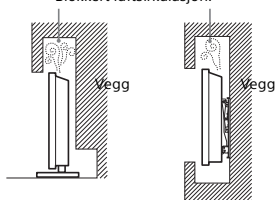
Installering med sokkel



La det være minst så mye plass rundt TV-apparatet.

- For å sikre tilstrekkelig ventilasjon og forhindre at det samler seg støv eller smuss:
– Ikke legg TV-apparatet ned på ryggen, ikke installer det oppned, bak-frem eller på skrått.
– Ikke plasser TV-apparatet på en hylle, et teppe, en seng eller i et skap.
– Ikke dekk til TV-apparatet med et klede, som for eksempel gardiner, eller andre ting som for eksempel aviser osv.
– Ikke installer TV-apparatet som vist under.

Blokkert luft sirkulasjon.



Nettledning

- Håndter nettledningen og støpselet som følger for å unngå risiko for brann, elektrisk støt eller annen skade og/eller personskader:
- Bruk kun nettledninger som er levert av Sony, ikke av andre leverandører.
 - Stikk støpselet helt inn i stikkkontakten.
 - Koble TV-apparatet kun til en strømforsyning på 220-240 V vekselstrøm.
 - Før du legger kablene, pass på at nettledningen er frakoblet for din egen sikkerhets skyld og pass på at du ikke snubler i kablene.
 - Trekk ut støpselet med nettledningen før du utfører arbeider eller flytter TV-apparatet.
 - Hold nettledningen unna varmekilder.
 - Trekk ut støpselet og rengjør det regelmessig. Støv på støpselet opptrer fuktighet, som kan medføre at isolasjonen forringes. Dermed kan det oppstå brann.

Merknader

- Ikke bruk den vedlagte nettledningen til annet utstyr.
- Ikke klem, bøy eller vri nettledningen for mye. Trådene i lederne kan bli blottlagt eller brytes av.
- Ikke foreta endringer på nettledningen.
- Ikke sett tunge gjenstander på nettledningen.
- Ikke trekk i selve nettledningen når du kobler fra strømmen.
- Ikke koble for mange apparater til den samme stikkkontakten.
- Ikke bruk stikkontakter som er i dårlig stand.

NO

MERKNAD OM STRØMADAPTER

Advarsel

For å redusere risikoen for brann eller elektrisk støt, må ikke dette apparatet utsettes for regn eller fukt.

For å forhindre fare for brann eller sjokk, ikke plasser objekter som er fylt med væsker, som vaser, på apparatet. Ikke installer dette utstyret i et innestengt område, som i en bokhylle eller lignende enhet.

- Sørg for at stikkkontakten er installert nær utstyret og er lett tilgjengelig.
- Sørg for at du bruker den medfølgende vekselstrømadapteren og strømledningen.
- Bruk aldri noen annen strømadapter. Dette kan føre til funksjonsfeil.
- Koble strømadapteren til en lett tilgjengelig stikkontakt.
- Ikke snurr strømledningen rundt strømadapteren. Ledningen kan kuttes og/eller det kan forårsake en feilfunksjon på mediemottakeren.



- Ikke ta på strømadapteren med våte hender.
- Hvis du merker noe unormalt med strømadapteren, må du koble den fra stikkkontakten øyeblikkelig.
- Selv om fjernsynet er slått av, er den ikke koblet fra strømmen så lenge det er koblet til stikkkontakten.
- Siden strømadapteren vil bli varm når den brukes for lengre tid, kan den kjennes varm ut når du tar på den.

Forbudt bruk

Ikke installer/bruk TV-apparatet på steder, i omgivelser eller situasjoner som de som er oppført nedenfor, ellers kan TV-apparatet fungere feil og forårsake brann, elektrisk støt, skader og/eller personskader.

Steder:

- Utendørs (i direkte sollys), ved vannkant, på et skip eller andre fartøy, i et kjøretøy, i medisinske situasjoner, ustabile posisjoner, i nærheten av vann eller regn, fuktighet eller røyk.
- Hvis TV-en plasseres i garderoben til et offentlig bad eller varm kilde, kan TV-en bli skadet av luftbåren svovel, osv.



- For den beste bildekvaliteten, må du ikke utsette skjermen for direkte opplysning eller direkte sollys.
- Du bør unngå å flytte TV-en fra et kaldt til et varmt område. Plutselige endringer i romtemperaturen kan forårsake kondens. Dette kan føre til at et bilde av lav kvalitet og/eller farge av lav kvalitet vises på TV-en. Hvis dette skjer, må du la all fuktighet fordampe helt før du slår på TV-en.

Omgivelser:

- Steder som er varme, fuktige eller særlig støvet; slik at insekter har adgang; hvor det kan bli utsatt for mekanisk vibrasjon, i nærheten av åpen ild (stearinlys osv). TV-apparatet må ikke utsettes for vanndråper eller vannsprut. Det må ikke plasseres gjenstander som er fylt med væske oppå TV-en (f.eks. blomstervase).
- Ikke plasser TV-en på et sted som er støvete eller fuktig, eller i et rom med oljete røyk eller damp (nær mattilberedningsbord eller luftfukttere). Dette kan føre til brann, elektrisk støt eller misdannelser på TV-en.
- Ikke installer TV-en på steder som er utsatt for ekstreme temperaturer, som i direkte sollys, nær en radiator eller en varmeventil. På slike steder kan TV-en bli for varm og dette kan føre til deformering av kabinettet og/eller feilfunksjon.



Situasjoner:

- Ikke bruk apparatet når du er våt på hendene, når kabinettet er tatt av eller når det er tilkoblet utstyr som ikke er anbefalt av produsenten. Trekk ut støpselet fra stikkkontakten og koble fra antenneledningen når det lyner.
- Ikke installer TV-en slik at den stikker ut i et åpent rom. En person eller gjenstand kan dunke borti TV-en og dette kan føre til skade på TV-en eller personskade.



Knuselig glass:

- Ikke kast noe på TV-apparatet. Glasset i skjermen kan knuse og forårsake alvorlig personskade.
- Hvis overflaten på TV-apparatet sprekker, må du ikke berøre det før du har trukket ut støpselet. Ellers kan du få elektrisk støt.

Når TV-en ikke er i bruk

- Hvis TV-apparatet ikke skal brukes noen dager, bør du stille apparatet fra strømmettet av miljøhensyn og sikkerhetsgrunner.
- Siden TV-en ikke er koblet fra strømmettet når du bare slår det av, må du trekke støpselet ut av stikkkontakten for å koble TV-apparatet fullstendig fra.
- Enkelte TV-apparater har imidlertid funksjoner som krever at apparatet står på i hvilemodus for at de skal fungere korrekt.

Barns sikkerhet

- Ikke la barn klatre på TV-apparatet.
- For å unngå at små barn kan svelge mindre deler, hold disse delene av tilleggsutstyret unna barns rekkevidde.

Hvis følgende problemer oppstår...

Slå av TV-apparatet og trekk ut støpselet fra strømmettet øyeblikkelig dersom følgende problemer oppstår.

Be forhandleren din eller ditt Sony servicecentre om å få TV-en kontrollert av kvalifisert servicepersonell.

Dersom:

- Nettkabelen er skadet.
- Stikkontakter er i dårlig stand.
- TV-apparatet er skadet fordi det har falt ned, vært utsatt for støt eller det er kastet noe på det.
- Det er kommet væske eller gjenstander inn i åpningene på kabinettet.

Om temperaturen på LCD-skjermen

Når LCD-skjermen brukes over lengre tid, kan panelet rundt bli varmt. Du kan føle varmen når du berører dette området.

Advarsel

Utstyr som er jordet via nettplugg og/eller via annet jordtilkoblet utstyr – og samtidig er tilkoblet et kabel - Tv nett, kan forårsake brannfare.

For å unngå dette skal det ved tilkobling av utstyret til kabel-TV nettet installeres et galvanisk skille mellom utstyret og kabel-TV nettet.

VEGGMONTERINGSBRACKETT

Informasjonen under viser korrekt håndtering av veggmonteringsbraketten. Les nøye gjennom denne informasjonen og bruk veggmonteringsbraketten på riktig måte.

Til kunder:

Overhold følgende forholdsregler for sikkerhet for å forhindre alvorlig personskade fra brann, elektrisk støt, velting av produktet eller at produktet faller ned.

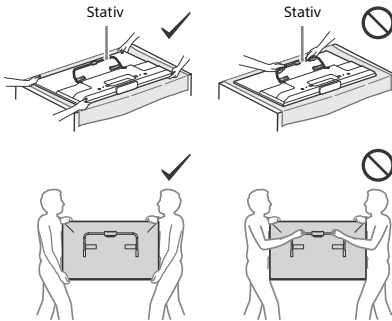
- Overlat installasjonen til lisensierte entreprenører og hold små barn borte under installasjonen.
- Overlat flytting eller demontering av TV-en til lisensierte entreprenører.
- Ikke fjern skruer, osv., etter at TV-en er montert.
- Ikke gjør endringer på delene til veggmonteringsbraketten.
- Ikke monter noe annet utstyr enn det spesifiserte produktet.
- Ikke påfør noen annen vekt enn den fra TV-en på veggmonteringsbraketten.
- Ikke len eller heng fra TV-en.

- Ikke håndter TV-en med ekstrem kraft under rengjøring eller vedlikehold.

Til Sony-forhandlere og -entreprenører:

Følgende anvisninger er bare for Sony-forhandlere og -leverandører. Les sikkerhetsforholdsreglene beskrevet under og legg spesielt merke til sikkerheten under installasjon, vedlikehold og kontroll av dette produktet.

- Når du håndterer eller monterer TV-en, må du holde den etter sidene. Ikke løft TV-en etter stativet.



- Ikke monter veggmonteringsbraketten på veggoverflater hvor hjørnene eller sidene av TV-en stikker frem fra veggoverflaten.



- Ikke installer TV-en over eller under et klimaanlegg.
- Sørg for at du monterer veggmonteringsbraketten sikkert på veggene etter instruksjonene i denne bruksanvisningen. Dersom en av skruene er løs eller faller ut, kan veggmonteringsbraketten falle ned og forårsake skade på person eller eiendom.
- Sørg for at du bruker de inkluderte skruene og tilkoblingsdeler på riktig måte etter instruksjonene gitt i denne bruksanvisningen. Dersom du bruker erstattede deler, kan TV-en falle ned og forårsake personskade eller skade på TV-en.
- Sørg for at du monterer braketten riktig etter anvisninger forklart i denne bruksanvisningen.
- Sørg for at du strammer til skruene på riktig måte i designert posisjon.
- Vær forsiktig så TV-en ikke utsettes for støt under installasjon.
- Sørg for at du installerer TV-en på en vegg som er både vinkelrett og flat.
- Etter riktig installasjon av TV-en, må du feste kablene på riktig måte.
- Ikke la strømledningen eller koblingskablene komme i klem da interne ledere kan eksponeres og forårsake en kortslutning eller et elektrisk brudd.



Forholdsregler

Se på TV

- Noen kan oppleve ubehag (slik som slite øyne, tretthet eller kvalme) mens de ser på 3D-videobilder eller spiller stereoskopiske 3D-spill. Sony anbefaler at alle seere tar regelmessige pauser mens de ser på 3D-videobilder eller spiller stereoskopiske 3D-spill. Hvor lenge og hvor ofte man bør ta en pause varierer fra person til person. Du må bestemme hva som fungerer best. Hvis du opplever noe slags ubehag, bør du slutte å se på 3D-videobilder eller spille stereoskopiske 3D-spill til ubehaget forsvinner. Ta kontakt med en lege hvis du mener det er nødvendig. Du bør også lese gjennom (i) bruksanvisningen til enhver annen enhet eller media som brukes med dette fjernsynet og (ii) vårt nettsted (<http://support.sony-europe.com/>) for å få den nyeste informasjonen. Synet til små barn (særlig dem under seks år) er fortsatt under utvikling. Kontakt en lege (for eksempel en barnelege eller øyelege) før du tillater små barn å se 3D-videobilder eller spille stereoskopiske 3D-spill. Voksne bør ha oppsyn med barn og sørge for at de følger anbefalingene ovenfor.
- Du må ikke bruke, oppbevare eller la 3D Brillen eller batteriet ligge i nærheten av flammer, eller på steder med høy temperatur, f.eks. i direkte sollys eller i biler som står i sola.
- Når den simulerte 3D-funksjonen benyttes, vil det viste bildet være en konvertert utgave av originalen.
- Se på TV-apparatet i moderat belysning, da det sliter på øynene å se på TV-apparatet i dårlig lys over lengre tidrom.
- Når du bruker hodetelefoner, justerer du lydvolument slik at det ikke blir for kraftig, så unngår du hørselsskader.

LCD-skjerm

- Selv om LCD-skjermen er produsert med høypresisjonsteknologi og 99,99% eller mer av pikslene er effektive, kan det opptre svarte punkter eller lyspunkter (røde, blå eller grønne) konstant på LCD-skjermen. Dette er en egenskap LCD-skjerm har, og ingen feil.
- Ikke trykk på eller rip i frontfilteret, og ikke plasser noe oppå dette TV-apparatet. Bildet kan bli ujevnt eller LCD-skjermen kan bli ødelagt.
- Hvis dette TV-apparatet brukes på kalde steder, kan bildet bli uregelmessig eller mørkt. Dette er ingen feil. Det forsvinner når temperaturen øker.
- Spøkelsesbilder kan opptre når stillbilder vises kontinuerlig. Disse forsvinner etter en stund.
- Skjermen og kabinetet kan bli varmt når du bruker apparatet. Dette er ikke en feil på produktet.
- LCD-skjermen inneholder en liten mengde flytende krystaller. Følg lokale lover og forskrifter for avfallsbehandling.

Håndtering og rengjøring av skjermflaten/kabinetet på TV-apparatet

Husk å trekke ut støpselet med nettleddingen til TV-en før du rengjør apparatet.

For å unngå forringelse av skjermen og materialene apparatet er laget av, ta hensyn til følgende forholdsregler.

- Når du skal fjerne støv fra overflaten/kabinetet, tørk du forsiktig over med en myk klut. Hvis du ikke får av støvet på denne måten, tørk du med en myk klut fuktet i et mildt vaskemiddel.
- Aldri spray vann eller rengjøringsmidler direkte på TV-apparatet. Det kan dryppe ned til bunnen av skjermen eller ytre deler og trenge inn i TV-apparatet, som kan føre til skade på TV-apparatet.
- Bruk aldri skuresvamp, alkaliske/syreholdige rengjøringsmidler, skurepulver eller sterke løsemidler, som alkohol, benzen, fortynningsmidler eller insektmidler. Bruk av denne typen midler, eller langvarig kontakt med gummi eller vinyl, kan resultere i skade på skjermen og kabinetet.
- Det anbefales å støvsuge ventilasjonsåpningene med jevne mellomrom for å sikre skikkelig ventilasjon.
- Når TV-apparatets vinkel skal justeres, må du flytte forsiktig på det for å unngå at TV-en forskyver seg eller faller av sokkelen.

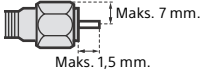


Alternativt tilleggsutstyr

- Hold alternative komponenter eller annet utstyr som avgir elektromagnetisk stråling, borte fra TV-apparatet. Ellers kan bildet forvrenges og/eller det oppstår en støvende lyd.
- Dette utstyret er testet og funnet i samsvar med grensene som angitt i EMC-direktivet med en tilkoblingskabel kortere enn 3 meter.

Anbefaling for plugg av F-type

Den indre ledningen må ikke stikke ut mer enn 1,5 mm.



(Referansetegning for plugg av F-type)

Advarsel om håndtering av fjernkontrollen

- Sett batteriene i riktig vei.
- Du må ikke bruke forskjellige batterityper eller blande gamle og nye batterier.
- Kast brukte batterier på en miljøvennlig måte. Noen steder kan kassering av batterier være lovregulert. Kontakt de lokale myndighetene hvis du vil vite mer om dette.
- Vær forsiktig når du bruker fjernkontrollen. Du må ikke slippe, trække på eller søle noen form for væske på fjernkontrollen.
- Du må ikke legge fjernkontrollen nær en varmekilde, et sted der den kan bli utsatt for direkte sollys eller i et fuktig rom.

Trådløs funksjon på apparatet

- Ikke bruk denne enheten nær medisinsk utstyr (pacemaker, osv.) da dette kan føre til feifunksjon på det medisinske utstyret.
- Selv om denne enheten overfører/mottar kodete signaler, vær forsiktig for å unngå uautorisert avskjæring. Vi kan ikke være ansvarlige for noen problemer som oppstår på grunn av dette.

VEGGMONTERINGSBRACKETT

- Hvis du bruker TV-en montert på veggmonteringsbraketten over lang tid, kan veggen bak eller over TV-en bli misfarget eller tapeten kan løsne, avhengig av veggens materiale.
- Dersom veggmonteringsbraketten er fjernet etter at den er montert på veggen, forblir skru hullene.
- Ikke bruk veggmonteringsbraketten på et sted hvor den er utsatt for mekanisk vibrasjon.

Avhending av TV-apparatet



Kassering av gamle elektriske og elektroniske apparater (gjelder i den Europeiske Unionen og andre europeiske land med separat innsamlingsssystem)

Dette symbolet på produktet eller emballasjen indikerer at dette produktet ikke må behandles som husholdningsavfall. I stedet skal det leveres til spesiell innsamlingsstasjon for

gjenvinning av elektrisk og elektronisk utstyr. Ved å sørge for at dette produktet avhentes på korrekt måte, vil du være med på å forhindre mulige negative følger for miljøet og helse, som ellers kan forårsakes av feilaktig avfallshåndtering av dette produktet. Gjenvinning av disse materialene vil være med på å ta vare på våre naturressurser. For mer informasjon om gjenvinning av dette produktet, kan du kontakte lokale myndigheter, renovasjonsverket der du bor eller butikken der du kjøpte produktet.



Avfallsinstruksjon vedrørende oppbrukte batterier (gjelder i EU og andre europeiske land med separate resirkuleringsrutiner)

Dette symbolet på batteriet eller på forpakningen betyr at batteriet ikke skal behandles som vanlig husholdningsavfall. På visse batterier kan dette symbolet brukes i kombinasjon med et kjemisk symbol. Symbolet for kvikksølv (Hg) eller bly (Pb) er lagt til dersom batteriet inneholder mer enn 0,0005% kvikksølv eller 0,004% bly. Ved å sørge for at disse batteriene blir kastet riktig vil du bidra til å beskytte miljøet og menneskers helse fra potensielt negative konsekvenser som ellers kunne ha blitt forårsaket av ukorrekt avfallshåndtering. Resirkulering av materialene vil bidra til å bevare naturlige ressurser. Hva gjelder produkter som av sikkerhets-, ytelses- eller dataintegritetsgrunner krever permanent tilkobling til et inkorporert batteri, bør dette batteriet skiftes kun av autorisert servicepersonell. For å forsikre at batteriet blir behandlet korrekt skal det leveres til en resirkuleringsstasjon for elektriske produkter når det er oppbrukt. Hva gjelder alle andre batterier, vennligst se informasjonen om hvordan man fjerner batteriet på riktig måte. Lever batteriet på en resirkuleringsstasjon for oppbrukte batterier. For mer detaljert informasjon vedrørende korrekt avfallsmetode av dette produktet og av andre batterier, vennligst kontakt ditt kommunekontor, din avfallstjeneste eller forhandleren hvor du kjøpte produktet.

Montere TV-en på veggen

Til kunder

Tilstrekkelig ekspertise er nødvendig for å montere dette produktet. Overlat installasjonen til Sony-forhandlere eller lisensierte entreprenører, og vær spesielt oppmerksom på sikkerheten under installasjonen. Sony er ikke ansvarlig for skader eller personskader som oppstår som følge av feil behandling eller installasjon, eller installasjon av annet enn det spesifiserte produktet. Dine forbrukerrettigheter (hvis noen) påvirkes ikke.

Til Sony-forhandlere og -entreprenører

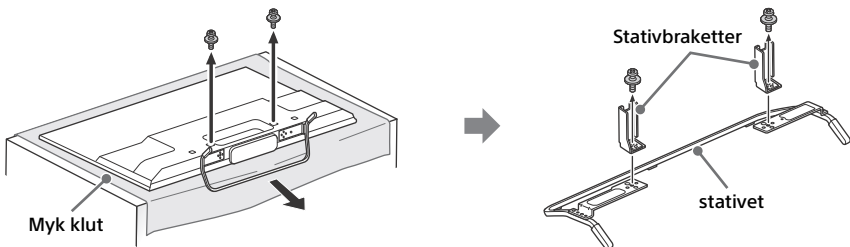
Tilstrekkelig ekspertise er nødvendig for å montere dette produktet. Les nøye gjennom denne bruksanvisningen for å gjøre installasjonen på en trygg måte. Sony er ikke ansvarlig for eventuelle skader eller personskade forårsaket av feil håndtering eller installasjon.

TV-ens bordstativ brukes som en del av veggmonteringsbraketten.

Merknader

- Se side side 3 (Sikkerhets-informasjon) og side 5 (Forholdsregler) på VEGGMONTERINGSBRAKETT før du monterer veggmonteringsbraketten.
- Hvis bordstativet er montert på TV-en, demonterer du bordstativet først.
- Legg TV-en med skjermensiden vendt ned på en flat og stabil overflate dekket med en tykk og myk klut som er større enn TV-en, når du sikrer stativet eller demonterer bordstativet fra TV-en for å forhindre skade på LCD-skjermoverflaten.
- Når stativhalsene er demontert fra stativet, må du oppbevare stativhalsene og skruene på en trygg plass.
- Når du monterer bordstativet igjen, må du feste skruene (som du fjernet tidligere) til de opprinnelige hullene på baksiden av TV-en.
- Sørg for at TV-en står i en vertikal posisjon før den slås på. TV-en må ikke slås på med LCD-panelet vendt ned for å unngå ujevn bildeoppstilling.

Demontere bordstativet fra TV-en



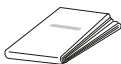
NO

Montere brakettene på veggen

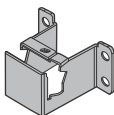
1 Gjør klart nødvendige gjenstander.

Tilbehør for veggmonteringsbrakett (medfølger)

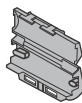
A En papirmal



B Veggmonterings sokkel
KDL-50W82xB,
KDL-50W81xB,
KDL-50W80xB,
KDL-50W70xB (2)
KDL-42W82xB,
KDL-42W81xB,
KDL-42W80xB,
KDL-42/32W70xB (1)



C Stativbeskytter
KDL-50W82xB,
KDL-50W81xB,
KDL-50W80xB,
KDL-50W70xB (2)
KDL-42W82xB,
KDL-42W81xB,
KDL-42W80xB,
KDL-42/32W70xB (1)



D Skruer
(+PSW 6 x 12) (2)



E Avstandsklosse (2)



F Hette for brakett
KDL-50W82xB,
KDL-50W81xB,
KDL-50W80xB,
KDL-50W70xB (2)
KDL-42W82xB,
KDL-42W81xB,
KDL-42W80xB,
KDL-42/32W70xB (1)

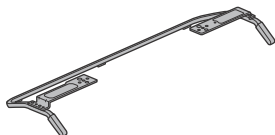


G Skruer (+PSW 4 x 10)
KDL-50W82xB,
KDL-50W81xB,
KDL-50W80xB,
KDL-50W70xB (2)
KDL-42W82xB,
KDL-42W81xB,
KDL-42W80xB,
KDL-42/32W70xB (1)



Stativ (medfølger)

H

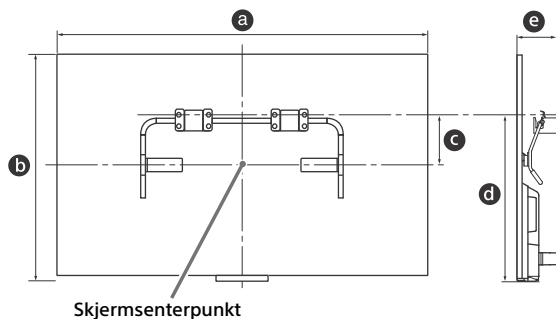


Skruer for veggmonterings sokkel (8 mm i diameter, medfølger ikke)

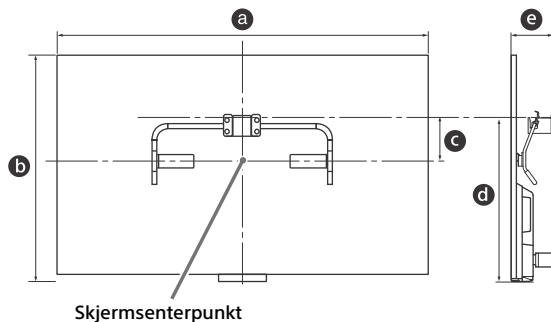
KDL-50W82xB,
KDL-50W81xB,
KDL-50W80xB,
KDL-50W70xB (8)
KDL-42W82xB,
KDL-42W81xB,
KDL-42W80xB,
KDL-42/32W70xB (4)

- 2 Sørg for at veggen har nok plass og at den kan støtte en vekt på minst fire ganger TV-ens. Sørg for at veggen er stor nok og kan støtte en vekt på minste fire ganger TV-ens vekt. Se følgende tabell for å montere TV-en på veggen. Se side 15-17 (Spesifikasjoner) for TV-ens vekt.

KDL-50W82xB, KDL-50W81xB, KDL-50W80xB, KDL-50W70xB



KDL-42W82xB, KDL-42W81xB, KDL-42W80xB, KDL-42/32W70xB



NO

Enhet: cm

Modellnavn KDL-	Skjermmå		Skjermssentermål	Lengde for montering	
	a	b	c	d	e
50W82xB/ 50W81xB/ 50W80xB/ 50W70xB	111,6	65,6	13,0	46,9	11,8
42W82xB/ 42W81xB/ 42W80xB/ 42W70xB	95,8	56,3	17,5	46,5	11,8
32W70xB	72,9	43,3	18,8	41,3	11,3

Merknader

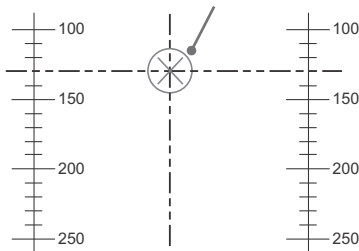
- Tallene i tabellen kan variere noe, avhengig av installasjonen.

3 Lag et merke på papirmalen ① som indikerer midten av skjermen på TV-en.

**KDL-50W82xB, KDL-50W81xB,
KDL-50W80xB, KDL-50W70xB**

Skala på papirmal ①

Merke for KDL-50W82xB, KDL-50W81xB,
KDL-50W80xB, KDL-50W70xB

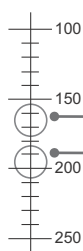


**KDL-42W82xB, KDL-42W81xB,
KDL-42W80xB, KDL-42/32W70xB**

Skala på papirmal ①

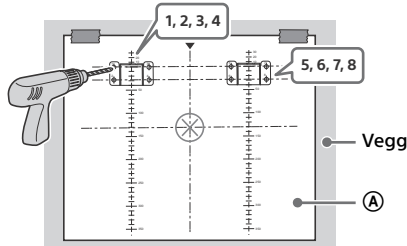
Merke for KDL-42W82xB,
KDL-42W81xB, KDL-42W80xB,
KDL-42W70xB

Merke for KDL-32W70xB

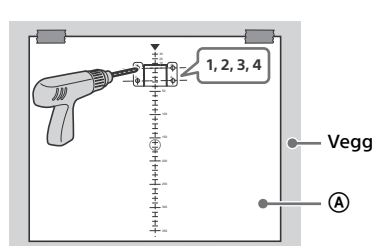


4 Lim papirmal ① på veggen og lag hull etter nummereringen på papirmal ① ved hjelp av en elektrisk boremaskin.

**KDL-50W82xB, KDL-50W81xB,
KDL-50W80xB, KDL-50W70xB**



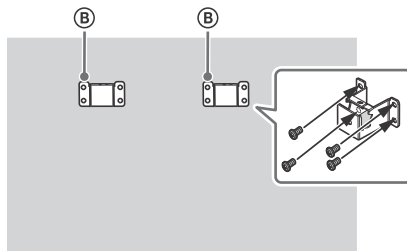
**KDL-42W82xB, KDL-42W81xB,
KDL-42W80xB, KDL-42/32W70xB**



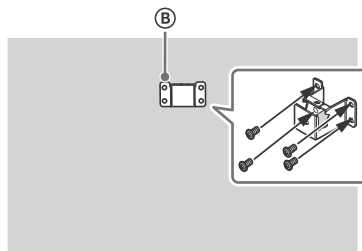
5 Fjern papirmal ① fra veggen.

6 Fest veggmonteringssokkel ② til veggen på riktig måte med skruene (8 mm i diameter, medfølger ikke).

**KDL-50W82xB, KDL-50W81xB,
KDL-50W80xB, KDL-50W70xB**

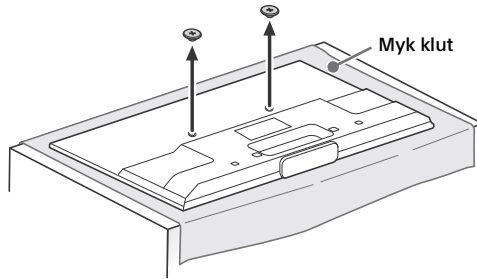


**KDL-42W82xB, KDL-42W81xB,
KDL-42W80xB, KDL-42/32W70xB**



Gjøre klar installasjonen av TV-en

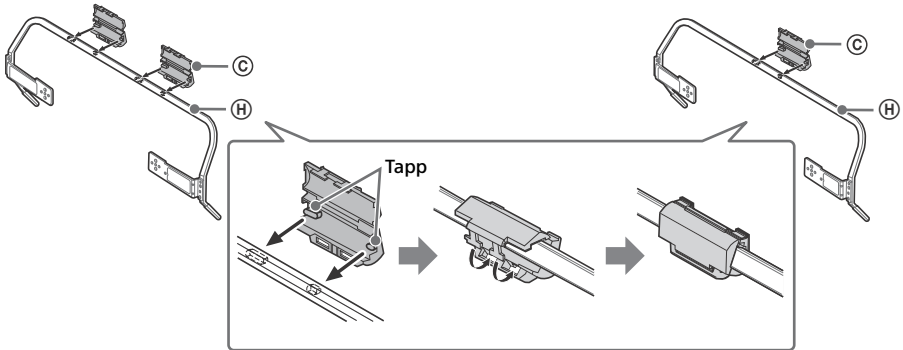
- 1 Fjern skruene fra baksiden av TV-en. Oppbevar skruene du fjerner på en trygg plass, utenfor barns rekkevidde.



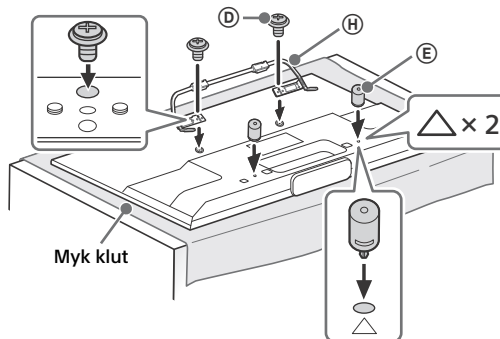
- 2 Sett pinnen (på stativbeskyttelse ©) inn i hullet på stativ ④, og fold deretter opp stativbeskyttelse ©. Kontroller at stativbeskytter © er sikkert festet på stativ ④.

KDL-50W82xB, KDL-50W81xB,
KDL-50W80xB, KDL-50W70xB

KDL-42W82xB, KDL-42W81xB,
KDL-42W80xB, KDL-42/32W70xB

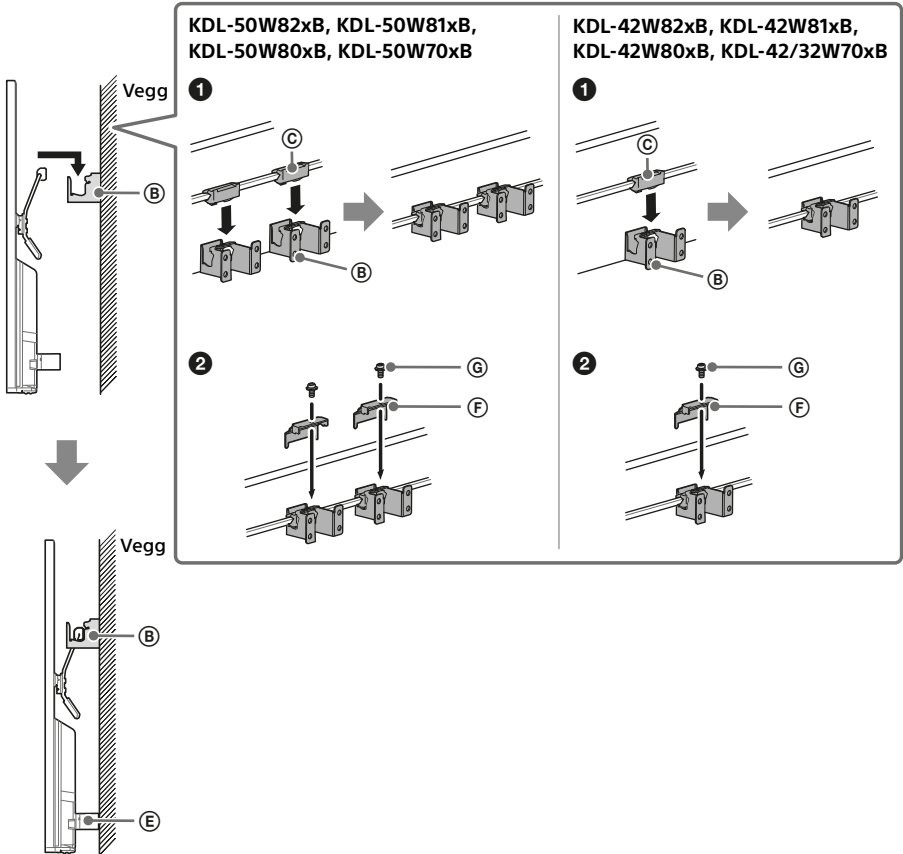


- 3 Fest stativ ④ på TV-en med skruene ⑤ som følger med. Fest avstandsklossene ⑥ til hullene som er merket med trekantene △. KDL-50W82xB, KDL-50W81xB, KDL-50W80xB, KDL-50W70xB brukes for illustrasjonsformål.



Montere TV-en på veggen

- 1 Sørg for at du kobler til og samler kablene før du monterer TV-en på veggen.
- 2 Monter TV-en på veggen. Kontroller deretter at stativbeskyttelse © er festet i veggmonteringssockel ② og at avstandsklossene ③ er i kontakt med veggen. Fest hette for brakett ④ med skruene ⑤ som følger med.



Mål for hullposisjonene på veggen

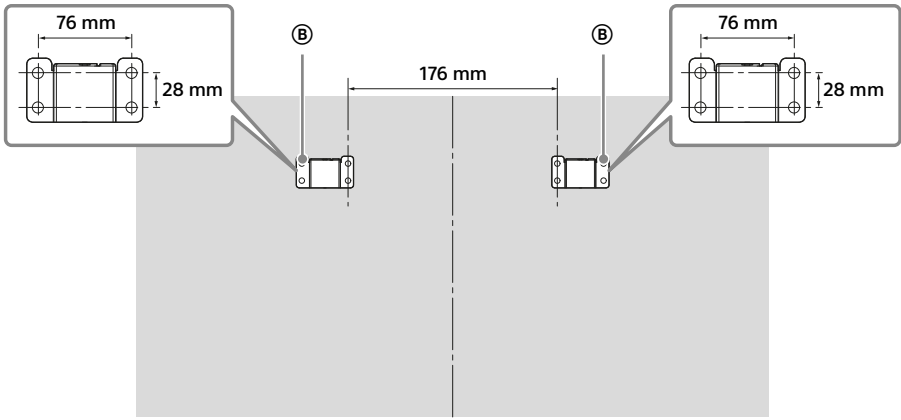
Gi følgende informasjon til de lisensierte entreprenørene ved behov.

Bruk skruer (8 mm i diameter, medfølger ikke) til å montere veggmonterings sokkel ② på veggen.

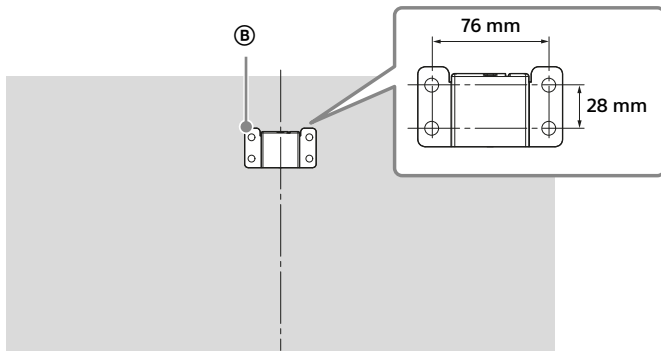
Sørg for at du bruker medfølgende papirmal ① som viser veggmonterings sokkelens faktiske posisjon.

Denne gjør installasjonen enkel.

KDL-50W82xB, KDL-50W81xB, KDL-50W80xB, KDL-50W70xB



KDL-42W82xB, KDL-42W81xB, KDL-42W80xB, KDL-42/32W70xB



NO



Instruksjoner for installeringen av veggmonteringsbraketten for TV-modellen din finnes på denne nettsiden:
www.sony.eu/tv/wall-mount-bracket-manual

Feilsøking

Når LED-lyset blinker rødt, tell hvor mange ganger den blinker (intervalltiden er tre sekunder).

Hvis Belysnings-LED blinker rødt, nullstill TV-en ved å koble strømledningen fra TV-en i to minutter, slå deretter på TV-en.

Hvis problemet vedstår, kontakt forhandleren eller Sony servicesenter med antall ganger Belysnings-LED blinker rødt (intervalltid er tre sekunder). Trykk på **I/⏻** på TV-en for å slå den av, koble fra strømledningen og ta kontakt med forhandleren eller et Sony servicesenter.

Når LED-lyset ikke blinker, kontrollerer du elementene i tabellene som følger.

Du kan også henvise til [Feilsøking] i i-Manual eller utføre selvdiagnostikk ved å velge **? [Hjelp]** → [Kundestøtte] → [Selvdiagnostikk]. La kvalifisert servicepersonell utføre service på TV-en hvis problemet vedstår.

Problemer og løsninger

Det vises ikke noe bilde (mørk skjerm) og ingen lyd.

- Kontroller antenne-/kabelforbindelsene.
- Koble TV-en til en stikkontakt og trykk på **I/⏻** på TV-en eller fjernkontrollen.

Noen programmer kan ikke stilles inn.

- Kontroller antennen eller parabolten.
- Det kan være kortslutning i satellittkanalen, eller det kan være problemer med tilkoblingen av kabelen. Kontroller kabelen og tilkoblingen, og slå av TV-en med På / Av-bryteren og slå den deretter på igjen.
- Den angitte frekvensen er utenfor søkeområdet. Kontakt leverandøren av satellittsignalet du mottar.

Ingen kabel-TV-tjenester (programmer) ble funnet.

- Kontroller kabeltilkoblingen eller innstillingskonfigurasjonen.
- Forsøk [Automatisk kanalinnstilling] ved å velge [Egen Antenne] i stedet for [Kabel].

Fjernkontrollen virker ikke.

- Skift batteriene.
- TV-en kan være i SYNC-modus. Trykk på **SYNC MENU**, velg [TV-kontroll] og velg deretter [Hjem (meny)] eller [Alternativer] for å kontrollere TV-en.

Passordet for [Tilgangskontroll] er glemt.

- Angi PIN-koden 9999. (PIN-koden 9999 blir alltid god tatt.)

Utsiden av TV-en blir varm.

- Utsiden av TV-en blir varm når TV-en har vært i bruk for en lengre periode. Du kan kjenne denne varmen når du legger hånden der.

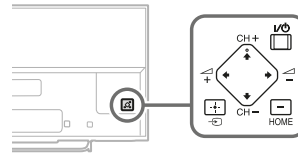
Frossen lyd eller video, en svart skjerm eller TV-en svarer ikke på knapper på TV-en eller fjernkontrollen.

- Utfør en enkel nullstilling av TV-en ved å koble fra strømledningen i to minutter, koble den deretter til igjen.

Finder ikke knappene **I/⏻**, **CH+/-**, **⏪ +/-**, **⏩ +/-** og **HOME** på TV-en.

- Se illustrasjonen under for knappenes plassering på TV-en.

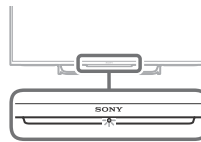
Baksiden på TV-en



Belysnings-LED er tent.

- Hvis du ikke vil tenne belysnings-LED-en, kan du slå den av.

Trykk på **HOME**, velg deretter **[Innstillinger]** → [Systeminnstillinger] → [Generelt oppsett] → [Belysnings-LED] → [Av]. Du kan også trykke på **OPTIONS**, deretter velge [Belysnings-LED] → [Av].



Kan ikke koble til en trådløs ruter med WPS.

- Hvis du bruker WEP-sikkerhet, velger du [Enkel] → [Wi-Fi] → [Koble til med skanneliste]. Velg deretter nettverksnavnet (SSID) som du vil koble til.

Kan ikke finne nødvendig nettverksnavn i nettverksoppsettet.

- Velg [[Manuell innstilling]] og trykk på **⊕** for å angi nettverksnavnet.

Spesifikasjoner

System

Skjermssystem

LCD (Liquid Crystal Display = skjerm med flytende krystaller), LED-baklyst

TV-system

Analog: Avhengig av hvilket land/hvilken region du velger: B/G, D/K, L, I, M

Digital: DVB-T/DVB-C
DVB-T2

Satellitt: DVB-S/DVB-S2

Farge/bilde-system

Analog: PAL, SECAM, NTSC3.58, NTSC4.43

Digital: Se i-Manual.

Kanaldekning

Analog: UHF/VHF/kabel, Avhengig av hvilket land/hvilken region du velger.

Digital: UHF/VHF/kabel, Avhengig av hvilket land/hvilken region du velger.

Satellitt: IF-frekvens 950-2150 MHz

Lydutgang

8 W + 8 W (gjelder ikke KDL-32W70xB)

5 W + 5 W (kun KDL-32W70xB)

Trådløs teknologi

Protokoll IEEE802.11a/b/g/n

Inngangs-/utgangskontakter

Antennekabel

75 ohm ekstern terminal for VHF/UHF

Satellittmottaker

Hunn F-kontakt IEC169-24, 75 ohm.

DiSEqC 1.0, LNB 13 V/18 V og 22 kHz tone, Distribusjon med én kabel EN50494.

AV1

21-pinner scartkontakt (CENELEC-standard) inkludert lyd-/video inngang, RGB-inngang og TV lyd-/bildeutgang.

COMPONENT IN

YPbPr (komponent video): 1080p (50, 60 Hz), 1080i (50, 60 Hz), 720p (50, 60 Hz), 576p, 576i, 480p, 480i

Lydinngang (phonoplugg)

AV2

Videoinngang (felles phonopinne med Y-inngang)

HDMI IN 1, 2, 3, 4 (gjelder ikke

KDL-50/42/32W70xB)

Video (2D): 1080p (30, 50, 60 Hz), 1080/24p, 1080i (50, 60 Hz), 720p (30, 50, 60 Hz), 720/24p, 576p, 576i, 480p, 480i, PC-formater

Video (3D):

Dobbeltramme: 1080p (30 Hz), 1080/24p, 1080i (50, 60 Hz), 720p (30, 50, 60 Hz), 720/24p
Side ved side: 1080p (50, 60 Hz), 1080/24p, 1080i (50, 60 Hz), 720p (50, 60 Hz)
Over-under: 1080p (30, 50, 60 Hz), 1080/24p, 1080i (50, 60 Hz), 720p (50, 60 Hz)

Lyd: 5.1 kanal lineær PCM: 32, 44,1 og 48 kHz, 16, 20 og 24 bits, Dolby Digital

ARC (Audio Return Channel) (kun HDMI IN 2)

HDMI IN 1, 2, 3, 4 (kun KDL-50/42/32W70xB)

Video: 1080p (30, 50, 60 Hz), 1080/24p, 1080i (50, 60 Hz), 720p (30, 50, 60 Hz), 720/24p, 576p, 576i, 480p, 480i, PC-formater
Lyd: 5.1 kanal lineær PCM: 32, 44,1 og 48 kHz, 16, 20 og 24 bits, Dolby Digital
ARC (Audio Return Channel) (kun HDMI IN 2)

MHL (felles med HDMI IN 1)

(gjelder ikke KDL-50/42/32W70xB)

Video (2D): 1080p (30 Hz), 1080/24p, 1080i (50, 60 Hz), 720p (30, 50, 60 Hz), 720/24p, 576p, 576i, 480p, 480i

Video (3D):

Side ved side: 1080/24p, 1080i (50, 60 Hz), 720p (50, 60 Hz)

Over-under: 1080p (30 Hz), 1080/24p,

1080i (50, 60 Hz), 720p (50, 60 Hz)

Lyd: 5.1 kanal lineær PCM: 32, 44,1 og 48 kHz, 16, 20 og 24 bits, Dolby Digital

MHL (felles med HDMI IN 1)

(kun KDL-50/42/32W70xB)

Video: 1080p (30 Hz), 1080/24p, 1080i (50, 60 Hz), 720p (30, 50, 60 Hz), 720/24p, 576p, 576i, 480p, 480i
Lyd: 5.1 kanal lineær PCM: 32, 44,1 og 48 kHz, 16, 20 og 24 bits, Dolby Digital

DIGITAL AUDIO OUT (OPTICAL)

Digital optisk kontakt (tokanals lineær PCM, Dolby Digital)

AUDIO OUT/

Lydutgang (stereo miniplugg)

Hodetelefoner-kontakt

(støtter subwoofer-utgang)

1 (HDD REC), 2

USB HDD-enhetsport (kun 1), USB-port

CAM-spor (Conditional Access Module)

DC IN 19.5 V

Adapterinngang

LAN

10BASE-T/100BASE-TX-kontakt

(Tilkoblingshastigheten kan variere avhengig av driftsmiljøet til nettverket. 10BASE-T/100BASE-TX kommunikasjons-hastighet og -kvalitet garanteres ikke for denne TV-en.)

Annet

Tilleggsutstyr

Fjernkontroll med styreflate: RMF-ED004

Kamera- og mikrofonenhet: CMU-BR200/
CMU-BR100

Trådløs subwoofer: SWF-BR100

MHL-kabel: DLC-MB10/DLC-MB20/DLC-MC10/
DLC-MC20

Aktive 3D Brilller: TDG-BT500A (kun

KDL-50W82xB, KDL-50W81xB, KDL-50W80xB)



Passive 3D Brilller: TDG-500P (kun KDL-42W82xB,
KDL-42W81xB, KDL-42W80xB)



Driftstemperatur

0 °C - 40 °C

Driftsluftfuktighet

10% - 80% relativ fuktighet (ikke-kondenserende)

Strøm og annet

Strømkrav

19,5 V DC med vekselstrømadapter

Rangering: Inntak 220 V - 240 V vekselstrøm,
50 Hz

Energieffektivitetsklasse

KDL-50W82xB, KDL-50W81xB, KDL-50W80xB,
KDL-50W70xB: A++

KDL-42W82xB, KDL-42W81xB, KDL-42W80xB,
KDL-42W70xB: A+

KDL-32W70xB: A

Skjermstørrelse (målt diagonalt) (Ca.)

KDL-50W82xB, KDL-50W81xB, KDL-50W80xB,

KDL-50W70xB: 50 tommer / 125,7 cm

KDL-42W82xB, KDL-42W81xB, KDL-42W80xB,

KDL-42W70xB: 42 tommer / 106,7 cm

KDL-32W70xB: 32 tommer / 80,1 cm

Strømforbruk

i [Standard]-modus

KDL-50W82xB, KDL-50W81xB, KDL-50W80xB,
KDL-50W70xB: 51 W

KDL-42W82xB, KDL-42W81xB, KDL-42W80xB,

KDL-42W70xB: 50 W

KDL-32W70xB: 39 W

i [Dynamisk]-modus

KDL-50W82xB, KDL-50W81xB, KDL-50W80xB,
KDL-50W70xB: 100 W

KDL-42W82xB, KDL-42W81xB, KDL-42W80xB,

KDL-42W70xB: 99 W

KDL-32W70xB: 80 W

Gjennomsnittlig årlig strømforbruk*1

KDL-50W82xB, KDL-50W81xB, KDL-50W80xB,

KDL-50W70xB: 71 kWh

KDL-42W82xB, KDL-42W81xB, KDL-42W80xB,

KDL-42W70xB: 69 kWh

KDL-32W70xB: 54 kWh

Strømforbruk i hvilemodus*2

0,5 W (10 W i programvare-/EPG-
oppdateringsmodus)

Skjermoppløsning

1920 punkter (horisontalt) × 1080 linjer (vertikalt)

Mål (Ca.) (b × h × d)

med bordstativ

KDL-50W82xB, KDL-50W81xB, KDL-50W80xB,

KDL-50W70xB: 111,6 × 69,3 × 17,9 cm

KDL-42W82xB, KDL-42W81xB, KDL-42W80xB,

KDL-42W70xB: 95,8 × 60,0 × 17,0 cm

KDL-32W70xB: 72,9 × 46,5 × 14,1 cm

uten bordstativ

KDL-50W82xB, KDL-50W81xB, KDL-50W80xB,

KDL-50W70xB: 111,6 × 65,6 × 6,4 cm

KDL-42W82xB, KDL-42W81xB, KDL-42W80xB,

KDL-42W70xB: 95,8 × 56,3 × 6,4 cm

KDL-32W70xB: 72,9 × 43,3 × 6,4 cm

Masse (Ca.)

med bordstativ

KDL-50W82xB, KDL-50W81xB, KDL-50W80xB,

KDL-50W70xB: 14,8 kg

KDL-42W82xB, KDL-42W81xB, KDL-42W80xB,

KDL-42W70xB: 11,7 kg

KDL-32W70xB: 7,9 kg

uten bordstativ

KDL-50W82xB, KDL-50W81xB, KDL-50W80xB,

KDL-50W70xB: 13,6 kg

KDL-42W82xB, KDL-42W81xB, KDL-42W80xB,

KDL-42W70xB: 10,5 kg

KDL-32W70xB: 6,9 kg

*1 Energiforbruk per år, basert på fjernsynets strømforbruk når det brukes 4 timer om dagen i 365 dager. Det faktiske energiforbruket vil avhenge av hvordan fjernsynet brukes.

*2 Spesifisert strømforbruk i hvilemodus nås etter at TV-en har avsluttet nødvendige interne prosesser.

Merknader

- "x"-en som vises i modellnavnet, korresponderer til et tall som er relatert til design, farge eller TV-system.
- Ikke ta narrekortet ut av TV CAM-sporet (Conditional Access Module) for noen annen årsak enn for å sette inn et smartkort i CAM-sporet.
- Tilgjengeligheten til tilbehør avhenger av land/region/TV-modell/lagerstatus.
- Design og spesifikasjoner kan endres uten varsel.
- Denne TV-en inneholder MHL 2.

Merknader til digital TV-funksjon

- Alle funksjoner som gjelder digital-TV (DVB) vil kun fungere i land eller områder der vanlige, digitale DVB-T/DVB-T2 (MPEG-2 og H.264/MPEG-4 AVC)-signaler kringkastes eller der hvor du har tilgang til en kompatibel DVB-C (MPEG-2 og H.264/MPEG-4 AVC)- kabelservice. Vennligst opplys din lokale forhandler dersom du kan motta et DVB-T/DVB-T2-signal der du bor eller spør kabeltilbyderen om dennes DVB-C-kabelservice er egnet for integrert drift med denne TV-en.
- Din kabeltilbyder kan muligens forlange et gebyr for servicen eller kreve at du aksepterer dennes bedriftsvilkår og -betingelser.
- Denne TV-en samsvarer med DVB-T/ DVB-T2- og DVB-C-spesifikasjonene, men kompatibilitet med fremtidig digital, vanlig DVB-T/DVB-T2- og DVB-C-digital kabelkringkasting kan ikke garanteres.
- Endel digitale TV-funksjoner er muligens ikke tilgjengelige i noen land/områder og DVB-C-kabel vil muligens ikke fungere helt som den skal med noen tilbydere.

Varemerker

- Begrepene HDMI og High-Definition Multimedia Interface, og HDMI-logoen er varemerker eller registrerte varemerker for HDMI Licensing LLC i USA og andre land.
- DLNA®, DLNA-logoen og DLNA CERTIFIED® er varemerker, servicemerker eller sertifiseringsmerker for Digital Living Network Alliance.
- Produsert på lisens fra Dolby Laboratories. Dolby og dobbel-D-symbolet er varemerker som tilhører Dolby Laboratories.
- "BRAVIA" og BRAVIA er varemerker for Sony Corporation.
- TrackID er et varemerke eller registrert varemerke fra Sony Mobile Communications AB.
- Gracenote, Gracenote eyeQ, Gracenote VideoID, Gracenote Video Explore, Gracenote MusicID, Gracenote-logoen og logoens skrift, og "Powered by Gracenote"-logoen er enten registrerte varemerker eller varemerker for Gracenote i USA og/ eller andre land.

- Opera® Devices SDK from Opera Software ASA. Copyright 1995-2014 Opera Software ASA. All rights reserved.
- Wi-Fi, Wi-Fi Direct og Miracast er varemerker eller registrerte varemerker som tilhører Wi-Fi Alliance.
- "Sony Entertainment Network-logo" og "Sony Entertainment Network" er varemerker for Sony Corporation.
- MHL, Mobile High-Definition Link og MHL-logoen er varemerker eller registrerte varemerker for MHL Licensing, LLC.
- For DTS-patenter, se <http://patents.dts.com>. Fremstilt under lisens fra DTS Licensing Limited. DTS. symbolet og DTS og symbolet sammen er registrerte varemerker, og DTS Digital Surround er et varemerke for DTS, Inc. © DTS, Inc. Med enerett.
- Designed with UEI Technology™ Under License from Universal Electronics Inc. Portions © UEI 2000 – 2013
- Varemerket og logoen Bluetooth® tilhører Bluetooth SIG, Inc., og all bruk av dette merket av Sony Corporation er under lisens. Andre varemerker og varemerkenavn tilhører sine respektive eiere.
- DiSEqC™ er et varemerke for EUTELSAT. Denne TV-en støtter DiSEqC 1.0. Denne TV-en er ikke ment for styring av motoriserte antenner.

Spis treści

WAŻNA UWAGA	2
Informacje dotyczące bezpieczeństwa	3
Środki ostrożności	5
Montaż telewizora na ścianie	7
Montaż uchwyty na ścianie	8
Przygotowanie do zamontowania telewizora	11
Montaż telewizora na ścianie	12
Rozwiązywanie problemów	14
Problemy i rozwiązania	14
Dane techniczne	15

Wprowadzenie

Dziękujemy, że wybrali Państwo produkt firmy Sony. Przed przystąpieniem do eksploatacji telewizora należy dokładnie zapoznać się z treścią niniejszej instrukcji oraz zachować ją do wykorzystania w przyszłości.

Uwaga

- Przed użyciem telewizora należy przeczytać "Informacje dotyczące bezpieczeństwa" (strona 3).
- Wskazówki dotyczące "Montaż telewizora na ścianie" znajdują się w instrukcji obsługi tego odbiornika TV.
- Zdjęcia i ilustracje użyte w Szybkim wprowadzeniu i w tej instrukcji mają charakter jedynie poglądowy i mogą się różnić od rzeczywistego wyglądu produktu.

Lokalizacja etykiety identyfikacyjnej

Etykiety z numerem modelu telewizora, datą produkcji (miesiąc/rok) i parametrami zasilania znajdują się z tyłu telewizora lub opakowania.

Etykiety z informacją o numerze modelu i numerze seryjnym znajdują się u dołu zasilacza.

OSTRZEŻENIE

ABY UNIKNĄĆ RYZYKA
POŻARU, ŚWIECZKI I
INNE ŹRÓDŁA OTWARTEGO
OGNIA NALEŻY ZAWSZE
UTRZYMYWAĆ Z DALA OD
PRODUKTU.



WAŻNA UWAGA

Nadzór nad dystrybucją na terytorium RP :

Sony Europe Limited,
The Heights, Brooklands
Weybridge, Surrey, KT 13 0XW
United Kingdom.

Produkt ten został wyprodukowany przez lub na zlecenie Sony Corporation, 1-7-1 Konan Minato-ku Tokio, 108-0075 Japonia. Zapytania dotyczące zgodności produktu z wymaganiami prawa Unii Europejskiej należy kierować do Sony Deutschland GmbH, Hedelfinger Strasse 61, 70327 Stuttgart, Niemcy. W kwestiach dotyczących usług serwisowych lub gwarancji należy korzystać z adresów kontaktowych podanych w oddzielnych dokumentach dotyczących usług serwisowych lub gwarancji.

Uwaga dotycząca sygnału cyfrowego



Niniejszym Sony Corporation oświadcza, że to urządzenie jest zgodne z zasadniczymi wymaganiami oraz innymi stosownymi postanowieniami Dyrektywy 1999/5/WE.

Szczegółowe informacje znaleźć można pod następującym adresem URL:

<http://www.compliance.sony.de/>

Informacja dla klientów: poniższe informacje mają zastosowanie wyłącznie do urządzeń w krajach stosujących dyrektywę UE.

Z systemu bezprzewodowego telewizora można korzystać w następujących krajach:

AT, BE, HR, CY, CZ, DK, EE, FI, FR, DE, GR, HU, IE, IT, LV, LT, LU, MT, NL, PL, PT, SK, SI, ES, SE, GB, IS, LI, NO, CH, BG, RO, TR, AL, BA, MK, MD, RS, ME

Urządzenie może być używane w innych krajach poza Europą.

Informacje dotyczące bezpieczeństwa

OSTRZEŻENIE

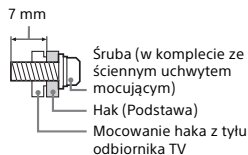
Nie wolno narażać baterii na działanie zbyt wysokich temperatur przez ekspozycję na słońce, ogień itd.

Montaż i instalacja

Aby uniknąć ryzyka wybuchu pożaru, porażenia prądem elektrycznym, uszkodzenia sprzętu i/lub ewentualnych obrażeń ciała, odbiornik TV należy zainstalować zgodnie z instrukcjami podanymi poniżej.

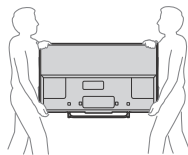
Instalacja

- Telewizor powinien być zainstalowany w pobliżu łatwo dostępnego gniazdka.
- Ustaw telewizor na stabilnej, równej powierzchni tak, aby uniknąć ryzyka jego przewrócenia i spowodowania obrażeń ciała lub uszkodzenia telewizora.
- Montaż odbiornika na ścianie należy zlecić wykwalifikowanemu instalatorowi.
- Ze względów bezpieczeństwa zaleca się stosowanie akcesoriów Sony:
 - Uchwyt ścienny
- Podczas montażu haków montażowych (podstawy) do telewizora należy używać śrub dostarczonych wraz z uchwytem ściennym. Dostarczone śruby są zaprojektowane w sposób pokazany na ilustracji w przypadku pomiaru od powierzchni mocującej haka montażowego (podstawy). Średnica i długość śrub różnią się w zależności od modelu ściennego uchwyty mocującego.
- Stosowanie śrub innych niż dostarczane w komplecie może spowodować uszkodzenia wewnętrzne w odbiorniku TV, jego upadek, itp.



Transport

- Przed rozpoczęciem przenoszenia odbiornika należy odłączyć od niego wszystkie kable.
- Do przenoszenia dużego odbiornika TV potrzeba dwóch lub trzech osób.
- Przenosząc telewizor w rękach, należy go złapać tak, jak na rysunku. Nie wolno naciskać ekranu ciekłokrystalicznego ani ramy dookoła ekranu.



- Podczas transportu odbiornik nie powinien być narażony na wstrząsy mechaniczne i nadmierne wibracje.
- Na czas transportu odbiornika do naprawy lub podczas przeprowadzki, należy zapakować go w oryginalny karton i elementy opakowania.

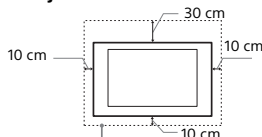
Zapobieganie przewróceniu

- Przed przykręceniem śruby połóż telewizor ekranem do dołu na stabilnej powierzchni, która jest większa od samego telewizora.
- Aby zapobiec uszkodzeniu samego ekranu, pamiętaj o położeniu miękkiej tkaniny na powierzchni roboczej.

Wentylacja

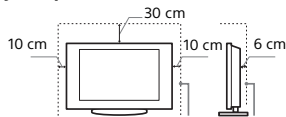
- Nie wolno zasłaniać otworów wentylacyjnych ani wkładać żadnych rzeczy do obudowy.
- Wokół odbiornika TV należy pozostawić trochę wolnej przestrzeni, tak jak to pokazano na rysunku poniżej.
- Zaleca się stosowanie oryginalnego ściennego uchwyty mocującego Sony, aby zapewnić odpowiednią wentylację.

Instalacja na ścianie



Pozostawić co najmniej tyle miejsca wokół odbiornika TV.

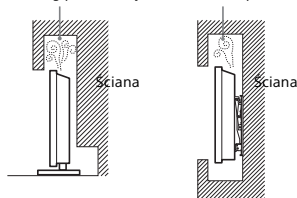
Instalacja na podstawie



Pozostawić co najmniej tyle miejsca wokół odbiornika TV.

- Aby zapewnić właściwą wentylację i zapobiec osiadananiu brudu lub kurzu:
 - Nie należy ustawiać odbiornika TV ekranem do góry, montować go do góry nogami, odwróconego tyłem lub bokiem.
 - Nie należy ustawiać odbiornika TV na półce, dywanie, łóżku lub w szafce.
 - Nie należy przykrywać odbiornika TV materiałami, np. zasłonami lub innymi przedmiotami, takimi jak gazety itp.
 - Nie należy instalować odbiornika tak, jak to pokazano na rysunkach poniżej.

Obieg powietrza jest zablokowany.



Przewód zasilający

Aby uniknąć ryzyka wybuchu pożaru, porażenia prądem elektrycznym, uszkodzenia sprzętu i/lub ewentualnych obrażeń ciała, z przewodem zasilającym i gniazdem sieciowym należy postępować w następujący sposób:

- Należy używać wyłącznie przewodów zasilających dostarczonych przez Sony, a nie przez innych dostawców.
- Wtyczka powinna być całkowicie włożona do gniazda sieciowego.
- Odbiornik TV jest przystosowany do zasilania wyłącznie napięciem 220-240 V AC.
- W celu zachowania bezpieczeństwa, podczas dokonywania połączeń, należy wyjąć wtyczkę przewodu zasilającego z gniazdka oraz uważać, aby nie nadebrać na przewód.
- Przed przystąpieniem do serwisowania lub przesuwania odbiornika TV należy wyjąć wtyczkę przewodu zasilającego z gniazdka.
- Przewód zasilający powinien znajdować się z dala od źródeł ciepła.
- Należy regularnie wyjmować wtyczkę z gniazdka i czyścić ją. Jeśli wtyczka jest pokryta kurzem i gromadzi wilgoć, jej własności izolujące mogą ulec pogorszeniu, co może być przyczyną pożaru.

Uwaga

- Dostarczonego w zestawie przewodu zasilającego nie należy używać do jakichkolwiek innych urządzeń.
- Należy uważać, aby nie przycisnąć, nie zgąć ani nie skrócić nadmierne przewodu zasilającego. Może to spowodować uszkodzenie izolacji lub urwanie żył przewodu.
- Nie należy przerabiać przewodu zasilającego.
- Na przewodzie zasilającym nie należy kłaść ciężkich przedmiotów.
- Podczas odłączania nie wolno ciągnąć za sam przewód.

- Nie należy podłączać zbyt wielu urządzeń do tego samego gniazda sieciowego.
- Nie należy używać gniazd sieciowych słabo trzymających wtyczkę.

UWAGA ODNOŚNIE ZASILACZA SIECIOWEGO

Ostrzeżenie

- W celu ograniczenia ryzyka pożaru lub porażenia prądem nie wystawiać tego urządzenia na działanie deszczu ani wilgoci. W celu ograniczenia ryzyka pożaru lub porażenia prądem nie umieszczać na tym urządzeniu obiektów wypełnionych wodą, takich jak flakony. Nie instalować urządzenia w ograniczonej przestrzeni, takiej jak np. półka na książki.
- Należy się upewnić, że gniazdko sieciowe znajduje się w pobliżu urządzenia i jest łatwo dostępne.
- Należy używać dołączonego do zestawu zasilacza sieciowego i przewodu zasilającego.
- Nie należy używać żadnego innego zasilacza sieciowego, gdyż może to spowodować awarię.
- Zasilacz sieciowy należy podłączać do łatwo dostępnego gniazdka sieciowego.
- Nie owijać przewodu zasilającego wokół zasilacza sieciowego. Żyłę przewodu mogą ulec przerwaniu, co może spowodować nieprawidłowe działanie odbiornika.
- Nie dotykać zasilacza sieciowego mokrymi dłońmi.
- Jeśli stwierdzone zostanie nieprawidłowe działanie zasilacza sieciowego, należy go natychmiast odłączyć od gniazdko sieciowego.
- Telewizor pozostaje podłączony do zasilania tak długo, jak jest podłączony do gniazdko sieciowego, nawet jeśli sam telewizor jest wyłączony.
- Ponieważ zasilacz sieciowy nagrzewa się podczas długotrwałego użytkowania, dotykając go dłonią, można odczuć ciepło.



- Nie wolno umieszczać telewizora w miejscach wilgotnych lub zakurzonych oraz miejscach wypełnionych olejystym dymem lub parą (w pobliżu płyt kuchennych lub nawilżaczy). Może to spowodować pożar, porażenie prądem lub odkształcenia obudowy.
- Nie należy instalować telewizora w miejscach narażonych na działanie wyższych temperatur, takich jak miejsca bezpośrednio oświetlane przez promienie słońca, położone w pobliżu grzejnika lub przy urządzeniach grzewczych. W takich warunkach może dojść do przegrzania telewizora, a w konsekwencji do zdeformowania obudowy i/lub awarii samego urządzenia.



Okoliczności:

- Odbiornika TV nie należy dotykać mokrymi rękoma, przy zdjętej obudowie lub z akcesoriami, które nie są zalecane przez producenta. W czasie burz z wyładowaniami atmosferycznymi należy wyjąć wtyczkę przewodu zasilającego telewizora z gniazdko i odłączyć przewód antenowy.
- Nie wolno instalować telewizora tak, aby jego obudowa wystawała na otwartą przestrzeń. Może to powodować uderzenie w telewizor przez osoby lub przedmioty oraz doprowadzić do jego uszkodzenia.



Niedozwolone użycie

Odbiornika TV nie należy instalować oraz eksploatować w miejscach, warunkach lub okolicznościach, jakie opisano poniżej. Niezastosowanie się do poniższych zaleceń może prowadzić do wadliwej pracy odbiornika, a nawet pożaru, porażenia prądem elektrycznym, uszkodzenia sprzętu i/lub obrażeń ciała.

Miejsce:

- Odbiornika TV nie należy montować na zewnątrz pomieszczeń (w miejscach narażonych na bezpośrednie działanie promieni słonecznych), nad morzem, na statku lub innej jednostce pływającej, w pojeździe, w instytucjach ochrony zdrowia, w miejscach niestabilnych lub narażonych na działanie wody, deszczu, wilgoci lub dymu.
- Telewizor znajdujący się w szatni jacuzzi albo łaźni publicznej może zostać uszkodzony przez unoszące się w powietrzu cząsteczki siarki i inne.



- Aby zapewnić najlepszą jakość obrazu, nie należy wystawiać ekranu na bezpośrednie oświetlenie lub działanie promieni słonecznych.
- Nie przenoś urządzenie z zimnego do ciepłego pomieszczenia. Gwałtowna zmiana temperatury może powodować skraplanie wilgoci. Może to pogorszyć jakość obrazu na telewizorze lub kolorów. W takiej sytuacji przed włączeniem telewizora należy poczekać na całkowite odparowanie wilgoci.

Warunki:

- Nie należy umieszczać telewizora w miejscach gorących, wilgotnych lub nadmiernie zapylonych; w miejscach, w których do wnętrza mogą dostawać się owady; w miejscach, w których może być narażony na działanie wibracji mechanicznych lub w pobliżu przedmiotów palnych (świeczek, itp.). Odbiornik TV należy chronić przed zalaniem i nie stawiać na nim żadnych przedmiotów wypełnionych wodą, np. wazonów.

Kawałki szkła lub uszkodzenia:

- W odbiorniku nie należy rzucać żadnymi przedmiotami. Może to spowodować uszkodzenie szkła ekranu i prowadzić do poważnych obrażeń ciała.
- W przypadku pęknięcia powierzchni ekranu lub obudowy telewizora, przed dotknięciem odbiornika należy wyjąć wtyczkę przewodu zasilającego z gniazdko. Niezastosowanie się do powyższego zalecenia może spowodować porażenie prądem elektrycznym.

Gdy odbiornik TV nie jest używany

- Mając na uwadze kwestie ochrony środowiska i bezpieczeństwa, zaleca się odłączenie odbiornika od źródła zasilania, jeśli nie będzie on używany przez kilka dni.
- Ponieważ wyłączenie odbiornika telewizyjnego nie powoduje odciążenia zasilania, w celu całkowitego wyłączenia urządzenia należy wyjąć wtyczkę przewodu zasilającego z gniazdko sieciowego.
- Niektóre odbiorniki mogą być jednak wyposażone w funkcje wymagające pozostawienia ich w trybie gotowości.

Zalecenia dot. bezpieczeństwa dzieci

- Nie należy pozwalać, aby na odbiornik TV wspinały się dzieci.
- Małe akcesoria należy przechowywać z dala od dzieci tak, aby uniknąć ryzyka ich przypadkowego połknięcia.

Co robić w przypadku wystąpienia problemów...

W przypadku wystąpienia jednego z poniższych problemów należy bezwzględnie **wyłączyć** odbiornik TV oraz wyjąć wtyczkę zasilającą z gniazdko sieciowego.

Należy zwrócić się do punktu sprzedaży lub punktu serwisowego firmy Sony z prośbą o sprawdzenie odbiornika przez wykwalifikowanego serwisanta.

W przypadku:

- Uszkodzenia przewodu zasilającego.
- Gniazd sieciowych słabo trzymających wtyczkę.
- Uszkodzenia odbiornika w wyniku jego upuszczenia lub uderzenia przez obiekt obcy.
- Dostania się do wnętrza odbiornika cieczy lub przedmiotów obcych.

Informacje o temperaturze monitora LCD

Gdy monitor LCD jest używany przez dłuższy czas może dojść do rozgrzania się miejsc wokół panelu. Po dotknięciu dłońmi tych miejsc możesz poczuć, że są gorące.

UCHWYT ŚCIENNY

Poniżej podano informacje opisujące prawidłowe postępowanie z uchwytem ściennym. Należy przeczytać dokładnie te informacje i prawidłowo używać uchwyty ściennego.

Informacja dla Klientów:

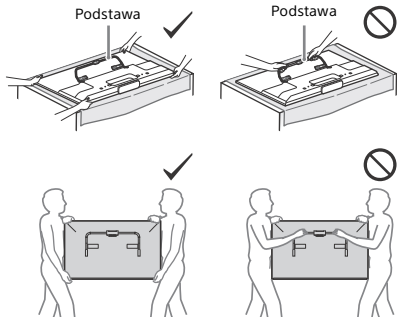
Należy przestrzegać następujących środków ostrożności w celu uniknięcia poważnych obrażeń na skutek pożaru, porażenia prądem, przewrócenia się lub upadku produktu.

- Instalację należy powierzać licencjonowanym wykonawcom i nie pozwalać zbliżać się dzieciom podczas instalacji.
- Przemieszczanie i demontaż telewizora należy powierzać licencjonowanym wykonawcom.
- Nie wykręcać śrub itp. po zamontowaniu telewizora.
- Nie modyfikować elementów uchwyty ściennego.
- Nie montować żadnych innych urządzeń niż wyznaczony produkt.
- Nie obciążać uchwyty ściennego żadnym innym obiektem niż telewizor.
- Nie opierać się ani nie wieszak na telewizorze.
- Nie wywierać zbyt dużej siły na telewizor podczas czyszczenia i konserwacji.

Informacja dla Dystrybutorów Sony i Wykonawców:

Poniższe instrukcje są przeznaczone wyłącznie dla dystrybutorów Sony i wykonawców. Należy przeczytać podane poniżej środki ostrożności i zwracać szczególną uwagę na kwestię bezpieczeństwa podczas instalacji, konserwacji i sprawdzania tego produktu.

- Podczas przenoszenia lub montowania telewizora trzymać go za boki. Nie podnosić telewizora za podstawę.



- Nie instalować uchwyty ściennego w miejscach, w których narożniki lub boki telewizora wystawałyby poza powierzchnię ściany.



- Nie instalować telewizora nad lub pod klimatyzatorem.
- Należy instalować uchwyt ścienny w sposób bezpieczny, zgodnie ze wskazówkami zawartymi w tej instrukcji obsługi. Jeśli którakolwiek ze śrub poluzuje się lub wypadnie, uchwyt ścienny może odpaść, powodując obrażenia lub straty materialne.



- Należy używać dostarczonych śrub i elementów montażowych w prawidłowy sposób, zgodnie ze wskazówkami zawartymi w tej instrukcji obsługi. W razie zastosowania innych elementów telewizor może odpaść, powodując obrażenia lub uszkodzenie telewizora.
- Należy prawidłowo zamontować wspornik, zgodnie z procedurą opisaną w tej instrukcji obsługi.
- Należy mocno wkręcić śruby w wyznaczonych położeniach.
- Należy uważać, aby podczas instalacji nie narazić telewizora na wstrząsy.

- Należy instalować telewizor na prostej i płaskiej ścianie.
- Po prawidłowym zainstalowaniu telewizora należy prawidłowo przymocować kable.
- Nie pozwalać, aby przewód zasilający lub kable połączeniowe zostały zacisnięte, gdyż może to spowodować odslonienie wewnętrznych żył i zwarcie albo przerwę w obwodzie.



Środki ostrożności

Oglądanie telewizji

- Podczas oglądania wideo 3D lub korzystania ze stereoskopowych gier 3D niektóre osoby mogą odczuwać dyskomfort (np. przemęczenie wzroku, zmęczenie lub nudności). Firma Sony zaleca wszystkim użytkownikom regularne przerwy podczas oglądania obrazu 3D lub grania w stereoskopowe gry 3D. Długość i częstotliwość przerw zależy od konkretnej osoby. Każdy musi sam zdecydować, co jest dla niego najlepsze. W razie poczucia dyskomfortu należy przerwać oglądanie wideo 3D oraz granie w stereoskopowe gry 3D, aż dyskomfort minie. W razie potrzeby należy skorzystać z porady lekarza. Należy również zapoznać się z (i) instrukcją obsługi wszelkich innych urządzeń lub nośników używanych z telewizorem, (ii) najnowszymi informacjami na naszej stronie internetowej (<http://support.sony-europe.com/>). Wzrost młodych dzieci (zwłaszcza do szóstego roku życia) cały czas rozwija się. Przed oglądaniem wideo 3D lub graniem w stereoskopowe gry 3D przez dzieci należy skontaktować się z lekarzem (np. pediatrą lub okulistą). Rodzice powinni zwracać uwagę na to, czy małe dzieci przestrzegają powyższych zaleceń.
- Nie wolno używać, przechowywać albo pozostawiać Okularów 3D lub baterii w pobliżu ognia lub w miejscach o wysokiej temperaturze, np. narażonych na bezpośrednie działanie promieni słonecznych lub w samochodach rozgrzanych przez słońce.
- Uwaga: ze względu na przekształcenia wykonywane przez telewizor, obraz wyświetlany przy użyciu funkcji symulacji 3D różni się od obrazu źródłowego.
- Program telewizyjny powinien być oglądany w pomieszczeniu o umiarkowanym oświetleniu, ponieważ oglądanie go w słabym świetle lub przez dłuższy czas jest męczące dla oczu.
- Podczas korzystania ze słuchawek należy unikać nadmiernej poziomu głośności ze względu na ryzyko uszkodzenia słuchu.

Ekran LCD

- Choć ekran LCD został wykonany z wykorzystaniem technologii wysokiej precyzji, dzięki której aktywnych jest ponad 99,99% pikseli, na ekranie mogą pojawiać się czarne plamki lub jasne kropki (w kolorze czerwonym, niebieskim lub zielonym). Jest to jednak właściwość wynikająca z konstrukcji ekranu LCD i nie jest objawem usterki.
- Nie wolno naciskać ani drapać przedniego filtra, a także kłaść na odborniku TV żadnych przedmiotów. Może to spowodować zakłócenia obrazu lub uszkodzenie ekranu LCD.
- Jeśli odbornik TV jest używany w zimnym miejscu, na obrazie mogą wystąpić plamy lub obraz może stać się ciemny. Nie jest to oznaką uszkodzenia telewizora. Zjawiska te zanikają w miarę wzrostu temperatury.
- Długotrwałe wyświetlanie obrazów nieruchomych może spowodować wystąpienie obrazów wtórnych (tzw. zjawy). Mogą one zniknąć po krótkiej chwili.
- Ekran i obudowa nagrzewają się podczas pracy telewizora. Nie jest to oznaką uszkodzenia urządzenia.
- Ekran LCD zawiera niewielką ilość ciekłych kryształów. Podczas utylizacji należy przestrzegać lokalnych zaleceń i przepisów.

Obchodzenie się z powierzchnią ekranu/ obudową odbiornika TV i ich czyszczenie

Przed przystąpieniem do czyszczenia należy wyjąć wtyczkę przewodu zasilającego z gniazodka.

Aby uniknąć pogorszenia stanu materiału lub powłoki ekranu odbiornika, należy postępować zgodnie z poniższymi środkami ostrożności.

- Aby usunąć kurz z powierzchni ekranu/obudowy, należy wytrzeć go delikatnie za pomocą miękkiej ściereczki. Jeśli nie można usunąć kurzu, należy wytrzeć ekran za pomocą miękkiej ściereczki lekko zwilżonej rozcieńczonym roztworem delikatnego detergentu.
- Nie wolno spryskiwać odbiornika TV wodą ani detergentem. Ciecz może przedostać się przez spód ekranu lub elementy zewnętrzne do środka odbiornika i spowodować jego uszkodzenie.
- Nie należy używać szorstkich gąbek, środków czyszczących na bazie zasad lub kwasów, proszków do czyszczenia ani lotnych rozpuszczalników, takich jak alkohol, benzyna, rozcieńczalnik czy środek owadobójczy. Używanie takich środków lub długotrwały kontakt z gumą lub winylem może spowodować uszkodzenie powierzchni ekranu lub obudowy.
- Aby zapewnić właściwą wentylację, zaleca się okresowo odkurzać otwory wentylacyjne.
- Regulację kąta nachylenia odbiornika należy wykonywać powolnym ruchem tak, aby odbiornik nie spadł lub nie zsunął się z podstawy pod telewizor.



Urządzenia dodatkowe

- W pobliżu odbiornika TV nie należy umieszczać urządzeń dodatkowych lub urządzeń emitujących promieniowanie elektromagnetyczne. Może to spowodować zakłócenia obrazu i/lub dźwięku.
- To urządzenie zostało przetestowane i uznane za zgodne z ograniczeniami zawartymi w dyrektywie EMC przy założeniu, że używany jest kabel o długości 3 metrów lub krótszy.

Zalecenie dotyczące wtyku typu F

Długość części przewodu wewnętrznego wystającej z części połączeniowej nie może przekraczać 1,5 mm.



(rysunek przedstawiający wtyk typu F)

Zalecenie dotyczące obsługi pilota

- Przy wkładaniu baterii do pilota zachować właściwą biegunosność.
- Nie należy używać różnych typów baterii jednocześnie ani łączyć starych baterii z nowymi.
- Zużyte baterie należy utylizować w sposób nieszkodliwy dla środowiska naturalnego. W niektórych regionach sposób utylizacji zużytych baterii mogą regulować stosowne przepisy. Należy skontaktować się w tej sprawie z lokalnymi władzami.
- Należy ostrożnie obchodzić się z pilotem. Nie należy nim rzucać, chodzić po nim, ani wylewać na niego żadnych płynów.
- Nie należy kłaść pilota w pobliżu źródeł ciepła lub w miejscach narażonych na bezpośrednie działanie promieni słonecznych. Chronić je przed wilgocią.

Funkcje komunikacji bezprzewodowej

- Urządzenia nie należy używać w pobliżu sprzętu medycznego (rozruszników serca itd.). W przeciwnym wypadku sprzęt medyczny może nie działać prawidłowo.
- To urządzenie wysyła i odbiera sygnał zakodowany. Tym niemniej należy dbać o to, aby nie został on przechwycony przez niepowołane osoby. Nie ponosimy odpowiedzialności za ewentualne problemy wynikające z takich zdarzeń.

UCHWYT ŚCIENNY

- W przypadku długotrwałego użytkowania telewizora zamontowanego za pomocą uchwytu ściennego ściana za telewizorem może ulec odbarwieniu a tapeta może się odkleić, w zależności od materiału, jakim pokryta jest ściana.
- Jeśli uchwyt ścienny zostanie zdjęty po zamontowaniu na ścianie, otwory w ścianie pozostaną.
- Nie używać uchwytu ściennego w miejscu, w którym mógłby być narażony na drgania mechaniczne.

Utylizacja telewizora



Pozbywanie się użytego sprzętu (stosowane w krajach Unii Europejskiej i w pozostałych krajach europejskich stosujących własne systemy zbiórki)

Ten symbol na produkcie lub jego opakowaniu oznacza, że produkt nie może być traktowany jako odpad komunalny, lecz powinno się go dostarczyć do odpowiedniego punktu zbiórki

sprzętu elektrycznego i elektronicznego, w celu recyklingu. Odpowiednie zadysonowanie użytego produktu zapobiega potencjalnym negatywnym wpływom na środowisko oraz zdrowie ludzi, jakie mogłyby wystąpić w przypadku niewłaściwego zagospodarowania odpadów. Recykling materiałów pomaga chronić środowisko naturalne. W celu uzyskania bardziej szczegółowych informacji na temat recyklingu tego produktu, należy skontaktować się z lokalną jednostką samorządu terytorialnego, ze służbami zagospodarowywania odpadów lub ze sklepem, w którym zakupiony został ten produkt.



Pozbywanie się zużytych baterii (stosowane w krajach Unii Europejskiej i w pozostałych krajach europejskich mających własne systemy zbiórki)

Ten symbol umieszczony na baterii lub na jej opakowaniu oznacza, że nie może być ona traktowana jako odpad komunalny. Symbol ten dla pewnych rodzajów baterii może być stosowany w kombinacji z symbolem chemicznym. Symbole chemiczne rtęci (Hg) lub ołowiu (Pb) stosuje się jako dodatkowe oznaczenie, jeśli bateria zawiera więcej niż 0,0005% rtęci lub 0,004% ołowiu. Odpowiednio gospodarując zużytymi bateriami, możesz zapobiec potencjalnym negatywnym wpływom na środowisko oraz zdrowie ludzi, jakie mogłyby wystąpić w przypadku niewłaściwego obchodzenia się z tymi odpadami. Recykling baterii pomoże chronić środowisko naturalne. W przypadku produktów, w których ze względu na bezpieczeństwo, poprawne działanie lub integralność danych wymagane jest stałe podłączenie do baterii, wymianę zużytej baterii należy zlecić wyłącznie wykwalifikowanemu personelowi stacji serwisowej. Aby mieć pewność, że bateria znajdująca się w zużytym sprzęcie elektrycznym i elektronicznym będzie właściwie zagospodarowana, należy dostarczyć sprzęt do odpowiedniego punktu zbiórki. W odniesieniu do wszystkich pozostałych zużytych baterii, prosimy o zapoznanie się z rozdziałem instrukcji obsługi produktu o bezpiecznym demontażu baterii. Zużyta baterię należy dostarczyć do właściwego punktu zbiórki. W celu uzyskania bardziej szczegółowych informacji na temat zbiórki i recyklingu baterii należy skontaktować się z lokalną jednostką samorządu terytorialnego, ze służbami zajmującymi się zagospodarowywaniem odpadów lub ze sklepem, w którym zakupiony został ten produkt.

Montaż telewizora na ścianie

Do klientów

Do zamontowania tego produktu wymagane jest odpowiednie doświadczenie. Należy powierzać montaż przedstawicielom firmy Sony lub licencjonowanym wykonawcom i zwracać szczególną uwagę na bezpieczeństwo podczas montażu. Firma Sony nie ponosi żadnej odpowiedzialności za uszkodzenia lub obrażenia spowodowane nieprawidłową obsługą lub instalacją albo instalacją produktu innego niż wskazany. Powyższe nie wpływa na prawa ustawowe użytkownika (jeśli takie posiada).

Do przedstawicieli firmy Sony i licencjonowanych wykonawców

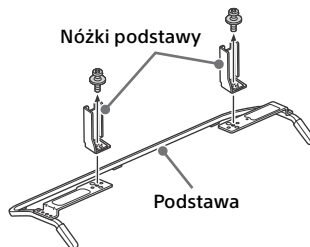
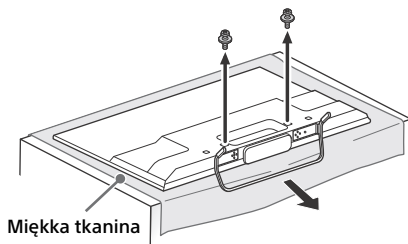
Do zamontowania tego produktu wymagane jest odpowiednie doświadczenie. W celu bezpiecznego wykonania prac należy dokładnie zapoznać się z tą instrukcją obsługi. Firma Sony nie ponosi żadnej odpowiedzialności za uszkodzenia lub obrażenia spowodowane nieprawidłową obsługą lub instalacją.

Podstawa telewizora zostanie użyta jako część uchwyt ścienny.

Uwaga

- Patrz strona 3 (Informacje dotyczące bezpieczeństwa) i strona 5 (Środki ostrożności) w części UCHWYT ŚCIENNY przed wykonaniem montażu uchwyt ścienny.
- Jeśli podstawa jest zamontowana do telewizora, najpierw odłącz podstawę.
- Umieść telewizor z ekranem skierowanym w dół na płaskiej i stabilnej powierzchni nakrytej grubym i miękkim materiałem o powierzchni większej niż powierzchnia telewizora na czas montowania lub odłączania podstawy od telewizora w celu zapobieżenia uszkodzeniu wyświetlacza LCD.
- Po odłączeniu nóżek podstawy od podstawy schowaj nóżki i śruby w bezpiecznym miejscu.
- Podczas ponownego montażu podstawy wkręć śruby (wykręcone poprzednio) do oryginalnych otworów z tyłu telewizora.
- Upewnij się, że telewizor jest ustawiony pionowo przed jego włączeniem. Telewizora nie wolno włączać z panelem wyświetlacza LCD skierowanym w dół, aby zapobiec spadkowi jakości obrazu.

Odłączanie podstawy od telewizora

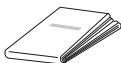


Montaż uchwyty na ścianie

1 Przygotuj niezbędne elementy.

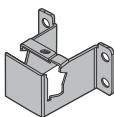
Aksesoria uchwyty ściennego (dołączone do zestawu)

A Szablon papierowy



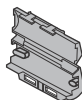
B Baza uchwyty ściennego

KDL-50W82xB,
KDL-50W81xB,
KDL-50W80xB,
KDL-50W70xB (2)
KDL-42W82xB,
KDL-42W81xB,
KDL-42W80xB,
KDL-42/32W70xB (1)



C Osłona podstawy

KDL-50W82xB,
KDL-50W81xB,
KDL-50W80xB,
KDL-50W70xB (2)
KDL-42W82xB,
KDL-42W81xB,
KDL-42W80xB,
KDL-42/32W70xB (1)



D Śruba (+PSW 6 x 12) (2)



E Dystans (2)



F Płytki osłonowe uchwyty

KDL-50W82xB,
KDL-50W81xB,
KDL-50W80xB,
KDL-50W70xB (2)
KDL-42W82xB,
KDL-42W81xB,
KDL-42W80xB,
KDL-42/32W70xB (1)



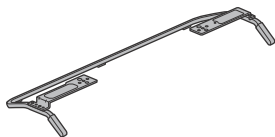
G Śruba (+PSW 4 x 10)

KDL-50W82xB,
KDL-50W81xB,
KDL-50W80xB,
KDL-50W70xB (2)
KDL-42W82xB,
KDL-42W81xB,
KDL-42W80xB,
KDL-42/32W70xB (1)



Podstawa (dołączona do zestawu)

H

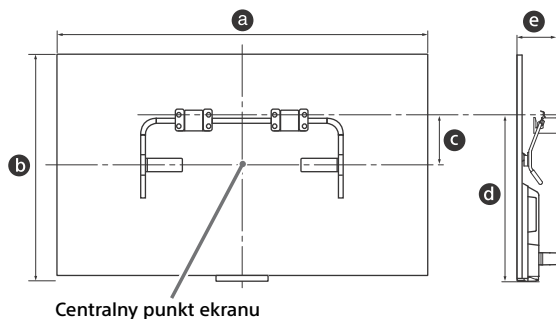


Śruby bazy uchwyty ściennego (śr. 8 mm, niedołączone do zestawu)

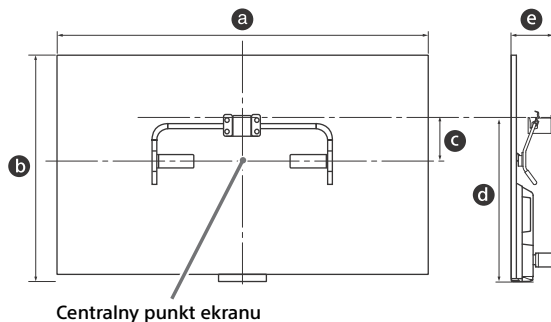
KDL-50W82xB,
KDL-50W81xB,
KDL-50W80xB,
KDL-50W70xB (8)
KDL-42W82xB,
KDL-42W81xB,
KDL-42W80xB,
KDL-42/32W70xB (4)

- 2 Upewnij się, że ściana jest odpowiednich rozmiarów oraz jest w stanie unieść ciężar przynajmniej czterokrotnie większy od ciężaru telewizora. Patrz poniższa tabela odnośnie do montażu telewizora na ścianie. Patrz strona 15-18 (Dane techniczne) odnośnie do wagi telewizora.

KDL-50W82xB, KDL-50W81xB, KDL-50W80xB, KDL-50W70xB



KDL-42W82xB, KDL-42W81xB, KDL-42W80xB, KDL-42/32W70xB



Jednostka: cm

Nazwa modelu	Wymiary monitora		Wymiar środkowy ekranu	Długość montażowa	
	a	b	c	d	e
KDL- 50W82xB/ 50W81xB/ 50W80xB/ 50W70xB	111,6	65,6	13,0	46,9	11,8
42W82xB/ 42W81xB/ 42W80xB/ 42W70xB	95,8	56,3	17,5	46,5	11,8
32W70xB	72,9	43,3	18,8	41,3	11,3

Uwaga

- Wartości w tabeli mogą się nieco różnić, zależnie od sposobu instalacji.

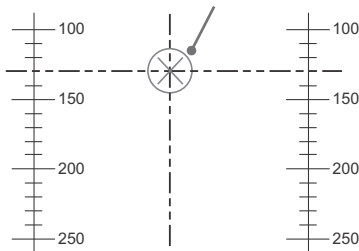
PL

3 Wykonaj na szablonie papierowym **(A)** znak wskazujący środek ekranu telewizora.

**KDL-50W82xB, KDL-50W81xB,
KDL-50W80xB, KDL-50W70xB**

Skala na szablonie papierowym **(A)**

Znak dla KDL-50W82xB, KDL-50W81xB,
KDL-50W80xB, KDL-50W70xB

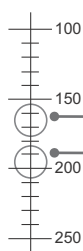


**KDL-42W82xB, KDL-42W81xB,
KDL-42W80xB, KDL-42/32W70xB**

Skala na szablonie papierowym **(A)**

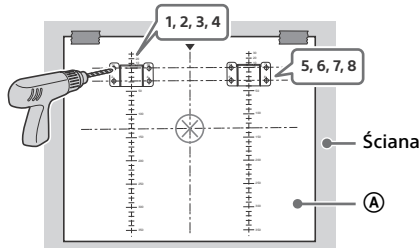
Znak dla KDL-42W82xB,
KDL-42W81xB, KDL-42W80xB,
KDL-42W70xB

Znak dla KDL-32W70xB

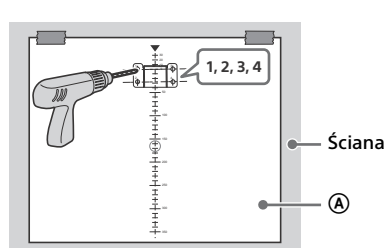


4 Przyklej szablon papierowy **(A)** do ściany i wywierć otwory zgodnie z numeracją na szablonie papierowym **(A)** za pomocą wiertarki elektrycznej.

**KDL-50W82xB, KDL-50W81xB,
KDL-50W80xB, KDL-50W70xB**



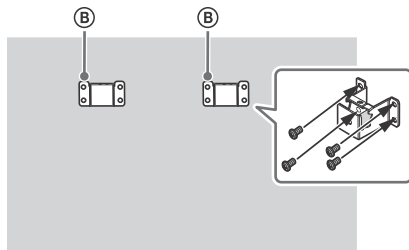
**KDL-42W82xB, KDL-42W81xB,
KDL-42W80xB, KDL-42/32W70xB**



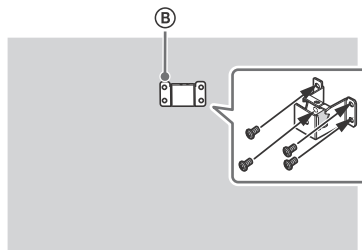
5 Odklej szablon papierowy **(A)** od ściany.

6 Zamontuj w prawidłowy sposób bazę uchwytu ściennego **(B)** na ścianie za pomocą śrub (śr. 8 mm, niedołączone do zestawu).

**KDL-50W82xB, KDL-50W81xB,
KDL-50W80xB, KDL-50W70xB**

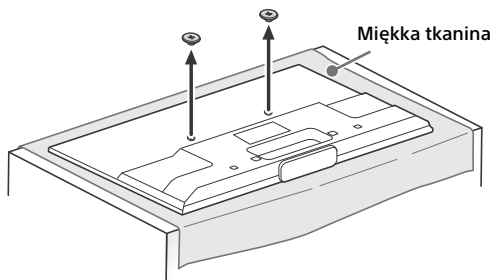


**KDL-42W82xB, KDL-42W81xB,
KDL-42W80xB, KDL-42/32W70xB**



Przygotowanie do zamontowania telewizora

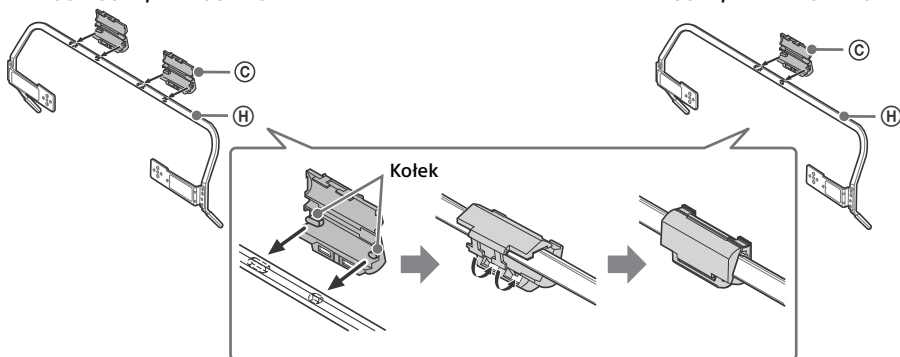
- 1 Wykręć śruby z tyłu telewizora. Schowaj wykręcone śruby w bezpiecznym miejscu, z dala od dzieci.



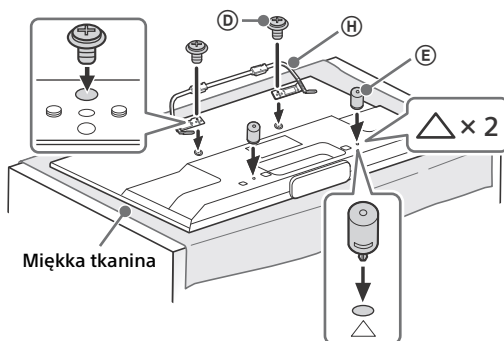
- 2 Wprowadź kołek (na osłonie podstawy ©) do otworu w podstawie ④, a następnie złóż do góry osłonę podstawy ©. Sprawdź, czy zabezpieczenie podstawy © jest mocno zamocowane do podstawy ④.

KDL-50W82xB, KDL-50W81xB,
KDL-50W80xB, KDL-50W70xB

KDL-42W82xB, KDL-42W81xB,
KDL-42W80xB, KDL-42/32W70xB



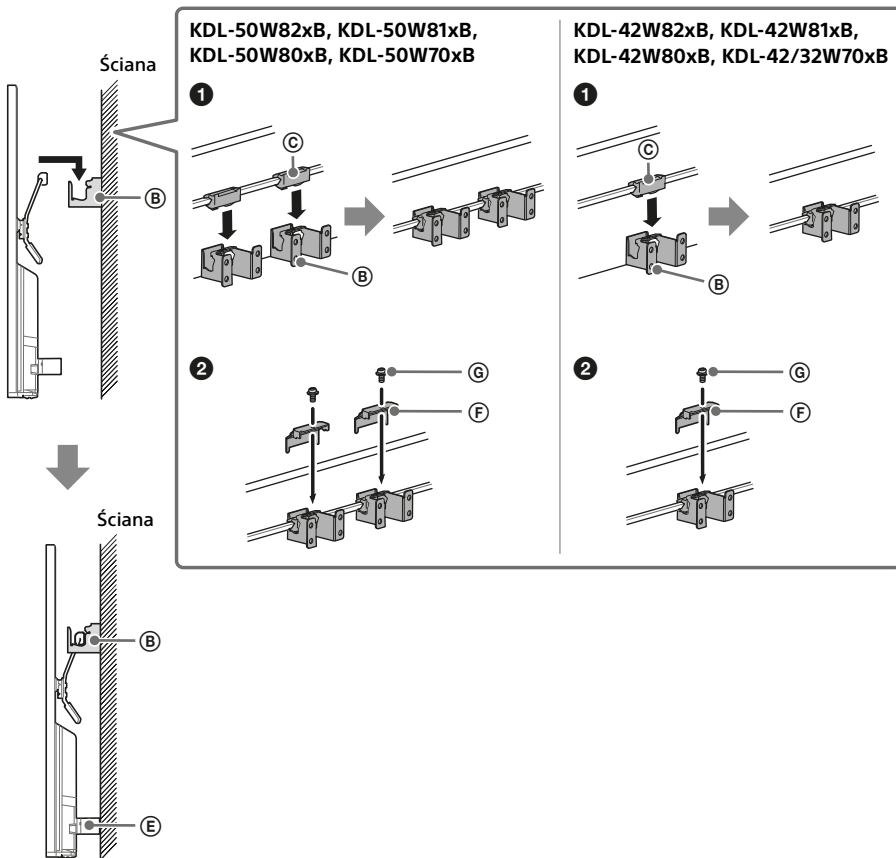
- 3 Zamontuj podstawę ④ do telewizora za pomocą dołączonych śrub ②. Włóż podkładki dystansowe ⑤ do otworów oznaczonych trójkątami Δ. Dla celów poglądowych pokazano model KDL-50W82xB, KDL-50W81xB, KDL-50W80xB, KDL-50W70xB.



PL

Montaż telewizora na ścianie

- 1 Przed zamontowaniem telewizora na ścianie podłącz i poprowadź odpowiednio wszystkie przewody.
- 2 Zamontuj telewizor na ścianie. Następnie sprawdź, czy osłona podstawy © jest dobrze zamocowana w bazie uchwytu ściennego © oraz czy podkładki dystansowe © dotykają ściany. Zamontuj płytkę osłonową uchwytu © za pomocą dołączonych śrub ©.



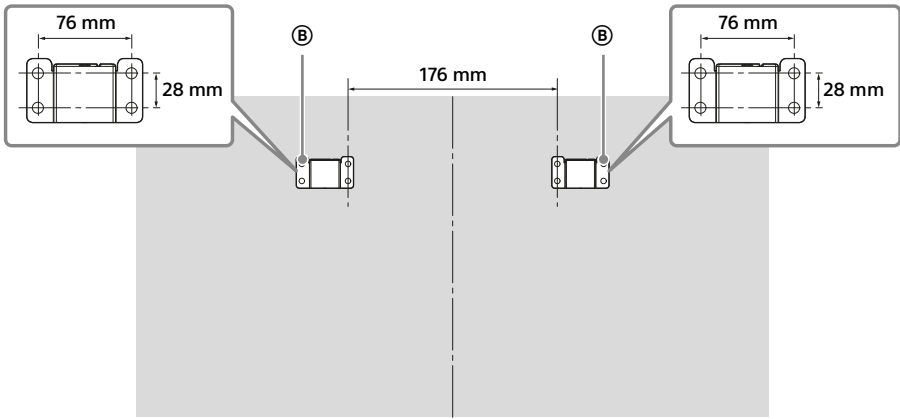
Wymiary położenia otworów w ścianie

Przeznacz te informacje w miarę potrzeby licencjonowanemu wykonawcy.

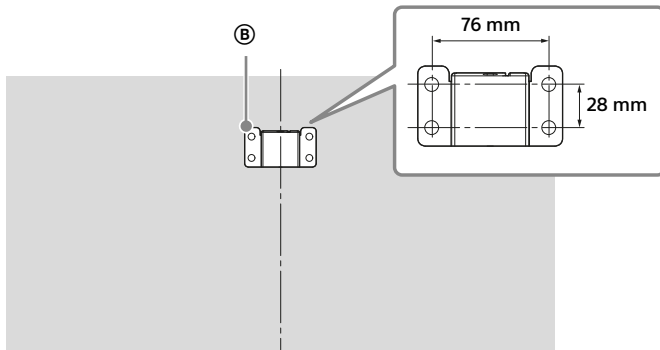
Do zamontowania bazy uchwytu ściennego ② na ścianie użyj śrub (śr. 8 mm, niedołączone do zestawu).

Pamiętaj o użyciu dołączonego szablonu papierowego ① pokazującego rzeczywiste położenie bazy uchwytu ściennego w celu ułatwienia montażu.

KDL-50W82xB, KDL-50W81xB, KDL-50W80xB, KDL-50W70xB



KDL-42W82xB, KDL-42W81xB, KDL-42W80xB, KDL-42/32W70xB



PL



Instrukcje montażu uchwytu ściennego dla telewizora:
www.sony.eu/tv/wall-mount-bracket-manual

Rozwiązywanie problemów

Jeśli wskaźnik LED miga na czerwono, policz liczbę mignięć (odstęp czasu wynosi trzy sekundy).

Gdy dioda podświetlenia LED miga na czerwono, zresetować telewizor, odłączając przewód zasilania od telewizora na dwie minuty, a następnie włączyć telewizor.

Jeśli problem się utrzymuje, skontaktować z przedstawicielem lub punktem serwisowym firmy Sony, podając liczbę mignięć dioda podświetlenia LED na czerwono (odstęp wynosi trzy sekundy). Nacisnąć przycisk I/⏻ na telewizorze, aby go wyłączyć, odłączyć przewód zasilania i skontaktować z przedstawicielem lub punktem serwisowym firmy Sony.

Jeśli wskaźnik LED nie miga, sprawdź elementy wymienione w poniższej tabeli.

Patrz również [Rozwiązywanie problemów] w i-Manual albo wykonaj automatyczną diagnostykę poprzez wybranie ? [Pomoc] → [Pomoc techniczna] → [Automatyczna diagnostyka]. Jeśli problem się utrzymuje, należy zlecić wykonanie naprawy telewizora wykwalifikowanemu personelowi serwisowemu.

Problemy i rozwiązania

Brak obrazu (ekran jest ciemny), brak dźwięku.

- Sprawdź podłączenie anteny/kabla.
- Podłącz telewizor do zasilania i naciśnij przycisk I/⏻ na telewizorze lub pilocie.

Niektórych programów nie można dostrzec.

- Sprawdź podłączenie anteny lub anteny satelitarnej.
- Kabel odbiornika satelitarnego może być zwarty lub występuje problem z połączeniem kabla. Sprawdzić kabel i połączenie, wyłączyć odbiornik TV przy użyciu włącznika/wyłącznika zasilania, a następnie włączyć go ponownie.
- Wprowadzona częstotliwość jest poza zakresem. Należy skontaktować się z operatorem telewizji satelitarnej.

Nie znaleziono żadnych usług telewizji kablowej (programów).

- Sprawdź podłączenie kabla lub konfigurację strojenia.
- Zmień opcję [Kablowa] na [Naziemna] i spróbuj ponownie wykonać funkcję [Autoprogramowanie cyfrowe].

Pilot nie działa.

- Wymień baterie.
- Telewizor może być w trybie SYNC. Naciśnij przycisk **SYNC MENU**, wybierz opcję [Sterowanie telewizorem], a następnie wybierz opcję [Główne (menu)] lub [Opcje], aby sterować telewizorem.

Nie pamiętasz hasła funkcji [Ochrona przed dziećmi].

- Wprowadź 9999 jako kod PIN. (kod PIN 9999 jest zawsze akceptowany.)

Otoczenie telewizora może się nagrzać.

- Jeśli telewizor jest używany przez dłuższy czas, jego otoczenie może się nagrzać. Należy uważać na dotykanie tych miejsc ręką, gdyż mogą być gorące.

Zamrożony obraz lub dźwięk, pusty ekran, telewizor nie odpowiada na naciskanie przycisków na telewizorze lub pilocie.

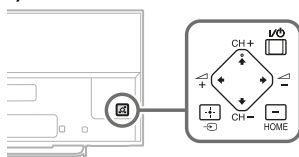
- Należy wykonać prosty reset, odłączając przewód telewizora od zasilania na dwie minuty, a następnie podłączając go z powrotem.

Nie można znaleźć przycisków I/⏻, CH+/-,


⏪ +/-, ⏩ +/-/⏪/⏩, ⏻, [] i HOME na telewizorze.

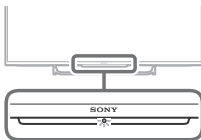
- Patrz poniższa ilustracja odnośnie do lokalizacji przycisków na telewizorze.

Tył telewizora



Dioda podświetlenia LED jest włączona.


- Jeśli nie chcesz, aby dioda podświetlenia LED była włączona, możesz ją wyłączyć. Naciśnij **HOME**, następnie wybierz  [Ustawienia] → [Ustawienia systemowe] → [Konfiguracja funkcji ogólnych] → [Dioda podświetlenia LED] → [Wył.]. Możesz również nacisnąć **OPTIONS**, a następnie wybrać [Dioda podświetlenia LED] → [Wył.].



Brak możliwości połączenia z routerem bezprzewodowym poprzez WPS.

- W przypadku stosowania zabezpieczenia WEP wybierz [Podstawowy] → [Wi-Fi] → [Połącz — lista wyszukiwania]. Następnie wybierz nazwę sieci (SSID), z którą chcesz się połączyć.

Nie można znaleźć żądanej nazwy sieci w ustawieniach sieci.

- Wybierz [[Wprowadzanie ręczne]] i naciśnij , aby wprowadzić nazwę sieci.

Dane techniczne

System

System panelu

Panel z wyświetlaczem ciekłokrystalicznym (LCD),
Podświetlenie LED

System TV

Analogowy: W zależności od kraju/obszaru:

B/G, D/K, L, I, M

Cyfrowy: DVB-T/DVB-C
DVB-T2

Satelita: DVB-S/DVB-S2

System kodowania kolorów

Analogowy: PAL, SECAM, NTSC3.58, NTSC4.43

Cyfrowy: Patrz i-Manual.

Zakres kanałów

Analogowy: UHF/VHF/kablowe, W zależności od
zaznaczonego kraju/obszaru.

Cyfrowy: UHF/VHF/kablowe, W zależności od
zaznaczonego kraju/obszaru.

Satelita: częstotliwość 950-2150 MHz

Wyjście dźwięku

8 W + 8 W (z wyjątkiem modelu KDL-32W70xB)

5 W + 5 W (tylko KDL-32W70xB)

Technologia bezprzewodowa

Protokół IEEE802.11a/b/g/n

Gniazda wejściowe/Wyjściowe

Kabel antenowy

75-omowa antena zewnętrzna VHF/UHF

Antena satelitarna

Żeńskie złącze typu F, IEC169-24, 75 omowa.

DiSEqC 1.0, LNB 13V/18V i sygnał 22 kHz, Dystr. za
pomocą poj. kabla EN50494.

AV1

21-wtykowe złącze SCART (standard CENELEC), w
tym wejście audio/wideo, wejście RGB, wyjście
audio/wideo TV.

COMPONENT IN

YPbPr (wideo komponentowe): 1080p (50, 60 Hz),
1080i (50, 60 Hz), 720p (50, 60 Hz), 576p, 576i,
480p, 480i

Wejście audio (gniazda foniczne)

AV2

Wejście wideo (wspólny bolec foniczny z
wejściem Y)

HDMI IN 1, 2, 3, 4 (z wyjątkiem modelu

KDL-50/42/32W70xB)

Wideo (2D): 1080p (30, 50, 60 Hz), 1080/24p,
1080i (50, 60 Hz), 720p (30, 50, 60 Hz), 720/24p,
576p, 576i, 480p, 480i, Formaty komputerowe

Wideo (3D):

Kompresja ramek: 1080p (30 Hz), 1080/24p, 1080i (50, 60 Hz), 720p (30, 50, 60 Hz), 720/24p
Obok siebie: 1080p (50, 60 Hz), 1080/24p, 1080i (50, 60 Hz), 720p (50, 60 Hz)
Nad i pod: 1080p (30, 50, 60 Hz), 1080/24p, 1080i (50, 60 Hz), 720p (50, 60 Hz)

Audio: Liniowe PCM 5.1 kanałów: 32, 44,1 i 48 kHz, 16, 20 i 24 bity, Dolby Digital
ARC (Audio Return Channel) (tylko HDMI IN 2)

HDMI IN 1, 2, 3, 4 (tylko KDL-50/42/32W70xB)

Wideo: 1080p (30, 50, 60 Hz), 1080/24p, 1080i (50, 60 Hz), 720p (30, 50, 60 Hz), 720/24p, 576p, 576i, 480p, 480i, Formaty komputerowe
Audio: Liniowe PCM 5.1 kanałów: 32, 44,1 i 48 kHz, 16, 20 i 24 bity, Dolby Digital
ARC (Audio Return Channel) (tylko HDMI IN 2)

MHL (wspólne z HDMI IN 1)

(z wyjątkiem modelu KDL-50/42/32W70xB)

Wideo (2D): 1080p (30 Hz), 1080/24p, 1080i (50, 60 Hz), 720p (30, 50, 60 Hz), 720/24p, 576p, 576i, 480p, 480i

Wideo (3D):

Obok siebie: 1080/24p, 1080i (50, 60 Hz), 720p (50, 60 Hz)
Nad i pod 1080p: 1080p (30 Hz), 1080/24p, 1080i (50, 60 Hz), 720p (50, 60 Hz)

Audio: Liniowe PCM 5.1 kanałów: 32, 44,1 i 48 kHz, 16, 20 i 24 bity, Dolby Digital

MHL (wspólne z HDMI IN 1)

(tylko KDL-50/42/32W70xB)

Wideo: 1080p (30 Hz), 1080/24p, 1080i (50, 60 Hz), 720p (30, 50, 60 Hz), 720/24p, 576p, 576i, 480p, 480i
Audio: Liniowe PCM 5.1 kanałów: 32, 44,1 i 48 kHz, 16, 20 i 24 bity, Dolby Digital


DIGITAL AUDIO OUT (OPTICAL)

Cyfrowe gniazdo optyczne (dwukanałowe liniowe PCM, Dolby Digital)

AUDIO OUT/⌚

Wyjście audio (minijack stereo)
Gniazdo słuchawkowe
(wyjście dodatkowego subwoofera)

1 (HDD REC), 2

Port USB urządzenia HDD (tylko  1), Port USB



Gniazdo CAM (Modułu Warunkowego Dostępu)

DC IN 19.5 V

Wejście zasilacza

LAN

Gniazdo 10BASE-T/100BASE-TX (Prędkość połączenia zależy od parametrów sieci. Nie gwarantuje się prędkości i jakości transmisji przez gniazdo 10BASE-T/100BASE-TX tego odbiornika TV.)

Inne

Wyposażenie dodatkowe

Panel dotyk. zdalnego ster.: RMF-ED004
Moduł kamery i mikrofonu: CMU-BR200/
CMU-BR100
Bezprzewodowy subwoofer: SWF-BR100
Kabel MHL: DLC-MB10/DLC-MB20/DLC-MC10/
DLC-MC20
Aktywne okulary 3D: TDG-BT500A (tylko
KDL-50W82xB, KDL-50W81xB, KDL-50W80xB)



Pasywne okulary 3D: TDG-500P
(tylko KDL-42W82xB, KDL-42W81xB,
KDL-42W80xB)



Temperatura robocza

0 °C – 40 °C

Wilgotność robocza

10 % – 80 % wilgotności względnej (bez
kondensacji)

Zasilanie i inne

Wymagania dotyczące zasilania

19,5 V prądu stałego z zasilaczem sieciowym
Parametry: Wejście 220 V–240 V prądu
zmiennego (AC), 50 Hz

Klasa efektywności energetycznej

KDL-50W82xB, KDL-50W81xB, KDL-50W80xB,
KDL-50W70xB: A++
KDL-42W82xB, KDL-42W81xB, KDL-42W80xB,
KDL-42W70xB: A+
KDL-32W70xB: A

Wielkość ekranu (mierzona po przekątnej) (ok.)

KDL-50W82xB, KDL-50W81xB, KDL-50W80xB,
KDL-50W70xB: 50 cali / 125,7 cm
KDL-42W82xB, KDL-42W81xB, KDL-42W80xB,
KDL-42W70xB: 42 cali / 106,7 cm
KDL-32W70xB: 32 cali / 80,1 cm

Pobór mocy

w trybie [Standardowy]

KDL-50W82xB, KDL-50W81xB, KDL-50W80xB,
KDL-50W70xB: 51 W
KDL-42W82xB, KDL-42W81xB, KDL-42W80xB,
KDL-42W70xB: 50 W
KDL-32W70xB: 39 W

w trybie [Żywy]

KDL-50W82xB, KDL-50W81xB, KDL-50W80xB,
KDL-50W70xB: 100 W
KDL-42W82xB, KDL-42W81xB, KDL-42W80xB,
KDL-42W70xB: 99 W
KDL-32W70xB: 80 W

Przeciętne roczne zużycie energii*1

KDL-50W82xB, KDL-50W81xB, KDL-50W80xB,
KDL-50W70xB: 71 kWh
KDL-42W82xB, KDL-42W81xB, KDL-42W80xB,
KDL-42W70xB: 69 kWh
KDL-32W70xB: 54 kWh

Pobór mocy w stanie czuwania*2

0,5 W (10 W w trybie aktualizacji oprogramowania
lub elektronicznego przewodnika po programach)

Rozdzielczość ekranu

1 920 punktów (w poziomie) × 1 080 linii (w pionie)

Wymiary (ok.) (szer. × wys. × gł.)

z podstawą

KDL-50W82xB, KDL-50W81xB, KDL-50W80xB,
KDL-50W70xB: 111,6 × 69,3 × 17,9 cm
KDL-42W82xB, KDL-42W81xB, KDL-42W80xB,
KDL-42W70xB: 95,8 × 60,0 × 17,0 cm
KDL-32W70xB: 72,9 × 46,5 × 14,1 cm

bez podstawy

KDL-50W82xB, KDL-50W81xB, KDL-50W80xB,
KDL-50W70xB: 111,6 × 65,6 × 6,4 cm
KDL-42W82xB, KDL-42W81xB, KDL-42W80xB,
KDL-42W70xB: 95,8 × 56,3 × 6,4 cm
KDL-32W70xB: 72,9 × 43,3 × 6,4 cm

Waga (ok.)

z podstawą

KDL-50W82xB, KDL-50W81xB, KDL-50W80xB,
KDL-50W70xB: 14,8 kg
KDL-42W82xB, KDL-42W81xB, KDL-42W80xB,
KDL-42W70xB: 11,7 kg
KDL-32W70xB: 7,9 kg

bez podstawy

KDL-50W82xB, KDL-50W81xB, KDL-50W80xB,
KDL-50W70xB: 13,6 kg
KDL-42W82xB, KDL-42W81xB, KDL-42W80xB,
KDL-42W70xB: 10,5 kg
KDL-32W70xB: 6,9 kg

*1 Zużycie energii rocznie, w oparciu o wyliczenie zużycia energii dla telewizora pracującego 4 godziny dziennie przez 365 dni w roku. Rzeczywiste zużycie energii zależy od sposobu korzystania z telewizora.

*2 Podany pobór mocy w trybie czuwania jest osiągnięty po zakończeniu wykonywania przez odbiornik TV wymaganych procesów wewnętrznych.

Uwaga

- Symbol „x”, który pojawia się w nazwie modelu, odpowiada jednemu znakowi numerycznemu opisującemu projekt, kolor lub system transmitowania telewizji.
- Nie wyjmuj atrapy karty z gniazda CAM (Modułu Warunkowego Dostępu) telewizora w innym celu niż włożenie do gniazda CAM karty inteligentnej.
- Dostępność akcesoriów opcjonalnych zależy od kraju, regionu, modelu telewizora i stanu magazynowego.
- Projekt i dane techniczne mogą zostać zmienione bez powiadomienia.
- W tym telewizorze zastosowano MHL 2.

Informacje dotyczące funkcji Telewizji Cyfrowej

- Wszystkie funkcje dotyczące Telewizji Cyfrowej (DVB) dostępne są tylko w krajach lub na obszarach, gdzie nadawane są sygnały cyfrowej telewizji naziemnej DVB-T/DVB-T2 (MPEG-2 i H.264/MPEG-4 AVC) lub w miejscach, w których istnieje dostęp do kompatybilnych z urządzeniem sygnałów kablowych DVB-C (MPEG-2 i H.264/MPEG-4 AVC). Prosimy skontaktować się z lokalnym sprzedawcą, aby ustalić, czy w miejscu Państwa zamieszkania można odbierać sygnały DVB-T/DVB-T2 lub zwrócić się do dostawcy usług kablowych o informacje, czy oferowane przez niego usługi DVB-C będą dostępne w zakupionym odbiorniku TV.
- Państwa dostawca usług kablowych może doliczyć dodatkową opłatę za swoje usługi lub poprosić o podpisanie stosownej umowy.
- Zakupiony model telewizora jest dostosowany do odbioru sygnałów telewizji naziemnej DVB-T/DVB-T2 oraz kablowej DVB-C, nie można jednak zagwarantować jego kompatybilności z tworzonymi w przeszłości programami w formacie DVB-T/DVB-T2 lub DVB-C.
- W niektórych krajach lub regionach pewne funkcje Telewizji Cyfrowej lub kablowej DVB-C mogą być niedostępne.

Informacje dot. znaków towarowych

- HDMI, logo HDMI i nazwa HDMI High-Definition Multimedia Interface to znaki towarowe lub zarejestrowane znaki towarowe HDMI Licensing LLC na terenie Stanów Zjednoczonych i innych krajów.
- DLNA®, logo DLNA oraz DLNA CERTIFIED® są znakami towarowymi, znakami usług lub znakami certyfikacji podmiotu Digital Living Network Alliance.
- Wyprodukowano na licencji Dolby Laboratories. Dolby i symbol z podwójnym D są znakami towarowymi firmy Dolby Laboratories.
- „BRAVIA” i BRAVIA są znakami towarowymi Sony Corporation.
- TrackID jest znakiem towarowym lub zarejestrowanym znakiem towarowym firmy Sony Mobile Communications AB.
- Gracenote, Gracenote eyeQ, Gracenote VideoID, Gracenote Video Explore, Gracenote MusicID, logo i logotyp Gracenote oraz logo „Powered by Gracenote” są znakami towarowymi lub zarejestrowanymi znakami towarowymi Gracenote w USA oraz innych krajach.
- Opera® Devices SDK from Opera Software ASA. Copyright 1995-2014 Opera Software ASA. All rights reserved.
- Wi-Fi, Wi-Fi Direct i Miracast to znaki towarowe lub zarejestrowane znaki towarowe Wi-Fi Alliance.
- Logo „Sony Entertainment Network” oraz nazwa „Sony Entertainment Network” to znaki towarowe firmy Sony Corporation.
- MHL, Mobile High-Definition Link oraz logo MHL są znakami towarowymi lub zarejestrowanymi znakami towarowymi MHL Licensing, LLC.
- W kwestii informacji na temat patentów DTS należy skorzystać z witryny <http://patents.dts.com>. Produkowane na licencji DTS Licensing Limited. DTS, symbol oraz DTS i symbol łącznie są zarejestrowanymi znakami towarowymi, a DTS Digital Surround jest znakiem towarowym DTS, Inc. © DTS, Inc. Wszelkie prawa zastrzeżone.
- Designed with UEI Technology™ Under License from Universal Electronics Inc. Portions © UEI 2000 – 2013
- Słowo i logo Bluetooth® stanowią własność Bluetooth SIG, Inc. i wszelkie użycie tych znaków przez Sony Corporation odbywa się na mocy licencji. Pozostałe znaki i nazwy towarowe należą do odpowiednich właścicieli.
- DiSEqC™ jest znakiem towarowym firmy EUTELSAT. Telewizor obsługuje funkcję DiSEqC1.0. Dany telewizor nie jest przeznaczony do sterowania antenami z napędem.

Obsah

DŮLEŽITÁ POZNÁMKA	2
Bezpečnostní informace	3
Upozornění	5
Instalace televizoru na zeď	7
Instalace držáků na zeď	8
Příprava instalace televizoru	11
Instalace televizoru na zeď	12
Řešení problémů	14
Problémy a řešení	14
Specifikace	15

Úvod

Děkujeme vám, že jste si vybrali tento výrobek Sony. Před zapnutím televizoru si prosím pozorně přečtete tento návod a uschovejte jej pro budoucí potřebu.

Poznámka

- Než začnete televizor používat, přečtete si „Bezpečnostní informace“ (strana 3).
- Pokyny k „Instalace televizoru na zeď“ jsou uvedeny v tomto návodu k obsluze televizoru.
- Obrázky a ilustrace ve Stručné příručce a v tomto návodu slouží jen pro vaši referenci a mohou se lišit od skutečného vzhledu produktu.

Umístění identifikačního štítku

Štítky s číslem modelu televizoru, datem výroby (měsíc/rok) a jmenovitými hodnotami pro napájení jsou umístěny v zadní části televizoru nebo na obalu.

Štítky s číslem modelu a sériovým číslem síťového adaptéru se nacházejí ve spodní části síťového adaptéru.

VAROVÁNÍ

Z DŮVODU ZAMEZENÍ

RIZIKA POŽÁRU

UCHOVÁVEJTE TENTO

PRODUKT VŽDY Z DOSAHU

SVÍČEK NEBO JINÝCH ZDROJŮ

OTEVŘENÉHO OHNĚ.



DŮLEŽITÁ POZNÁMKA

Tento výrobek byl vyroben buď přímo nebo v zastoupení společností Sony Corporation, 1-7-1 Konan Minato-ku Tokyo, 108-0075 Japonsko. Žádosti týkající se technických požadavků na výrobky danými směrnicemi Evropské unie je třeba adresovat na zplnomocněného zástupce, kterým je Sony Deutschland GmbH, Hedelfinger Strasse 61, 70327 Stuttgart, SRN. Pro záležitosti servisu a záručních podmínek se obračte na adresy uvedené v servisních a záručních dokumentech.

Poznámka k bezdrátovému signálu



Sony Corporation tímto prohlašuje, že tento výrobek je ve shodě se základními požadavky a dalšími příslušnými ustanoveními směrnice 1999/5/ES. Podrobnosti lze získat na následující URL: <http://www.compliance.sony.de/>

Upozornění pro zákazníky: následující informace se vztahují pouze na přístroje prodávané v zemích podléhajících směrnicím EU.

Bezdrátový televizní systém může být provozován v následujících zemích:

AT, BE, HR, CY, CZ, DK, EE, FI, FR, DE, GR, HU, IE, IT, LV, LT, LU, MT, NL, PL, PT, SK, SI, ES, SE, GB, IS, LI, NO, CH, BG, RO, TR, AL, BA, MK, MD, RS, ME

Toto vybavení může být použito v ostatních neevropských zemích.

Bezpečnostní informace

UPOZORNĚNÍ

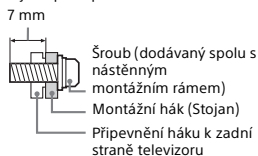
Baterie nesmí být vystaveny přílišnému horku, například slunečnímu světlu, ohni a podobně.

Instalace/Nastavení

Televizor instalujte a používejte podle následujících pokynů, zabráníte tak nebezpečí požáru, úrazu elektrickým proudem nebo poškození anebo zranění.

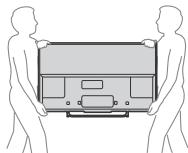
Instalace

- Televizor musí být instalován v blízkosti snadno přístupné zásuvky.
- Umístěte TV na stabilní rovný povrch tak, aby nemohlo dojít k jeho spadnutí a k poranění osob nebo poškození TV.
- Instalaci na stěnu smí provést jen kvalifikovaný servisní technik.
- Z bezpečnostních důvodů důrazně doporučujeme používání příslušenství Sony včetně:
 - Nástěnný držák
- Když k televizoru připevňujete montážní háky (stojan), použijte šrouby dodané s nástěnným držákem. Dodané šrouby jsou navrženy k použití, jak je vyznačeno na obrázku měřeno od montážního povrchu k montážnímu háku (stojanu). Průměr a délka šroubů se liší podle modelu nástěnného montážního rámu. Použití jiných šroubů může mít za následek vnitřní poškození televizoru nebo způsobit jeho pád apod.



Přeprava

- Před přemístěním televizoru odpojte všechny kabely.
 - K přenosu velkého televizoru jsou nutné dvě nebo tři osoby.
 - Když přenášíte TV v rukou, držte je, jak je znázorněno níže.
- Netlačte na LCD panel a rám okolo obrazovky.



- Při přenášení televizoru dbejte na to, aby do něho nenarazil, nebo nadměrně nevíbroval.
- Jestliže vezete televizor do opravy, nebo ho stěhujete, vždy ho zabalte do originální krabice a obalového materiálu.

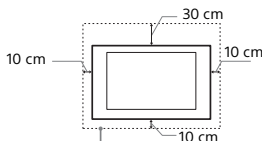
Ochrana proti převrácení

- Než začnete šroub do kovu připevňovat, položte televizor obrazovkou dolů na stabilní pracovní povrch, který je větší než televizor.
- Abyste zabránili poškození povrchu LCD obrazovky, položte na pracovní povrch měkkou látku.

Větrání

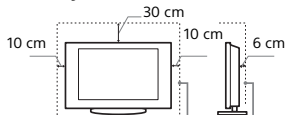
- Nikdy nezakrývejte větrací otvory, ani nic nezasunujte do skříň televizoru.
- Okolo televizoru ponechte volný prostor jako na níže uvedeném obrázku.
- Důrazně doporučujeme použití nástěnného montážního rámu Sony, který zajišťuje dostatečnou cirkulaci vzduchu.

Instalace na stěně



Okolo televizoru ponechte nejméně takto velký volný prostor.

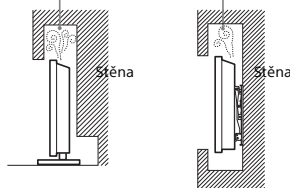
Instalace se stojanem



Okolo televizoru ponechte nejméně takto velký volný prostor.

- K zajištění správného větrání a zabránění usazování nečistot a prachu:
 - Nepokládejte televizor na plochu, neinstalujte ho obráceně, zadní části dopředu nebo z boku.
 - Neumísťujte televizor na polici, kobereček, postel nebo do skříňe.
 - Nezakrývejte televizor látkami jako záclonami, ani různými předměty, např. novinami.
 - Neinstalujte televizor tak, jak je uvedeno na obrázku.

Cirkulace vzduchu je zablokována.



Sítový kabel

Se sítovým kabelem a zástrčkou zacházejte podle následujících pokynů, aby nedošlo k požáru, úrazu elektrickým proudem, poškození anebo zranění.

- Používejte pouze síťové kabely Sony, nikoli kabely jiných dodavatelů.
- Zasuňte zástrčku úplně do síťové zásuvky.
- Televizor používejte pouze v elektrické síti 220-240 V stř.
- Při pokládání kabelů nezapomenejte vytáhnout z bezpečnostních důvodů síťový kabel ze zásuvky a zkontrolujte, zda jste o kabely nezachytili nohama.
- Před prací na televizoru nebo před jeho stěhováním vytáhněte síťový kabel ze zásuvky.
- Sítový kabel musí být instalovaný v dostatečné vzdálenosti od tepelných zdrojů.
- Sítový kabel pravidelně vytáhněte ze zásuvky a vyčistěte ho. Pokud je zástrčka zaprášená a hromadí se na ní vlhkost, může se zhoršit její izolace a způsobit požár.

Poznámka

- Dodávaný síťový kabel nepoužívejte pro žádné jiné zařízení.
- Sítový kabel nesmí být nadměrně stlačený, ohnutý nebo zkroutený. Mohlo by dojít k poškození izolace nebo vodičů.
- Sítový kabel žádným způsobem neupravujte.
- Na síťový kabel nestavte nic těžkého.
- Při odpojování síťového kabelu ze zásuvky netahajte za síťový kabel.
- K jedné přívodní zásuvce nepřipojujte příliš mnoho spotřebičů.
- Nepoužívejte uvolněné elektrické zásuvky.

POZNÁMKA K SÍTOVÉMU ADAPTÉRU

Upozornění

Abyste omezili nebezpečí požáru nebo úraza elektrickým proudem, nevystavujte tento přístroj dešti ani vlhkosti. Abyste zabránili požáru nebo úraza elektrickým proudem, nestavte na zařízení nádoby naplněné tekutinami, například vázy. Zařízení neumísťujte do uzavřených prostor, například do knihoven a podobně.

- Sítová zásuvka se musí nacházet nedaleko přístroje a musí být snadno přístupná.
- Použijte dodaný napájecí adaptér a napájecí kabel.
- Nepoužívejte jiné napájecí adaptéry. Mohlo by dojít k poruše.
- Zapojte napájecí adaptér do snadno přístupné sítové zásuvky.
- Neobtáčejte napájecí kabel kolem napájecího adaptéru. Mohlo by dojít k přerušení vnitřního vodiče a/nebo k poruše přijímače médií.



- Nedotýkejte se napájecího adaptéru mokřými rukama.
- Pokud u napájecího adaptéru zaznamenáte neobvyklé jevy, ihned jej odpojte od sítové zásuvky.
- Přístroj není odpojen od zdroje elektrické energie, dokud je připojen k sítové zásuvce, a to ani pokud byl přístroj samotný vypnut.
- Protože se napájecí adaptér při dlouhodobém používání zahřívá, může být na dotek teplý.

Zakázané použití

Neinstalujte, ani nepoužívejte televizor v dále uvedených místech, prostředích, nebo situacích, protože televizor by mohl špatně fungovat, nebo by mohl způsobit požár, úraz elektrickým proudem nebo poškození majetku anebo zranění.

Umístění:

- Venkovní prostor (na přímém slunečním svitu), na mořském břehu, lodi nebo jiném plavidle, v autě, v lékařských zařízeních, nestabilní umístění, v blízkosti vody, na dešti, ve vlhku nebo kouři.
- Je-li televizor umístěn v převlékárně veřejných lázní nebo u horkých pramenů, může dojít k poškození televizoru působením síry ve vzduchu apod.



- Pro co nejlepší kvalitu obrazu nevystavujte obrazovku přímému světlu nebo slunečnímu světlu.
- Nepřemisťujte televizor z chladného místa do tepla. Náhle změny pokojové teploty by mohly způsobit kondenzaci vlhkosti. Televizor by potom mohl ukazovat nekvalitní obraz a/nebo nekvalitní barvy. Pokud by k tomu došlo, nechte vlhkost zcela odpařit, než televizor spustíte.

Prostředí:

- Horká, vlhká nebo nadměrně prašná místa; místa, na která se může dostat hmyz; tam, kde by mohl být televizor vystaven mechanickým vibracím, v blízkosti hořlavých předmětů (svíček apod.). Na televizor nesmí nic kapat nebo stříkat, ani na něm nesmí stát předměty naplněné tekutinami, jako např. vázy.
- Neumisťujte televizor do uzavřených nebo prašných prostor nebo do místnosti s mastným kouřem nebo párou (blízko kuchyňských desek nebo zvlhčovačů vzduchu). Mohlo by dojít k požáru, úraza elektrickým proudem nebo k deformaci.
- Neinstalujte televizor v místech vystavených extrémním teplotám, například na přímém slunečním světlem, v blízkosti radiátoru nebo větráku topení. Televizor by se v takovém prostředí mohl přehřát, což by mohlo vést k deformaci a/nebo poruše televizoru.



Situace:

- Televizor nepoužívejte, máte-li vlhké ruce, je-li odstraněna skříň televizoru, nebo s příslušenstvím, které výrobce nedoporučil. Během bouřky s blesky odpojte TV od sítové zásuvky a antény.
- Neinstalujte televizor tak, aby vyčníval do volného prostoru. Mohlo by dojít ke zranění nebo k poškození televizoru, kdyby do něj narazil člověk nebo nějaký předmět.



Poškozené díly:

- Na televizor nic neházejte. Sklo na obrazovce se může poškodit a způsobit vážný úraz.
- Jestliže povrch televizoru praskne, nedotýkejte se ho a nejrpe vytáhněte kabel ze zásuvky. Jinak by mohlo dojít k úraza elektrickým proudem.

Když televizor nepoužíváte

- Jestliže televizor nebudete několik dní používat, odpojte ho z bezpečnostních důvodů a kvůli ochraně životního prostředí od sítě.
- Pokud televizor jen vypnete, není odpojený od napájecí sítě; k úplnému odpojení od sítě vytáhněte proto zástrčku ze zásuvky.
- Některé televizory jsou však vybaveny funkcemi, které ke správnému fungování vyžadují ponechání v klidovém stavu.

Pro děti

- Nedovolte dětem, aby na televizor lezly.
- Příslušenství malých rozměrů uschovejte mimo dosah dětí, aby ho nemohly omylem spolknout.

Pokud dojde k následujícímu problému...

Pokud dojde k následujícímu problému, **vypněte** televizor a okamžitě vytáhněte přírodní kabel ze zásuvky.

Požádejte svého prodejce nebo servisní středisko Sony o prohlídku televizoru kvalifikovaným servisním technikem.

Když:

- Přírodní kabel je poškozený.
- Sítová zásuvka je uvolněná.
- Televizor je poškozený pádem na zem, nárazem nebo tím, že na něj něco spadlo.
- Otvory skříňe propadl nějaký předmět, nebo se do něj vyliila nějaká tekutina.

O teplotě LCD monitoru

Když LCD monitor používáte po delší časové období, může se okolí panelu zahřát. Když se ho dotknete rukou, může být na dotek horký.

NÁSTĚNNÝ DRŽÁK

Informace níže popisují správnou manipulaci s nástěnným držákem. Tyto informace si důkladně pročtete a dbejte na to, abyste nástěnný držák používali správně.

Pro zákazníky:

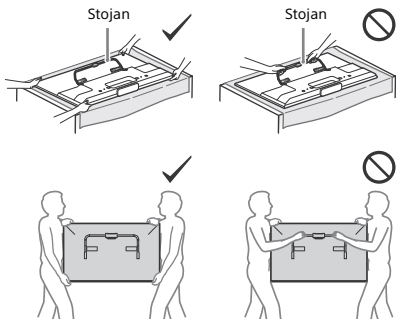
Řiďte se následujícími bezpečnostními opatřeními, abyste zabránili vážnému poranění způsobenému požárem, elektrickým proudem, převrácením nebo upuštěním produktu.

- Instalaci světlé oprávněnému dodavateli, během instalace udržujte děti v dostatečné vzdálenosti.
- Přemisťování nebo demontáž TV světlé oprávněnému dodavateli.
- Po montáži TV neodstraňujte šrouby apod.
- Jednotlivé části nástěnného držáku žádným způsobem neupravujte.
- Na držák nepřipevňujte jiné vybavení, než je uvedený produkt.
- Nezatěžujte nástěnný držák ničím jiným než TV.
- Neopírejte se o TV ani se na něj nezávěšujte.
- S TV při čištění ani údržbě nemanipulujte přílišnou silou.

Pro prodejce a dodavatele Sony:

Následující instrukce jsou určeny pouze prodejčům a autorizovaným dodavatelům Sony. Pečlivě si přečtěte níže uvedená bezpečnostní opatření a při instalaci, údržbě a kontrole tohoto produktu věnujte zvláštní pozornost bezpečnosti.

- Při manipulaci s televizorem nebo při jeho připevňování jej držte ze stran. Nezdvíhejte televizor za stojan.



- Neinstalujte nástěnný držák na stěnu tak, aby rohy nebo boky TV přechýlily přes povrch stěny.



- Neinstalujte TV nad nebo pod klimatizační jednotku.

- Nástěnný držák připevňte bezpečně na zed podle pokynů uvedených v tomto návodu na použití. Pokud by nějaký šroub povolil nebo vypadl, nástěnný držák by mohl spadnout a způsobit zranění nebo škodu na majetku.
- Dodané šrouby a montážní prvky používejte správně podle pokynů uvedených v tomto návodu na použití. Pokud byste položky nahradili jinými, mohl by televizor spadnout a způsobit zranění osob, případně by mohl dojít k poškození televizoru.



- Držák správně smontujte podle postupu s pokyny popsaného v tomto návodu na použití.

- Šrouby pevně utáhněte v příslušné pozici.
- Při instalaci dávejte pozor, abyste TV nevystavili nárazu.
- TV instalujte na kolmou a rovnou stěnu.
- Po správné instalaci TV řádně zajištěte kabely.

- Dbejte na to, aby nedošlo k přiskřípnutí napájecího kabelu nebo spojovacích kabelů, protože by tak mohlo dojít k obnažení vnitřních vodičů, což může vést ke zkratu nebo k úniku elektrického náboje.



Upozornění

Sledování televizoru

- Někteří lidé se mohou při sledování 3D obrazu nebo hraní stereoskopických 3D her cítit nepříjemně (napětí v očích, únava nebo nevolnost). Společnost Sony doporučuje všem uživatelům dělat při sledování 3D obrazu nebo hraní stereoskopických 3D her pravidelné přestávky. Délka a frekvence potřebných přestávek je u různých osob odlišná. Musíte zjistit, jaké řešení je nejlepší. Pokud se cítíte nepříjemně, přestaňte sledovat 3D obraz nebo hrát stereoskopické 3D hry, dokud se váš stav nezlepší. Přečtěte si také (i) příručky k ostatním zařízením a médiím, která s tímto televizorem používáte, (ii) naše webové stránky (<http://support.sony-europe.com/>), kde naleznete nejnovější informace. Zrak malých dětí (obzvláště těch mladších šesti let) se stále vyvíjí. Předtím, než dovolíte malým dětem sledovat 3D obraz nebo hrát stereoskopické 3D hry, poraďte se s lékařem (s pediatrem nebo očním lékařem). Dospělí musí dohlížet na malé děti a zajistit, aby dodržovaly výše uvedené doporučení.
- Nepoužívejte, neskladujte a nenechávejte 3D brýle ani baterii v blízkosti ohně ani na místech s vysokou teplotou – například na přímém slunečním světle nebo v autě zaparkovaném na sluníčku.
- Když budete používat funkci simulovaného 3D, mějte na paměti, že se bude znázorněný obraz kvůli konverzi prováděné tímto televizorem lišit od původního.
- Televizor sledujte za mírného osvětlení, protože sledování televizoru při slabém světle nebo po dlouhou dobu namáhá oči.
- Používáte-li sluchátka, nastavte hlasitost tak, aby zvuk nebyl příliš silný, protože byste si mohli poškodit sluch.

LCD obrazovka

- I když je LCD obrazovka vyrobena vysoce přesnou technologií a 99,99% nebo více pixelů funguje správně, mohou se trvale objevovat černé nebo jasné světelné body (červené, modré nebo zelené). Je to způsobeno strukturálními vlastnostmi LCD obrazovky a nejedná se o závadu.
- Netlačte na přední filtr, ani po něm neškrábejte, a na horní plochu televizoru nepokládejte žádné předměty. Obraz by pak mohl být nerovnoměrný nebo by se LCD obrazovka mohla poškodit.
- Budete-li televizor používat na chladném místě, může se v obraze zobrazit skvrna, nebo obraz ztmavne. Nejde o poruchu televizoru. Tento jev po zvýšení okolní teploty zmizí.
- Při nepřetřetí zobrazení statických obrazů může dojít ke vzniku „dudů“. Po chvíli by se měl tento stav zlepšit.
- Během provozu televizoru se obrazovka i skříň přístroje zahřívají. Neznamená to ale funkční poruchu televizoru.
- LCD obrazovka obsahuje malé množství tekutých krystalů. Při její likvidaci se řiďte místními nařízeními a předpisy.

Zacházení s povrchem obrazovky/skříňky televizoru a jeho čištění

Před čištěním se ujistěte, že jste televizor odpojili vytažením kabelu ze zásuvky.

Abyste předešli zhoršení stavu materiálu nebo svrchní vrstvy obrazovky, dodržujte následující opatření.

- Prach z povrchu obrazovky/skříňky opatrně stírejte měkkým hadříkem. Nepodaří-li se prach takto odstranit, setřete jej jemným hadříkem mírně navlhčeným slabým roztokem rozředěného čistícího prostředku.
- Nikdy nestříkejte vodu ani mycí prostředky přímo na televizor. Mohla by stéct do spodní části obrazovky nebo vnějších částí, dostat se tak do televizoru a televizor tak poškodit.
- Nikdy nepoužívejte jakýkoli typ drsné houbičky, zásadité/kyselé čistící prostředky, brusné prášky ani těkavá rozpouštědla jako alkohol, benzen nebo insekticidy. Při použití těchto materiálů nebo při delším kontaktu s pryžovými nebo vinylovými materiály může dojít k poškození povrchu obrazovky a materiálu skříňky.
- K zajištění správného větrání doporučujeme pravidelné vysávání větracích otvorů.
- Je-li třeba seřídít úhel televizoru, pohybujte televizorem pomalu tak, aby nespadal nebo nesklouzl ze stojanu.

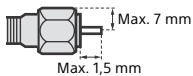


Volitelné zařízení

- Volitelná zařízení nebo jiná zařízení vysílající elektromagnetické záření neinstalujte příliš blízko televizoru. Jinak by mohlo dojít ke zkreslení obrazu anebo šumu.
- Tento produkt byl testován a shledán vhodným limitům stanoveným direktivou EMC pro použití přípojovacích kabelů kratších než 3 metry.

Doporučení pro zásuvku typu „F“

Přesah vnitřního drátu v přípojce musí být méně než 1,5 mm.



(Referenční ilustrace pro zásuvku typu F)

Upozornění na manipulaci s dálkovým ovladačem

- Při vkládání baterií dodržte správnou polaritu.
- Nepoužívejte různé typy baterií, ani nemíchejte současně staré a nové baterie.
- Baterie likvidujte způsobem, který chrání životní prostředí. V některých oblastech je nutné likvidovat baterie podle předpisů. Informujte se prosím u příslušných úřadů.
- S dálkovým ovladačem zacházejte opatrně. Nepouštějte ho na zem, nešlepte po něm, ani na něj nestříkejte žádnou tekutinu.
- Neukládejte dálkový ovladač na místo v blízkosti tepelných zdrojů, nebo na místo vystavené působení přímého slunečního svitu, nebo do vlhké místnosti.

Bezdrátová funkce jednotky

- Nepoužívejte zařízení v blízkosti zdravotních zařízení (kardiostimulátor atd.). Mohlo by dojít k selhání zdravotního zařízení.
- I když tato jednotka vysílá/přijímá zakódované signály, buďte opatrní na neautorizovaný příjem. Za výsledné problémy neneseme zodpovědnost.

NÁSTĚNNÝ DRŽÁK

- Pokud bude televizor nainstalovaný na nástěnném držáku po delší dobu, může stěna za televizorem v závislosti na materiálu stěny změnit barvu nebo se v tomto místě může odlepit tapeta.
- Pokud nástěnný držák po jeho montáži na zeď odstraníte, zůstanou po něm otvory po šroubech.
- Nepoužívejte nástěnný držák na místech, kde byl vystaven mechanickým vibracím.

Likvidace televizoru



Likvidace nepotřebného elektrického a elektronického zařízení (platné v Evropské unii a dalších evropských státech uplatňujících oddělený systém sběru)

Tento symbol umístěný na výrobku nebo jeho balení upozorňuje, že by s výrobkem po ukončení jeho životnosti nemělo být nakládáno jako s běžným odpadem z domácnosti. Je nutné ho odvézt do sběrného místa pro recyklaci elektrického a elektronického zařízení. Zajištěním správné likvidace tohoto výrobku pomůžete zabránit případným negativním dopadům na životní prostředí a lidské zdraví, které by jinak byly způsobeny nevhodnou likvidací výrobku. Recyklováním materiálů, z nichž je vyroben, pomůžete ochránit přírodní zdroje. Podrobnější informace o recyklaci tohoto výrobku zjistíte u příslušného místního obecního úřada, podniku pro likvidaci domovních odpadů nebo v obchodě, kde jste výrobek zakoupili.



Nakládání s nepotřebnými bateriemi (platí v Evropské unii a dalších evropských státech využívajících systém odděleného sběru)

Tento symbol umístěný na baterii nebo na jejím obalu upozorňuje, že s baterií opatřenou tímto označením by se nemělo nakládat jako s běžným domácím odpadem. Symbol nacházející se na určitých typech baterií může být použit v kombinaci s chemickou značkou. Značka pro rtuť (Hg) nebo olovo (Pb) se použijí, pokud baterie obsahuje více než 0,0005% rtuti nebo 0,004% olova. Správným nakládáním s těmito nepotřebnými bateriemi pomůžete zabránit možným negativním dopadům na životní prostředí a lidské zdraví, k nimž by mohlo docházet v případech nevhodného zacházení s vyřazenými bateriemi. Materiálová recyklace pomůže chránit přírodní zdroje. V případě, že výrobek z důvodů bezpečnosti, funkce nebo uchování dat vyžaduje trvalé spojení s vloženou baterií, je třeba, aby takovou baterii vyjmul z přístroje pouze kvalifikovaný personál. K tomu, aby s baterií bylo správně naloženo, předejte výrobek, který je na konci své životnosti na místo, jenž je určené ke sběru elektrických a elektronických zařízení za účelem jejich recyklace. Pokud jde o ostatní baterie, prosím, nahlédněte do té části návodu k obsluze, která popisuje bezpečné vyjmutí baterie z výrobku. Nepotřebnou baterii odevzdejte k recyklaci na příslušné sběrné místo. Pro podrobnější informace o recyklaci tohoto výrobku či baterii kontaktujte, prosím, místní obecní úřad, podnik zabezpečující místní odpadové hospodářství nebo prodejnu, kde jste výrobek zakoupili.

Instalace televizoru na zeď

Pro zákazníky

Pro montáž tohoto produktu jsou zapotřebí dostatečné zkušenosti. Montáž svěřte prodejcům společnosti Sony nebo autorizovaným dodavatelům, během montáže věnujte zvýšenou pozornost bezpečnosti. Společnost Sony nenese zodpovědnost za škody nebo zranění způsobené nesprávnou manipulací nebo montáží či instalací jiného než uvedeného produktu. Vaše (případná) zákonná práva nejsou tímto dotčena.

Pro prodejce a dodavatele Sony

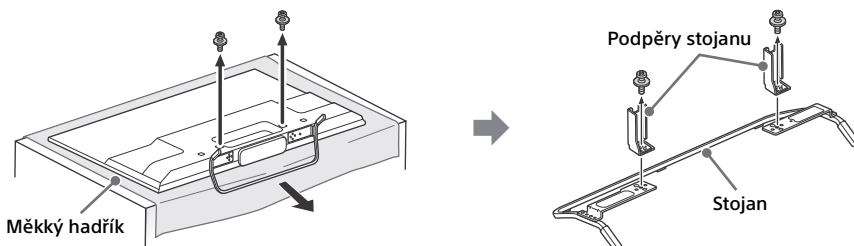
Pro montáž tohoto produktu jsou zapotřebí dostatečné zkušenosti. Důkladně si tento návod na použití přečtěte, abyste montáž provedli bezpečně. Společnost Sony nenes zodpovědnost za škody nebo zranění způsobené nesprávnou manipulací nebo montáží.

Stolní stojan vašeho televizoru bude využit jako součást nástěnného držáku.

Poznámka

- Než se pustíte do instalace nástěnného držáku, viz informace o NÁSTĚNNÉM DRŽÁKU na straně 3 (Bezpečnostní informace) a na straně 5 (Upozornění).
- Pokud je k televizoru připevněn stolní stojan, nejprve stolní stojan odmontujte.
- Při zajišťování stojanu nebo demontáži stolního stojanu od televizoru televizor položte obrazovkou dolů na rovnou a stabilní pracovní plochu pokrytou silnou a měkkou látkou, která je větší než televizor, aby nedošlo k poškození LCD displeje.
- Jakmile od stojanu odmontujete podpěry stojanu, uložte podpěry stojanu a šrouby na bezpečné místo.
- Když budete znovu připevňovat stolní stojan, nezapomeňte utáhnout (dříve odstraněné) šrouby v původních otvorech v zadní části televizoru.
- Než TV zapnete, ujistěte se, že je v kolmé poloze. TV nezapínejte, když se nachází LCD displejem směrem dolů, obraz by mohl být zobrazen nerovnoměrně.

Odpojení stolního stojanu od televizoru

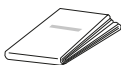


Instalace držáků na zeď

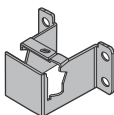
1 Připravte si nezbytné položky.

Příslušenství nástěnného držáku (dodané)

A Papírová šablona



B Základna pro montáž na zeď KDL-50W82xB, KDL-50W81xB, KDL-50W80xB, KDL-50W70xB (2) KDL-42W82xB, KDL-42W81xB, KDL-42W80xB, KDL-42/32W70xB (1)



C Ochrana stojanu KDL-50W82xB, KDL-50W81xB, KDL-50W80xB, (2) KDL-50W70xB (2) KDL-42W82xB, KDL-42W81xB, KDL-42W80xB, KDL-42/32W70xB (1)



D Šroub (+PSW 6 x 12) (2)



E Podložka (2)



F Krycí deska držáku KDL-50W82xB, KDL-50W81xB, KDL-50W80xB, KDL-50W70xB (2) KDL-42W82xB, KDL-42W81xB, KDL-42W80xB, KDL-42/32W70xB (1)

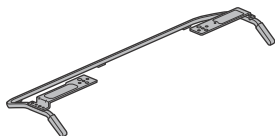


G Šroub (+PSW 4 x 10) KDL-50W82xB, KDL-50W81xB, KDL-50W80xB, KDL-50W70xB (2) KDL-42W82xB, KDL-42W81xB, KDL-42W80xB, KDL-42/32W70xB (1)



Stojan (dodaný)

H



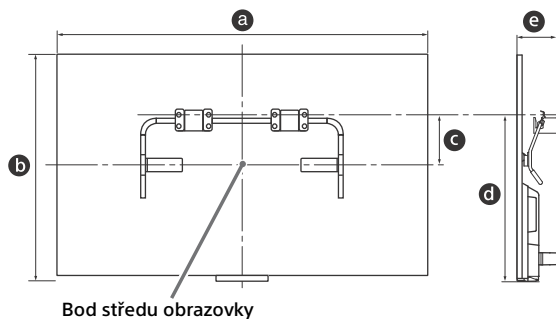
Šrouby základny pro montáž na zeď (8 mm v průměru, nejsou součástí dodávky)

KDL-50W82xB,
KDL-50W81xB,
KDL-50W80xB,
KDL-50W70xB (8)
KDL-42W82xB,
KDL-42W81xB,
KDL-42W80xB,
KDL-42/32W70xB (4)

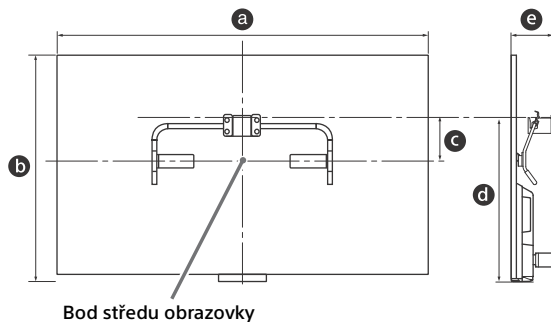
2 Dbejte na to, aby byl na zdi dostatek prostoru a aby zeď unesla alespoň čtyřnásobek hmotnosti televizoru.

Informace o instalaci televizoru na zeď naleznete v následující tabulce. Informace o hmotnosti televizoru naleznete na straně 15-18 (Specifikace).

KDL-50W82xB, KDL-50W81xB, KDL-50W80xB, KDL-50W70xB



KDL-42W82xB, KDL-42W81xB, KDL-42W80xB, KDL-42/32W70xB



Jednotka: cm

Název modelu	Rozměry obrazovky		Rozměr ve středu obrazovky	Délka pro montáž	
	a	b	c	d	e
KDL- 50W82xB/ 50W81xB/ 50W80xB/ 50W70xB	111,6	65,6	13,0	46,9	11,8
42W82xB/ 42W81xB/ 42W80xB/ 42W70xB	95,8	56,3	17,5	46,5	11,8
32W70xB	72,9	43,3	18,8	41,3	11,3

Poznámka

- Hodnoty v tabulce se mohou mírně lišit v závislosti na instalaci.

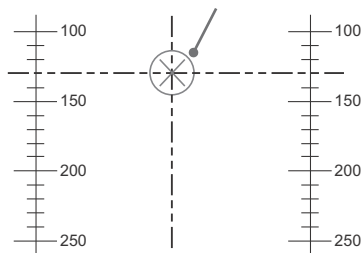
CZ

3 Na papírové šabloně (A) si vyznačte střed obrazovky televizoru.

**KDL-50W82xB, KDL-50W81xB,
KDL-50W80xB, KDL-50W70xB**

Měřítko na papírové šabloně (A)

Značka pro KDL-50W82xB, KDL-50W81xB,
KDL-50W80xB, KDL-50W70xB

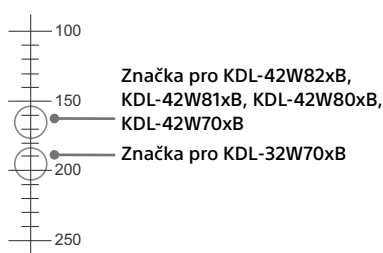


**KDL-42W82xB, KDL-42W81xB,
KDL-42W80xB, KDL-42/32W70xB**

Měřítko na papírové šabloně (A)

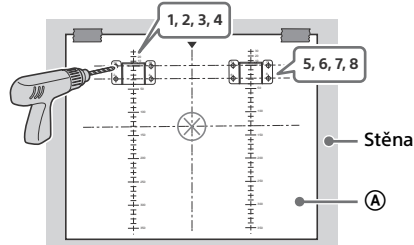
Značka pro KDL-42W82xB,
KDL-42W81xB, KDL-42W80xB,
KDL-42W70xB

Značka pro KDL-32W70xB

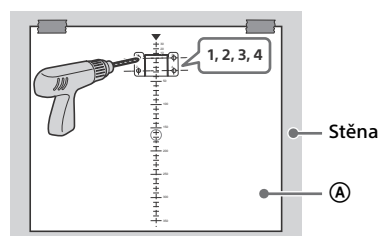


4 Páskou připevněte papírovou šablonu (A) ke zdi a pomocí elektrické vrtačky vyvrtejte otvory podle čísel na papírové šabloně (A).

**KDL-50W82xB, KDL-50W81xB,
KDL-50W80xB, KDL-50W70xB**



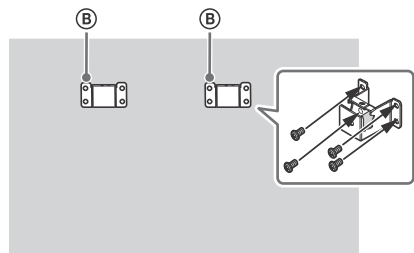
**KDL-42W82xB, KDL-42W81xB,
KDL-42W80xB, KDL-42/32W70xB**



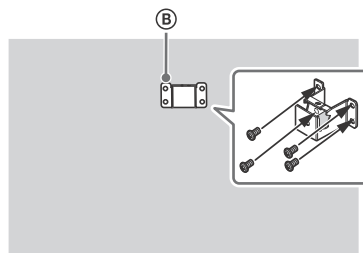
5 Sejměte papírovou šablonu (A) ze zdi.

6 Připevněte správně základny pro montáž na zeď (B) ke zdi pomocí šroubů (8 mm v průměru, nejsou součástí dodávky).

**KDL-50W82xB, KDL-50W81xB,
KDL-50W80xB, KDL-50W70xB**

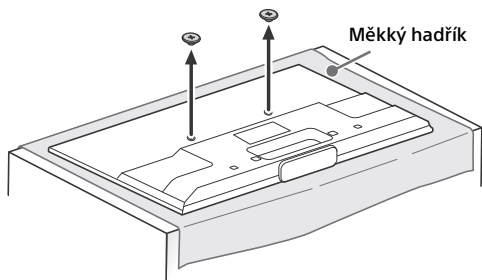


**KDL-42W82xB, KDL-42W81xB,
KDL-42W80xB, KDL-42/32W70xB**



Příprava instalace televizoru

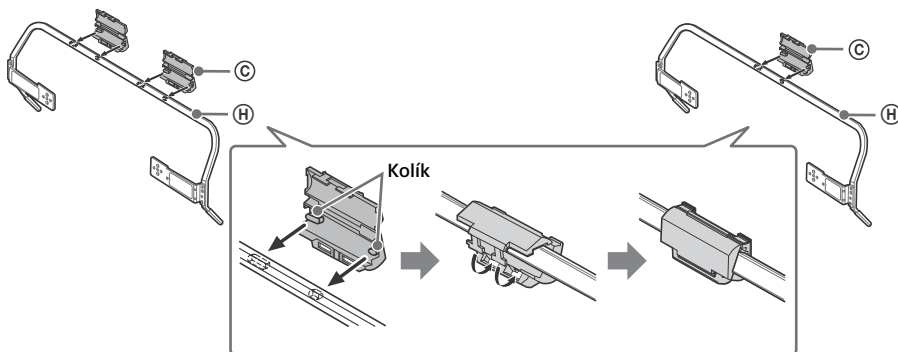
- 1 Vyšroubujte šrouby ze zadní části televizoru. Vyšroubované šrouby uložte na bezpečné místo a udržujte je mimo dosah dětí.



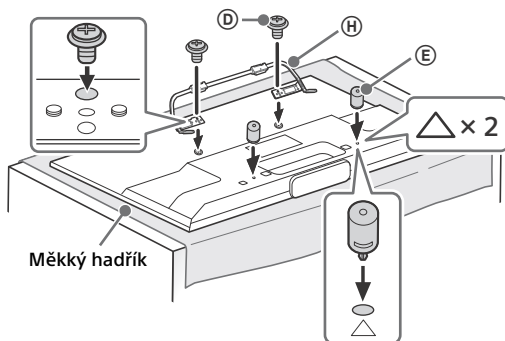
- 2 Vložte kolík (na ochraně stojanu ©) do otvoru ve stojanu ④, potom ochranu stojanu © přeložte směrem nahoru. Ověřte, zda je chránič stojanu © pevně připojen ke stojanu ④.

KDL-50W82xB, KDL-50W81xB,
KDL-50W80xB, KDL-50W70xB

KDL-42W82xB, KDL-42W81xB,
KDL-42W80xB, KDL-42/32W70xB

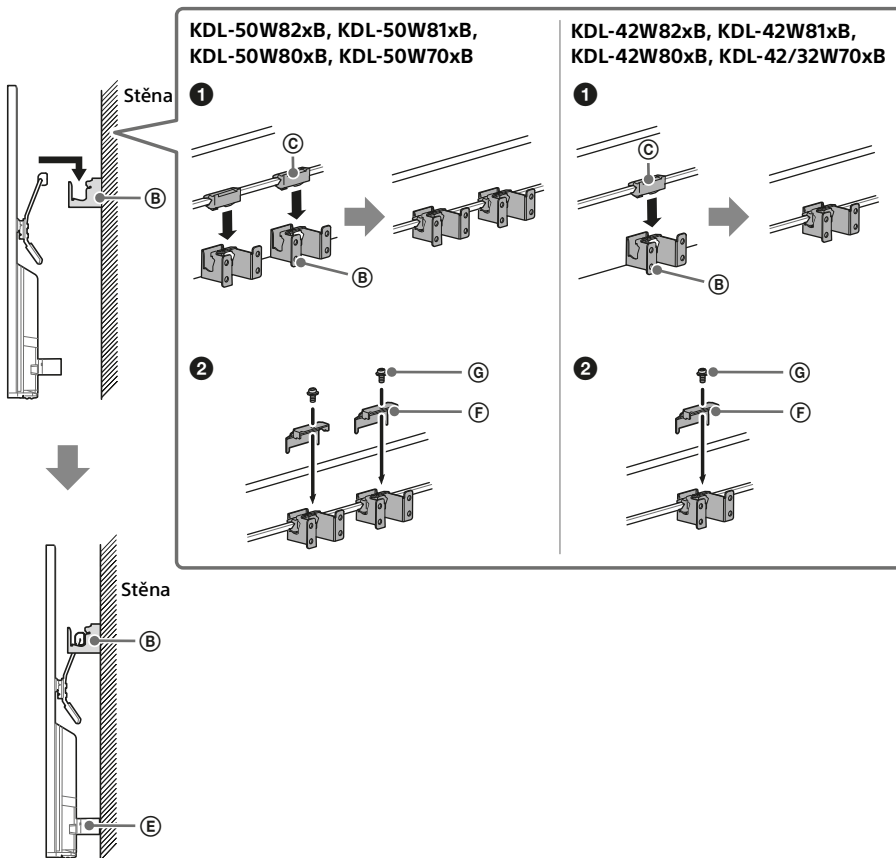


- 3 Připevněte stojan ④ k televizoru pomocí dodaných šroubů ②. Vložte podložky ③ do otvorů vyznačených trojúhelníky △. Pro ilustrační účely je využit model KDL-50W82xB, KDL-50W81xB, KDL-50W80xB, KDL-50W70xB.



Instalace televizoru na zeď

- 1 Než začnete instalovat televizor na zeď, nezapomeňte spojit kabely a připevnit je k sobě.
- 2 Nainstalujte televizor na zeď. Potom ověřte, zda je ochrana stojanu © pevně zaklesnuta do základny pro montáž na zeď ® a zda se podložky Ɛ dotýkají zdi. Připevněte krycí desku držáku ƒ pomocí dodaných šroubů Ɠ.



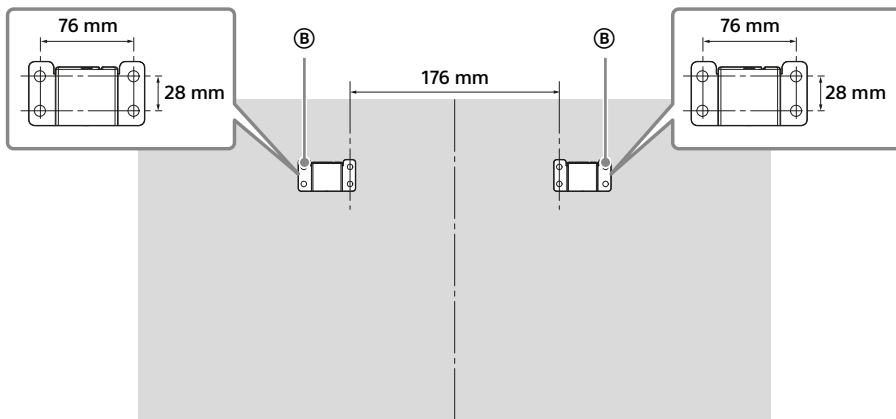
Rozměry pro polohy otvorů ve zdi

Dodavatelům s licencí poskytněte v případě potřeby následující informace.

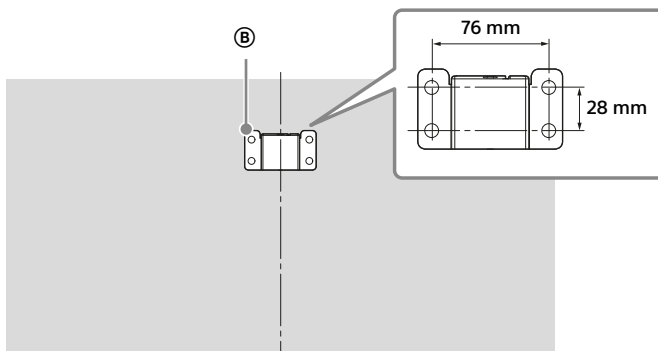
Při instalaci základny pro montáž na zeď **(B)** ke zdi použijte šrouby (8 mm v průměru, nejsou součástí dodávky).

Pro snadnou instalaci nezapomeňte použít dodanou papírovou šablonu **(A)** s vyznačením skutečné polohy základny pro montáž na zeď.

KDL-50W82xB, KDL-50W81xB, KDL-50W80xB, KDL-50W70xB



KDL-42W82xB, KDL-42W81xB, KDL-42W80xB, KDL-42/32W70xB



Pokyny pro montáž vašeho modelu televizoru na nástěnný držák najdete na této webové adrese:
www.sony.eu/tv/wall-mount-bracket-manual

Řešení problémů

Když bliká osvětlení LED červeně, spočítejte, kolikrát zabliká (časový interval je 3 sekundy).

Pokud Osvětlení LED bliká červeně, resetujte TV odpojením napájecího kabelu od TV na dvě minuty, potom TV zapněte.

Pokud problém přetrvává, obraťte se na svého prodejce nebo na servisní středisko Sony a uveďte, kolikrát Osvětlení LED červeně blikla (interval je tři sekundy). Stiskněte I/⏻ na TV, abyste ji vypnuli, odpojte napájecí kabel a informujte svého prodejce nebo servisní středisko Sony.

Když osvětlení LED neblíká, zkontrolujte následující položky v tabulkách.

Můžete také nahlédnout do části [Řešení problémů] v příručce i-Manual nebo provést autodiagnostiku pomocí volby ? [Nápověda] → [Zákaznická podpora] → [Diagnostika]. Pokud bude problém přetrvávat, nechte televizor opravit kvalifikovanými pracovníky servisu.

Problémy a řešení

Žádný obraz (tmavá obrazovka) a žádný zvuk.

- Zkontrolujte anténní/kabelové připojení.
- Připojte televizor k AC napájení a na televizoru nebo na dálkovém ovládní stiskněte I/⏻.

Některé programy nelze naladit.

- Zkontrolujte anténu nebo satelitní disk.
- Satelitní kabel může být zkratován, nebo mohou být závady v připojení kabelu. Prosím vypněte televizor pomocí síťového vypínače Zap/Vyp, zkontrolujte kabel i připojení a pak TV znovu zapněte.
- Zadaný kmitočet je mimo rozsah. Poradte se prosím s poskytovatelem vašeho satelitního vysílání.

Nebyly nalezeny žádné služby (programy) kabelové televize.

- Zkontrolujte připojení kabelu nebo konfiguraci ladění.
- Zkuste spustit [Automatické digitální ladění] zvolením možnosti [Pozemní] namísto možnosti [Kabelové].

Dálkové ovládání nefunguje.

- Vyměňte baterie.
- Televizor je pravděpodobně v režimu SYNC. Stiskněte tlačítko **SYNC MENU**, vyberte položku [Ovládní televizoru] a pak vyberte pro ovládní televizoru možnost [Home (Menu)] nebo [Možnosti].

Zapomněli jste heslo funkce [Rodičovský zámek].

- Zadejte PIN kód 9999. (PIN kód 9999 je vždy přijat.)

Panel televizoru se zahřívá.

- Když je televizor používán delší dobu, panel se zahřeje.
Na dotek může být horký.

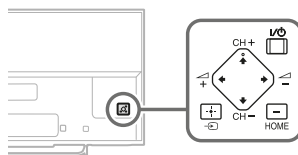
Pokud je TV zablokovaná, je prázdná obrazovka nebo nereaguje na tlačítka na TV nebo dálkovém ovládní.

- Proveďte jednoduchý restart televizoru odpojením napájecí síťové šňůry na dobu dvou minut a pak ji znovu zapojte.

Na televizoru nelze najít tlačítka I/⏻, CH+/-, ▲/▼/◀/▶, ⏻, [HOME].

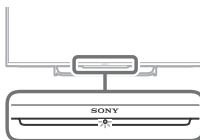
- Umístění tlačítek na televizoru je uvedeno na obrázku níže.

Zadní část televizoru



Je zapnuto osvětlení LED.

- Pokud nechcete, aby se rozsvěcelo osvětlení LED, můžete ho vypnout. Stiskněte **HOME**, potom zvolte [Nastavení] → [Systémová nastavení] → [Obecné nastavení] → [Osvětlení LED] → [Vyp]. Můžete také stisknout **OPTIONS**, potom zvolit [Osvětlení LED] → [Vyp].



Připojení k bezdrátovému routeru prostřednictvím WPS není možné.

- Pokud používáte zabezpečení WEP, zvolte [Jednoduchý] → [Wi-Fi] → [Připojit pomocí seznamu sítí]. Potom zvolte název sítě (SSID), ke které se chcete připojit.

V síťovém nastavení nelze najít název požadované sítě.

- Zvolte [[Ruční zadání]] a stiskněte ⊕ pro zadání názvu sítě.

Specifikace

Systém

Typ panelu

- Panel LCD (displej s kapalnými krystaly),
- Podsvícení LED

Televizní systém

- Analogové: V závislosti na volbě země/oblasti: B/G, D/K, L, I, M
- Digitální: DVB-T/DVB-C
DVB-T2
- Satelit: DVB-S/DVB-S2

Systém barev/videoa

- Analogové: PAL, SECAM, NTSC3.58, NTSC4.43
- Digitální: Viz příručka i-Manual.

Výběr kanálů

- Analogové: UHF/VHF/kabelové, V závislosti na volbě země/oblasti.
- Digitální: UHF/VHF/kabelové, V závislosti na volbě země/oblasti.
- Satelit: mezifrekvenční kmitočety 950-2150 MHz

Zvukový výstup

- 8 W + 8 W (kromě modelů KDL-32W70xB)
- 5 W + 5 W (pouze model KDL-32W70xB)

Bezdrátová technologie

- Protokol IEEE802.11a/b/g/n

Vstupní/Výstupní konektory jack

Anténní kabel

- 75 ohmová externí zásuvka pro VHF/UHF

Satelitní anténa

- Konektor typ F (zásuvka), IEC169-24, 75 ohmová.
- DiSEqC 1.0, LNB 13 V/18 V a tón 22 kHz,
- Rozvod jediným kabelem EN50494.

AV1

- 21pinový konektor typu scart (standard CENELEC)
- včetně audio/video vstupu, vstupu RGB a televizního audio/video vstupu.

COMPONENT IN

- YPbPr (komponentní video): 1080p (50, 60 Hz), 1080i (50, 60 Hz), 720p (50, 60 Hz), 576p, 576i, 480p, 480i
- Audio vstup (phono konektory)

AV2

- Video vstup (běžný konektor phono se vstupem Y)

HDMI IN 1, 2, 3, 4 (kromě modelů

KDL-50/42/32W70xB)

- Video (2D): 1080p (30, 50, 60 Hz), 1080/24p, 1080i (50, 60 Hz), 720p (30, 50, 60 Hz), 720/24p, 576p, 576i, 480p, 480i, PC formáty

Video (3D):

- Frame Packing: 1080p (30 Hz), 1080/24p, 1080i (50, 60 Hz), 720p (30, 50, 60 Hz), 720/24p
- Vedle sebe: 1080p (50, 60 Hz), 1080/24p, 1080i (50, 60 Hz), 720p (50, 60 Hz)
- Nad/pod: 1080p (30, 50, 60 Hz), 1080/24p, 1080i (50, 60 Hz), 720p (50, 60 Hz)

Audio: 5.1 kanálový lineární PCM: 32, 44,1 a

- 48 kHz, 16, 20 a 24 bitů, Dolby Digital ARC (Audio Return Channel) (pouze model HDMI IN 2)

HDMI IN 1, 2, 3, 4 (pouze model

KDL-50/42/32W70xB)

- Video: 1080p (30, 50, 60 Hz), 1080/24p, 1080i (50, 60 Hz), 720p (30, 50, 60 Hz), 720/24p, 576p, 576i, 480p, 480i, PC formáty
- Audio: 5.1 kanálový lineární PCM: 32, 44,1 a 48 kHz, 16, 20 a 24 bitů, Dolby Digital ARC (Audio Return Channel) (pouze model HDMI IN 2)

MHL (společný s HDMI IN 1)

(kromě modelů KDL-50/42/32W70xB)

- Video (2D): 1080p (30 Hz), 1080/24p, 1080i (50, 60 Hz), 720p (30, 50, 60 Hz), 720/24p, 576p, 576i, 480p, 480i
- Video (3D):

- Vedle sebe: 1080/24p, 1080i (50, 60 Hz), 720p (50, 60 Hz)

- Nad/pod: 1080p (30 Hz), 1080/24p, 1080i (50, 60 Hz), 720p (50, 60 Hz)

- Audio: 5.1 kanálový lineární PCM: 32, 44,1 a 48 kHz, 16, 20 a 24 bitů, Dolby Digital

MHL (společný s HDMI IN 1)

(pouze model KDL-50/42/32W70xB)

- Video: 1080p (30 Hz), 1080/24p, 1080i (50, 60 Hz), 720p (30, 50, 60 Hz), 720/24p, 576p, 576i, 480p, 480i

- Audio: 5.1 kanálový lineární PCM: 32, 44,1 a 48 kHz, 16, 20 a 24 bitů, Dolby Digital

DIGITAL AUDIO OUT (OPTICAL)

- Digitální optický konektor jack (dvoukanálový lineární PCM, Dolby Digital)

AUDIO OUT/

- Audio výstup (stereofonní mini jack konektor)
- Sluchátkový konektor (podpora výstupu subwooferu)

1 (HDD REC), 2

- Port pro zařízení USB HDD (pouze 1), Port USB

- Slot CAM (modul podmíněného přístupu)

DC IN 19.5 V

- Vstup adaptéru

LAN

Konektor 10BASE-T/100BASE-TX (V závislosti na operačním prostředí síť se rychlost připojení může lišit. Komunikační rychlost a kvalita komunikace 10BASE-T/100BASE-TX není pro tento televizor zaručena.)

Ostatní

Volitelné příslušenství

Dálkové ovládání Touchpad: RMF-ED004
Modul kamery s mikrofonom: CMU-BR200/
CMU-BR100
Bezdrátový subwoofer: SWF-BR100
MHL kabel: DLC-MB10/DLC-MB20/DLC-MC10/
DLC-MC20
Aktivní 3D brýle: TDG-BT500A (pouze model
KDL-50W82xB, KDL-50W81xB, KDL-50W80xB)



Pasivní 3D brýle: TDG-500P (pouze model
KDL-42W82xB, KDL-42W81xB, KDL-42W80xB)



Provozní teplota
0 °C – 40 °C

Provozní vlhkost
Relativní vlhkost 10 % - 80 % (nekondenzující)

Napájení a jiné

Požadavky na napájení
19,5 V DC s AC síťovým adaptérem
Napájecí napětí: 220 V - 240 V AC, 50 Hz

Třída energetické účinnosti
KDL-50W82xB, KDL-50W81xB, KDL-50W80xB,
KDL-50W70xB: A++
KDL-42W82xB, KDL-42W81xB, KDL-42W80xB,
KDL-42W70xB: A+
KDL-32W70xB: A

Velikost obrazovky (úhlopříčka) (přibl.)
KDL-50W82xB, KDL-50W81xB, KDL-50W80xB,
KDL-50W70xB: 50 palců / 125,7 cm
KDL-42W82xB, KDL-42W81xB, KDL-42W80xB,
KDL-42W70xB: 42 palců / 106,7 cm
KDL-32W70xB: 32 palců / 80,1 cm

Spotřeba energie

v režimu [Standardní]
KDL-50W82xB, KDL-50W81xB, KDL-50W80xB,
KDL-50W70xB: 51 W
KDL-42W82xB, KDL-42W81xB, KDL-42W80xB,
KDL-42W70xB: 50 W
KDL-32W70xB: 39 W

v režimu [Živý]
KDL-50W82xB, KDL-50W81xB, KDL-50W80xB,
KDL-50W70xB: 100 W
KDL-42W82xB, KDL-42W81xB, KDL-42W80xB,
KDL-42W70xB: 99 W
KDL-32W70xB: 80 W

Průměrná roční spotřeba energie*1
KDL-50W82xB, KDL-50W81xB, KDL-50W80xB,
KDL-50W70xB: 71 kWh
KDL-42W82xB, KDL-42W81xB, KDL-42W80xB,
KDL-42W70xB: 69 kWh
KDL-32W70xB: 54 kWh

Spotřeba energie v pohotovostním režimu*2
0,5 W (10 W v režimu aktualizace softwaru/EPG)

Rozlišení obrazu
1 920 bodů (vodorovně) × 1 080 řádků (svise)

Rozměry (přibl.) (š × v × h)

se stolním stojanem
KDL-50W82xB, KDL-50W81xB, KDL-50W80xB,
KDL-50W70xB: 111,6 × 69,3 × 17,9 cm
KDL-42W82xB, KDL-42W81xB, KDL-42W80xB,
KDL-42W70xB: 95,8 × 60,0 × 17,0 cm
KDL-32W70xB: 72,9 × 46,5 × 14,1 cm

bez stolního stojanu
KDL-50W82xB, KDL-50W81xB, KDL-50W80xB,
KDL-50W70xB: 111,6 × 65,6 × 6,4 cm
KDL-42W82xB, KDL-42W81xB, KDL-42W80xB,
KDL-42W70xB: 95,8 × 56,3 × 6,4 cm
KDL-32W70xB: 72,9 × 43,3 × 6,4 cm

Hmotnost (přibl.)

se stolním stojanem
KDL-50W82xB, KDL-50W81xB, KDL-50W80xB,
KDL-50W70xB: 14,8 kg
KDL-42W82xB, KDL-42W81xB, KDL-42W80xB,
KDL-42W70xB: 11,7 kg
KDL-32W70xB: 7,9 kg

bez stolního stojanu
KDL-50W82xB, KDL-50W81xB, KDL-50W80xB,
KDL-50W70xB: 13,6 kg
KDL-42W82xB, KDL-42W81xB, KDL-42W80xB,
KDL-42W70xB: 10,5 kg
KDL-32W70xB: 6,9 kg

- *1 Spotřeba energie za rok spočítaná na základě spotřeby televizoru zapnutého 4 hodiny denně po 365 dní. Skutečná spotřeba energie závisí na způsobu používání televizoru.
- *2 Specifikovaná spotřeba energie v pohotovostním režimu je dosažena po dokončení nezbytných vnitřních procesů televizoru.

Poznámka

- Písmeno „x“, které se objevuje v názvu modelu, odpovídá číslu vztahujícímu se ke vzhledu, barvě nebo systému televizoru.
- Náhražku karty ze slotu CAM (modul podmíněného přístupu) televizoru vyjímejte pouze tehdy, chcete-li do slotu CAM vložit kartu Smart.
- Dostupnost volitelného příslušenství závisí na zemi/oblasti/modelu televizoru/zásobách na skladě.
- Vzhled a specifikace se mohou změnit bez předchozího upozornění.
- Tento televizor obsahuje MHL 2.

Poznámky k funkcím digitální televize

- Všechny funkce související s digitálními televizí (DVB) budou fungovat pouze v zemích nebo oblastech, ve kterých jsou šířeny signály digitálního pozemního vysílání DVB-T/DVB-T2 (MPEG-2 a H.264/MPEG-4 AVC), nebo kde je přístup ke kompatibilní kabelové službě DVB-C (MPEG-2 a H.264/MPEG-4 AVC). Ověřte si laskavě u svého místního prodejce, zda v místě, kde žijete, lze přijímat signál DVB-T/DVB-T2, nebo se zeptejte svého poskytovatele kabelového vysílání, zda je jeho kabelová služba DVB-C vhodná k použití s tímto televizorem.
- Poskytovatel kabelového vysílání může za takové služby vyžadovat dodatečné poplatky nebo souhlas se svými smluvními podmínkami.
- Přestože televizor splňuje specifikace DVB-T/DVB-T2 a DVB-C, nelze zaručit kompatibilitu s budoucím pozemním DVB-T/DVB-T2 a kabelovým DVB-C digitálním vysíláním.
- Některé funkce digitální televize nemusí být v některých zemích/oblastech k dispozici a kabelový režim DVB-C nemusí s některými poskytovateli fungovat správně.

Informace o obchodních značkách

- Výrazy HDMI a HDMI High-Definition Multimedia Interface a logo HDMI jsou ochranné známky nebo registrované ochranné známky společnosti HDMI Licensing LLC ve Spojených státech a jiných zemích.
- DLNA®, logo DLNA a DLNA CERTIFIED® jsou obchodní značky, servisní značky nebo certifikační značky organizace Digital Living Network Alliance.
- Vyrobeno na základě licence poskytnuté společností Dolby Laboratories. Dolby a symbol dvojitého D jsou ochranné známky společnosti Dolby Laboratories.
- „BRAVIA“ a BRAVIA jsou obchodní značky Sony Corporation.
- TrackID je ochranná známka nebo registrovaná ochranná známka společnosti Sony Mobile Communications AB.
- Gracenote, Gracenote eyeQ, Gracenote VideoID, Gracenote Video Explore, Gracenote MusicID, logo a ligatura Gracenote a logo „Powered by Gracenote“ jsou buď registrované obchodní známky nebo obchodní známky společnosti Gracenote ve Spojených státech a/nebo jiných zemích.
- Opera® Devices SDK from Opera Software ASA. Copyright 1995–2014 Opera Software ASA. All rights reserved.
- Wi-Fi, Wi-Fi Direct a Miracast jsou ochranné známky nebo registrované ochranné známky společnosti Wi-Fi Alliance.
- „Logo Sony Entertainment Network“ a „Sony Entertainment Network“ jsou ochranné známky společnosti Sony Corporation.
- MHL, Mobile High-Definition Link a logo MHL jsou obchodní známky nebo registrované obchodní známky společnosti MHL Licencováno, LLC.
- Informace o patentech DTS naleznete na stránce <http://patents.dts.com>. Vyrobeno na základě licence od společnosti DTS Licensing Limited. DTS, symbol a DTS spolu se symbolem jsou registrované obchodní známky společnosti DTS, Inc. © DTS, Inc. Všechna práva vyhrazena.
- Designed with UEI Technology™ Under License from Universal Electronics Inc. Portions © UEI 2000 – 2013

- Slovní značka a loga Bluetooth® jsou majetkem společnosti Bluetooth SIG, Inc. a jakékoliv využívání těchto značek společností Sony Corporation podléhá licenci. Ostatní obchodní značky a obchodní názvy jsou majetkem příslušných vlastníků.
- DiSEqC™ je ochranná známka společnosti EUTELSAT.
Tento televizor podporuje DiSEqC 1.0. Tento televizor není určen k ovládání antén s motorovým pohonem.

Obsah

DÔLEŽITÉ UPOZORNENIE	2
Informácie o bezpečnosti	3
Preventívne pokyny	5
Montáž TV prijímača na stenu	7
Inštalácia konzoly na stenu	8
Príprava na inštaláciu TV prijímača	11
Inštalácia TV prijímača na stenu	12
Riešenie problémov	14
Problémy a riešenia	14
Technické parametre	15

Úvod

Ďakujeme vám, že ste si vybrali tento výrobok značky Sony. Pred uvedením tohto televízneho prijímača do činnosti si pozorne prečítajte tento návod a odložte si ho pre prípad budúcej potreby.

Poznámka

- Pred uvedením tohto TV prijímača do činnosti si prečítajte časť „Informácie o bezpečnosti“ (strana 3).
- Tento návod na obsluhu televízora obsahuje aj pokyny na „Montáž TV prijímača na stenu“.
- Obrázky a ilustrácie použité v sprievodcovi rýchlym uvedením do prevádzky a v tomto návode slúžia len na referenčné účely a môžu sa líšiť od vzhľadu samotného produktu.

Umiestnenie identifikačného štítku

Štítky s číslom modelu, dátumom výroby (mesiac/rok) a údajmi o napájacom zdroji televízneho prijímača sa nachádzajú na zadnej strane televízneho prijímača alebo na balení.

Informačné štítky s číslom modelu a sériovým číslom sieťového adaptéra sú umiestnené na jeho spodnej strane.

VÝSTRAHA

SVIEČKY A INÝ

OTVORENÝ PLAMEŇ

DRŽTE VŽDY V DOSTATOČNEJ

VZDIALENOSTI OD TOHTO

VÝROBKU, ABY STE PREDIŠLI

ŠÍRENIU OHŇA.



DÔLEŽITÉ UPOZORNENIE

Tento výrobok je vyrobený priamo alebo v mene Sony Corporation, 1-7-1 Konan Minato-ku, Tokyo, 108-0075 Japonsko. Otázky či výrobok vyhovuje požiadavkám podľa legislatívy Európskej únie treba adresovať na autorizovaného zástupcu Sony Deutschland GmbH, Hedelfinger Strasse 61, 70327 Stuttgart, Nemecko. V akýchkoľvek servisných alebo záručných záležitostiach prosím kontaktujte adresy uvedené v separátnych servisných alebo záručných dokumentoch.

Poznámka k bezdrôtovému signálu



Spoločnosť Sony Corporation týmto vyhlasuje, že toto zariadenie spĺňa základné požiadavky a všetky príslušné ustanovenia Smernice 1999/5/ES.

Podrobnosti získate na nasledovnej webovej adrese:

<http://www.compliance.sony.de/>

Poznámka pre spotrebiteľov: nasledujúce informácie sa vzťahujú iba na zariadenie predávané v krajinách, v ktorých platia smernice EÚ.

Bezdrôtový systém môžete používať iba v týchto krajinách:

AT, BE, HR, CY, CZ, DK, EE, FI, FR, DE, GR, HU, IE, IT, LV, LT, LU, MT, NL, PL, PT, SK, SI, ES, SE, GB, IS, LI, NO, CH, BG, RO, TR, AL, BA, MK, MD, RS, ME

Toto zariadenie môžete používať v krajinách mimo Európsku úniu.

Informácie o bezpečnosti

VAROVANIE

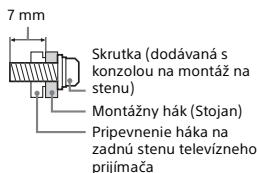
Batérie nesmú byť vystavené nadmernému teplu, napríklad slnečnému svetlu, ohňu a podobne.

Inštalácia/Nastavenie

Televízny prijímač nainštalujte a používajte v súlade s dolu uvedenými pokynmi, aby ste predišli vzniku rizika požiaru, úderu elektrického prúdu, poškodeniam alebo úrazom.

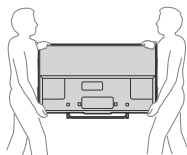
Inštalácia

- Televízny prijímač treba nainštalovať v blízkosti ľahko dostupnej sieťovej zásuvky.
- Umiestnite televízny prijímač na stabilný rovný povrch, aby nespadol a nespôsobil zranenie alebo aby sa nepoškodil televízny prijímač.
- Inštaláciu na stenu môže uskutočniť iba kvalifikovaný pracovník servisu.
- Z bezpečnostných dôvodov rozhodne odporúčame používať príslušenstvo značky Sony, ako napr.:
 - Montážna konzola na stenu
- Dbajte na to, aby ste použili skrutky dodané s montážnou konzolou na stenu, keď montážne háky (stojan) pripevňujete k televízoru. Dodané skrutky sú navrhnuté tak, ako sa to uvádza na ilustrácii, keď sa meria od pripevňovacej plochy montážneho háku (stojana). Priemer a dĺžka skrutky závisia od modelu konzoly na montáž na stenu.
- Použitie iných ako dodávaných skrutiek môže mať za následok vnútorné poškodenie televízneho prijímača, alebo spôsobí jeho pád atď.



Preprava

- Pred premiestňovaním televízneho prijímača odpojte všetky káble.
- Na prenášanie veľkého televízneho prijímača sú potrebné dvaja alebo traja ľudia.
- Pri prenášaní držte televízny prijímač tak, ako je to znázornené nižšie. LCD panel a rám okolo obrazovky chráňte pred zvýšeným namáhaním.



- Pri prenášaní a preprave chráňte televízny prijímač pred nárazmi alebo nadmernými vibráciami.
- Pri preprave do opravy alebo pri sťahovaní zabalte televízny prijímač do pôvodného kartónu a baliaceho materiálu.

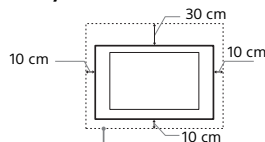
Ochrana proti prevrhnutiu

- Predtým, než zaskrutkujete skrutku do kovu, položte TV prijímač na podložku, ktorá je väčšia ako samotný TV prijímač, obrazovkou smerom nadol.
- Pri umiestnení TV prijímača na podložku, prestrite na podložku jemnú tkaninu, aby nedošlo k poškodeniu povrchu displeja LCD.

Vetranie

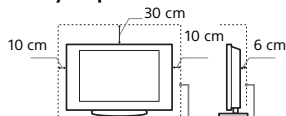
- Vetracie otvory skrinky nikdy nezakrývajte a nič dovnútra prístroja neskrakajte.
- Ponechajte voľný priestor okolo televízneho prijímača ako na ilustrácii dolu.
- Rozhodne odporúčame použiť nástenný držiak značky Sony, aby sa zaručila dostatočná cirkulácia vzduchu.

Nainštalovaný na stenu



Okolo prijímača ponechajte najmenej takýto voľný priestor.

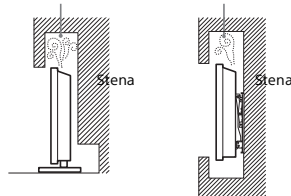
Nainštalovaný na podstavci



Okolo prijímača ponechajte najmenej takýto voľný priestor.

- Na zaručenie dostatočného vetrania a na predchádzanie usadzovaniu nečistôt alebo prachu:
 - Televízny prijímač nekladte na plochu, neinštalujte ho hlavou dolu, dozadu ani nabok.
 - Televízny prijímač nekladte na policu, koberec, posteľ ani do skrine.
 - Televízny prijímač nepokrývajte textíliami, ako sú záclony, ani predmetmi ako noviny a pod.
 - Televízny prijímač neinštalujte podľa ilustrácie dolu.

Cirkulácia vzduchu je zablokovaná.



Sieťový kábel

Pri manipulácii so sieťovým káblom a zásuvkou dodržiavajte nasledujúce zásady, aby ste predišli vzniku rizika požiaru, úderu elektrického prúdu, poškodeniam alebo úrazom:

- Používajte iba sieťové káble dodané spoločnosťou Sony, nie od iných dodávateľov.
- Vidlicu zasuňte úplne do sieťovej zásuvky.
- Televízny prijímač pripájajte iba k sieti 220-240 V striedavých.
- Pri zapájaní káblov sa pre vlastnú bezpečnosť presvedčte, že napájací kábel je odpojený. Nedotýkajte sa kábových konektorov.
- Predtým, ako budete s televíznym prijímačom pracovať alebo ho premiestňovať, odpojte napájací kábel od sieťovej zásuvky.
- Napájací kábel nepribližujte k zdrojom tepla.
- Sieťovú vidlicu odpojte a pravidelne ju čistite. Ak je vidlica zaprášená a pohlcuje vlhkosť, môže sa znehodnotiť jej izolácia, čo môže spôsobiť požiar.

Poznámka

- Dodávaný napájací kábel nepoužívajte so žiadnym iným zariadením.
- Napájací kábel príliš nestláčajte, neohybujte ani neskrakajte. Mohli by sa obnažiť alebo zlomiť žily kábla.
- Napájací kábel neupravujte.
- Nekladte na napájací kábel nič ťažké.
- Pri odpojení vidlice netahajte za napájací kábel.
- Nepripájajte príliš veľa spotrebičov k tej istej sieťovej zásuvke.
- Nepoužívajte uvoľnenú sieťovú zásuvku.

POZNÁMKA K SIEŤOVÉMU ADAPTÉRU

Varovanie

Chráňte zariadenie pred dažďom a vlhkosťou, aby ste predišli riziku požiaru alebo zásahu elektrickým prúdom. Neumiestňujte na zariadenie objekty naplnené tekutinami, ako napríklad vázy, aby ste predišli riziku požiaru alebo zásahu elektrickým prúdom. Toto zariadenie neumiestňujte do uzavretého priestoru, ako je knižnica alebo podobný priestor.

- Uistite sa, že elektrická zásuvka je nainštalovaná v blízkosti zariadenia a že je ľahko dostupná.
- Používajte dodaný sieťový adaptér a napájací kábel.
- Nepoužívajte žiaden iný napájací adaptér. Môže to spôsobiť poruchu.
- Sieťový adaptér pripojte k ľahko dostupnej elektrickej zásuvke.
- Napájací kábel neomotávajte okolo sieťového adaptéra. Drôt sa môže zlomiť a/alebo to môže spôsobiť poruchu mediálneho prijímača.



- Nechytajte sieťový adaptér mokrymi rukami.
- Ak si všimnete nejakú abnormalitu na sieťovom adaptéri, okamžite ho odpojte od elektrickej zásuvky.
- Zariadenie nie je odpojené od zdroja napájania, pokiaľ je pripojené k elektrickej zásuvke, aj keď ste samotné zariadenie vypli.
- Sieťový adaptér sa pri dlhšom používaní zahrieva. Môžete to cítiť, keď sa ho dotknete rukou.

Zakázané použitie

Televízny prijímač neinstalujte a nepoužívajte na miestach, v prostredí alebo v situácii, uvádzaných ďalej v texte, pretože môže dôjsť k poruche televízneho prijímača a následne k požiaru, úderu elektrickým prúdom, poškodeniu a/alebo k úrazu.

Umistenie:

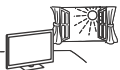
- Vonku (na priamom slnečnom svetle), na morskom pobreží, na lodi alebo inom plavidle, vo vozidle, v zdravotníckych zariadeniach, na nestabilných miestach, v blízkosti vody, na daždi, pri vlhkosti alebo dyme.
- Ak sa TV prijímač umiestni do šatne verejnej plavárne alebo termálnych prameňov, môže sa poškodiť sírou prenášanou vzduchom atď.



- Aby ste dosiahli najlepšiu kvalitu obrazu, nevystavujte obrazovku priamemu osvetleniu alebo slnečnému svetlu.
- TV prijímač neprenášajte z chladného prostredia do teplého. Náhle zmeny teploty miestnosti môžu zapríčiniť kondenzáciu vlhkosti. Výsledkom toho môže byť nekvalitný obraz a/alebo nekvalitné farby. Ak sa tak stane, pred zapnutím napájania TV prijímača nechajte vlhkosť celkom vypariť.

Prostredie:

- Miesta, ktoré sú horúce, vlhké alebo nadmerne prašné; miesta kam môže preniknúť hmyz; vystavené mechanickým vibráciám, v blízkosti horľavých predmetov (sviečky a pod.). Televízny prijímač chráňte pred odstreknúcimi alebo kvapkajúcimi tekutinami. Nekladte na televízny prijímač žiadne predmety naplnené tekutinou, ako sú vázy a pod.
- TV prijímač neumiestňujte do vlhkého a prašného prostredia alebo do priestorov s výskytom olejového dymu alebo výparov (v blízkosti kuchynských pracovných stolov alebo zvlhčovačov). Mohlo by to spôsobiť požiar, elektrický šok alebo deformácie.
- Televízny neumiestňujte na miesta vystavené extrémnym teplotám, ako priame slnečné žiarenie, blízko radiátorov alebo ohrievačov. Televízor sa môže v takýchto podmienkach prehriať a následne sa môže zdeformovať kryt alebo sa môže vyskytnúť porucha.



Situácia:

- Nepoužívajte, ak máte mokré ruky, s demontovanou skrinkou alebo s pripojenými prístrojmi, ktoré výrobca neodporúča. Počas búrky odpojte televízny prijímač od sieťovej zásuvky a od antény.
- TV prijímač neinstalujte tak, aby trčal do otvoreného priestoru. Môže to spôsobiť poranenie alebo poškodenie nárazom do TV prijímača.



Rozbité kúsky:

- Do televízneho prijímača nič nehádzte. Sklo na obrazovke sa môže nárazom poškodiť a spôsobiť vážny úraz.
- Ak povrch televízneho prijímača praskne, nedotýkajte sa ho, až kým neodpojíte napájací kábel. V opačnom prípade hrozí úder elektrickým prúdom.

AK SA PRIJÍMAČ NEPOUŽIVA

- Ak televízny prijímač nebudete niekoľko dní používať, odpojte ho od napájania z dôvodov ochrany životného prostredia a bezpečnosti.
- Pretože vypnutý sa televízny prijímač od siete úplne neodpojí, na úplné odpojenie televízneho prijímača je potrebné vytiahnuť vidlicu zo sieťovej zásuvky.
- Niektoré televízne funkcie však môžu mať funkcie, ktoré si na správne fungovanie vyžadujú, aby bol televízny prijímač ponechaný v pohotovostnom režime.

Pre deti

- Nedovoľte, aby deti vyliezali na televízny prijímač.
- Drobné príslušenstvo sa nesmie ponechať v dosahu detí, pretože by mohlo byť omylom prehltnuté.

AK BY SA VYSKYTLI NASLEDUJÚCE PROBLÉMY...

Ak by sa vyskytli niektorý z nasledujúcich problémov, televízny prijímač **vypnite** a okamžite odpojte napájací kábel. Požiadajte predaju alebo servisné stredisko Sony, aby prijímač skontroloval odborník.

Keď:

- Napájací kábel je poškodený.
- Sieťová zásuvka je uvoľnená.
- Televízny prijímač bol poškodený pádom, úderom alebo predmetom, ktorý naň dopadol.
- Čez otvory v skrinke prenikne do prijímača tekutina alebo iný predmet.

Informácie o teplote LCD monitora

Keď LCD monitor používate dlhšiu dobu, okolité časti panela sa nahrejú. Môžete to cítiť, keď sa ho dotknete rukou.

MONTÁŽNA KONZOLA NA STENU

Nasledujúce informácie sa týkajú správnej manipulácie s montážnou konzolou na stenu. Dôkladne si prečítajte tieto informácie a používajte montážnu konzolu na stenu správne.

Pre zákazníkov:

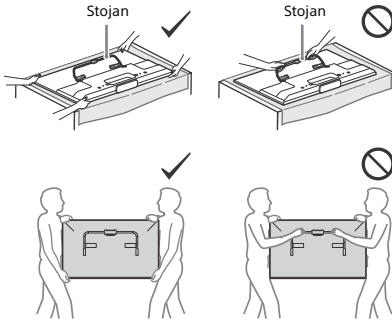
Dodržiavajte nasledujúce bezpečnostné preventívne opatrenia, aby ste predišli vážnym zraneniam následkom požiaru, zásahu elektrickým prúdom, prevrhnutia produktu alebo jeho pádu.

- Inštaláciu zverte licencovanému dodávateľovi a dbajte na to, aby sa v blízkosti inštalácie nezdržiavali deti.
- Premiestňovanie alebo demontáž TV prijímača zverte licencovanému dodávateľovi.
- Po montáži TV prijímača nevyberajte skrutky atď.
- Neupravujte žiadne diely montážnej konzoly na stenu.
- Okrem špecifikovaných produktov nemontujte žiadne iné zariadenia.
- Montážnu konzolu na stenu nezatažujte ničím iným okrem TV prijímača.
- O TV prijímač sa neopierajte a nevesajte sa naň.
- Počas čistenia alebo údržby netlačte na TV prijímač veľkou silou.

Pre predajcov a dodávateľov produktov od spoločnosti Sony:

Nasledujúce pokyny sú určené len pre predajcov a dodávateľov produktov od spoločnosti Sony. Prečítajte si bezpečnostné opatrenia uvedené nižšie a počas inštalácie, údržby a kontroly produktu venujte náležitú pozornosť bezpečnosti.

- Pri manipulácii alebo montáži držte TV prijímača za boky. TV prijímač nedvíhajte držiac za stojan.



- Montážnu konzolu na stenu neinštalujte na stenu, kde môžu rohy alebo okraje TV prijímača prečnievať mimo steny.



- TV prijímač neinštalujte nad ani pod klimatizáciu.
- Montážnu konzolu na stenu pevne nainštalujte na stenu podľa pokynov v tomto návode na použitie. Ak sa ktorákoľvek zo skrutiek uvoľní alebo vypadne, montážna konzola na stenu môže spadnúť a spôsobiť zranenie alebo škody na majetku.
- Použite dodané skrutky a upevňovacie diely riadne podľa pokynov uvedených v tomto návode na použitie. Ak používate náhradné diely, televízny prijímač môže spadnúť a spôsobiť niekomu zranenie alebo sa môže televízny prijímač poškodiť.
- Konzolu správne zostavte podľa postupu uvedeného v tomto návode na použitie.
- Pevne utiahnite skrutky na určených miestach.
- Počas inštalácie dajte na to, aby ste TV nevystavili otrosom.
- TV prijímač nainštalujte na kolmú a plochú stenu.
- Po správnej inštalácii TV prijímača správne zaistite káble.
- Zabráňte privíknutiu napájacieho alebo prepájacieho kábla, pretože by sa mohli odhalí vnútorné vodiče a spôsobiť skrat alebo prerušenie elektrického obvodu.



Preventívne pokyny

Sledovanie televízneho programu

- Niektorým ľuďom môže byť sledovanie 3D obrazu alebo hranie stereoskopických 3D hier neprijemné (bolenie alebo vysilenie očí, únava či nevoľnosť). Sony odporúča všetkým divákom, aby si pri sledovaní 3D obrazu alebo hraní stereoskopických 3D hier dopriali pravidelné prestávky. Dĺžka a frekvencia potrebných prestávok sa môžu líšiť u jednotlivých osôb. Sami musíte rozhodnúť, čo vám vyhovuje najviac. Ak sa stretnete s neprijemným pocitom, prestaňte sledovať 3D obraz alebo hrať stereoskopické 3D hry, kým neprijemný pocit nepominie; v prípade potreby sa poraďte s lekárom. Zároveň si prečítajte aktuálne informácie (i) v príručkách ostatných zariadení alebo médií používaných s týmto televízorom a (ii) na našich webových stránkach (<http://support.sony-europe.com/>). Zrak malých detí (najmä vo veku do šiest rokov) sa stále vyvíja. Predtým ako povolíte malým deťom sledovať 3D obraz alebo hrať stereoskopické 3D hry sa poraďte s lekárom (napr. detským alebo očným lekárom). Dospelé osoby musia dohliadať na to, aby sa malé deti riadili vyššie uvedenými odporúčaniami.
- Nepoužívajte, neskladujte ani nenechávajte 3D okuliare ani batériu v blízkosti ohňa alebo na miestach s vysokou teplotou, napr. na priamom slnečnom svetle alebo v autách vyhriatych od slnka.
- Pri používaní simulovaného 3D efektu, upozorňujeme, že z dôvodu konverzie uskutočnenej touto televíziou sa mení zobrazený obraz z pôvodného originálu.
- Televízny program sledujte pri miernom osvetlení, pretože sledovanie televízneho prijímača pri slabom osvetlení alebo po dlhšiu dobu namáha vaše oči.
- Pri používaní slúchadiel si nastavte vhodnú hlasitosť, pretože príliš vysoká úroveň môže spôsobiť poškodenie sluchu.

Obrazovka LCD

- Hoci sa obrazovka LCD vyrába použitím vysoko presnej technológie a 99,99% a viac pixelov je funkčných, na obrazovke LCD môžu byť trvalo čierne alebo jasné body (červené, modré alebo zelené). Ide o konštrukčnú charakteristiku obrazovky LCD a nejde o jej poruchu.
- Čelný filter sa nesmie stláčať ani poškriabať, na tento televízny prijímač nekladte žiadne predmety. Zobrazenie by mohlo byť nerovnomerné a mohla by sa poškodiť obrazovka LCD.
- Ak sa tento televízny prijímač používa na chladnom mieste, na zobrazení sa môžu prejavíť škvrny alebo obraz môže stmavnúť. Nie je to príznak poruchy. Po zvýšení teploty tieto javy zmiznú.
- Ak sa trvalo zobrazujú nepohyblivé zobrazenia, môžu sa prejavíť „duchovia“. Po niekoľkých okamihoch môžu zmiznúť.
- Pri používaní tohto televízneho prijímača sa obrazovka a skrinka môže zohrievať. Nie je to príznak poruchy.
- Obrazovka LCD obsahuje malé množstvo tekutých kryštálov. Pri likvidácii dodržiavajte platné nariadenia a predpisy.

Zaochádzanie s povrchom obrazovky a skrinkou televízneho prijímača a ich čistenie

Pred čistením sa presvedčte, či je odpojený napájací kábel pripájaný televízny prijímač k sieťovej zásuvke.

Aby ste predišli znehodnocovaniu materiálu alebo povrchu obrazovky, dodržiavajte nasledujúce preventívne zásady.

- Prach z povrchu obrazovky/skrinky utierajte jemne a mäkkou handričkou. Ak prach odoláva, utrite ho mäkkou handričkou jemne navlhčenou do rozriedeného roztoku neagresívneho čistiacieho prostriedku.
- Nikdy nestriekajte vodu ani čistiaci prostriedok priamo na televízor. Môže kvapkať na spodnú časť obrazovky alebo vonkajších častí a dostať sa do televízora, pričom môže spôsobiť poškodenie televízora.
- Nikdy nepoužívajte abrazívne špongie, čističe obsahujúce lúh alebo kyselinu, prášok na riad ani prchavé rozpúšťadlá ako je alkohol, benzén, riedidlo alebo insekticíd. Používanie takýchto materiálov alebo dlhodobý kontakt s gumovými alebo vinylovými materiálmi môže spôsobiť poškodenie povrchu obrazovky a materiálu skrinky.



SK

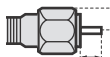
- Na zaručenie dostatočného vetrania sa odporúča pravidelne povysávať vetracie otvory.
- Pri zmene uhla natočenia televízneho prijímača pohybujte prijímačom pomaly, aby nespadol zo stojana a neprevrhol sa.

Prídavné zariadenia

- Prídavné zariadenia a všetky ostatné zariadenia vyžarujúce elektromagnetické žiarenie nepribližujte k televíznemu prijímaču. Nedodržanie tejto podmienky môže spôsobiť deformáciu zobrazenia a/alebo šum vo zvuku.
- Toto zariadenie bolo testované a je v zhode s obmedzeniami podľa smernice o elektromagnetickej kompatibilitate pri použití prípojného signálneho kábla kratšieho než 3 metre.

Odporúčanie pre konektor typu F

Dĺžka vystupujúceho vnútorného drôtu z konektora musí byť menšia ako 1,5 mm.



Maximálne 7 mm

Maximálne 1,5 mm

(Referenčný obrázok pre konektor typu F)

Upozornenie týkajúce sa manipulácie s diaľkovým ovládačom

- Pri vkladaní batérií dodržiavajte ich polaritu.
- Nepoužívajte rôzne druhy batérií ani staré batérie s novými.
- Batérie zneškodňujte tak, aby neznečistovali životné prostredie. V niektorých krajinách môže byť zneškodňovanie batérií regulované. Obráťte sa na miestny úrad kvôli informáciám o zneškodňovaní.
- S diaľkovým ovládačom zaobchádzajte ohľaduplne. Nenechajte ho padnúť, nestúpajte naň, nepolievajte ho žiadnymi tekutinami.
- Diaľkový ovládač nesmie byť položený v blízkosti zdroja tepla, na mieste vystavenom účinkom priameho slnečného svetla, ani vo vlhkej miestnosti.

Funkcia bezdrôtového pripojenia jednotky

- Toto zariadenie nepoužívajte v blízkosti lekárskeho prístroja (kardiostimulátor, atď.) lebo by mohlo dôjsť k poruche lekárskeho prístroja.
- Hoci, toto zariadenie vysiela/prijíma zakódované signály, dávajte pozor na neoprávnený príjem. Nenešiem žiadnu zodpovednosť za prípadné ťažkosti.

MONTÁŽNA KONZOLA NA STENU

- Ak televízor namontovaný na montážnej konzole na stene používate dlhšiu dobu, stena za alebo nad televízorom môže stratiť farbu, alebo tapeta sa môže odlepiť, v závislosti od materiálu steny.
- Po demontáži montážnej konzoly na stenu ostanú v stene otvory na skrutky.
- Montážnu konzolu na stenu nepoužívajte na miestach, kde bude vystavená mechanickým vibráciám.

Likvidácia televízneho prijímača



Likvidácia starých elektrických a elektronických prístrojov (vzťahuje sa na Európsku úniu a európske krajiny so systémami oddeleného zberu)

Tento symbol na výrobku alebo na jeho obale znamená, že výrobok nesmie byť spracovávaný ako komunálny odpad. Musí sa odovzdať do príslušnej zberne na recykláciu elektrických a

elektronických zariadení. Zaručením správnej likvidácie tohto výrobku pomôžete pri predchádzaní potenciálnych negatívnych dopadov na životné prostredie a na zdravie človeka, ktoré by mohli byť zapríčinené nevhodným zaobchádzaním s odpadmi z tohto výrobku. Recyklovaním materiálov pomôžete zachovať prírodné zdroje. Podrobnejšie informácie o recyklácii tohto výrobku vám na požiadanie poskytne miestny úrad, služba likvidácie komunálneho odpadu alebo predajňa, v ktorej ste si tento výrobok zakúpili.



Zneškodňovanie použitých batérií (platí v Európskej únii a ostatných európskych krajinách so zavedeným separovaným zberom)

Tento symbol na batérii alebo obale znamená, že batéria dodaná s týmto výrobkom nemôže

byť spracovaná s domovým odpadom. Na niektorých batériách môže byť tento symbol použitý v kombinácii s chemickými značkami. Chemické značky ortute (Hg) alebo olova (Pb) sú pridané, ak batéria obsahuje viac ako 0,0005% ortute alebo 0,004% olova. Tým, že zaisťujete správne zneškodnenie týchto batérií, pomôžete zabrániť potenciálne negatívne vplyvy na životné prostredie a ľudské zdravie, ktorý by v opačnom prípade mohol byť spôsobený pri nesprávnom nakladaní s použitou batériou. Recyklácia materiálov pomáha uchovávať prírodné zdroje. V prípade, že výrobok, ktorý si z dôvodu bezpečnosti, výkonu alebo integrity údajov vyžaduje trvalé pripojenie zabudovanej batérie, túto batériu môže vymeniť iba kvalifikovaný personál. Aby ste zaručili, že batéria bude správne spracovaná, odovzdajte tento výrobok na konci jeho životnosti na vhodnom zbernom mieste na recykláciu elektrických a elektronických zariadení. V prípade všetkých ostatných batérií, postupujte podľa časti, ako vybrať bezpečne batériu z výrobku. Odovzdajte batériu na vhodnom zbernom mieste na recykláciu použitých batérií. Ak chcete získať podrobnejšie informácie o recyklácii tohto výrobku alebo batérie, kontaktuje váš miestny alebo obecný úrad, miestnu službu pre zber domového odpadu alebo predajňu, kde ste výrobok zakúpili.

Montáž TV prijímača na stenu

Pre zákazníkov

Inštalácia tohto produktu vyžaduje adekvátne odborné znalosti. Inštaláciu zverte predajcovi alebo licencovanému dodávateľovi produktov od spoločnosti Sony a počas inštalácie venujte náležitú pozornosť bezpečnosti. Spoločnosť Sony nenesie zodpovednosť za žiadne škody ani zranenia spôsobené nesprávnou manipuláciou alebo inštaláciou, alebo inštaláciou akýchkoľvek iných ako špecifikovaných produktov. Vaše prípadné zákonné práva sú nedotknuté.

Pre predajcov a dodávateľov produktov spoločnosti Sony

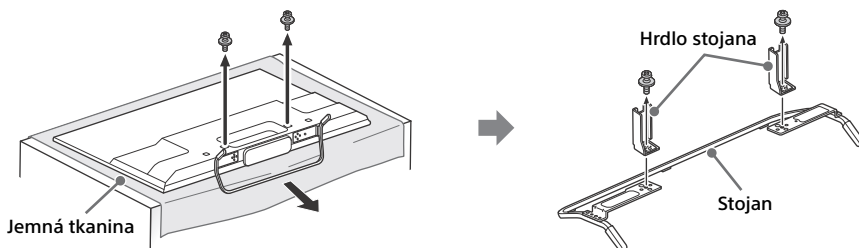
Inštalácia tohto produktu vyžaduje adekvátne odborné znalosti. V záujme zaistenia bezpečnosti pri montáži si dôkladne prečítajte tento návod na použitie. Spoločnosť Sony nezodpovedá za žiadne škody ani zranenia spôsobené nevhodnou manipuláciou alebo inštaláciou.

Stolový stojan TV prijímača sa použije ako súčasť montážnej konzoly na stenu.

Poznámka

- Pred inštaláciou montážnej konzoly na stenu si pozrite informácie na strane 3 (Informácie o bezpečnosti) a na strane 5 (Preventívne pokyny) týkajúce sa MONTÁŽNEJ KONZOLY NA STENU.
- Ak je TV prijímač pripravený k stolovému stojanu, najprv ho z neho odpojte.
- Pred pripavením stojana alebo odpojením stolového stojana umiestnite TV prijímač obrazovkou nadol na rovný a stabilný podklad zakrytý hrubou jemnou tkaninou, ktorá je väčšia ako TV prijímač.
- Po odpojení stĺpikov od stojana odložte stĺpiky a skrutky na bezpečné miesto.
- Keď znovu pripájate stolový stojan, skrutky (predtým odskrutkované) zaskrutkujte do pôvodných otvorov v zadnej časti TV prijímača.
- Pred zapnutím televízneho prijímača dbajte na to, aby bol vo vertikálnej polohe. Televízny prijímač sa nesmie zapínať, keď je panel LCD položený smerom nadol, aby nedošlo k nerovnomernému zobrazeniu obrazu.

Odpojenie stolového stojana od TV prijímača



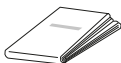
SK

Inštalácia konzoly na stenu

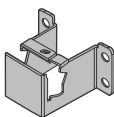
1 Pripravte si potrebné súčiastky.

Príslušenstvo k montážnej konzole na stenu (dodáva sa)

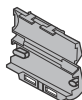
A Papierová šablóna



B Montážna základňa na stenu
KDL-50W82xB,
KDL-50W81xB,
KDL-50W80xB,
KDL-50W70xB (2)
KDL-42W82xB,
KDL-42W81xB,
KDL-42W80xB,
KDL-42/32W70xB (1)



C Chránič stojana
KDL-50W82xB,
KDL-50W81xB,
KDL-50W80xB,
KDL-50W70xB (2)
KDL-42W82xB,
KDL-42W81xB,
KDL-42W80xB,
KDL-42/32W70xB (1)



D Skrutka
(+PSW 6 x 12) (2)



E Rozpera (2)



F Krycia platnička konzoly
KDL-50W82xB,
KDL-50W81xB,
KDL-50W80xB,
KDL-50W70xB (2)
KDL-42W82xB,
KDL-42W81xB,
KDL-42W80xB,
KDL-42/32W70xB (1)

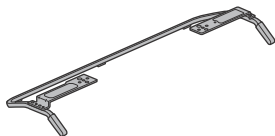


G Skrutka (+PSW 4 x 10)
KDL-50W82xB,
KDL-50W81xB,
KDL-50W80xB,
KDL-50W70xB (2)
KDL-42W82xB,
KDL-42W81xB,
KDL-42W80xB,
KDL-42/32W70xB (1)



Stojan (dodáva sa)

H

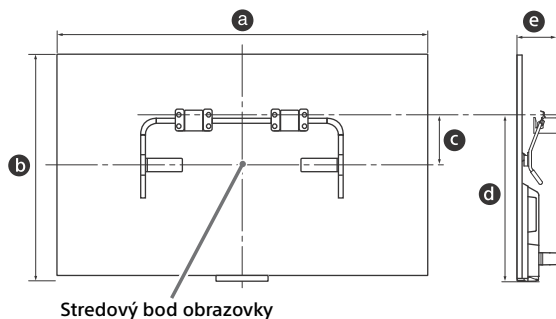


Skrutky pre montážnu základňu na stenu (priemer 8 mm, nedodávajú sa)

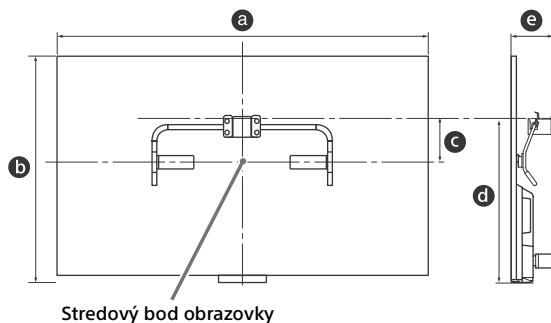
KDL-50W82xB,
KDL-50W81xB,
KDL-50W80xB,
KDL-50W70xB (8)
KDL-42W82xB,
KDL-42W81xB,
KDL-42W80xB,
KDL-42/32W70xB (4)

- 2 Uistite sa, že stena má dostatok priestoru a je schopná zniesť záťaž najmenej štyrikrát väčšiu ako je hmotnosť televízora.
 Pozrite si nasledujúcu tabuľku, kde nájdete informácie o inštalácii TV prijímača na stenu. Informácie o hmotnosti TV prijímača nájdete na stranách 15-18 (Technické parametre).

KDL-50W82xB, KDL-50W81xB, KDL-50W80xB, KDL-50W70xB



KDL-42W82xB, KDL-42W81xB, KDL-42W80xB, KDL-42/32W70xB



SK

Jednotky: cm

Názov modelu KDL-	Rozmery displeja		Stredový rozmer obrazovky	Dĺžka pre montáž	
	a	b		d	e
50W82xB/ 50W81xB/ 50W80xB/ 50W70xB	111,6	65,6	13,0	46,9	11,8
42W82xB/ 42W81xB/ 42W80xB/ 42W70xB	95,8	56,3	17,5	46,5	11,8
32W70xB	72,9	43,3	18,8	41,3	11,3

Poznámka

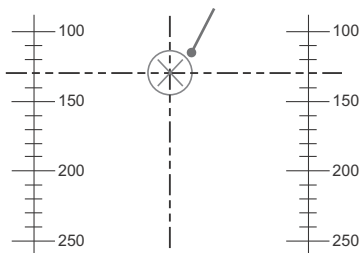
- Čísla v tabuľke sa môžu v závislosti od inštalácie mierne líšiť.

3 Urobte značku na papierovú šablónu **(A)**, ktorá označuje stred obrazovky vášho televízora.

**KDL-50W82xB, KDL-50W81xB,
KDL-50W80xB, KDL-50W70xB**

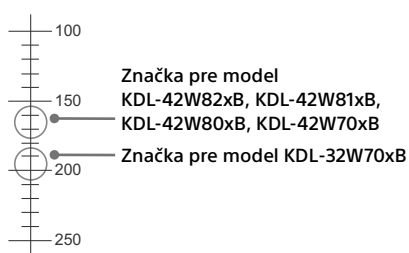
Mierka na papierovej šablóne **(A)**

Značka pre model **KDL-50W82xB,
KDL-50W81xB, KDL-50W80xB, KDL-50W70xB**



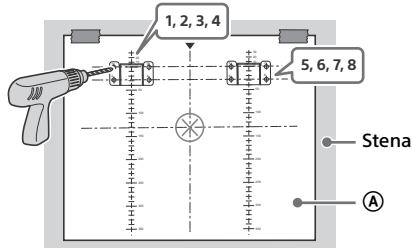
**KDL-42W82xB, KDL-42W81xB,
KDL-42W80xB, KDL-42/32W70xB**

Mierka na papierovej šablóne **(A)**

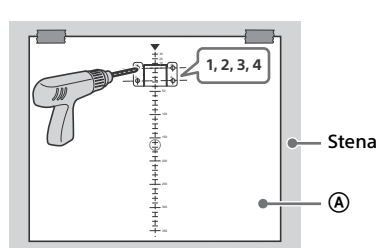


4 Papierovú šablónu **(A)** prilepte páskou na stenu a podľa číslovania na nej elektrickou vŕtačkou vyvŕtajte otvory.

**KDL-50W82xB, KDL-50W81xB,
KDL-50W80xB, KDL-50W70xB**



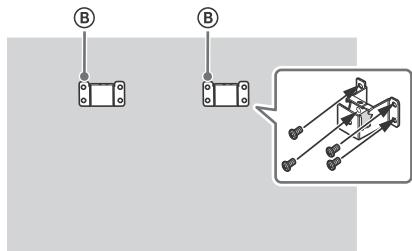
**KDL-42W82xB, KDL-42W81xB,
KDL-42W80xB, KDL-42/32W70xB**



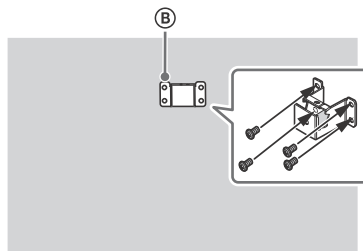
5 Papierovú šablónu **(A)** zo steny odstráňte.

6 Pomocou skrutiek (priemer 8 mm, nedodávajú sa) správne pripevnite montážnu základňu na stenu **(B)** k stene.

**KDL-50W82xB, KDL-50W81xB,
KDL-50W80xB, KDL-50W70xB**

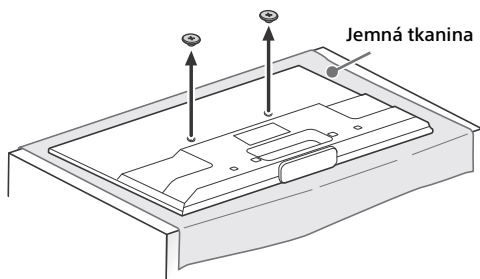


**KDL-42W82xB, KDL-42W81xB,
KDL-42W80xB, KDL-42/32W70xB**



Príprava na inštaláciu TV prijímača

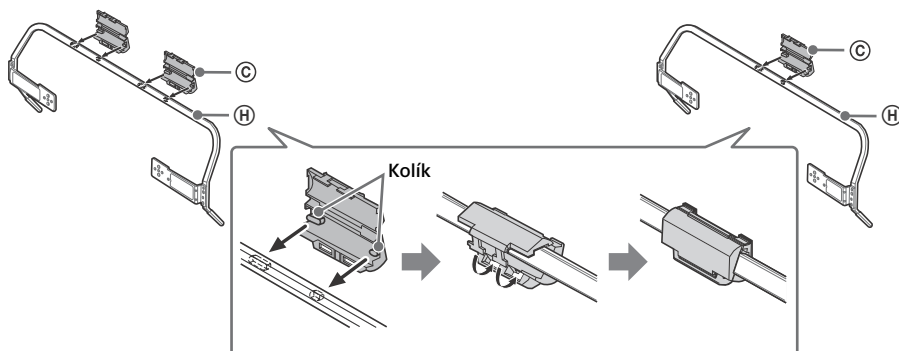
- 1 Odskrutkujte skrutky zo zadnej časti TV prijímača. Odskrutkované skrutky odložte na bezpečné miesto mimo dosahu detí.



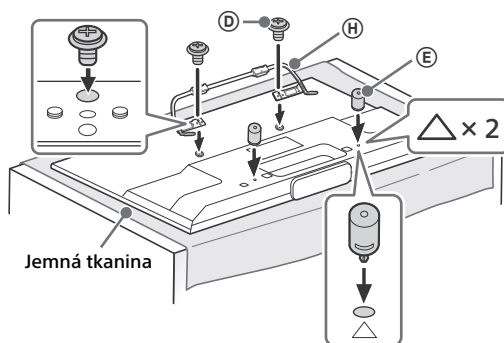
- 2 Vložte výstupok (na chrániči stojana ©) do otvoru v stojane ④ a preložte chránič stojana ©. Preverte, že chránič stojana © je pevne zapadnutý do stojana ④.

KDL-50W82xB, KDL-50W81xB,
KDL-50W80xB, KDL-50W70xB

KDL-42W82xB, KDL-42W81xB,
KDL-42W80xB, KDL-42/32W70xB



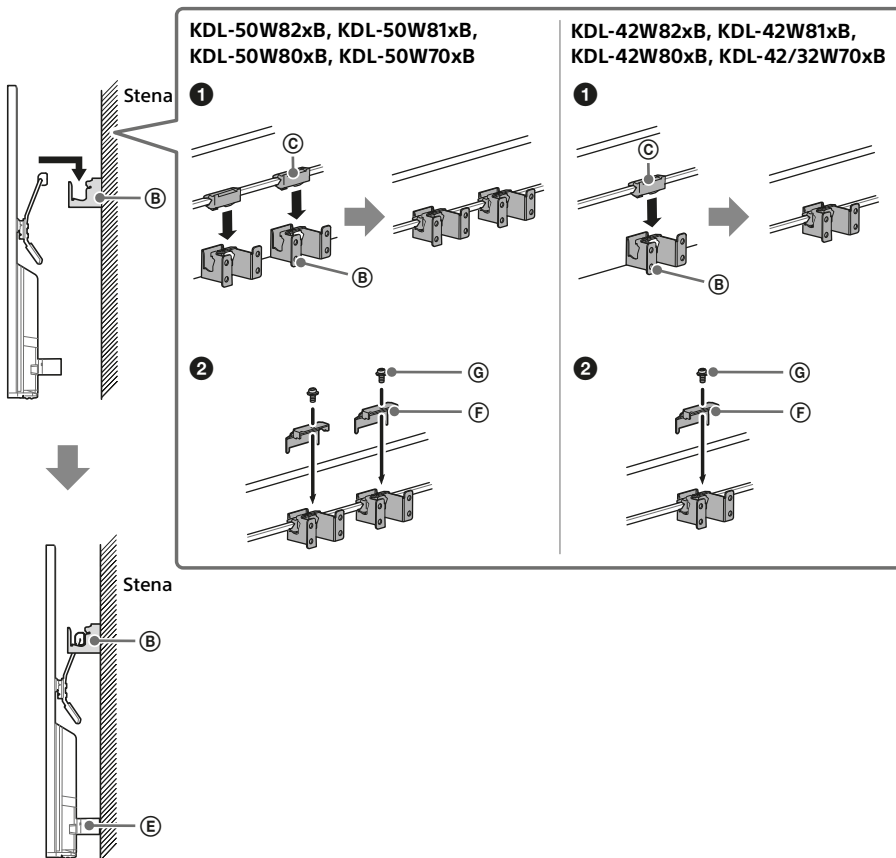
- 3 Pripevnite stojan ④ k TV prijímaču pomocou dodaných skrutiek ②. Vložte vložky ③ do otvorov označených trojuholníkovými značkami △. Na ilustračné účely je použitý model KDL-50W82xB, KDL-50W81xB, KDL-50W80xB, KDL-50W70xB.



SK

Inštalácia TV prijímača na stenu

- 1 Pred inštaláciou TV prijímača na stenu pripojte a zviažte káble.
- 2 Nainštalujte TV prijímač na stenu. Potom skontrolujte, či je chránič stojana © pevne zaistený na montážnej základni na stenu © a či sa vložky © dotýkajú steny. Pripevnite kryciu platničku konzoly © pomocou dodaných skrutiek ©.



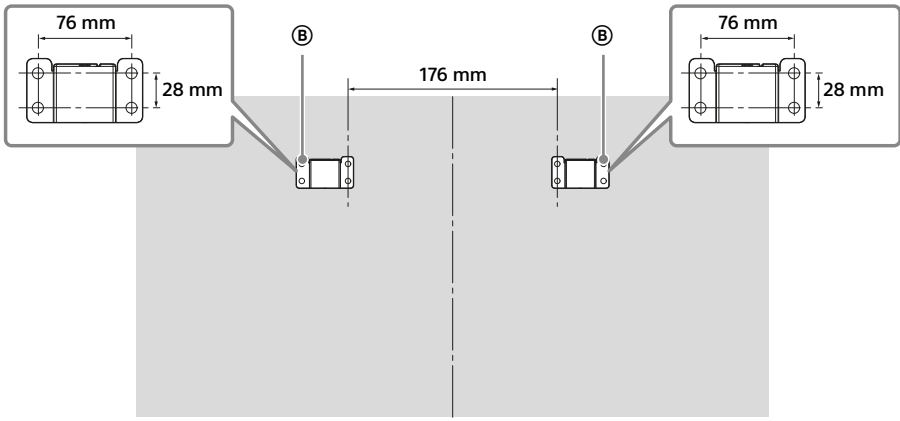
Rozmery pozícií otvorov na stene

Nasledujúce údaje podľa potreby poskytnite licenčným dodávateľom.

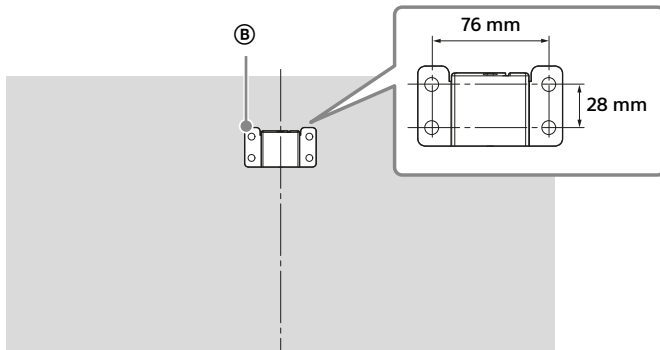
Na pripevnenie montážnej základne na stenu ② k stene použite skrutky (priemer 8 mm, nedodávajú sa).

Za účelom jednoduchšej inštalácie použite dodanú papierovú šablónu ①, na ktorej je znázornená poloha montážnej základne na stenu.

KDL-50W82xB, KDL-50W81xB, KDL-50W80xB, KDL-50W70xB



KDL-42W82xB, KDL-42W81xB, KDL-42W80xB, KDL-42/32W70xB



SK



Pokyny na inštaláciu montážnej konzoly na stenu pre váš model televízora nájdete na nasledujúcej webovej stránke: www.sony.eu/tv/wall-mount-bracket-manual

Riešenie problémov

Keď bliká kontrolka LED načerveno, počítajte koľko krát zabliká (časový interval je tri sekundy).

Ak Osvetlenie LED bliká načerveno, resetujte televízny prijímač odpojením napájacieho kábla od televízny prijímač na dve minúty a následným opätovným zapnutím televízny prijímač.

Ak problém pretrváva, kontaktujte predajcu alebo servisné stredisko spoločnosti Sony a uveďte počet bliknutí červenej Osvetlenie LED (časový interval sú tri sekundy). Stlačením tlačidla I/⏻ na televízny prijímač TV prijímač vypnite, odpojte napájací kábel a obráťte sa na predajcu alebo servisné stredisko spoločnosti Sony.

Keď kontrolka LED neblinká, skontrolujte položky podľa nasledujúcej tabuľky.

Môžete si pozrieť časť [Riešenie problémov] v návode i-Manual alebo vykonať autodiagnostiku postupným výberom položiek ? [Pomocník] → [Zákaznícka podpora] → [Autodiagnostika]. Ak problém pretrváva, nechajte TV prijímač opraviť kvalifikovanému servisnému technikovi.

Problémy a riešenia

Žiadny obraz (obrazovka je tmavá) a žiadny zvuk.

- Skontrolujte, či je pripojená anténa/kábel.
- Televízor zapojte do elektrickej zásuvky so striedavým prúdom a na televízore alebo diaľkovom ovládači stlačte I/⏻.

Niektoré programy sa nedajú naladiť.

- Skontrolujte anténu alebo satelit.
- Satelitný kábel môže mať skrat, alebo sú problémy s pripojením kábla. Skontrolujte kábel a jeho pripojenie, vypnite televízor sieťovým vypínačom a znova ho zapnite.
- Zadaná frekvencia je mimo dovolený rozsah. Problém konzultujte s vysielateľom satelitného programu.

Nenašli sa žiadne služby (programy) káblovej televízie.

- Skontrolujte pripojenie kábla alebo konfiguráciu ladenia.
- Pokúste sa vykonať [Automatické digitálne ladenie] výberom možnosti [Terestriálny] namiesto možnosti [Kábel].

Diaľkový ovládač nefunguje.

- Vymeňte batérie.
- Váš TV prijímač môže byť v režime SYNC. Stlačte tlačidlo **SYNC MENU**, vyberte možnosť [Ovládanie TV] a potom vyberte [Domov (ponuka)] alebo [Možnosti], aby ste ovládali TV prijímač.

Zabudnuté heslo [Rodičovský zámok].

- Zadaťte kód PIN 9999. (Kód PIN 9999 bude prijatý vždy.)

Okraj televízneho prijímača sa zahrieva.

- Keď sa televízny prijímač používa dlhšiu dobu, okraj televízneho prijímača je teplejší. Môžete to cítiť, keď sa ho dotknete rukou.

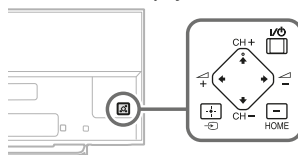
Zamrznutý zvuk alebo video, prázdna obrazovka alebo TV prijímač nereaguje na stlačenie tlačidiel TV prijímača alebo diaľkového ovládača.

- Vykonajte jednoduché resetovanie TV prijímača odpojením napájacieho kábla na dve minúty. Potom kábel znova pripojte.

Na TV prijímači nie je možné nájsť tlačidlá I/⏻, CH+/-, ⏪ +/-, ⏩ +/-, ⏹, [HOME].

- Pozrite si nasledujúci obrázok znázorňujúci umiestnenie tlačidiel na TV prijímači.

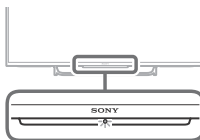
Zadná strana TV prijímača



Osvetlenie LED svieti.

- Ak nechcete, aby osvetlenie LED svietilo, môžete ho vypnúť.

Stlačte tlačidlo **HOME** a potom vyberte položky [Nastavenia] → [Nastavenia systému] → [Všeobecné nastavenie] → [Osvetlenie LED] → [Vyp.]. Môžete tiež stlačiť tlačidlo **OPTIONS** a vybrať položky [Osvetlenie LED] → [Vyp.].



Pripojenie k bezdrôtovému smerovaču použitím funkcie WPS zlyhalo.

- Ak používate zabezpečenie WEP, vyberte položky [Jednoduché] → [Wi-Fi] → [Pripojiť zo zoznamu vyhľadávania].

Potom vyberte názov siete (SSID), ku ktorej sa chcete pripojiť.

Názov požadovanej siete sa v nastavení siete nenašiel.

- Vyberte položku [[Manuálny vstup]] a stlačením tlačidla ⊕ zadajte názov siete.

Technické parametre

Systém

Systém panela

Panel LCD (displej s tekutými kryštálmi),
Podsvietenie LED

Systém televízneho vysielania

Analógový: V závislosti od výberu krajiny a regiónu: B/G, D/K, L, I, M

Digitálny: DVB-T/DVB-C
DVB-T2

Satelit: DVB-S/DVB-S2

Farebný/Videosystém

Analógový: PAL, SECAM, NTSC3.58, NTSC4.43

Digitálny: Pozrite si návod i-Manual.

Kanálový rozsah

Analógový: UHF/VHF/káblový v závislosti od zvolenej krajiny/oblasti.

Digitálny: UHF/VHF/káblový v závislosti od zvolenej krajiny/oblasti.

Satelit: Medzifrekvencia 950-2150 MHz

Zvukový výstup

8 W + 8 W (okrem modelov KDL-32W70xB)

5 W + 5 W (iba KDL-32W70xB)

Bezdrôtová technológia

Protokol IEEE802.11a/b/g/n

Vstupné a výstupné konektory

Kábel antény

75 Ohmov, externý konektor pre VHF/UHF

Satelitná anténa

Konektor samica typu F IEC169-24, 75 Ohmov.
DiSEqC 1.0, LNB 13 V/18 V a tón 22 kHz, Káblový rozvod EN50494.

AV1

21-pinový konektor Scart (norma CENELEC)
vrátane vstupu audio/video, vstupu RGB a výstupu TV audio/video.

COMPONENT IN

YPbPr (Komponentné video): 1080p (50, 60 Hz),
1080i (50, 60 Hz), 720p (50, 60 Hz), 576p, 576i,
480p, 480i

Vstup Audio (kolíkové konektory)

AV2

Vstup video (spoločný konektor fono so vstupom Y)

HDMI IN 1, 2, 3, 4 (okrem modelov

KDL-50/42/32W70xB)

Video (2D): 1080p (30, 50, 60 Hz), 1080/24p, 1080i
(50, 60 Hz), 720p (30, 50, 60 Hz), 720/24p, 576p,
576i, 480p, 480i, Formáty PC

Video (3D):

Zhustovanie rámcov: 1080p (30 Hz), 1080/24p, 1080i (50, 60 Hz), 720p (30, 50, 60 Hz), 720/24p
Vedľa seba: 1080p (50, 60 Hz), 1080/24p, 1080i (50, 60 Hz), 720p (50, 60 Hz)
Nad sebou: 1080p (30, 50, 60 Hz), 1080/24p, 1080i (50, 60 Hz), 720p (50, 60 Hz)

Audio: 5.1 kanálový lineárny PCM: 32, 44,1 a 48 kHz, 16, 20 a 24 bitov, Dolby Digital ARC (Audio Return Channel) (iba HDMI IN 2)

HDMI IN 1, 2, 3, 4 (iba KDL-50/42/32W70xB)

Video: 1080p (30, 50, 60 Hz), 1080/24p, 1080i (50, 60 Hz), 720p (30, 50, 60 Hz), 720/24p, 576p, 576i, 480p, 480i, Formáty PC
Audio: 5.1 kanálový lineárny PCM: 32, 44,1 a 48 kHz, 16, 20 a 24 bitov, Dolby Digital ARC (Audio Return Channel) (iba HDMI IN 2)

MHL (spoločný s HDMI IN 1)

(okrem modelov KDL-50/42/32W70xB)

Video (2D): 1080p (30 Hz), 1080/24p, 1080i (50, 60 Hz), 720p (30, 50, 60 Hz), 720/24p, 576p, 576i, 480p, 480i

Video (3D):

Vedľa seba: 1080/24p, 1080i (50, 60 Hz), 720p (50, 60 Hz)

Nad sebou: 1080p (30 Hz), 1080/24p, 1080i (50, 60 Hz), 720p (50, 60 Hz)

Audio: 5.1 kanálový lineárny PCM: 32, 44,1 a 48 kHz, 16, 20 a 24 bitov, Dolby Digital

MHL (spoločný s HDMI IN 1)

(iba KDL-50/42/32W70xB)

Video: 1080p (30 Hz), 1080/24p, 1080i (50, 60 Hz), 720p (30, 50, 60 Hz), 720/24p, 576p, 576i, 480p, 480i

Audio: 5.1 kanálový lineárny PCM: 32, 44,1 a 48 kHz, 16, 20 a 24 bitov, Dolby Digital

DIGITAL AUDIO OUT (OPTICAL)

Digitálny optický konektor (dvojkanálový lineárny PCM, Dolby Digital)

AUDIO OUT

Výstup Audio (stereofónny kolíkový minikonektor)
Konektor slúchadiel
(výstup podpory subwoofera)

1 (HDD REC), 2

Port zariadenia USB HDD (iba  1), Port USB



Slot CAM (modul pre podmienený prístup)

DC IN 19.5 V

Vstup pre adaptér

LAN

Konektor 10BASE-T/100BASE-TX (V závislosti od prevádzkového prostredia siete sa môže rýchlosť pripojenia meniť. Rýchlosť a kvalita komunikácie 10BASE-T/100BASE-TX nie je pre tento TV prijímač zaručená.)

Iné

Doplnkové príslušenstvo

Dialkový ovládač touchpad: RMF-ED004

Modul kamery s mikrofónom: CMU-BR200/
CMU-BR100

Bezdrôtový subwoofer: SWF-BR100

MHL kábel: DLC-MB10/DLC-MB20/DLC-MC10/
DLC-MC20

Aktívne 3D okuliare: TDG-BT500A (iba

KDL-50W82xB, KDL-50W81xB, KDL-50W80xB)



Pasívne 3D okuliare: TDG-500P (iba

KDL-42W82xB, KDL-42W81xB, KDL-42W80xB)



Prevádzková teplota

0 °C - 40 °C

Prevádzková vlhkosť

10 % - 80 % RH (nekondenzovaná)

Napájanie a iné

Požiadavky na napájanie

19,5 V jednosmerný prúd prostredníctvom

sieťového adaptéra

Menovitý výkon: Vstup 220 V – 240 V striedavého
prúdu, 50 Hz

Trieda energetickej efektívnosti

KDL-50W82xB, KDL-50W81xB, KDL-50W80xB,

KDL-50W70xB: A++

KDL-42W82xB, KDL-42W81xB, KDL-42W80xB,

KDL-42W70xB: A+

KDL-32W70xB: A

Rozmery obrazovky (merané diagonálne)

(Približne)

KDL-50W82xB, KDL-50W81xB, KDL-50W80xB,

KDL-50W70xB: 50 palcov / 125,7 cm

KDL-42W82xB, KDL-42W81xB, KDL-42W80xB,

KDL-42W70xB: 42 palcov / 106,7 cm

KDL-32W70xB: 32 palcov / 80,1 cm

Príkon

v režime [Štandardný]

KDL-50W82xB, KDL-50W81xB, KDL-50W80xB,

KDL-50W70xB: 51 W

KDL-42W82xB, KDL-42W81xB, KDL-42W80xB,

KDL-42W70xB: 50 W

KDL-32W70xB: 39 W

v režime [Živý]

KDL-50W82xB, KDL-50W81xB, KDL-50W80xB,

KDL-50W70xB: 100 W

KDL-42W82xB, KDL-42W81xB, KDL-42W80xB,

KDL-42W70xB: 99 W

KDL-32W70xB: 80 W

Priemerná ročná spotreba energie*1

KDL-50W82xB, KDL-50W81xB, KDL-50W80xB,
KDL-50W70xB: 71 kWh
KDL-42W82xB, KDL-42W81xB, KDL-42W80xB,
KDL-42W70xB: 69 kWh
KDL-32W70xB: 54 kWh

Príkon v pohotovostnom režime*2

0,5 W (10 W v režime aktualizácie softvéru / EPG)

Rozlíšenie displeja

1 920 bodov (vodorovne) × 1 080 riadkov (zvisle)

Rozmery (Približne) (š × v × h)

vrátane stolového stojana

KDL-50W82xB, KDL-50W81xB, KDL-50W80xB,
KDL-50W70xB: 111,6 × 69,3 × 17,9 cm
KDL-42W82xB, KDL-42W81xB, KDL-42W80xB,
KDL-42W70xB: 95,8 × 60,0 × 17,0 cm
KDL-32W70xB: 72,9 × 46,5 × 14,1 cm

bez stolového stojana

KDL-50W82xB, KDL-50W81xB, KDL-50W80xB,
KDL-50W70xB: 111,6 × 65,6 × 6,4 cm
KDL-42W82xB, KDL-42W81xB, KDL-42W80xB,
KDL-42W70xB: 95,8 × 56,3 × 6,4 cm
KDL-32W70xB: 72,9 × 43,3 × 6,4 cm

Hmotnosť (Približne)

vrátane stolového stojana

KDL-50W82xB, KDL-50W81xB, KDL-50W80xB,
KDL-50W70xB: 14,8 kg
KDL-42W82xB, KDL-42W81xB, KDL-42W80xB,
KDL-42W70xB: 11,7 kg
KDL-32W70xB: 7,9 kg

bez stolového stojana

KDL-50W82xB, KDL-50W81xB, KDL-50W80xB,
KDL-50W70xB: 13,6 kg
KDL-42W82xB, KDL-42W81xB, KDL-42W80xB,
KDL-42W70xB: 10,5 kg
KDL-32W70xB: 6,9 kg

*1 Spotreba energie za rok; táto hodnota platí pre spotrebu energie v prípade televízneho prijímača, ktorý bude používaný 4 hodiny denne počas 365 dní. Skutočná spotreba energie bude závisieť na spôsobe používania televízneho prijímača.

*2 Uvedený príkon v pohotovostnom režime sa dosiahne, keď televízny prijímač dokončí nevyhnutné vnútorné procesy.

Poznámka

- Písmeno „x“, ktoré je zobrazené v názve modelu, zodpovedá jednej z číslíc týkajúcich sa dizajnu, farby alebo systému televízneho vysielania.
- Zo slotu TV CAM (modul pre podmienený prístup) nevyberajte fiktívnu kartu za iným účelom, ako je vloženie inteligentnej karty do slotu CAM.
- Dostupnosť voliteľného príslušenstva závisí od krajiny/regiónu/modelu TV prijímača/zásob.
- Dizajn a špecifikácie sa môžu zmeniť bez oznámenia.
- Tento TV prijímač disponuje rozhraním MHL 2.

Poznámky k funkcii Digital TV

- Všetky funkcie súvisiace s funkciou Digital TV (DV3) budú pracovať iba v krajinách alebo na územiach, kde sa vysielajú digitálne terestriálne signály DVB-T/DVB-T2 (MPEG-2 a H.264/MPEG-4 AVC) alebo kde máte prístup ku káblovej službe kompatibilnej s DVB-C (MPEG-2 a H.264/MPEG-4 AVC). U miestneho predajcu si overte, či vo vašom bydlisku môžete prijímať signál DVB-T/DVB-T2. Alternatívne sa pýtajte svojho poskytovateľa káblových služieb, či je jeho káblová služba DVB-C vhodná na integrovanú súčinnosť s týmto televíznym prijímačom.
- Poskytovateľ služieb káblovej televízie si môže takéto služby spojovať a požadovať, aby ste prijali jeho obchodné podmienky.
- Tento televízny prijímač zodpovedá špecifikáciám DVB-T/DVB-T2 a DVB-C, avšak nemôžeme zaručiť kompatibilitu s budúcim digitálnym terestriálnym vysielaním DVB-T/DVB-T2 a s digitálnym káblovým vysielaním DVB-C.
- Niektoré funkcie Digital TV môžu byť v niektorých krajinách alebo oblastiach nedostupné a káblové vysielanie DVB-C nemusí správne fungovať u všetkých poskytovateľov.

Informácie o ochranných známkach

- Výrazy HDMI a HDMI High-Definition Multimedia Interface a logo HDMI sú ochranné známky alebo registrované ochranné známky spoločnosti HDMI Licensing LLC v USA a iných krajinách.
- DLNA®, logo DLNA a DLNA CERTIFIED® sú ochranné známky, známky služieb, alebo certifikačné známky združenia Digital Living Network Alliance.
- Vyrobené na základe licencie od spoločnosti Dolby Laboratories. Dolby a dvojitý symbol D sú obchodné značky spoločnosti Dolby Laboratories.
- „BRAVIA“ a BRAVIA sú ochranné známky spoločnosti Sony Corporation.
- TrackID je ochranná známka alebo registrovaná ochranná známka spoločnosti Sony Mobile Communications AB.

- Gracenote, Gracenote eyeQ, Gracenote VideoID, Gracenote Video Explore, Gracenote MusicID, logo a logotyp Gracenote a logo „Powered by Gracenote“ sú registrované ochranné známky alebo ochranné známky spoločnosti Gracenote v USA a/alebo v iných krajinách.
- Opera® Devices SDK from Opera Software ASA. Copyright 1995-2014 Opera Software ASA. All rights reserved.
- Wi-Fi, Wi-Fi Direct a Miracast sú ochranné známky alebo registrované ochranné známky združenia Wi-Fi Alliance.
- „Logo Sony Entertainment Network“ a „Sony Entertainment Network“ sú ochranné známky spoločnosti Sony Corporation.
- MHL, Mobile High-Definition Link a logo MHL sú ochranné známky alebo registrované ochranné známky spoločnosti MHL Licensing, LLC.
- Informácie o patentoch DTS nájdete na adrese <http://patents.dts.com>. Vyrobené na základe licencie od spoločnosti DTS Licensing Limited. DTS, symbol a DTS a symbol znázornené spolu sú registrované ochranné známky a DTS Digital Surround je ochranná známka spoločnosti DTS, Inc. © DTS, Inc. Všetky práva vyhradené.
- Designed with UEI Technology™
Under License from Universal Electronics Inc. Portions © UEI 2000 – 2013
- Slovná značka a logá Bluetooth® sú vlastníctvom spoločnosti Bluetooth SIG, Inc. a akékoľvek použitie týchto značiek zo strany spoločnosti Sony Corporation sa realizuje na základe licencie. Ostatné ochranné známky a obchodné názvy sú vlastníctvom príslušných vlastníkov.
- DiSEqC™ je ochranná známka spoločnosti EUTELSAT.
Tento TV prijímač podporuje DiSEqC 1.0.
Tento TV prijímač nie je určený pre kontrolné motorizované antény.

Tartalomjegyzék

FONTOS FIGYELMEZTETÉS	2
Biztonsági előírások	3
Óvintézkedések	5
A TV felszerelése a falra	7
A konzol falra szerelése	8
A TV felszerelésének előkészítése	11
A TV felszerelése a falra	12
Hibaelhárítás	14
Problémák és megoldások	14
Műszaki adatok	15

Bevezetés

Köszönjük, hogy ezt a Sony terméket választotta. Kérjük, mielőtt üzembe helyezi a készüléket, olvassa el figyelmesen ezt a használati utasítást, és őrizze meg, mert a későbbiekben is szüksége lehet rá.

Megjegyzés

- Kérjük, a TV használatba vétele előtt olvassa el a „Biztonsági előírások” című részt (3. oldal).
- „A TV felszerelése a falra” c. utasítások a tv-készülék használati utasításában találhatók.
- Az Üzembe helyezési útmutatóban és ebben az útmutatóban szereplő képek és ábrázolások csak hivatkozásként szolgálnak, és eltérhetnek a valós termék megjelenésétől.

Az azonosító címke helye

A tv típuszáma, a gyártási idő (hónap/év) és az áramellátás típusának címkéje a tv hátulján vagy a csomagoláson található. A hálózati csatlakozó modellszámának és sorozatszámának címkéi a hálózati csatlakozó alján találhatók.

FIGYELMEZTETÉS

A TŰZ TERJEDÉSÉNEK MEGELŐZÉSE ÉRDEKÉBEN TARTSA TÁVOL A GYERTYÁKAT ÉS AZ ÖSSZES EGYÉB NYÍLT LÁNGOT A TERMÉKTŐL.



FONTOS FIGYELMEZTETÉS

Ezt a terméket a Sony Corporation (1-7-1 Konan Minato-ku Tokió, 108-0075 Japán), vagy megbízottja gyártotta. Az Európai Unió jogszabályai alapján a termékbiztonsággal kapcsolatban a Sony Deutschland GmbH (Hedelfinger Strasse 61, 70327 Stuttgart, Németország) a jogosult képviselő. Kérjük, bármely szervizeléssel vagy garanciával kapcsolatos ügyben, a különálló szerviz- vagy garanciadokumentumokban megadott címekhez forduljon.

Megjegyzés a vezeték nélküli jellel kapcsolatban



Alulírott, Sony Corporation nyilatkozom, hogy a(z) készülék megfelel a vonatkozó alapvető követelményeknek és az 1999/5/EK irányelv egyéb előírásainak. További információkat a következő weboldalon találhat: <http://www.compliance.sony.de/>

Megjegyzés a felhasználók számára: a következő tájékoztatás az EU irányelveit alkalmazó országokban értékesített készülékekre vonatkozik.

A vezeték nélküli tv-rendszer csak a következő országokban használható:

AT, BE, HR, CY, CZ, DK, EE, FI, FR, DE, GR, HU, IE, IT, LV, LT, LU, MT, NL, PL, PT, SK, SI, ES, SE, GB, IS, LI, NO, CH, BG, RO, TR, AL, BA, MK, MD, RS, ME

Ez a készülék más, Európán kívüli országokban is használható.

Biztonsági előírások

FIGYELMEZTETÉS

Az elemeket ne tegye ki túlságosan magas hőmérsékletnek, például napfénynek, tűznek vagy hasonló hatásnak.

Üzembe helyezés, beállítás

Tűz, áramütés, anyagi kár vagy sérülés elkerülése érdekében a tv-készüléket az alábbi utasításoknak megfelelően helyezze üzembe és használja.

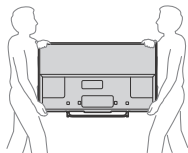
Üzembe helyezés

- A tv-készüléket egy könnyen elérhető hálózati aljzat közelébe helyezze.
- Helyezze a tv-készüléket stabil, sík felületre, hogy megelőzze annak leesését, ami személyi sérülést okozhatna, vagy a tv-készülék megromlását.
- A készülék falra szerelését szakemberrel végeztesse!
- Biztonsági okokból, határozottan javasolt az eredeti Sony tartozékok használata, köztük a következők:
 - Fali konzol
- A tartókat a fali konzolhoz mellélt csavarokkal rögzítse a tv-készülékre. A mellélt csavarok az ábrának megfelelően lettek kialakítva, a tartókampó (állvány) illesztési felületétől mérve. A csavarok hossza és átmérője a fali konzol modelljétől függően különbözik.
- A mellélt csavarok helyett más csavarok használata a tv-készülék belső sérülését eredményezheti, illetve a készülék leesését stb. okozhatja.



Szállítás

- A készülék szállítása előtt szüntesse meg a készülék összes csatlakozását.
- A készülék szállításához legalább két ember szükséges.
- Ha kézzel szállítja a tv-készüléket, akkor azt az alábbi ábra szerint kell megfogni. Ne gyakoroljon nyomást az LCD-képernyőre és a képernyőt körülvevő keretre.



- Amikor szállítja a készüléket, ne tegye ki ütődésnek vagy erős rázkódásnak.
- Ha a készüléket szervizbe szállítja vagy költözködik, mindig csomagolja vissza az eredeti dobozába.

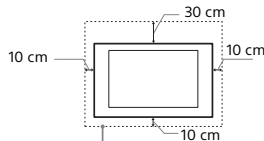
A felborulás megakadályozása

- A csavar becsavarozása előtt helyezze a készüléket képernyővel felfelé egy, a televíziókészüléknel nagyobb, stabil munkafelületre.
- Az LCD-képernyő felületének védelme érdekében a munkafelületre tegyen puha ruhát.

Szellőzés

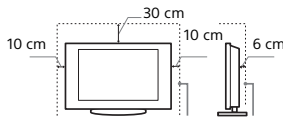
- Soha ne takarja el a készülék szellőzőnyílásait, illetve ne tegyen semmit a készülékbe.
- Az alábbi ábrán látható mértékű helyet hagyjon a készülék körül.
- Határozottan javasolt Sony fali konzol használata, a megfelelő szellőzés biztosítása érdekében.

Falra szerelve



Legalább ennyi helyet hagyjon a készülék körül.

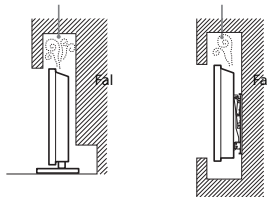
Állványon történő használat esetén



Legalább ennyi helyet hagyjon a készülék körül.

- A megfelelő szellőzés biztosítása, és por vagy szennyeződés felhalmozódásának megelőzése érdekében:
 - Ne üzemeltesse a készüléket a hátára vagy az oldalára fordítva.
 - Ne üzemeltesse a készüléket zárt polcon, ágyra vagy takaróra helyezve, illetve székrenyűben.
 - Ne takarja le a készüléket függőnnyel vagy hasonló textillalval, illetve újsággal vagy hasonló anyaggal.
 - Ne üzemeltesse a készüléket az alábbi módokon.

A légáramlás gátolat.



Hálózati csatlakozóvezeték

A tűz, áramütés, anyagi kár vagy sérülés elkerülése érdekében a hálózati csatlakozóvezeték az alábbi utasításoknak megfelelően használja:

- Csak a Sony által gyártott hálózati csatlakozóvezetékét használjon, ne használja más gyártóké.
- Útközéig tolja a csatlakozódugaszt a hálózati aljzatba.
- A tv-készüléket csak 220–240 V-os váltóáramú hálózatról üzemeltesse.
- Egyéb vezetékek csatlakoztatása előtt, a biztonsága érdekében, mindig húzza ki a hálózati csatlakozóvezetékét.
- Ügyeljen rá, hogy lábai ne akadjanak a vezetékekbe. Húzza ki a hálózati csatlakozóvezetékét a hálózati aljzatról, mielőtt a készüléken javítást végez vagy mozgatja azt.
- A hálózati csatlakozóvezetékét tartsa távol mindenféle hőforrástól.
- Rendszeresen húzza ki és tisztítsa meg alaposan a csatlakozódugaszt. Ha a dugasz beszenyeződik, az magába szívhatja a nedvességet, ami a szigetelési tulajdonságok romlásához vezethet, és ez tüzet okozhat.

Megjegyzés

- A mellélt hálózati csatlakozóvezetékét ne használja más készülékhez.
- A vezeték nem szabad túlzott mértékben megszorítani, meghajlítani vagy megcsavarni. A belső érpár csupaszolódhat vagy elszakadhat.
- A hálózati csatlakozóvezetékét nem szabad átalakítani.
- Ne helyezzen semmilyen nehéz tárgyat a hálózati csatlakozóvezetékre.
- Kihúzásnál soha ne magát a vezetékét húzza, hanem a csatlakozódugaszt.
- Ügyeljen arra, hogy ne csatlakoztasson túl sok készülék ugyanahhoz a hálózati aljzathoz.
- Soha ne használjon szakszerűtlenül felszerelt hálózati aljzatot.

FIGYELMEZTETÉS A HÁLÓZATI CSATLAKOZÓRA VONATKOZÓAN

Figyelmeztetés

A tűz és áramütés veszélyének csökkentése érdekében ne tegye ki a készüléket esőnek vagy nedvességnek.

A tűz vagy áramütés megelőzése érdekében ne tegyen a készülékre folyadékkal telt tárgyat, például vázát. A berendezést ne helyezze üzembe szűk helyeken, például könyvespolcon vagy hasonló szerelvényben.

- A készüléket egy könnyen elérhető hálózati aljzat közelébe helyezze.
- A mellékelt hálózati csatlakozót és hálózati csatlakozóvezetékét használja.
- Ne használjon más hálózati csatlakozót. Ez meghibásodást okozhat.
- A hálózati csatlakozót könnyen elérhető hálózati aljzatra csatlakoztassa.
- A hálózati csatlakozóvezetékét ne csavarja a hálózati csatlakozó köré. A belső vezeték elszakadhat, és a médiavevő hibás működését okozhatja.



- Ne érintse nedves kézzel a hálózati csatlakozót.
- Ha a hálózati csatlakozó működésében rendellenességet tapasztal, azonnal válassza le a hálózati aljzatról.
- A készülék addig nincs áramtalanítva, amíg a hálózati aljzatra csatlakozik, akkor sem, ha magát a készüléket kikapcsolta.
- Mivel a hálózati csatlakozó a hosszú használat során felmelegszik, előfordulhat, hogy a kezével forróra érzi.

Tilos a készülék használata!

Ne helyezze üzembe, és ne használja a tv-készüléket az alábbiakban felsorolt helyeken, környezetekben vagy alkalmakkor. Ellenkező esetben a készülék meghibásodhat, tüzet, áramütést, anyagi kárt vagy sérülést okozhat.

Elhelyezés:

- Kültéren (közvetlen napsugárzásnak kitett helyen), tengerparton, hajón vagy más vízi járművön, járműben, egészségügyi intézményekben, instabil helyen, víz közelében, esőben, nedves vagy füstös környezetben tilos.
- Ha a televíziókészüléket egy nyilvános fürdő vagy termálvíz öltözőjében szerelik fel, a televíziókészüléket károsíthatja a levegőben megtalálható kén és más anyagok.
- A legjobb képmínőség érdekében ne tegye ki a képernyőt közvetlen megvilágításnak vagy napfénynek.
- Kerülje a televíziókészülék hideg helyiségből meleg helyiségbe történő áthelyezését. A hirtelen hőmérséklet-változások páralecsapódást okozhatnak. Ez pedig a televíziókészülék rossz minőségű képet vagy színeket okozhat. Ha ez bekövetkezne, hagyjon időt a párának a teljes elpárolgására, mielőtt bekapcsolná a televíziókészüléket.



Környezet:

- Forró, páráos vagy túlzottan poros környezetben; ahol rovarok juthatnak a belsejébe; ahol rázkódásnak van kitéve, gyúlékony anyagok (pl. gyertya stb.) közelében. Ne tegye ki a tv-készüléket csepegő vagy fröccsenő víz hatásának, és ne helyezzen vízzel telt tárgyakat (pl. vázát) a tv-készülékre.
- Ne szerelje fel a televíziókészüléket páráos vagy poros helyen, vagy olyan helyiségben, ahol olajos füst vagy gőz található a levegőben (főzőasztalok vagy párologtatók közelében). Ez tűzhoz, áramütéshez vagy a készülék elgőbrőléséhez vezethet.
- A televíziókészüléket ne állítsa fel szélsőséges hőmérsékletnek, például közvetlen napsütésnek kitett helyen, fűtőtest vagy melegelegző-befűvő közelében. Ilyen esetben a televíziókészülék túlmelegedhet, a burkolata deformálódhat és/vagy a televíziókészülék meghibásodhat.



Alkalmom:

- Ne használja nedves kézzel, eltávolított készülékházzal; ne használja olyan kiegészítő berendezésekkel, amelyet a gyártó nem javasolt. Villámlással kísért vihar esetén húzza ki a készüléket a hálózati aljzatról, és távolítsa el az antennavezetéket is.
- Ne szerelje fel a készüléket olyan módon, hogy az akadályozza a közlekedést. Ez a televíziókészülék károsodását vagy személyi sérülést okozhat, ha egy személy vagy tárgy beleütközik.



Letört darabok:

- Ne dobjon semmit a tv-készüléknek. Az ütéstől a képernyő üvege betörhet, és komoly sérüléseket okozhat.
- Ha a készülék felülete megreped, ne érintse meg addig, amíg meg nem szüntette a hálózati vezeték csatlakozását. Ellenkező esetben áramütést szenvedhet.

Ha a készüléket nem használja

- Környezetvédelmi és biztonsági okokból javasoljuk, hogy áramtalanítsa teljesen a készüléket, ha hosszabb ideig nem használja azt.
- A tv-készülék kikapcsolt állapotban is feszültség alatt áll, amíg a hálózati aljzathoz csatlakozik. A készülék áramtalanításához, húzza ki a hálózati csatlakozóvezetékét a hálózati aljzatról.
- Elképzelhető, hogy némely tv-készülék bizonyos funkcióinak helyes működéséhez szükséges, hogy a készüléket készenléti üzemmódban hagyja.

A gyermekekre vonatkozóan

- Ne engedje, hogy a gyerekek felmászanak a készülékre.
- A kisméretű tartozékokat tartsa gyermekek elől elzárva, nehogy véletlenül lenyeljék azokat.

Ha a következő problémák merülnek fel...

Kapcsolja ki a tv-készüléket, és azonnal húzza ki a hálózati csatlakozóvezetékét, amikor a következő problémák valamelyikét tapasztalja.

Lépjön kapcsolatba egy Sony márkaszervizzel, és vizsgálgassa meg a készüléket szakemberrel.

Amikor:

- A hálózati csatlakozóvezeték megsérült.
- A csatlakozódugasz nem illeszkedik tökéletesen a hálózati aljzatra.
- A tv-készülék megsérült, mert elejtették, megütötték vagy valamit nekidobtak.
- Valamilyen folyadék vagy szilárd tárgy kerül a készülék valamely nyílásába.

Az LCD-monitor hőmérséklete

Ha az LCD-monitor hosszú ideig használja, a panel környezete felmelegszik. Ezt érezheti, ha odanyúl a kezével.

FALI KONZOL

Az alább található információk mutatják be a fali konzol helyes kezelését. Alaposan olvassa el ezeket az információkat és használja megfelelően a fali konzolt.

Vásárlóink figyelmébe:

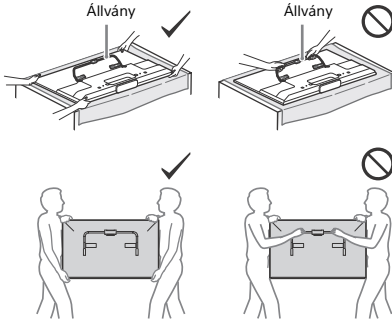
Mindig tartsa be az alábbi biztonsági előírásokat, hogy megelőzze a súlyos égési sérülést, az áramütést, a termék feldőlését vagy leesését.

- A szerelést erre felhatalmazott vállalkozó végezze, és a gyerekeket tartsa távol a szerelés helyszínétől.
- A tv-készülék szállítását és levételét erre felhatalmazott vállalkozó végezze.
- A tv-készülék felerősítése után ne távolítsa el a csavarokat stb.
- A fali konzolt ne szerelje szét, és az alkatrészeit ne változtassa meg.
- A fali konzolra csak a megadott készüléket erősítse fel.
- A fali konzolra csak a tv-készüléket erősítse fel.
- Ne támaszkodjon a tv-készülékre, és ne kapaszkodjon bele.
- A tv-készülék tisztítása vagy karbantartása során ne alkalmazzon túl nagy erőt.

Sony márkakereskedések és kivitelezők figyelmébe:

A következő útmutatások csak a Sony márkakereskedéseknek és kivitelezőknek szólnak. Feltétlenül olvassa el az alábbi biztonsági előírásokat, és a készülék felszerelése, karbantartása és ellenőrzése során fokozottan ügyeljen a biztonságra.

- A TV kezelése vagy felszerelésekor az oldalainál fogva aza. Ne emelje meg a TV-t az állványnál fogva.

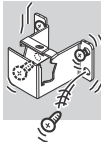


- A fali konzolt ne szerelje fel olyan helyen, ahol a tv-készülék sarkai vagy oldalai kilóghatnak a fal síkjából.



- A tv-készüléket ne szerelje légkondicionáló alá vagy fölé.

- Ügyeljen a fali konzol ennek a használati útmutatójának megfelelő, biztonságos falra rögzítésére. Ha bármelyik csavar laza, vagy kiesik, akkor a fali konzol leeshet, és személyi sérülést vagy anyagi kárt okozhat.
- A mellékelt csavarokat és csatlakozóelemeket használja, és tartsa be a használati útmutató utasításait. Ha más alkatrészeket használ, akkor a tv-készülék leeshet, és személyi sérülést okozhat, vagy a tv-készülék megromolódhat.



- A fali konzolt a használati útmutató utasításainak szigorú betartásával, helyesen szerelje össze.
- A megfelelő pozícióban erősen húzza meg a csavarokat.
- Ügyeljen arra, hogy felszerelés közben ne érje ütés a tv-készüléket.
- A tv-készüléket olyan sík falra szerelje fel, amely merőleges a padlózatra.
- A tv-készülék helyes felerősítése után megfelelően rögzítse a kábeleket.

- Ne hagyja, hogy a hálózati kábel vagy az összekötő kábelek becsipődjenek, mert különben a belső vezetékek szabadbá válhatnak, és rövidzárlat vagy szakadás következhet be.



Óvintézkedések

tv-nézés

- Egyes nézők a 3D videoképek megtekintése és a térhatású 3D játékok használata során kényelmetlen érzést (például a szem túlterhelését, fáradtságot vagy émelygést) tapasztalhatnak. A Sony azt javasolja, hogy a 3D videoképek megtekintése vagy a térhatású 3D játékok használata során minden néző tartson rendszeres szüneteket. A szükséges szünetek hossza és gyakorisága személyenként eltérhet. A legjobb megoldás a felhasználónak kell megtalálnia. Ha kényelmetlen érzést tapasztal, függesztse fel a 3D videoképek megtekintését és a térhatású 3D játékok használatát, amíg a kellemetlen érzés el nem múlik, és szükség esetén forduljon orvoshoz. Tekintse át a tv-készülékkel együtt használt más eszközök és adathordozók (i) használati útmutatóját és (ii) webhelyünk (<http://support.sony-europe.com/>) legfrissebb információit. A kisgyermekek látása (különösen a hat évesnél fiatalabb gyermekek esetében) még fejlődésben van. Mielőtt kisgyermekének engedélyezné a 3D videoképek vagy térhatású 3D játékok megtekintését, forduljon orvosához (gyermekorvosához vagy szemészéhez). A felnőtteknek a kisgyermek felügyelete során kell meggyőződniük arról, hogy a fenti ajánlásokat betartják-e.
- A 3D szemüveget vagy az elemet ne használja, tárolja, vagy hagyja tűz közelében vagy magas hőmérsékletű helyen, pl. közvetlen napsütésben vagy napon álló autóban.
- A szimulált 3D funkció használata esetén vegye figyelembe, hogy a televízió által végzett konverzió miatt a megjelenő kép különbözik az eredetitől.
- A tv-készüléket közepes megvilágítás mellett nézze, mert a túl gyenge fénynél történő tv-nézés, vagy hosszú ideig történő használat megerősítheti szemét.
- Fehalgtató használata esetén kerülje a túl nagy hangerőt, mert károsodhat a hallása.

LCD-képernyő

- Annak ellenére, hogy az LCD-képernyőt nagypontosságú technológiával gyártják, és a képpontok legalább 99,99%-a működőképes, feketé vagy világos (piros, kék, zöld) pontok jelenhetnek meg tartósan a képernyőn. Ez az LCD-képernyő szerkezeti jellemzője, és nem jelent hibás működést.
- Ne nyomja vagy karcolja meg a képernyő felületét, és ne helyezzen semmilyen tárgyat a készülék tetejére. A megjelenítés egyenetlenné válhat, és az LCD-képernyő megsérülhet.
- Ha a készüléket hideg helyen üzemelteti, a kép elmosódottá válhat, vagy a képernyő elsötétülhet. Ez nem hibajelenség. A jelenség megszűnik, amint a hőmérséklet emelkedik.
- Ha hosszabb ideig állóképet jelenít meg a képernyőn, szellemkép jelenhet meg. Ez pár pillanat múlva eltűnik.
- A készülék üzemeltetése közben a képernyő és a készülékház felmelegedhet. Ez nem hibajelenség.
- Az LCD-képernyő kis mennyiségű folyadékkristályt tartalmaz. Kövesse a helyi előírásokat és szabályozásokat hulladékként történő elhelyezésékor.

A készülék képernyőjének és házának kezelése és tisztítása

A tisztítás megkezdése előtt húzza ki a készülék hálózati csatlakozóvezetékét az aljzatból.

Az anyagok, illetve a képernyő bevonatának károsodását elkerülendő tartsa be az alábbi óvintézkedéseket.

- A képernyő és a készülékház portalanításához használjon puha tisztítókendőt. Ha a port nem lehet letörölni, nedvesítse meg a tisztítókendőt enyhén mosószeres oldattal.
- Ne permetezzen vizet vagy tisztítószert közvetlenül a tv-készülékre. Beszívárogat a képernyő aljába vagy a külső alkatrészekbe, illetve a tv-készülék belsejébe juthat, és a tv-készülék károsodását okozhatja.
- Soha ne használjon súrolóeszközt, lúgos vagy savas tisztítószert, súrolópórt, illetve oldószert, például alkoholt, benzint, higítót vagy rovarirtót. Ezek az anyagok károsíthatják a képernyő és a készülékház felületét.



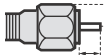
- A megfelelő szellőzés biztosítása érdekében javasoljuk a szellőzőnyílások rendszeres porszívózását.
- A készülék dőlésszögének beállításakor lassan mozgassa a készüléket, így elkerülheti, hogy az elmozduljon vagy lecsúszson az állványról.

Külső készülékek

- Tartsa távol a tv-készüléktől a külön megvásárolható készülékeket vagy bármely eszközt, amely elektromágneses sugárzást bocsát ki. Ellenkező esetben torzult kép vagy zaj jelentkezhet.
- Ez a termék a tesztleletek alapján az EMC-irányelvben meghatározott korlátokon belül esik, ha 3 méternél rövidebb jelkábellel használják.

Javaslatok az F típusú csatlakozóhoz

A belső vezeték legfeljebb 1,5 mm-re állhat ki a csatlakozó részből.



Legfeljebb 7 mm

Legfeljebb 1,5 mm

(Az F típusú csatlakozó referenciabrája)

Figyelmeztetés a távvezérlő használatával kapcsolatban

- Győződjön meg arról, hogy a mellékelt elemeket megfelelő polaritással helyezi be a távvezérlőbe.
- Ne használjon együtt régi és új, illetve eltérő típusú elemeket.
- Gondoskodjon a kimerült elemek környezetbarát elhelyezéséről. Bizonyos régiókban törvény szabályozza az elemek hulladékként történő elhelyezését. Lépjen kapcsolatba a helyi hatóságokkal.
- Óvatosan kezelje a távvezérlőt. Ne ejtse le, ne lépjen rá és ne öntsön rá semmilyen folyadékot.
- Ne helyezze a távvezérlőt hőforrás közelébe, ne tegye ki közvetlen napfény hatásának, és ne tárolja nyirkos helyiségben.

Az egység vezeték nélküli funkciója

- Ne használja a készüléket egészségügyi berendezések (szívrítmusszabályozó stb.) közelében, mert ilyen esetben ezek hibásan működhetnek.
- Bár a készülék kódolt jeleket ad/vesz, ügyeljen a jogosulatlan lehallgatásra. Az ebből eredő problémáért nem vállalunk felelősséget.

FALI KONZOL

- Ha a fali konzolra erősített tv-készüléket hosszú ideig használja, akkor a fal anyagától függően a tv-készülék mögött vagy felett elszíneződhet a fal felület, vagy a tapéta leválhat.
- Ha a fali konzolt leszereli, a csavarfuratok megmaradnak.
- Ne használja a fali konzolt olyan helyen, ahol mechanikai rezgésnek lehet kitéve.

A tv-készülék elhelyezése hulladékként



Feleslegessé vált elektromos és elektronikus készülékek hulladékként való eltávolítása (Használható az Európai Unió és egyéb európai országok szelektív hulladékgyűjtési rendszereiben)

Ez a szimbólum a készüléken vagy a csomagolásán azt jelzi, hogy a terméket ne kezelje háztartási hulladékként. Kérjük, hogy az elektromos és elektronikai hulladék gyűjtésére kijelölt gyűjtőhelyen adja le. A feleslegessé vált termék helyes kezelésével segít megelőzni a környezet és az emberi egészség károsodását, mely bekövetkezhetne, ha nem követi a hulladékkezelés helyes módját. Az anyagok újrahasznosítása segít a természeti erőforrások megőrzésében. A termék újrahasznosítása érdekében további információért forduljon a lakhelyén az illetékesekhez, a helyi hulladékgyűjtő szolgáltatóhoz vagy ahhoz az üzlethez, ahol a terméket megvásárolta.



Feleslegessé vált elemek hulladékként való eltávolítása (Használható az Európai Unió és egyéb európai országok szelektív hulladékgyűjtési rendszereiben)

Ez a szimbólum az elemen vagy annak csomagolásán azt jelzi, hogy a terméket ne kezelje háztartási hulladékként. Egyes elemeken vagy azok csomagolásán ez a szimbólum együtt szerepelhet a higany (Hg) vagy az ólom (Pb) vegyjével akkor, ha az elem 0,0005%-nál több higanyt vagy 0,004%-nál több ólomot tartalmaz. Kérjük, hogy azt a használt elemek gyűjtésére kijelölt gyűjtőhelyen adja le. A feleslegessé vált elemek helyes kezelésével segít megelőzni a környezet és az emberi egészség károsodását, mely bekövetkezhetne, ha nem követi a hulladékkezelés helyes módját. Az anyagok újrahasznosítása segít a természeti erőforrások megőrzésében. Olyan berendezéseknél alkalmazott elemeket, ahol biztonsági, teljesítményi, illetve adatok megőrzése érdekében elengedhetetlen az energiaellátás folyamatoságának biztosítása, csak az arra felkészült szerviz állomány cserélheti ki. Beépített elem esetén, hogy biztosítható legyen az elem megfelelő kezelése, a termékének elhasználódásakor jutassa el azt az arra kijelölt elektromos és elektronikus hulladékgyűjtő pontra. Minden más elem esetén kérjük, hogy tanulmányozza, milyen módon lehet biztonságosan az elemet a készülékből eltávolítani. Az elemet a használt elemek megfelelő begyűjtőhelyén adja le. A termék újrahasznosítása érdekében további információért forduljon a lakhelyén az illetékesekhez, a helyi hulladékgyűjtő szolgáltatóhoz vagy ahhoz az üzlethez, ahol a terméket megvásárolta.

A TV felszerelése a falra

Vásárlóink figyelmébe

A termék felszereléséhez megfelelő tapasztalat szükséges. A szerelést a Sony viszonteladója vagy szerződött alvállalkozója végezze, különös tekintettel a szerelés biztonságára. A Sony nem tehető felelőssé a helytelen kezelésből vagy a helytelen szerelésből, illetve a megadott terméktől eltérő termék felszereléséből adódó semmilyen anyagi kárért vagy személyi sérülésért. Az Ön törvényes jogait (ha vannak) ez nem érinti.

Sony viszonteladók és alvállalkozók figyelmébe

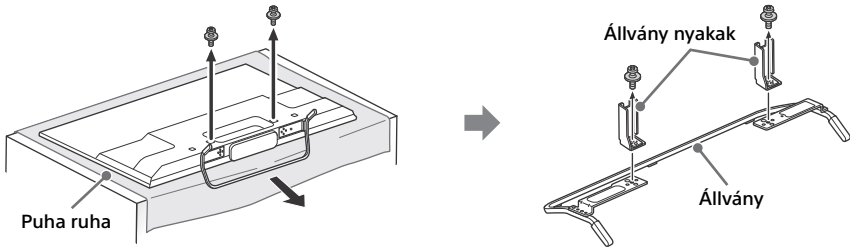
A termék felszereléséhez megfelelő tapasztalat szükséges. A biztonságos munkavégzés érdekében alaposan olvassa el ezt a használati útmutatót. A Sony nem tehető felelőssé a helytelen kezelés és szerelés miatt bekövetkezett semmilyen kárért vagy sérülésért.

A TV asztali állványa a fali konzol részeként használatos.

Megjegyzés

- A fali konzol felszerelése előtt olvassa el a FALI KONZOL nyomtatvány 3. (Biztonsági előírások) és 5 (Övintézkedések) oldalát.
- Ha az asztali állvány a televízióhoz van rögzítve, először válassza le az asztali állványt.
- Amikor levásztja az asztali állványt a TV-ről vagy rögzíti az állványt, az LCD-képernyő felületének védelme érdekében helyezze a TV-t a képernyőjével lefelé egy stabil, vízszintes munkafelületre, amelyet letakart egy, a televíziónál nagyobb vastag, puha ruhával.
- Ha az állvány nyaka le van választva az állványról, figyeljen arra, hogy biztos helyen tartsa a nyakat és a csavarokat.
- Az asztali állvány visszaszerelésekor a csavarokat (amelyeket előzőleg eltávolított) a TV hátlapján található eredeti furatokba csavarozza vissza.
- Bekapcsolás előtt győződjön meg arról, hogy a tv függőleges helyzetben van. Ne kapcsolja be a tv-készüléket, ha az LCD panel lefelé néz, mert a képmegjelenítés egyenetlenné válhat.

Az asztali állvány leválasztása a TV-ről

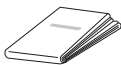


A konzol falra szerelése

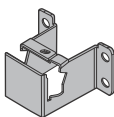
1 Készítse elő a szükséges tartozékokat.

Fali konzol tartozékai (mellékelve)

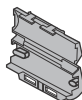
A Papírsablon



- B** Fali konzol alapzata
KDL-50W82xB,
KDL-50W81xB,
KDL-50W80xB,
KDL-50W70xB (2)
KDL-42W82xB,
KDL-42W81xB,
KDL-42W80xB,
KDL-42/32W70xB (1)



- C** Állványvédő
KDL-50W82xB,
KDL-50W81xB,
KDL-50W80xB,
KDL-50W70xB (2)
KDL-42W82xB,
KDL-42W81xB,
KDL-42W80xB,
KDL-42/32W70xB (1)



- D** Csavar
(+PSW 6 x 12) (2)



- E** Távtartó (2)



- F** Konzol zárólemeze
KDL-50W82xB,
KDL-50W81xB,
KDL-50W80xB,
KDL-50W70xB (2)
KDL-42W82xB,
KDL-42W81xB,
KDL-42W80xB,
KDL-42/32W70xB (1)

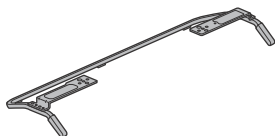


- G** Csavar (+PSW 4 x 10)
KDL-50W82xB,
KDL-50W81xB,
KDL-50W80xB,
KDL-50W70xB (2)
KDL-42W82xB,
KDL-42W81xB,
KDL-42W80xB,
KDL-42/32W70xB (1)



Állvány (mellékelve)

H

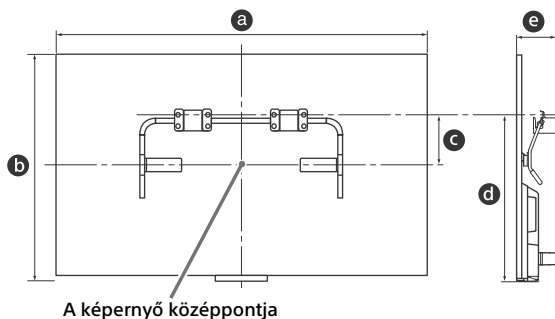


Csavarok a fali konzol alapzatához (8 mm átmérőjűek, nincsenek mellékelve)

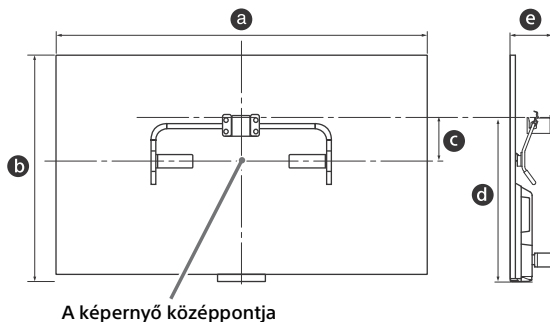
- KDL-50W82xB,
KDL-50W81xB,
KDL-50W80xB,
KDL-50W70xB (8)
KDL-42W82xB,
KDL-42W81xB,
KDL-42W80xB,
KDL-42/32W70xB (4)

- 2 Győződjön meg arról, hogy a fal megfelelő méretű, illetve hogy legalább a televíziókészülék súlyának négyszeresét képes megtartani. A következő táblázat alapján szerelje fel a TV-t a falra. A TV súlyát lásd a(z) 15–18. oldalon (Műszaki adatok).

KDL-50W82xB, KDL-50W81xB, KDL-50W80xB, KDL-50W70xB



KDL-42W82xB, KDL-42W81xB, KDL-42W80xB, KDL-42/32W70xB



Mértékegység: cm

Típusnév KDL-	A képernyő méretei		A képernyő középpontjának helyét meghatározó méret	A felszereléshez tartozó hosszérték	
	a	b	c	d	e
50W82xB/ 50W81xB/ 50W80xB/ 50W70xB	111,6	65,6	13,0	46,9	11,8
42W82xB/ 42W81xB/ 42W80xB/ 42W70xB	95,8	56,3	17,5	46,5	11,8
32W70xB	72,9	43,3	18,8	41,3	11,3

Megjegyzés

- A felszereléstől függően a táblázat adataihoz képest kisebb eltérés mutatkozhat.

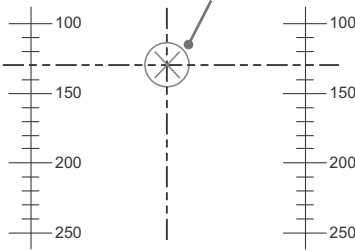
HU

3 Rajzoljon egy, a tv-képernyő közepét jelző jelet az **(A)** papírsablonra.

**KDL-50W82xB, KDL-50W81xB,
KDL-50W80xB, KDL-50W70xB**

Lépték az **(A)** papírsablonon

KDL-50W82xB, KDL-50W81xB,
KDL-50W80xB, KDL-50W70xB jelölése

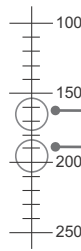


**KDL-42W82xB, KDL-42W81xB,
KDL-42W80xB, KDL-42/32W70xB**

Lépték az **(A)** papírsablonon

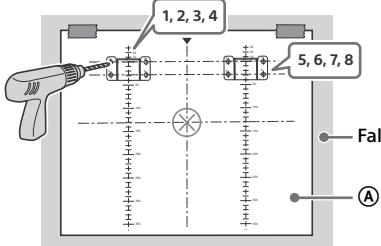
KDL-42W82xB, KDL-42W81xB,
KDL-42W80xB, KDL-42W70xB
jelölése

KDL-32W70xB jelölése

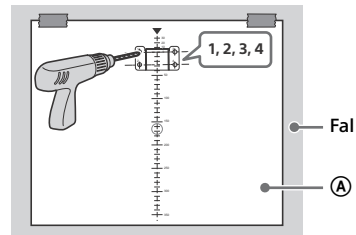


4 Ragassza a falra az **(A)** papírsablont, és elektromos fúróval fúrjon lyukakat a falra az **(A)** papírsablon számozása szerint.

**KDL-50W82xB, KDL-50W81xB,
KDL-50W80xB, KDL-50W70xB**



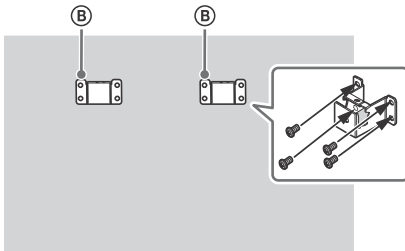
**KDL-42W82xB, KDL-42W81xB,
KDL-42W80xB, KDL-42/32W70xB**



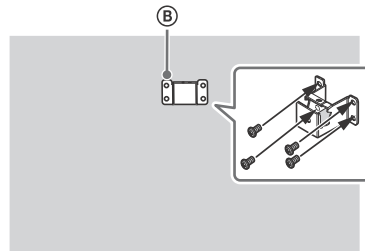
5 Húzza le a falról az **(A)** papírsablont.

6 Rögzítse megfelelően a falhoz a **(B)** fali konzol alapzatát a csavarokkal (8 mm átmérőjűek, nincsenek mellékelve).

**KDL-50W82xB, KDL-50W81xB,
KDL-50W80xB, KDL-50W70xB**

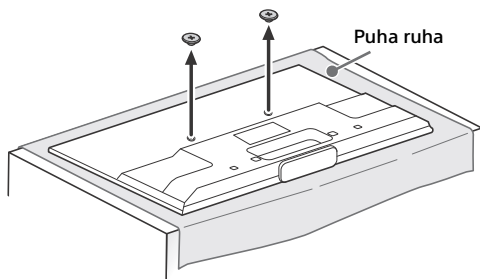


**KDL-42W82xB, KDL-42W81xB,
KDL-42W80xB, KDL-42/32W70xB**



A TV felszerelésének előkészítése

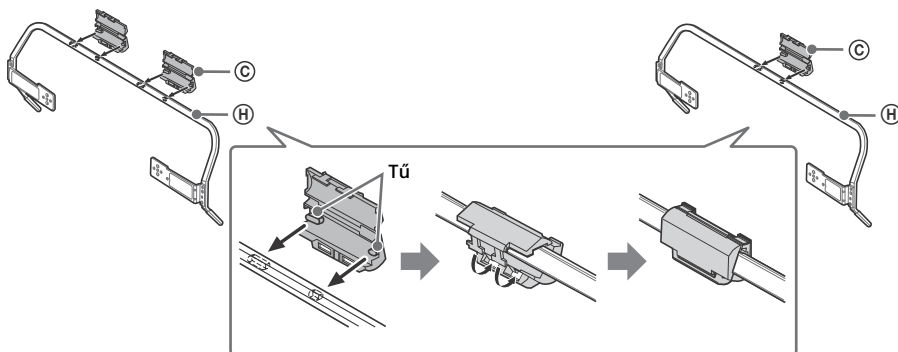
- 1 Távolítsa el a csavarokat a TV hátljáról. Az eltávolított csavarokat biztos helyen, gyermekek elől elzárva tárolja.



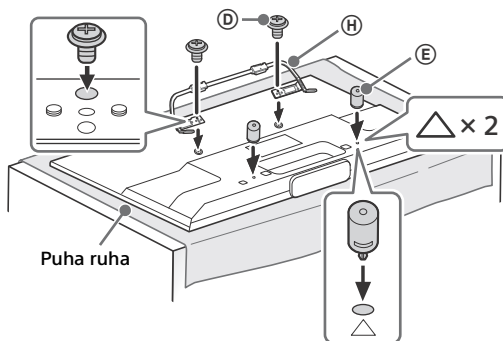
- 2 Illessze a (C) állványvédőn található tűt a (H) állványon található furatba, majd hajtsa fel a (C) állványvédőt. Győződjön meg arról, hogy a (C) állványvédő erősen rögzítve van a (H) állványhoz.

KDL-50W82xB, KDL-50W81xB,
KDL-50W80xB, KDL-50W70xB

KDL-42W82xB, KDL-42W81xB,
KDL-42W80xB, KDL-42/32W70xB



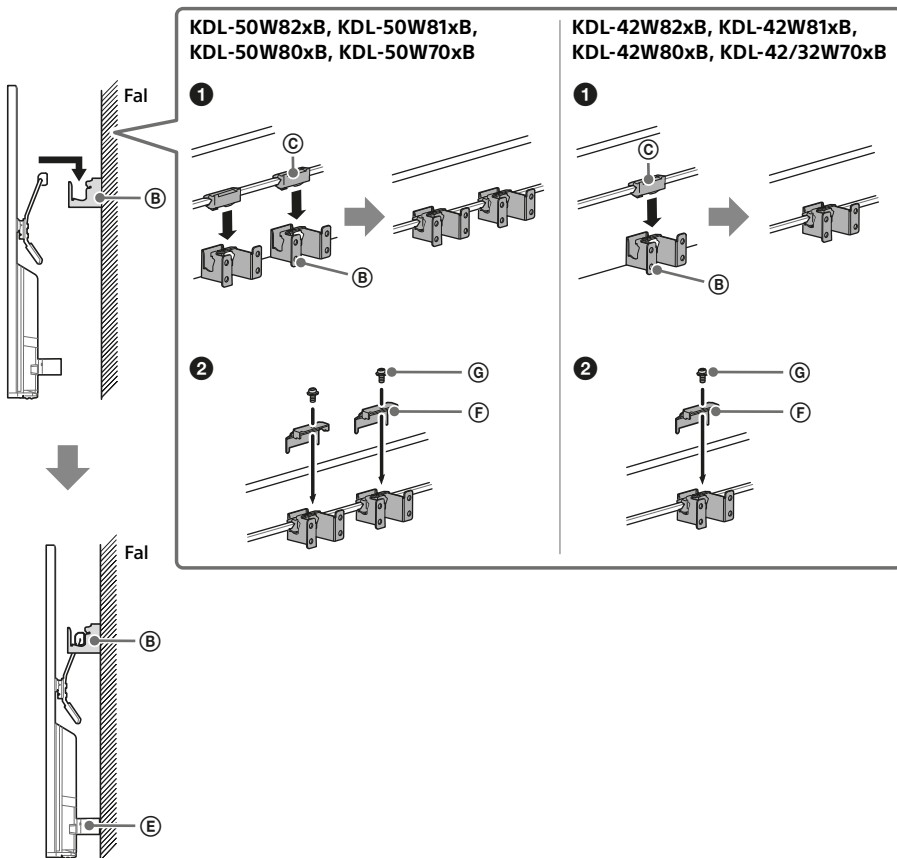
- 3 Rögzítse a (H) állványt a TV-hez a mellékelt (D) csavarokkal. Csatlakoztassa az (E) távtartókat a háromszöggel jelölt furatokhoz Δ . Az ábrán a KDL-50W82xB, KDL-50W81xB, KDL-50W80xB, KDL-50W70xB modell látható.



HU

A TV felszerelése a falra

- 1 Mindenképpen csatlakoztassa és kötegelje a kábeleket, mielőtt felszereli a TV-t a falra.
- 2 Szerelje fel a TV-t a falra. Ezután győződjön meg arról, hogy a © állványvédő erősen rögzítve van a ② fali konzol alapzatához, és az ⑤ távtartók a falhoz érnek. Csatlakoztassa az ⑥ konzolzárólemezt a mellékelt ⑦ csavarokkal.



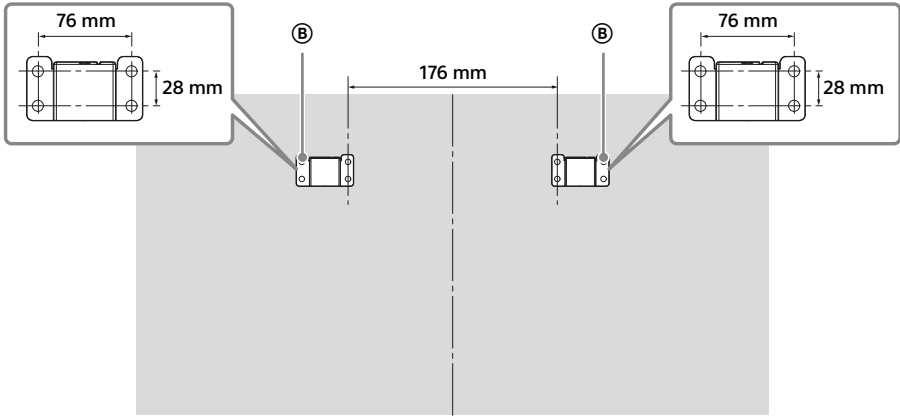
Méretetek a furatok elhelyezéséhez a falon

Szükség esetén adja meg a következő információkat a felhatalmazott vállalkozóknak.

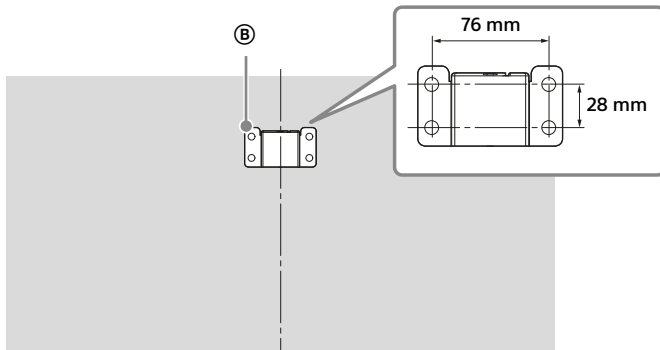
A csavarok (8 mm átmérőjűek, nincsenek mellékelve) használatával rögzítse a ② fali konzol alapzatát a falhoz.

Mindenképp a mellékelt ① papírsablont használja, amely a könnyű szerelés érdekében a fali konzol alapzatának valós helyét mutatja.

KDL-50W82xB, KDL-50W81xB, KDL-50W80xB, KDL-50W70xB



KDL-42W82xB, KDL-42W81xB, KDL-42W80xB, KDL-42/32W70xB



Az Ön TV-készülékének fali konzolra szerelésével kapcsolatos útmutatást a következő honlapon találja:
www.sony.eu/tv/wall-mount-bracket-manual

Hibaelhárítás

Ha a világítás LED vörösen villog, számolja meg, hogy hányszor villan fel (a villanások között három másodperc van).

Ha a világítás LED vörösen villog, állítsa alaphelyzetbe a tv-készüléket a hálózati vezeték leválasztásával a tv-készülekről két percre, majd kapcsolja be a tv-készüléket.

Ha a probléma továbbra is fennáll, lépjen kapcsolatba a forgalmazóval vagy a Sony szervizközponttal, és mondja el, hogy a világítás LED hányszor villan fel vörösen (a villanások között három másodperc van). Nyomja meg az I/⏻ gombot a tv-készüléken a kikapcsoláshoz, távolítsa el a hálózati vezetéket, és értesítse a forgalmazót vagy a Sony szervizközpontot.

Ha a világítás LED nem villog, ellenőrizze a hibalehetőségeket az alábbi táblázatban.

Az öndiagnózis végrehajtásához elolvashatja az i-kézikönyv [Hibaelhárítás] szakaszát is a ? [Súgó] → [Ügyféltámogatás] → [Öndiagnosztika] lehetőség kiválasztásával. Ha a probléma továbbra is fennáll, javíttassa meg a TV-t egy szakemberrel.

Problémák és megoldások

Nincs kép (a képernyő sötét), nincs hang.

- Ellenőrizze az antenna/kábeltelevíziós kábel csatlakozását.
- Csatlakoztassa a tv-készüléket az AC hálózati feszültségre, majd nyomja meg a tv vagy a távvezérlő I/⏻ gombját.

Egyes műsorok nem rögzíthetők.

- Ellenőrizze az antennát.
- Elképzelhető, hogy zártatos a műholdkábel, esetleg a kábel nincs megfelelően csatlakoztatva. Ellenőrizze a kábel csatlakozását, és a hálózati tápellátás be-/kikapcsolójával kapcsolja ki, majd kapcsolja be újra a televíziókészüléket.
- A megadott frekvencia kívül esik a tartományon. Lépjen kapcsolatba a befogott műhold műsorszolgáltató vállalattal.

Nem található Kábel tv-s szolgáltatás (műsor).

- Ellenőrizze a kábelek csatlakozását vagy a hangolási konfigurációt.
- A [Digitális automatikus hangolás] megkísérléséhez válassza az [Földi sugárzású] lehetőséget a [Kábel] helyett.

A távvezérlő nem működik.

- Cserélje ki az elemeket.
- Lehetséges, hogy a tv-készüléke SYNC üzemmódban van. A tv-készülék vezérléséhez nyomja meg a **SYNC MENU** gombot, válassza a [Tv-vezérlés] funkciót, majd a [Főmenü] vagy az [Opciók] lehetőséget.

Elfelejtette a [Gyermekzár] jelszavát.

- Írja be a 9999 PIN-kódot. (A 9999 PIN-kódot mindig elfogadja a készülék.)

A tv-készülék környezete felmelegszik.

- Ha a tv-készüléket hosszú ideig használja, a környezete felmelegszik. Ezt érezheti, ha odanyúl a kezével.

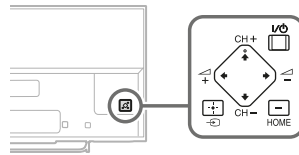
Megakadt hang vagy kép, üres képernyő, vagy a tv-készülék nem reagál a tv-készülék vagy a távirányító gombjaira.

- Hajtsa végre a tv-készülék alaphelyzetbe állítását. Ehhez húzza ki két percre az AC hálózati kábelt, majd csatlakoztassa újra.

Nem találja a I/⏻, CH+/-, ▲ +/-, ♦/♦/♦/♦, ⇨, [] vagy HOME gombot a TV-n.

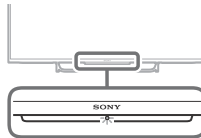
- A TV gombjainak helyével kapcsolatban tekintse meg az alábbi ábrát.

A TV hátulnézete



A világítás LED világít.

- Ha nem szeretné, hogy a világítás LED világítson, kikapcsolhatja. Nyomja meg a **HOME** gombot, majd válassza a [Beállítások] → [Rendszerbeállítások] → [Általános beállítások] → [Világítás LED] → [Ki] lehetőséget. Másik lehetőségként nyomja meg az **OPTIONS** gombot, majd válassza a [Világítás LED] → [Ki] lehetőséget.



Nem lehet csatlakozni a vezeték nélküli útválasztóhoz a WPS segítségével.

- WEP biztonság használata esetén válassza az [Egyszerű] → [Wi-Fi] → [Csatlakozás keresési lista alapján] lehetőséget.
Ezután válassza ki annak a hálózatnak a nevét (SSID), amelyhez csatlakozni kíván.

A hálózati beállításokban nem található a kért hálózati név.

- Válassza a [[Kézi beírás]] lehetőséget, és nyomja meg a ⊕ gombot a hálózati név megadásához.

Műszaki adatok

A forgalomba hozó tanúsítja, hogy a KDL-50W82xB, KDL-50W81xB, KDL-50W80xB, KDL-50W70xB, KDL-42W82xB, KDL-42W81xB, KDL-42W80xB, KDL-42W70xB, KDL-32W70xB típusú készülékek a 2/1984. (III. 10.) számú BkM-IpM együttes rendeletben előírtak szerint megfelelnek a következő műszaki jellemzőknek.

Rendszer

Megjelenítő típusa

LCD (folyadékkristályos kijelző) megjelenítő,
LED-es háttér-megvilágítás

tv-rendszer

Analóg: Az ország-/régióválasztástól függően:

B/G, D/K, L, I, M

Digitális: DVB-T/DVB-C

DVB-T2

Műhold: DVB-S/DVB-S2

Szín-, videorendszer

Analóg: PAL, SECAM, NTSC3.58, NTSC4.43

Digitális: Tekintse meg az i-Manual kézikönyvet.

Fogható csatornák

Analóg: UHF/VHF/kábel, az ország-/régióválasztástól függően.

Digitális: UHF/VHF/kábel, az ország-/régióválasztástól függően.

Műhold: 950-2150 MHz KF frekvencia

Hangkimeneti teljesítmény

8 W + 8 W (kivéve a KDL-32W70xB modellt)

5 W + 5 W (csak KDL-32W70xB)

Vezeték nélküli technológia

IEEE802.11a/b/g/n protokoll

Bemeneti/kimeneti aljzatok

Antennakábel



75 Ohmos külső antennacsatlakozó VHF/UHF-hez

Műholdantenna

F típusú anya csatlakozó, IEC169-24, 75 ohm.

DiSEqC 1.0, LNB 13 V/18 V és 22 kHz-es

kapcsolójel, Egykábteles terjesztés EN50494.

 /  AV1

21 érintkezős SCART csatlakozó (CENELEC szabvány), ezen belül audio-, videobemenet, RGB bemenet, valamint tv audio-, videokimenet.

 /  COMPONENT IN

YPBPR (Komponens videó): 1080p (50, 60 Hz),
1080i (50, 60 Hz), 720p (50, 60 Hz), 576p, 576i,
480p, 480i

Audiobemenet (RCA aljzatok)

 AV2

Videobemenet (közös RCA érintkező Y bemenettel)

HDMI IN 1, 2, 3, 4 (kivéve a KDL-50/42/32W70xB modellt)

Videó (2D): 1080p (30, 50, 60 Hz), 1080/24p, 1080i (50, 60 Hz), 720p (30, 50, 60 Hz), 720/24p, 576p, 576i, 480p, 480i, PC formátumok

Videó (3D):

Képkocka-csomagolás: 1080p (30 Hz), 1080/24p, 1080i (50, 60 Hz), 720p (30, 50, 60 Hz), 720/24p
Egymás mellett: 1080p (50, 60 Hz), 1080/24p, 1080i (50, 60 Hz), 720p (50, 60 Hz)
Egymás fölött: 1080p (30, 50, 60 Hz), 1080/24p, 1080i (50, 60 Hz), 720p (50, 60 Hz)

Hang: 5.1 csatornás lineáris PCM: 32, 44,1 és

48 kHz, 16, 20 és 24 bit, Dolby Digital

ARC (Audio Return Channel) (csak HDMI IN 2)

HDMI IN 1, 2, 3, 4 (csak KDL-50/42/32W70xB)

Videó: 1080p (30, 50, 60 Hz), 1080/24p, 1080i (50, 60 Hz), 720p (30, 50, 60 Hz), 720/24p, 576p, 576i, 480p, 480i, PC formátumok

Hang: 5.1 csatornás lineáris PCM: 32, 44,1 és

48 kHz, 16, 20 és 24 bit, Dolby Digital

ARC (Audio Return Channel) (csak HDMI IN 2)

MHL (a HDMI IN 1 bemenettel közös)

(kivéve a KDL-50/42/32W70xB modellt)

Videó (2D): 1080p (30 Hz), 1080/24p, 1080i (50, 60 Hz), 720p (30, 50, 60 Hz), 720/24p, 576p, 576i, 480p, 480i

Videó (3D):

Egymás mellett: 1080/24p, 1080i (50, 60 Hz), 720p (50, 60 Hz)

Egymás fölött: 1080p (30 Hz), 1080/24p, 1080i (50, 60 Hz), 720p (50, 60 Hz)

Hang: 5.1 csatornás lineáris PCM: 32, 44,1 és

48 kHz, 16, 20 és 24 bit, Dolby Digital

MHL (a HDMI IN 1 bemenettel közös)

(csak KDL-50/42/32W70xB)

Videó: 1080p (30 Hz), 1080/24p, 1080i (50, 60 Hz), 720p (30, 50, 60 Hz), 720/24p, 576p, 576i, 480p, 480i

Hang: 5.1 csatornás lineáris PCM: 32, 44,1 és

48 kHz, 16, 20 és 24 bit, Dolby Digital

 DIGITAL AUDIO OUT (OPTICAL)

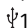
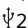
Digitális optikai csatlakozó (kétcsatornás lineáris PCM, Dolby Digital)

 AUDIO OUT

Audiokimenet (sztereó minijack)

Fejhallgató-csatlakozó

(támogatási mélynyomó kimenet)

 1 (HDD REC),  2

USB HDD-eszköz csatlakozója (csak  1),

USB csatlakozó



Feltételes hozzáférési modul (CAM) nyílása

 DC IN 1.5 V

Adapter bemenet

 LAN

10BASE-T/100BASE-TX csatlakozó (A hálózati környezettől függően a csatlakozási sebesség különbözhet. A 10BASE-T/100BASE-TX kommunikáció sebessége és minősége nem garantált e tv-készülék esetén.)

Egyebek

Külön megvásárolható tartozékok

Touchpad távoli vezérlés: RMF-ED004

Kamera és mikrofon: CMU-BR200/

CMU-BR100

Vezeték nélküli Subwoofer: SWF-BR100

MHL kábel: DLC-MB10/DLC-MB20/DLC-MC10/

DLC-MC20

Aktív 3D szemüveg: TDG-BT500A (csak

KDL-50W82xB, KDL-50W81xB, KDL-50W80xB)



Passzív 3D szemüveg: TDG-500P (csak

KDL-42W82xB, KDL-42W81xB, KDL-42W80xB)



Üzemi hőmérséklet

0 °C és 40 °C között

Működési páratartalom

10 % – 80 % RH relatív páratartalom között

(kicsapódás nélkül)

Tápellátás és egyebek

Tápellátás

19,5 V egyenáram AC adapterrel

Besorolás: Bemenet: 220 V – 240 V AC, 50 Hz

Energiahatékonysági osztály

KDL-50W82xB, KDL-50W81xB, KDL-50W80xB,

KDL-50W70xB: A++

KDL-42W82xB, KDL-42W81xB, KDL-42W80xB,

KDL-42W70xB: A+

KDL-32W70xB: A

Képernyőméret (átlósan mérve) (Kb.)

KDL-50W82xB, KDL-50W81xB, KDL-50W80xB,

KDL-50W70xB: 50 hüvelyk / 125,7 cm

KDL-42W82xB, KDL-42W81xB, KDL-42W80xB,

KDL-42W70xB: 42 hüvelyk / 106,7 cm

KDL-32W70xB: 32 hüvelyk / 80,1 cm

Teljesítményfelvétel

[Normál] üzemmódban

KDL-50W82xB, KDL-50W81xB, KDL-50W80xB,
KDL-50W70xB: 51 W
KDL-42W82xB, KDL-42W81xB, KDL-42W80xB,
KDL-42W70xB: 50 W
KDL-32W70xB: 39 W

[Élénk] üzemmódban

KDL-50W82xB, KDL-50W81xB, KDL-50W80xB,
KDL-50W70xB: 100 W
KDL-42W82xB, KDL-42W81xB, KDL-42W80xB,
KDL-42W70xB: 99 W
KDL-32W70xB: 80 W

Átlagos éves energiafogyasztás*1

KDL-50W82xB, KDL-50W81xB, KDL-50W80xB,
KDL-50W70xB: 71 kWh
KDL-42W82xB, KDL-42W81xB, KDL-42W80xB,
KDL-42W70xB: 69 kWh
KDL-32W70xB: 54 kWh

Készenléti üzemmódban*2

0,5 W (10 W szoftver-/EPG-frissítési
üzemmódban)

Kijelző felbontása

1 920 képpont (vízszintes) × 1 080 sor (függőleges)

Méretek (Kb.) (szé × ma × mé)

asztali állvánnyal

KDL-50W82xB, KDL-50W81xB, KDL-50W80xB,
KDL-50W70xB: 111,6 × 69,3 × 17,9 cm
KDL-42W82xB, KDL-42W81xB, KDL-42W80xB,
KDL-42W70xB: 95,8 × 60,0 × 17,0 cm
KDL-32W70xB: 72,9 × 46,5 × 14,1 cm

asztali állvány nélkül

KDL-50W82xB, KDL-50W81xB, KDL-50W80xB,
KDL-50W70xB: 111,6 × 65,6 × 6,4 cm
KDL-42W82xB, KDL-42W81xB, KDL-42W80xB,
KDL-42W70xB: 95,8 × 56,3 × 6,4 cm
KDL-32W70xB: 72,9 × 43,3 × 6,4 cm

Tömeg (Kb.)

asztali állvánnyal

KDL-50W82xB, KDL-50W81xB, KDL-50W80xB,
KDL-50W70xB: 14,8 kg
KDL-42W82xB, KDL-42W81xB, KDL-42W80xB,
KDL-42W70xB: 11,7 kg
KDL-32W70xB: 7,9 kg

asztali állvány nélkül

KDL-50W82xB, KDL-50W81xB, KDL-50W80xB,
KDL-50W70xB: 13,6 kg
KDL-42W82xB, KDL-42W81xB, KDL-42W80xB,
KDL-42W70xB: 10,5 kg
KDL-32W70xB: 6,9 kg

*1 Éves energiafogyasztás, amely adat olyan televíziókészülék teljesítményfelvételén alapul, amelyet 365 napon keresztül napjában 4 órát üzemeltetnek. A tényleges energiafogyasztás a televízió használati módjától függ.

*2 A megadott készenléti üzemmódi teljesítményfelvételt akkor éri el a tv-készülék, miután befejezte a szükséges belső folyamatokat.

Megjegyzés

- A modellnévben szereplő „x” a formára, a színváltozatra vagy a televízió-rendszerre vonatkozó számjegyek felel meg.
- A vakártyát csak akkor vegye ki a TV CAM (Feltételes hozzáférési modul) kártyanyílásából, ha intelligens kártyát helyez be a CAM-kártyanyílásba.
- A külön megvásárolható tartozékok elérhetősége az országtól/régiótól/tv-típus/árúkesztlettől függ.
- A forma és a műszaki adatok előzetes bejelentés nélkül megváltozhatnak.
- Ez a tv-készülék MHL 2 rendszert tartalmaz.

Megjegyzések a digitális tv-funkcióról

- Minden digitális tv-adással (DVB) kapcsolatos funkció, csak azokban az országokban és régiókban működik, ahol DVB-T/DVB-T2 (MPEG-2 és H.264/MPEG-4 AVC) digitális jeleket továbbítanak földi műsorszórással, illetve ahol hozzáféréssel rendelkezik egy kompatibilis DVB-C (MPEG-2 és H.264/MPEG-4 AVC) kábeltelevíziós szolgáltatáshoz. Érdeklődjön kereskedőjénél, hogy sugároznak-e DVB-T/DVB-T2 jeleket a lakóhelyén, vagy kérdezze meg a kábeltelevízió szolgáltatóját, hogy az általa szolgáltatott DVB-C jellel tudja-e használni a készülékét.
- A kábeltelevízió-szolgáltató esetleg díjat számolhat fel a szolgáltatásért, vagy megköveteli Öntől, hogy elfogadja szerződéses feltételeit.
- A tv-készülék megfelel a DVB-T/DVB-T2 és DVB-C előírásoknak, azonban a kompatibilitást nem garantáljuk a jövőbeli DVB-T/DVB-T2 digitális földi és DVB-C digitális kábeltelevíziós adásokkal.
- Néhány digitális tv-funkció esetleg nem érhető el bizonyos országban, körzetben, és a DVB-C rendszer egyes kábeltelevízió-szolgáltatók esetén nem működik megfelelően.

Védjegyekkel kapcsolatos információk

- A HDMI és a HDMI High-Definition Multimedia Interface kifejezés, illetve a HDMI embléma a HDMI Licensing LLC védjegye vagy bejegyzett védjegye az Amerikai Egyesült Államokban és más országokban.
- A DLNA® és a DLNA CERTIFIED® a Digital Living Network Alliance védjegye és/vagy szolgáltatási védjegye.
- A gyártás a Dolby Laboratories licencengedélyével történt. A Dolby és dupla D szimbólum a Dolby Laboratories védjegyei.
- A „BRAVIA” és a BRAVIA a Sony Corporation védjegyei.
- A TrackID a Sony Mobile Communications AB védjegye vagy bejegyzett védjegye.
- A Gracenote, a Gracenote eyeQ, a Gracenote VideoID, a Gracenote Video Explore, a Gracenote MusicID, a Gracenote embléma és a „Powered by Gracenote” embléma a Gracenote védjegye vagy bejegyzett védjegye az Egyesült Államokban és/vagy más országokban.
- Opera® Devices SDK from Opera Software ASA. Copyright 1995-2014 Opera Software ASA. All rights reserved.
- A Wi-Fi, a Wi-Fi Direct és a Miracast a Wi-Fi Alliance védjegye vagy bejegyzett védjegye.
- A „Sony Entertainment Network embléma” és a „Sony Entertainment Network” a Sony Corporation védjegye.
- Az MHL, a Mobile High-Definition Link és az MHL embléma az MHL Licensing, LLC. védjegye vagy bejegyzett védjegye.
- DTS-szabadalmakról lásd a <http://patents.dts.com> webhelyet. Készült a DTS Licensing Limited licence alapján. A DTS, a szimbólum, illetve a DTS és a szimbólum együttesen bejegyzett védjegyek, a DTS Digital Surround a DTS, Inc. védjegye. © DTS, Inc. Minden jog fenntartva.
- Designed with UEI Technology™
Under License from Universal Electronics Inc. Portions © UEI 2000 – 2013
- A Bluetooth® jelzés és emblémák a Bluetooth SIG, Inc. tulajdonában vannak, a Sony Corporation ezeket licencmegállapodás keretében használja. A többi védjegy és kereskedelmi megnevezés a megfelelő tulajdonosok tulajdona.
- A DiSEqC™ az EUTELSAT védjegye. Ez a televíziókészülék támogatja a DiSEqC 1.0 szabványt. Ez a televíziókészülék nem motoros antennák vezérlésére lett tervezve.

Cuprins

INFORMAȚIE IMPORTANTĂ	2
Informații privind siguranța	3
Măsuri de precauție	5
Montarea televizorului pe perete	7
Montarea pe perete a dispozitivului de montare pe perete	8
Pregătirea montării televizorului	11
Montarea televizorului pe perete	12
Dezare	14
Probleme și soluții	14
Specificații	15

Introducere

Vă mulțumim că ați ales acest produs Sony.
Înainte de a utiliza televizorul, vă rugăm să citiți cu atenție acest manual, după care să îl păstrați pentru a-l putea consulta ulterior.

Note

- Înainte de a utiliza televizorul, citiți secțiunea „Informații privind siguranța” (pagina 3).
- Instrucțiunile despre „Montarea televizorului pe perete” sunt incluse în acest manual de instrucțiuni al televizorului.
- Imaginile și ilustrațiile utilizate în Ghidul de pornire rapidă și în acest manual au scop doar de referință și pot diferi față de aspectul real al produsului.

Unde se află eticheta de identificare

Etichetele pentru numărul de model al televizorului TV, data fabricației (lună/an) și puterea nominală de alimentare sunt situate în partea din spate a televizorului sau a pachetului. Etichetele cu numărul modelului și numărul serial al adaptorului de rețea sunt situate în partea de jos a acestuia.

ATENȚIE

PENTRU A ÎMPIEDICA
RĂSPÂNDIREA
INCENDIILOR, PĂSTRAȚI
ÎNTOTDEAUNA LUMÂNĂRILE
ȘI ALTE FLĂCĂRI DESCHISE
DEPARTE DE ACEST PRODUS.



INFORMAȚIE IMPORTANTĂ

Producătorul acestui aparat este: Sony Corporation, 1-7-1 Konan Minato-ku Tokyo, 108-0075 Japonia. Întrebări legate de conformitatea aparatului cu legislația Uniunii Europene pot fi adresate: Sony Deutschland GmbH, Hedelfinger Strasse 61, 70327 Stuttgart, Germania. Pentru orice întrebări legate de service sau de garanție, vă rugăm să consultați documentele de garanție ce însoțesc aparatul.

Notă privind semnalele fără fir (wireless)



Prin prezenta, Sony Corporation, declară că această unitate respectă cerințele esențiale și este în conformitate cu prevederile Directivei 1999/5/EC. Pentru detalii, vă rugăm accesați următoarea adresă: <http://www.compliance.sony.de/>

Notificare către clienți: informațiile de mai jos sunt valabile numai pentru echipamentele comercializate în țările unde se aplică directivele UE.

Sistemul TV fără fir poate fi utilizat în următoarele țări:

AT, BE, HR, CY, CZ, DK, EE, FI, FR, DE, GR, HU, IE, IT, LV, LT, LU, MT, NL, PL, PT, SK, SI, ES, SE, GB, IS, LI, NO, CH, BG, RO, TR, AL, BA, MK, MD, RS, ME

Acest echipament poate funcționa în alte țări non-UE.

Informații privind siguranța

ATENȚIE

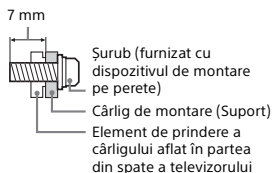
Bateriile nu trebuie expuse la căldură excesivă, precum cea produsă de lumina solară, foc sau surse de căldură similare.

Instalare/Configurare

Instalați și utilizați televizorul conform instrucțiunilor prezentate în continuare, pentru a evita riscurile de incendii, șocurile electrice sau deteriorări/răniri.

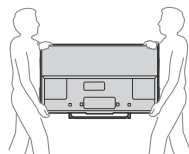
Instalarea

- Televizorul trebuie instalat în apropierea unei prize ușor accesibile.
- Așezați aparatul TV pe o suprafață stabilă, orizontală pentru a evita căderea acestuia, ceea ce ar provoca rănirea dumneavoastră sau deteriorarea aparatului TV.
- Instalarea televizorului pe perete trebuie executată numai de către persoane calificate.
- Din motive de siguranță, se recomandă cu insistență utilizarea accesoriilor Sony, inclusiv:
 - Dispozitiv de montare pe perete
- Utilizați șuruburile furnizate cu dispozitivul de montare pe perete la atașarea cârligelor de montaj (suport) la televizor. Șuruburile furnizate sunt proiectate conform indicațiilor din ilustrație, atunci când se măsoară de la suprafața de fixare a cârligului de montaj (suport). Diametrul și lungimea șuruburilor diferă în funcție de modelul dispozitivului de montare pe perete. Utilizarea altor șuruburi decât a celor furnizate poate avea ca rezultat deteriorarea internă a televizorului sau căderea acestuia etc.



Transportul

- Înainte de a deplasa televizorul, decuplați toate cablurile.
- La transportul unui televizor de mari dimensiuni, este recomandată participarea a două sau trei persoane.
- Când transportați manual aparatul TV, susțineți-l astfel cum este prezentat mai jos. Nu forțați panoul LCD sau cadrul din jurul ecranului.



- Ferțiți televizorul de șocuri mecanice și de vibrații prea puternice în timpul transportului.
- Când duceți aparatul la reparat sau când vă mutați, împachetați-l în ambalajul original.

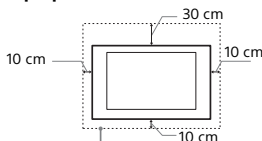
Prevenirea răsturnării

- Înainte de instalarea șurubului de fixare, așezați ecranul cu fața în jos pe o suprafață de lucru stabilă, mai mare decât televizorul.
- Pentru a preveni deteriorarea suprafeței ecranului LCD, așezați un material textil moale pe suprafața de lucru.

Ventilație

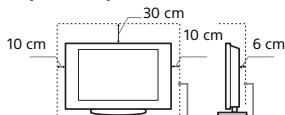
- Nu acoperiți niciodată fantele de aerisire și nu introduceți obiecte în interiorul carcasei aparatului.
- Lăsați suficient spațiu în jurul televizorului, așa cum este indicat în continuare.
- Se recomandă cu insistență să utilizați dispozitivul de montare pe perete furnizat de firma Sony, pentru că acesta asigură o ventilație adecvată.

Instalarea pe perete



Lăsați cel puțin atât spațiu în jurul televizorului.

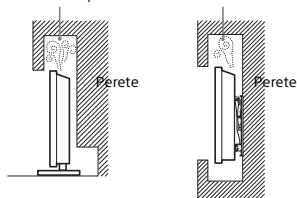
Instalarea pe un suport



Lăsați cel puțin atât spațiu în jurul televizorului.

- Pentru a asigura o ventilație corespunzătoare și a evita adunarea prafului și a murdăriei:
 - Nu așezați televizorul culcat, cu susul în jos, pe spate sau lateral.
 - Nu puneți televizorul pe un raft, pe covor, în pat sau într-un dulap.
 - Nu acoperiți televizorul cu materiale textile, de exemplu cu o draperie, și nici cu alte obiecte, de exemplu ziare etc.
 - Nu instalați televizorul așa cum este arătat mai jos.

Circulația aerului este blocată.



Cablul de alimentare

Pentru a evita riscul de incendii, șocuri electrice sau deteriorări și răniri, manevrați cablul de alimentare și ștecherul respectând următoarele:

- Utilizați exclusiv un cablu de alimentare marca Sony, nu de la alte firme.
- Introduceți complet ștecherul în priză.
- Acest aparat poate funcționa doar la tensiuni de 220 – 240 V, curent alternativ.
- Când conectați alte cabluri, aveți grijă să decuplați cablul de alimentare, pentru siguranța dvs., și aveți grijă să nu vă încurcați picioarele între cabluri.
- Decuplați cablul de alimentare de la priză înainte de a deplasa sau de a deplasa televizorul.
- Țineți cablul de alimentare la distanță de sursele de căldură.
- Decuplați ștecherul cablului de alimentare de la priză și curățați-l cu regularitate. Dacă există praf pe ștecher și acesta se umezește, este posibil ca izolația să fie deteriorată, ceea ce poate duce la declanșarea de incendii.

Note

- Nu utilizați la alte echipamente cablul de alimentare furnizat.
- Nu găuriți, nu îndoiți și nu răsuțiciți excesiv cablul de alimentare. Firele din interior se pot dezizola sau se pot rupe.
- Nu modificați cablul de alimentare.
- Nu așezați obiecte grele pe cablul de alimentare.
- Nu trageți de cablul propriu-zis pentru decuplarea aparatului de la priză.
- Nu conectați prea multe aparate la aceeași priză de rețea.
- Nu utilizați un ștecher care nu se potrivește cu priză.

NOTĂ PRIVIND ADAPTORUL DE REȚEA

Atenție

Pentru a reduce riscul de incendiu sau electrocutare, nu expuneți acest aparat la ploaie sau umezeală.

Pentru a preveni pericolul de incendiu sau de lovituri, nu așezați obiecte pline cu lichide, cum ar fi vase, pe aparat. Nu instalați acest echipament într-un spațiu închis, cum ar fi un raft de cărți sau un obiect similar.

- Asigurați-vă că priză de rețea este instalată în apropierea echipamentului și va fi ușor accesibilă.
- Asigurați-vă că folosiți adaptorul de rețea și cablul de conectare la rețea furnizate.
- Nu utilizați niciun alt adaptor de rețea. Acest lucru poate produce o defecțiune.
- Conectați adaptorul de rețea la o priză de rețea ușor accesibilă.
- Nu înfășurați cablul de conectare la rețea în jurul adaptorului de rețea. Miezul firului se poate tăia și/sau poate produce o defecțiune a receptorului media.



- Nu atingeți adaptorul de rețea cu mâinile ude.
- Dacă observați o anomalie la adaptorul de rețea, deconectați-l imediat de la priză de rețea.
- Aparatul nu este deconectat de la rețea atâta vreme cât este conectat la priză de rețea, chiar dacă aparatul în sine a fost oprit.
- Deoarece adaptorul de rețea se va încălzi când este folosit o perioadă îndelungată, este posibil să simțiți că este fierbinte atunci când îl atingeți cu mâna.

Moduri interzise de utilizare

Nu instalați/nu utilizați televizorul în locații, spații sau situații de genul celor prezentate mai jos, deoarece este posibil ca televizorul să producă incendii, șocuri electrice, deteriorări și/sau leziuni.

Locația:

- În exterior (la lumină solară directă), pe malul mării, pe o navă sau barcă, în interiorul unui vehicul, în instituții medicale, în locuri instabile, în apropierea apei, în locuri supuse la ploaie, umezeală sau furtună.
- În cazul în care televizorul este așezat în vestiarul unei băi publice sau a unor băi termale, televizorul se poate defecta din cauza sulfului din atmosferă, etc.



- Pentru o calitate optimă a imaginii, nu expuneți ecranul la iluminare sau lumină solară directă.
- Evitați mutarea televizorului dintr-o zonă răcoroasă în alta caldă. Modificările bruște de temperatură ambientală pot crea condens. Aceasta poate duce la distorsionarea imaginii televizorului și/sau la culori estompate. Dacă aceasta este situația, înainte de a conecta din nou televizorul la rețeaua de alimentare, permiteți evaporarea completă a umezelii.

Mediul înconjurător:

- Locuri unde este foarte cald sau umez, unde există mult praf; în spații unde există insecte care pot pătrunde în interior; în locații unde poate fi supus la vibrații mecanice, în apropierea unor obiecte cu flăcări deschise (lumânări, etc.). Televizorul nu trebuie expus la picături sau stropire, și nu trebuie așezate deasupra lui recipiente ce conțin lichide, de exemplu vase.
- Nu așezați televizorul într-un spațiu umez sau cu praf ori într-o încăpere cu fum uleios sau aburi (în apropierea meselor de gătit sau a unificatoarelor). Se pot produce incendii, șocuri electrice sau deteriorări.
- Nu instalați televizorul în spații cu temperaturi extreme, cum ar fi locuri expuse la lumină solară directă, în apropierea unui calorifer sau a unei aeroterme. Este posibil ca televizorul să se supraîncălzească într-o astfel de condiție, lucru ce poate duce la deformarea carcasei și/sau la defectarea televizorului.



Situații:

- Nu manevrați televizorul cu mâinile ude, cu carcasa demontată, sau având atașate dispozitive care nu au fost recomandate de producător. Decuplați televizorul de la priză, precum și antena de exterior în timpul furtunilor.
- Nu instalați televizorul astfel încât să fie proeminent într-un spațiu deschis. Se pot înregistra vătămări corporale sau există pericolul să fie lovit cu diverse obiecte.



Piese defecte:

- Nu aruncați obiecte spre televizor. Sticla ecranului se poate sparge la impact, cauzând răni grave.
- Dacă se sparge carcasa televizorului, nu o atingeți înainte de a decupla cablul de alimentare de la priză. În caz contrar, se pot produce șocuri electrice.

Când aparatul nu funcționează

- Dacă nu utilizați televizorul câteva zile, decuplați-l de la rețea din motive ecologice și de siguranță.
- Deoarece televizorul nu este decuplat de la rețea dacă este doar oprit, scoateți ștecherul din priză pentru deconectarea completă.
- Anumite televizoare pot fi dotate cu facilități care solicită ca televizorul să fie lăsat în standby pentru a funcționa corespunzător.

Pentru copii

- Nu lăsați copiii să se cațere pe televizor.
- Nu lăsați accesoriile de mici dimensiuni la îndemâna copiilor, deoarece pot fi înghițite accidental.

În cazul în care apar următoarele probleme...

Oprțiți și decuplați imediat aparatul de la priză dacă survine vreuna dintre problemele prezentate mai jos.

Solicitați dealer-ului dvs. sau unui centru de service Sony ca o persoană calificată să verifice televizorul.

Când:

- Este deteriorat conductorul de rețea.
- Ștecherul nu se potrivește cu priză.
- Televizorul a fost deteriorat prin cădere, lovire sau izbire cu un alt obiect.
- Vreun obiect sau lichid a pătruns în interiorul carcasei.

Despre temperatura monitorului LCD

Când monitorul LCD este utilizat pentru o perioadă extinsă, zonele limitrofe ale panoului se încălzesc. Este posibil ca zonele respective să fie fierbinți la pipăit.

DISPOZITIV DE MONTARE PE PERETE

Informațiile de mai jos arată manevrarea corectă a dispozitivului de montare pe perete. Citiți cu atenție aceste informații și folosiți corect dispozitivul de montare pe perete.

Pentru clienți:

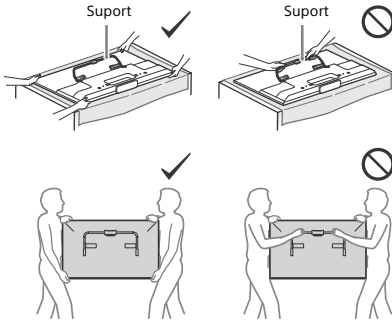
Asigurați-vă că respectați următoarele măsuri de precauție pentru a preveni o rănire gravă prin incendiu, electrocutare, răsturnarea produsului sau căderea acestuia.

- Asigurați-vă că subcontractați instalarea firmelor specializate și că țineți copiii mici la distanță în timpul instalării.
- Asigurați-vă că subcontractați deplasarea și demontarea televizorului firmelor specializate.
- Nu scoateți șuruburile etc. după montarea televizorului.
- Nu faceți modificări la componentele dispozitivului de montare pe perete.
- Nu montați niciun alt echipament în afară de produsul specificat.
- Nu aplicați nicio altă sarcină în afară de televizor pe dispozitivul de montare pe perete.
- Nu vă sprijiniți de și nu vă atârnați de televizor.
- Nu manevrați televizorul cu prea multă forță în timpul curățării sau întreținerii.

Pentru distribuitorii Sony și firmele specializate:

Instrucțiunile următoare sunt destinate numai distribuitorilor Sony și firmelor specializate. Asigurați-vă că citiți măsurile de precauție descrise mai jos și acordați o atenție specială siguranței în timpul instalării, întreținerii și verificării acestui produs.

- Atunci când manipulați sau montați televizorul, țineți-l de părțile laterale. Nu ridicați televizorul folosind suportul.

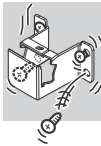


- Nu instalați dispozitivul de montare pe perete pe suprafețe de perete la care colțurile sau părțile laterale ale televizorului ies în afara suprafeței peretelui.



- Nu instalați televizorul deasupra sau dedesubtul unui aparat de aer condiționat.

- Instalați dispozitivul de montare pe perete în condiții de siguranță pe perete, cu respectarea instrucțiunilor din acest manual de instrucțiuni. Dacă oricare dintre șuruburi sunt slăbite sau cad, dispozitivul de montare pe perete poate cădea și poate cauza vătămări corporale sau daune materiale.



- Utilizați în mod corespunzător șuruburile și părțile atașabile furnizate, cu respectarea instrucțiunilor furnizate în acest manual de instrucțiuni. Dacă utilizați elemente înlocuitoare, televizorul poate cădea și poate cauza vătămări corporale sau deteriorarea televizorului.
- Asamblați consola în mod corespunzător, respectând procedura explicată în acest manual de instrucțiuni.
- Asigurați-vă că strângeți bine șuruburile în poziția desemnată.
- Asigurați-vă că nu supuneți televizorul la șocuri în timpul instalării.
- Asigurați-vă că instalați televizorul pe un perete care este deopotrivi perpendicular și plat.
- După instalarea corectă a televizorului, asigurați corect cablurile.
- Nu permiteți perforarea cablului de alimentare la rețea sau cablurilor de conexiune, deoarece se poate ajunge la expunerea conductoarelor interni, ceea ce poate duce la scurtcircuit sau la pană de curent.



Măsurile de precauție

Vizionarea la televizor

- Unele persoane pot avea probleme de disconfort (precum oboseală vizuală, extenuare sau amețeli) în timpul vizionării imaginilor video 3D sau al practicării jocurilor video 3D. Sony recomandă ca toți telespectatorii să ia pauze regulate în timpul urmării imaginilor video 3D sau al practicării jocurilor video 3D. Durata și frecvența pauzelor necesare va varia de la o persoană la alta. Alegerea soluției optime vă aparține. Dacă aveți senzații de disconfort, trebuie să sistați urmărirea imaginilor video 3D sau practica jocurilor video 3D până la dispariția senzațiilor; consultați un medic, dacă considerați necesar. De asemenea, consultați (i) manualul de instrucțiuni al oricărui alt dispozitiv sau suport utilizat cu acest televizor și (ii) site-ul nostru Web (<http://support.sony-europe.com/>) pentru cele mai recente informații. Vederea copiilor mici (mai ales a celor sub șase ani) este încă în dezvoltare. Consultați-vă medicul (un pediatru sau un oftalmolog) înainte de a permite copiilor să urmărească imagini video 3D sau să joace jocuri video 3D. Adulții trebuie să-i supravegheze pe copii, pentru a se asigura că respectă recomandările de mai sus.
- Nu utilizați, nu depozitați și nu lăsați ochelarii 3D sau bateria în apropierea focului sau în locații cu temperaturi ridicate, de exemplu, în lumină solară directă sau în vehicule încălzite la soare.
- La utilizarea funcției 3D simulat, vă rugăm să rețineți faptul că imaginea afișată se modifică față de cea inițială, datorită conversiei efectuate de televizor.
- Asigurați o iluminare moderată a camerei, deoarece nu este recomandată vizionarea televizorului o perioadă îndelungată de timp, în condiții de iluminare scăzută, deoarece vă poate fi afectată vederea.
- Când utilizați căștile, evitați audierea la un nivel ridicat al volumului, deoarece vă poate fi afectat auzul.

Ecranul LCD

- Deși ecranul LCD este produs folosindu-se o tehnologie de înaltă precizie și 99,99% sau mai mult dintre pixelii funcționează, este posibilă existența unor minuscule puncte negre sau a unor luminioase (roșii, albastre sau verzi) care să apară în mod constant pe ecranul LCD. Aceasta este o proprietate structurală a ecranului LCD și nu constituie o disfuncționalitate.
- Nu împingeți și nu zgâriați filtrul frontal, și nu așezați obiecte pe partea de sus a acestui televizor. Imaginea poate deveni neuniformă sau ecranul LCD se poate deteriora.
- Dacă televizorul este utilizat într-un loc cu temperatură scăzută, poate apărea un efect de prelungire neregulată a liniilor orizontale, sau imaginea poate deveni întunecată. Aceasta nu reprezintă o defecțiune. Fenomenul va dispărea pe măsură ce temperatura crește.
- Pot apărea imagini remanente în cazul în care sunt afișate în mod continuu imagini statice. Acestea pot să dispară după câteva momente.
- Ecranul și carcasa se încălzesc când televizorul este în uz. Aceasta nu reprezintă o disfuncționalitate.
- Ecranul LCD conține o cantitate mică de cristale lichide. Respectați instrucțiunile și regulamentele locale în vigoare cu privire la dezafectarea echipamentului.

Manevrarea și curățarea suprafeței ecranului/ carcasei televizorului

Decuplați cablul de alimentare de la priză înainte de a curăța televizorul.

Pentru a evita degradarea materialului sau deteriorarea acoperirii ecranului, respectați următoarele măsuri de precauție.

- Pentru a îndepărta praful de pe ecran și carcasă, ștergeți ușor cu o bucată de pânză moale. Dacă praful este persistent, ștergeți cu o pânză moale, ușor umezită într-o soluție slabă de detergent.
- Nu pulverizați niciodată apă sau detergent direct pe televizor. Poate să picure în partea de jos a ecranului sau pe componentele exterioare și să pătrundă în interiorul aparatului, provocând astfel defectarea acestuia.



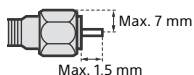
- Nu utilizați niciodată pastă abrazivă, substanțe de curățare alcaline/acide, praf de curățat sau solvenți volatili, cum ar fi alcoolul, benzina, diluantul sau insecticidele. Utilizarea unor astfel de materiale sau contactul prelungit cu materiale din cauciuc sau vinil poate duce la daune ale suprafeței ecranului și materialului carcasei.
- Se recomandă aspirarea periodică a orificiilor de ventilație pentru a asigura ventilația corespunzătoare.
- Când ajustați unghiul de vizionare al televizorului, deplasați lent aparatul, pentru a evita desprinderea sau alunecarea de pe suportul de masă.

Echipamentul opțional

- Păstrați componentele opționale sau oricare alte dispozitive care emit radiații electromagnetice la distanță de televizor. În caz contrar, pot apărea distorsiuni și/sau zgomot.
- Acest echipament a fost testat și s-a confirmat că respectă limitele stabilite prin Directiva EMC pentru utilizarea cablului de conexiune pentru semnal, mai scurt de 3 metri.

Recomandare privind mufa de tip F

Lungimea părții de fir interior ce iese în afara conectorului nu trebuie să depășească 1,5 mm.



(Desen de referință al mufei de tip F)

Măsurile de precauție la manipularea telecomenzii

- Respectați polaritatea corectă când introduceți bateriile.
- Nu utilizați baterii de tip diferit și nu amestecați baterii vechi cu unele noi.
- Dezafectați bateriile în mod ecologic. Este posibil ca, în anumite regiuni, reciclarea bateriilor să fie reglementată prin lege. Vă rugăm consultați autoritățile dvs. locale.
- Manevrați telecomanda cu grijă. Nu o scăpați pe jos, nu călcați pe ea și nici nu vărsați vreun lichid peste aceasta.
- Nu puneți telecomanda într-un loc apropiat de o sursă de căldură, în bătaia directă a razelor soarelui sau într-o încăpere umiditate ridicată.

Funcționarea fără fir a unității

- Nu folosiți această unitate în apropierea unor echipamente medicale (stimulator cardiac etc.), deoarece echipamentele medicale pot prezenta anomalii de funcționare.
- Cu toate că această unitate transmite/recepționează semnale codate, trebuie să fiți atenți la interceptările neautorizate. Nu ne asumăm responsabilitatea pentru eventuale probleme care pot apărea.

DISPOZITIV DE MONTARE PE PERETE

- În funcție de materialul din care este construit peretele, dacă utilizați mult timp televizorul instalat pe dispozitivul de montare pe perete, este posibil ca porțiunea de perete din spatele sau de deasupra televizorului să se decoloreze sau ca tapetul din zona respectivă să se dezlipească.
- În cazul în care suportul de montare pe perete este demontat după instalarea acestuia pe perete, găurile de șurub rămân.
- Nu utilizați dispozitivul de montare pe perete într-o locație unde este supus la vibrații mecanice.

Dezafectarea televizorului



Dezafectarea echipamentelor electrice și electronice vechi (Se aplică pentru țările membre ale Uniunii Europene și pentru alte țări europene cu sisteme de colectare separată)

Acest simbol aplicat pe produs sau pe ambalajul acestuia, indică faptul că acest produs nu trebuie tratat ca pe un deșeu menajer. El trebuie predat punctelor de reciclare a echipamentelor electrice și electronice. Asigurându-vă că acest produs este dezafectat în mod corect, veți ajuta la prevenirea posibilelor consecințe negative asupra mediului și a sănătății umane, dacă produsul ar fi fost dezafectat în mod necorespunzător. Reciclarea materialelor va ajuta la conservarea resurselor naturale. Pentru mai multe detalii legate de reciclarea acestui produs, vă rugăm să contactați primăria din orașul dumneavoastră, serviciul de salubritate local sau magazinul de unde ați cumpărat produsul.



Dezafectarea bateriilor locale (aplicabil în Uniunea Europeană și alte țări europene cu sisteme de colectare separate)

Acest simbol marcat pe baterie sau pe ambalaj indică faptul că bateria acestui produs nu trebuie considerată reziduu menajer. Pe anumite tipuri de baterii, acestui simbol i se pot asocia simbolurile anumitor substanțe chimice. Simbolurile pentru mercur (Hg) sau plumb (Pb) sunt adăugate, dacă bateria conține mai mult de 0,0005% mercur sau 0,004% plumb. Asigurându-vă că aceste baterii sunt eliminate corect, veți ajuta la prevenirea consecințelor negative pentru mediu și pentru sănătatea umană, care, în caz contrar, pot fi provocate de către manipularea și eliminarea greșită a acestor baterii. Reciclarea acestor materiale va ajuta la conservarea resurselor naturale. În cazul produselor care pentru siguranța, performanța sau integritatea datelor necesită o conexiune permanentă cu bateria încorporată, aceasta trebuie înlocuită numai de către personalul specializat din centrele de service. Pentru a vă asigura că bateriile vor fi dezafectate corespunzător, predați produsul la sfârșitul duratei de funcționare la centrele de colectare pentru deșeurile electrice și electronice. Pentru celelalte tipuri de baterii, vă rugăm să consultați secțiunea în care este explicat modul neprimejdios de îndepărtare a bateriei din produs. Predați bateria uzată la un centru de colectare și reciclare a bateriilor. Pentru mai multe detalii referitoare la reciclarea acestui produs sau a bateriei, vă rugăm să contactați primăria, serviciul de preluare a deșeurilor sau magazinul de unde ați achiziționat produsul.

Montarea televizorului pe perete

Pentru clienți

Pentru instalarea acestui produs este necesar un nivel suficient de experiență. Încredințați instalarea distribuitorilor Sony sau contractorilor licențiați și acordați o atenție specială aspectelor de siguranță în timpul instalării. Sony nu este responsabilă pentru daune materiale sau vătămări corporale cauzate prin manipulare eronată sau instalare adecvată, respectiv instalarea oricărui alt produs decât cel specificat. Drepturile dvs. statutare (dacă există) nu sunt afectate.

Pentru dealerii Sony și contractori

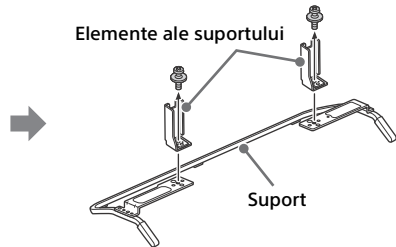
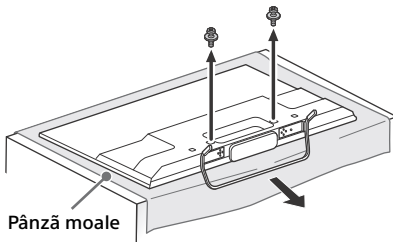
Pentru instalarea acestui produs este necesar un nivel suficient de experiență. Citiți cu atenție acest manual de instrucțiuni pentru a efectua operațiile de instalare în condiții de siguranță. Sony nu este responsabilă pentru daune materiale sau vătămări corporale cauzate prin manipulare eronată sau instalare necorespunzătoare.

Suportul de masă al televizorului dumneavoastră va fi folosit ca parte a Dispozitivului de montare pe perete.

Note

- Consultați pagina 3 (Informații privind siguranța) și pagina 5 (Măsurile de precauție) pentru detalii privind dispozitivul de montare pe perete înainte de a începe montarea Dispozitivului de montare pe perete.
- Dacă suportul de masă este atașat la televizor, detașați suportul de masă înainte de a începe montarea.
- Atunci când fixați suportul sau când detașați Suportul de masă de la televizor, așezați televizorul cu ecranul în jos pe o suprafață plană și stabilă, acoperită cu un material textil gros și moale, mai mare decât televizorul, pentru a evita deteriorarea suprafeței ecranului LCD.
- După ce suprafețele de prindere ale suportului sunt detașate de pe suport, nu uitați să păstrați atât aceste componente, cât și șuruburile, într-un loc sigur.
- Atunci când se atașează la loc Suportul de masă, este obligatoriu să strângeți șuruburile (cele scoase anterior) în orificiile inițiale aflate în partea din spate a televizorului.
- Asigurați-vă că aparatul TV se află în poziție verticală înainte de a-l porni. Aparatul TV nu trebuie pornit cu panoul LCD (Liquid Crystal Display - Afișaj cu cristale lichide) cu fața în jos, pentru a nu dereglă caracterul uniform al imaginii.

Pentru a detașa Suportul de masă de la televizor

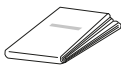


Montarea pe perete a dispozitivului de montare pe perete

1 Pregătiți articolele necesare.

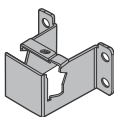
Accesorii pentru Dispozitivul de montare pe perete (furnizat)

A Șablon din hârtie



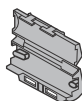
B Bază de montare pe perete

KDL-50W82xB,
KDL-50W81xB,
KDL-50W80xB,
KDL-50W70xB (2)
KDL-42W82xB,
KDL-42W81xB,
KDL-42W80xB,
KDL-42/32W70xB (1)



C Protector de suport

KDL-50W82xB,
KDL-50W81xB,
KDL-50W80xB,
KDL-50W70xB (2)
KDL-42W82xB,
KDL-42W81xB,
KDL-42W80xB,
KDL-42/32W70xB (1)



D Șurub (+PSW 6 x 12) (2)



E Distanțier (2)



F Piesă superioară de fixare a dispozitivului

KDL-50W82xB,
KDL-50W81xB,
KDL-50W80xB,
KDL-50W70xB (2)
KDL-42W82xB,
KDL-42W81xB,
KDL-42W80xB,
KDL-42/32W70xB (1)



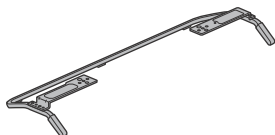
G Șurub (+PSW 4 x 10)

KDL-50W82xB,
KDL-50W81xB,
KDL-50W80xB,
KDL-50W70xB (2)
KDL-42W82xB,
KDL-42W81xB,
KDL-42W80xB,
KDL-42/32W70xB (1)



Suport (furnizat)

H

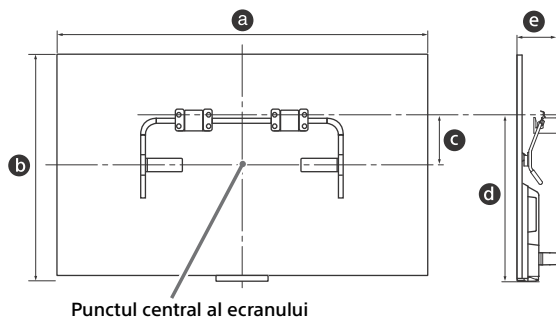


Șuruburi pentru baza de montare pe perete (8 mm diametru, neincluse în pachet)

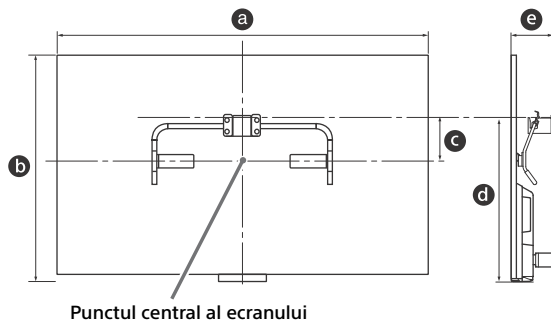
KDL-50W82xB,
KDL-50W81xB,
KDL-50W80xB,
KDL-50W70xB (8)
KDL-42W82xB,
KDL-42W81xB,
KDL-42W80xB,
KDL-42/32W70xB (4)

- 2 Asigurați-vă că peretele dispune de spațiu suficient și că este capabil să susțină o greutate de cel puțin patru ori mai mare decât a televizorului. Consultați următorul tabel cu privire la montarea televizorului pe perete. Consultați pagina 15-18 (Specificații) pentru a afla care este greutatea televizorului.

KDL-50W82xB, KDL-50W81xB, KDL-50W80xB, KDL-50W70xB



KDL-42W82xB, KDL-42W81xB, KDL-42W80xB, KDL-42/32W70xB



Unitate: cm

Numele modelului KDL-	Dimensiunea ecranului		Dimensiunea centrală a ecranului c	Lungime pentru montaj	
	a	b		d	e
50W82xB/ 50W81xB/ 50W80xB/ 50W70xB	111,6	65,6	13,0	46,9	11,8
42W82xB/ 42W81xB/ 42W80xB/ 42W70xB	95,8	56,3	17,5	46,5	11,8
32W70xB	72,9	43,3	18,8	41,3	11,3

Note

- Valorile din tabel pot prezenta ușoare variații, în funcție de instalare.

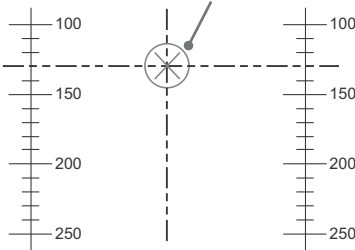
RO

3 Faceți un marcaj pe șablonul de hârtie (A) care să indice centrul ecranului televizorului.

**KDL-50W82xB, KDL-50W81xB,
KDL-50W80xB, KDL-50W70xB**

Scală pe șablonul din hârtie (A)

Marcaj pentru KDL-50W82xB, KDL-50W81xB,
KDL-50W80xB, KDL-50W70xB

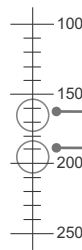


**KDL-42W82xB, KDL-42W81xB,
KDL-42W80xB, KDL-42/32W70xB**

Scală pe șablonul din hârtie (A)

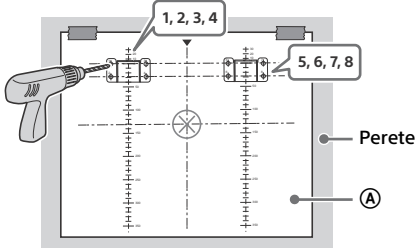
Marcaj pentru KDL-42W82xB,
KDL-42W81xB, KDL-42W80xB,
KDL-42W70xB

Marcaj pentru KDL-32W70xB

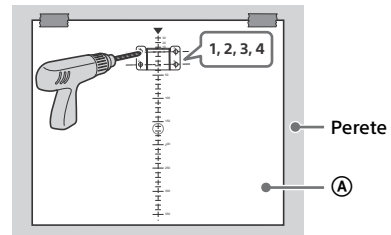


4 Lipiți șablonul de hârtie (A) pe perete și perforați orificii conform numerotării de pe șablonul de hârtie (A), utilizând o mașină de găurit electrică.

**KDL-50W82xB, KDL-50W81xB,
KDL-50W80xB, KDL-50W70xB**



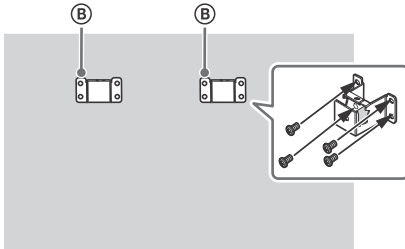
**KDL-42W82xB, KDL-42W81xB,
KDL-42W80xB, KDL-42/32W70xB**



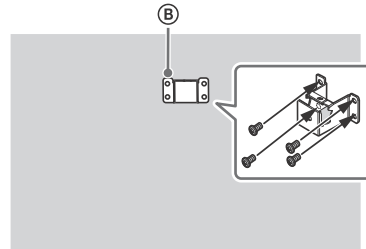
5 Îndepărtați șablonul de hârtie (A) de pe perete.

6 Atașați baza de montare (B) pe perete în mod corect, folosind șuruburile (8 mm diametru, neincluse în pachet).

**KDL-50W82xB, KDL-50W81xB,
KDL-50W80xB, KDL-50W70xB**

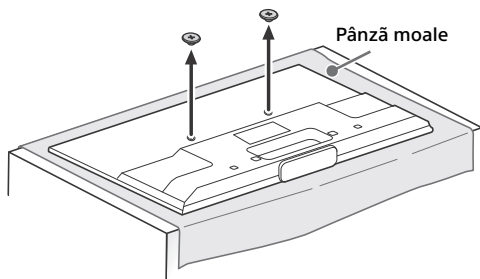


**KDL-42W82xB, KDL-42W81xB,
KDL-42W80xB, KDL-42/32W70xB**



Pregătirea montării televizorului

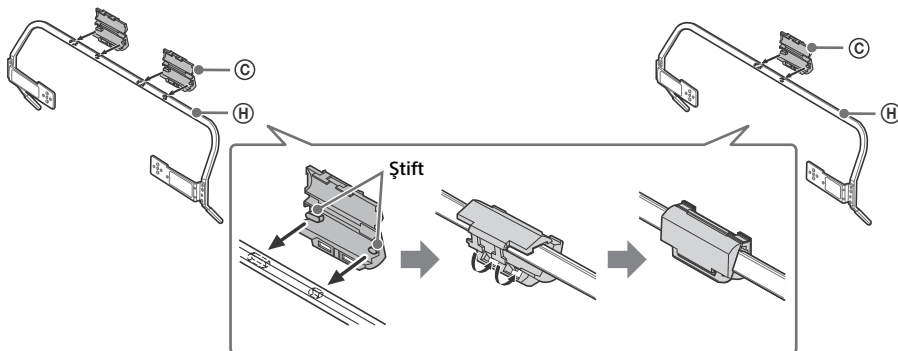
- 1 Scoateți șuruburile din partea din spate a televizorului. Nu uitați să păstrați șuruburile scoase într-un loc sigur, unde copiii nu au acces.



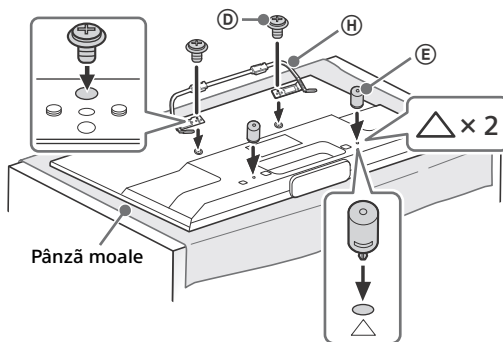
- 2 Introduceți știftul (de pe protectorul de suport ©) în orificiul din suport ④, după care strângeți protectorul de suport ©. Asigurați-vă că sistemul de protecție al suportului © este ferm fixat pe suportul ④.

KDL-50W82xB, KDL-50W81xB,
KDL-50W80xB, KDL-50W70xB

KDL-42W82xB, KDL-42W81xB,
KDL-42W80xB, KDL-42/32W70xB

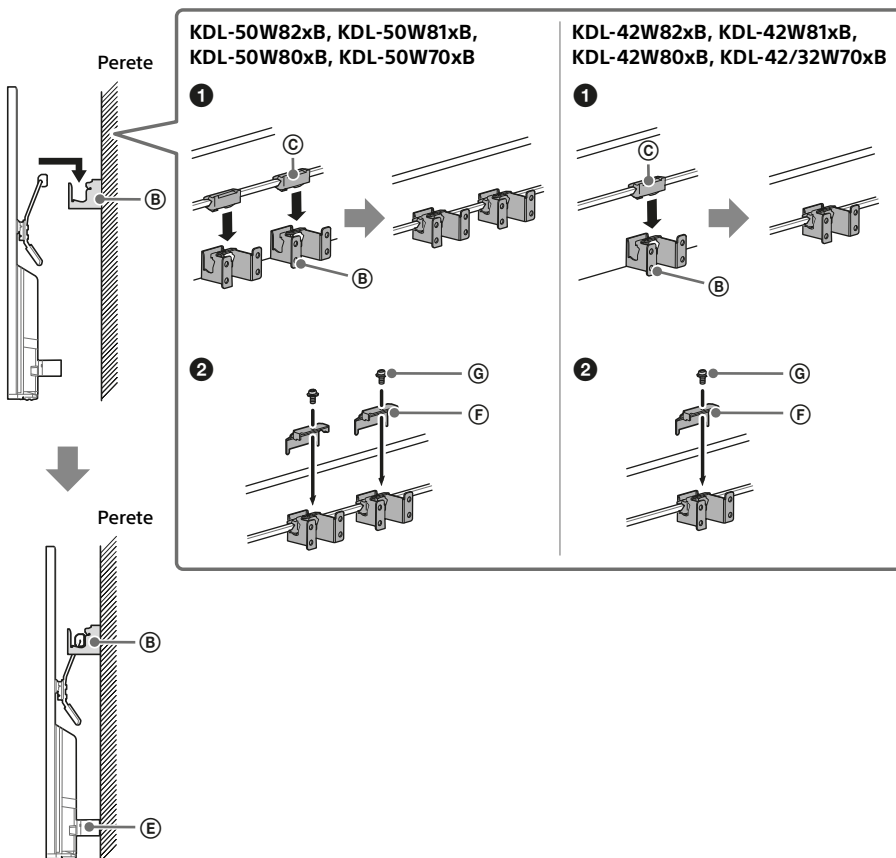


- 3 Atașați suportul ④ la televizor folosind șuruburile furnizate ⑤. Atașați distanțierele ⑥ la orificiile indicate prin marcasele sub formă de triunghi Δ. KDL-50W82xB, KDL-50W81xB, KDL-50W80xB, KDL-50W70xB este utilizat cu scop ilustrativ.



Montarea televizorului pe perete

- 1 Este necesar să conectați și să strângeți cablurile în mănunchi înainte de a monta televizorul pe perete.
- 2 Montați televizorul pe perete. După aceea, asigurați-vă că protectorul de suport © este blocat cu fermitate pe baza de montare pe perete ② și că distanțierele ③ fac contact cu peretele. Atașați placa superioară de fixare a suportului ④ folosind șuruburile furnizate ⑤.



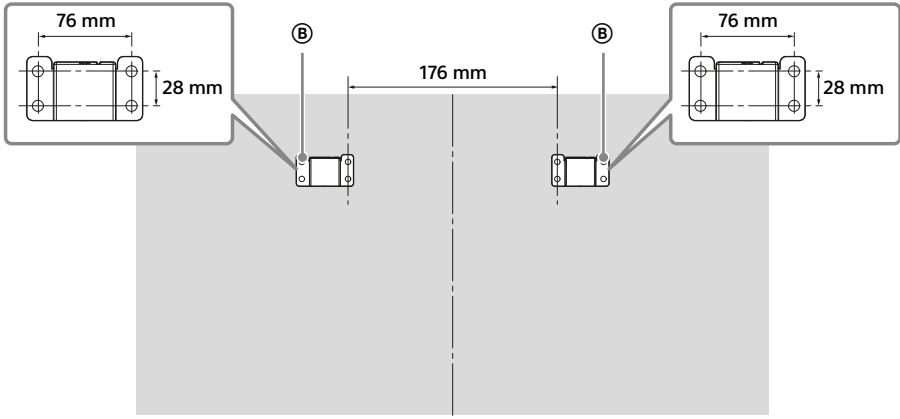
Dimensiunile pozițiilor orificiilor pe perete

Furnizați următoarele informații contractanților autorizați, după necesități.

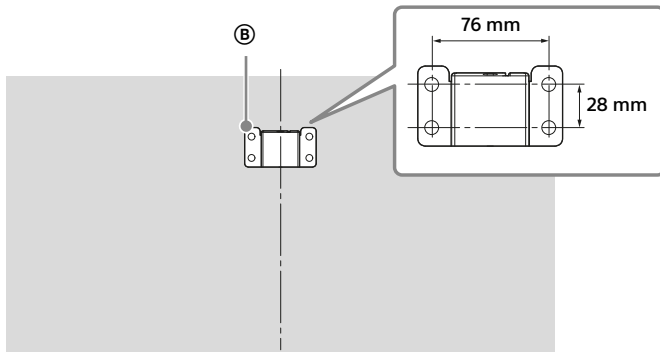
Folosiți șuruburile (8 mm în diametru, neincluse în pachet) pentru a monta pe perete baza de montare pe perete ②.

Nu uitați să folosiți șablonul din hârtie ① furnizat, deoarece acesta indică poziția efectivă a bazei de montare pe perete, ceea ce simplifică montarea.

KDL-50W82xB, KDL-50W81xB, KDL-50W80xB, KDL-50W70xB



KDL-42W82xB, KDL-42W81xB, KDL-42W80xB, KDL-42/32W70xB



RO



Pentru instrucțiuni privind instalarea dispozitivului de montare pe perete al modelului dumneavoastră de televizor, consultați următorul site:
www.sony.eu/tv/wall-mount-bracket-manual

Depanare

Când LED-ul de iluminare se aprinde intermitent în roșu, numărați de câte ori se aprinde (intervalul dintre două aprinderi este de trei secunde).

Dacă LED de iluminare luminează intermitent în roșu, resetați aparatul TV prin deconectarea cablului de conectare la rețea de la aparatul TV pentru două minute, apoi porniți aparatul TV. Dacă problema persistă, contactați distribuitorul dvs. sau centrul de service Sony și indicați-i numărul de clipiri intermitente ale LED de iluminare în culoarea roșie (intervalul de timp este de trei secunde). Apăsăți butonul I/⏻ de la aparatul TV pentru a-l opri, deconectați cablul de conectare la rețea și informați-vă distribuitorul sau centrul de service Sony.

Când LED-ul de iluminare nu luminează intermitent, verificați elementele din tabelele care urmează.

De asemenea, puteți consulta [Depanarea] din i-Manual sau efectuați diagnosticarea automată selectând ? [Ajutor] → [Asistență pentru clienți] → [Autodiagnosticare]. Dacă problema persistă, solicitați repararea televizorului de către personalul de service calificat.

Probleme și soluții

Nu apare nicio imagine (ecranul este negru) și nu se aude sonorul.

- Verificați conectarea antenei (externă)/cablului.
- Conectați televizorul la priză de c.a. (rețeaua de curent) și apăsați pe butonul I/⏻ de la televizor sau de la telecomandă.

Nu se poate realiza acordul pe anumite posturi.

- Verificați antena externă sau antena parabolică.
- Cablul prin satelit poate fi scurtcircuitat sau pot exista probleme de conexiune ale cablului. Verificați conexiunea prin cablu și opriți televizorul de la comutatorul Pornit/Oprit al rețelei de curent electric, apoi reporniți-l.
- Frecvența introdusă nu se încadrează în interval. Consultați compania de difuzare a semnalelor prin satelit recepționate.

Nu s-au găsit servicii de televiziune prin cablu (programe).

- Verificați conexiunea prin cablu sau configurația de acord.
- Încercați [Programare automată digitală] selectând [Antenna] în loc de [Cablul].

Telecomanda nu funcționează.

- Înlocuiți bateriile.
- Este posibil ca televizorul să se afle în modul SYNC. Apăsăți **SYNC MENU**, selectați [Comandă TV], apoi [Home (Meniu principal)] sau [Opțiuni] pentru a acționa televizorul.

Parola pentru [Blocare de către părinți] a fost uitată.

- Pentru codul PIN, introduceți 9999. (Codul PIN 9999 este acceptat întotdeauna.)

Zonele din jurul televizorului se încălzesc.

- Când televizorul este utilizat pentru o perioadă îndelungată, zonele din jurul televizorului se încălzesc. Puteți să simțiți căldura dacă atingeți cu mâna aceste zone.

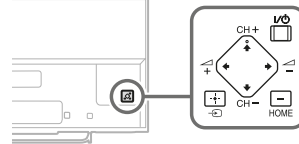
Sunet sau imagine blocată, ecranul este gol sau televizorul nu răspunde la apăsarea pe butoanele proprii sau ale telecomenzii.

- Efectuați o resetare simplă a televizorului prin deconectarea cablului de alimentare de rețea pentru două minute, apoi conectați-l din nou.

Este posibil ca butoanele I/⏻, CH+/-, ▲ +/-, ⏪/⏩/⏴/⏵, ⏻, [] și HOME să nu fie localizate pe televizor.

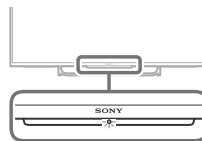
- Consultați ilustrația de mai jos pentru a vedea locația butoanelor de pe televizor.

Partea din spate a televizorului



LED-ul de iluminare este aprins.

- Dacă nu doriți ca LED-ul de iluminare să fie aprins, îl puteți stinge. Apăsăți pe **HOME**, apoi selectați [Setări] → [Setări sistem] → [Configurare generală] → [LED de iluminare] → [Oprit]. De asemenea, puteți apăsa pe **OPTIONS**, apoi puteți selecta [LED de iluminare] → [Oprit].



Nu se poate realiza conectarea la un router wireless prin WPS.

- Dacă utilizați securitate WEP, selectați [Simplu] → [Wi-Fi] → [Conectare din lista de scanare]. Apoi, selectați numele rețelei (SSID) la care doriți să vă conectați.

Nu s-a putut găsi numele rețelei dorite în configurația de rețea.

- Selectați [[Introducere manuală]] și apăsați pe ⊕ pentru a introduce un nume de rețea.

Specificații

Sistem

Tip de panou

Panou LCD (Liquid Crystal Display - Afișaj cu cristale lichide), Iluminare de fundal cu LED

Sistem TV

Analogic: în funcție de țara/regiunea aleasă:

B/G, D/K, L, I, M

Digital: DVB-T/DVB-C

DVB-T2

Satelit: DVB-S/DVB-S2

Sistem color/video

Analogic: PAL, SECAM, NTSC3.58, NTSC4.43

Digital: Consultați documentul i-Manual.

Acoperire canale

Analogic: UHF/VHF/Cablu, în funcție de țara/regiunea aleasă.

Digital: UHF/VHF/Cablu, în funcție de țara/regiunea aleasă.

Satelit: Frecvență IF 950 - 2150 MHz

Ieșire audio

8 W + 8 W (cu excepția modelului KDL-32W70xB)

5 W + 5 W (numai pentru KDL-32W70xB)

Tehnologie wireless

Protocol IEEE802.11a/b/g/n

Mufe intrare/ieșire

Cablu antenă (exterioară)

Bornă externă 75 ohm pentru VHF/UHF

Antenă de satelit

Conector mamă de tip F IEC169-24, 75 ohm.

DiSEqC 1.0, LNB 13 V/18 V & ton 22 kHz, Distribuție cablu unic EN50494.

/ AV1

Conector scart cu 21 de pini (standard CENELEC) inclusiv intrare audio/video, intrare RGB și ieșire audio/video TV.

/ COMPONENT IN

YPbPr (video pe componente): 1080p (50, 60 Hz), 1080i (50, 60 Hz), 720p (50, 60 Hz), 576p, 576i, 480p, 480i

Intrare audio (mufe fono)

AV2

Intrare video (pin fono comun cu intrarea Y)

HDMI IN 1, 2, 3, 4 (cu excepția modelului

KDL-50/42/32W70xB)

Video (2D): 1080p (30, 50, 60 Hz), 1080/24p, 1080i (50, 60 Hz), 720p (30, 50, 60 Hz), 720/24p, 576p, 576i, 480p, 480i, Formate PC

Video (3D):

Împachetare cadre: 1080p (30 Hz), 1080/24p, 1080i (50, 60 Hz), 720p (30, 50, 60 Hz), 720/24p
Alăturate: 1080p (50, 60 Hz), 1080/24p, 1080i (50, 60 Hz), 720p (50, 60 Hz)
Suprapuse: 1080p (30, 50, 60 Hz), 1080/24p, 1080i (50, 60 Hz), 720p (50, 60 Hz)

Audio: PCM liniar 5.1 canale: 32, 44,1 și 48 kHz, 16, 20 și 24 biți, Dolby Digital

ARC (Audio Return Channel) (numai pentru HDMI IN 2)

HDMI IN 1, 2, 3, 4 (numai pentru

KDL-50/42/32W70xB)

Video: 1080p (30, 50, 60 Hz), 1080/24p, 1080i (50, 60 Hz), 720p (30, 50, 60 Hz), 720/24p, 576p, 576i, 480p, 480i, Formate PC
Audio: PCM liniar 5.1 canale: 32, 44,1 și 48 kHz, 16, 20 și 24 biți, Dolby Digital

ARC (Audio Return Channel) (numai pentru HDMI IN 2)

MHL (comun cu HDMI IN 1)

(cu excepția modelului KDL-50/42/32W70xB)

Video (2D): 1080p (30 Hz), 1080/24p, 1080i (50, 60 Hz), 720p (30, 50, 60 Hz), 720/24p, 576p, 576i, 480p, 480i

Video (3D):

Alăturate: 1080/24p, 1080i (50, 60 Hz), 720p (50, 60 Hz)
Suprapuse: 1080p (30 Hz), 1080/24p, 1080i (50, 60 Hz), 720p (50, 60 Hz)


Audio: PCM liniar 5.1 canale: 32, 44,1 și 48 kHz, 16, 20 și 24 biți, Dolby Digital

MHL (comun cu HDMI IN 1)



(numai pentru KDL-50/42/32W70xB)

Video: 1080p (30 Hz), 1080/24p, 1080i (50, 60 Hz), 720p (30, 50, 60 Hz), 720/24p, 576p, 576i, 480p, 480i

Audio: PCM liniar 5.1 canale: 32, 44,1 și 48 kHz, 16, 20 și 24 biți, Dolby Digital

 DIGITAL AUDIO OUT (OPTICAL)

Mufă optică digitală (PCM liniar pe două canale, Dolby Digital)

 AUDIO OUT 

Leșire audio (mini mufă stereo)

Mufă căști

(suport subwoofer exterior)

 1 (HDD REC),  2

Port dispozitiv HDD USB (numai pentru ) 1), port USB



Slot CAM (modul de acces condiționat)

  DC IN 19.5 V

Intrare adaptor

 LAN

Conector 10BASE-T/100BASE-TX (în funcție de mediul de funcționare a rețelei, viteza conexiunii poate varia. Viteza de comunicare și calitatea conexiunii 10BASE-T/100BASE-TX nu sunt garantate pentru acest televizor.)

Altele

Accesorii opționale

Telecomandă cu touchpad: RMF-ED004

Cameră web cu microfon încorporat:

CMU-BR200/CMU-BR100

Subwoofer wireless: SWF-BR100

Cablu MHL: DLC-MB10/DLC-MB20/DLC-MC10/DLC-MC20

Ochelari 3D activi: TDG-BT500A (numai pentru KDL-50W82xB, KDL-50W81xB, KDL-50W80xB)



Ochelari 3D pasivi: TDG-500P (numai pentru KDL-42W82xB, KDL-42W81xB, KDL-42W80xB)



Temperatură de utilizare

0 °C - 40 °C

Umiditate de funcționare

UR 10% - 80% (fără condens)

Alimentare și altele

Cerințe de alimentare

Curent continuu 19,5 V cu adaptor de c.a.

Valoare nominală: Intrare 220 V - 240 V c.a., 50 Hz

Clasa de eficacitate energetică

KDL-50W82xB, KDL-50W81xB, KDL-50W80xB,

KDL-50W70xB: A++

KDL-42W82xB, KDL-42W81xB, KDL-42W80xB,

KDL-42W70xB: A+

KDL-32W70xB: A

Dimensiunea ecranului (măsurată pe diagonală) (cca.)

KDL-50W82xB, KDL-50W81xB, KDL-50W80xB,

KDL-50W70xB: 50 țoli / 125,7 cm

KDL-42W82xB, KDL-42W81xB, KDL-42W80xB,

KDL-42W70xB: 42 țoli / 106,7 cm

KDL-32W70xB: 32 țoli / 80,1 cm

Consum de putere

în modul [Standard]

KDL-50W82xB, KDL-50W81xB, KDL-50W80xB,
KDL-50W70xB: 51 W
KDL-42W82xB, KDL-42W81xB, KDL-42W80xB,
KDL-42W70xB: 50 W
KDL-32W70xB: 39 W

în modul [Strălucitor]

KDL-50W82xB, KDL-50W81xB, KDL-50W80xB,
KDL-50W70xB: 100 W
KDL-42W82xB, KDL-42W81xB, KDL-42W80xB,
KDL-42W70xB: 99 W
KDL-32W70xB: 80 W

Consum mediu anual de energie*1

KDL-50W82xB, KDL-50W81xB, KDL-50W80xB,
KDL-50W70xB: 71 kWh
KDL-42W82xB, KDL-42W81xB, KDL-42W80xB,
KDL-42W70xB: 69 kWh
KDL-32W70xB: 54 kWh

Consum de energie în modul standby*2

0,5 W (10 W în modul software/actualizare
program)

Rezoluție ecran

1.920 puncte (orizontal) × 1.080 linii (vertical)

Dimensiuni (cca.) (l × î × a)

cu suport de masă

KDL-50W82xB, KDL-50W81xB, KDL-50W80xB,
KDL-50W70xB: 111,6 × 69,3 × 17,9 cm
KDL-42W82xB, KDL-42W81xB, KDL-42W80xB,
KDL-42W70xB: 95,8 × 60,0 × 17,0 cm
KDL-32W70xB: 72,9 × 46,5 × 14,1 cm

fără suport de masă

KDL-50W82xB, KDL-50W81xB, KDL-50W80xB,
KDL-50W70xB: 111,6 × 65,6 × 6,4 cm
KDL-42W82xB, KDL-42W81xB, KDL-42W80xB,
KDL-42W70xB: 95,8 × 56,3 × 6,4 cm
KDL-32W70xB: 72,9 × 43,3 × 6,4 cm

Masa (Cca.)

cu suport de masă

KDL-50W82xB, KDL-50W81xB, KDL-50W80xB,
KDL-50W70xB: 14,8 kg
KDL-42W82xB, KDL-42W81xB, KDL-42W80xB,
KDL-42W70xB: 11,7 kg
KDL-32W70xB: 7,9 kg

fără suport de masă

KDL-50W82xB, KDL-50W81xB, KDL-50W80xB,
KDL-50W70xB: 13,6 kg
KDL-42W82xB, KDL-42W81xB, KDL-42W80xB,
KDL-42W70xB: 10,5 kg
KDL-32W70xB: 6,9 kg

- *1 Consum de energie pe an, în baza consumului de energie al televizorului, când este în funcțiune 4 ore pe zi pe o perioadă de 365 de zile. Consumul real de energie va depinde de modul în care este utilizat televizorul.
- *2 Puterea specificată în modul standby este atinsă după ce televizorul încheie procesele interne necesare.

Note

- Simbolul „x” care apare în numele modelului corespunde unei cifre aferente designului, variantei de culoare sau sistemului de televiziune.
- Nu scoateți cardul machetă din slotul TV CAM (modul de acces condiționat) decât pentru a introduce un card inteligent în acest slot.
- Accesoriile opționale sunt disponibile în funcție de țări/regiune/modelul televizorului/stoc.
- Designul și specificațiile se pot modifica fără notificare prealabilă.
- Acest televizor încorporează MHL 2.

Note privind televiziunea digitală

- Orice funcții legate de televiziunea digitală (DVB) vor fi active numai în țările sau zonele în care sunt difuzate semnale digitale terestre DVB-T/DVB-T2 (MPEG-2 și H.264/MPEG-4 AVC) sau unde aveți acces la servicii de cablu compatibile DVB-C (MPEG-2 și H.264/MPEG-4 AVC). Vă rugăm să verificați la dealer-ul local dacă puteți recepționa semnal DVB-T/DVB-T2 în zona unde locuiți sau să întrebați furnizorul dvs. de servicii prin cablu dacă acest televizor este potrivit pentru serviciul lor de cablu DVB-C.
- Furnizorul de servicii prin cablu poate solicita taxe suplimentare pentru astfel de servicii și este posibil să vi se solicite aderarea la termenii și condițiile de lucru ale respectivilor furnizori.
- Deși acest televizor respectă specificațiile DVB-T/DVB-T2 și DVB-C, nu poate fi garantată compatibilitatea cu programele digitale terestre DVB-T/DVB-T2 și DVB-C prin cablu care vor fi difuzate în viitor.
- Unele funcții ale televiziunii digitale este posibil să nu fie disponibile în anumite țări/regiuni, iar serviciile de cablu DVB-C este posibil să nu fie puse la dispoziție de anumiți furnizori.

Informații legate de mărci

- Termenii HDMI și HDMI High-Definition Multimedia Interface și sigla HDMI sunt mărci comerciale sau mărci comerciale înregistrate ale HDMI Licensing LLC în Statele Unite și în alte țări.
- DLNA®, logo-ul DLNA și DLNA CERTIFIED® sunt mărci comerciale, mărci de service sau mărci de certificare ale Digital Living Network Alliance.
- Fabricat sub licență de la Dolby Laboratories. Simbolurile Dolby și double-D sunt mărci comerciale ale Dolby Laboratories.
- „BRAVIA” și BRAVIA sunt mărci de comerț înregistrate ale Sony Corporation.
- TrackID este o marcă comercială sau o marcă comercială înregistrată a Sony Mobile Communications AB.
- Gracenote, Gracenote eyeQ, Gracenote VideoID, Gracenote Video Explore, Gracenote MusicID, sigla și logotipul Gracenote și sigla „Powered by Gracenote” sunt mărci comerciale înregistrate sau mărci comerciale ale Gracenote în Statele Unite și/sau alte țări.
- Opera® Devices SDK from Opera Software ASA. Copyright 1995-2014 Opera Software ASA. All rights reserved.
- Wi-Fi, Wi-Fi Direct și Miracast sunt mărci comerciale sau mărci comerciale înregistrate ale Wi-Fi Alliance.
- Sigla „Sony Entertainment Network logo” și „Sony Entertainment Network” sunt mărci comerciale ale Sony Corporation.
- MHL, Mobile High-Definition Link și sigla MHL reprezintă mărci comerciale sau mărci comerciale înregistrate ale MHL Licensing, LLC.
- Pentru informații despre brevetele DTS, vizitați <http://patents.dts.com>. Fabricat sub licență primită de la DTS Licensing Limited. DTS, simbolul, & DTS și simbolul împreună sunt mărci comerciale înregistrate, iar DTS Digital Surround este marcă comercială a DTS, Inc. © DTS, Inc. Toate drepturile rezervate.
- Designed with UEI Technology™ Under License from Universal Electronics Inc. Portions © UEI 2000 – 2013
- Marcajele cu cuvântul Bluetooth® și siglele aferente sunt deținute de Bluetooth SIG, Inc. și orice utilizare a acestor marcaje de către Sony Corporation se face sub licență. Alte mărci comerciale și nume comerciale sunt proprietatea respectivilor deținători.
- DiSEqC™ este marcă de comerț a EUTELSAT. Acest televizor acceptă DiSEqC 1.0. Acest televizor nu este proiectat pentru controlul antenelor motorizate.

Съдържание

ВАЖНА ЗАБЕЛЕЖКА	2
Информация за безопасност	3
Предпазни мерки	5
Монтиране на телевизора на стената	7
Монтаж на конзолите на стената	8
Подготовка за монтаж на телевизора ..	11
Монтаж на телевизора на стената	12
Отстраняване на неизправности	14
Проблеми и решения	14
Спецификации	15

Въведение

Благодарим ви за покупката на този продукт на Sony. Преди да започнете работа с телевизора, прочетете ръководството изцяло и го запазете за бъдещи справки.

Забележка

- Преди да работите с телевизора, прочетете “Информация за безопасност” (страница 3).
- Инструкции за “Монтиране на телевизора на стената” са включени в ръководството на този телевизор.
- Изображенията и илюстрациите, използвани в краткото ръководство и в това ръководство, са само за справка и може да се различават от действителния изглед на продукта.

Място на идентификационния етикет

Табелките за номера на модела на телевизора, датата на производство (месец/година) и номиналните стойности на захранването са разположени на задната част на телевизора или на опаковката.

Етикетите за номер на модела и сериен номер на захранващия адаптер са разположени в долната част на захранващия адаптер.

ПРЕДУПРЕЖДЕНИЕ

ЗА ДА
ПРЕДТВРАТИТЕ
ИЗБУХВАНЕ НА ПОЖАР,
ВИНАГИ ДРЪЖТЕ СВЕЩИ
ИЛИ ДРУГИ ИЗТОЧНИЦИ НА
ОГЪН ДАЛЕЧ ОТ ТОЗИ
ПРОДУКТ.



ВАЖНА ЗАБЕЛЕЖКА

Този продукт е произведен от или от името на Sony Corporation, 1-7-1 Konan Minato-ku Tokyo, 108-0075 Япония. Запитвания за съответствие на продуктите съгласно законодателството на Европейския съюз, следва да се отправят към Упълномощения представител Sony Deutschland GmbH, Hedelfinger Strasse 61, 70327 Stuttgart, Германия. За въпроси, свързани със сервиз и гаранция, моля използвайте адресите, посочени в придружаващите сервизни или гаранционни документи.

Забележка за безжичен сигнал



С настоящето Сони Корпорация декларира, че този продукт отговаря на основните изисквания и другите съответстващи клаузи на Директива 1999/5/EC.

Подробности може да намерите на Интернет страницата: <http://www.compliance.sony.de/>

Забележка за потребители: следната информация се отнася само за оборудване, продавано в страни, където се прилагат директивите на ЕС.

Безжичната телевизионна система може да се използва в следните държави:

AT, BE, HR, CY, CZ, DK, EE, FI, FR, DE, GR, HU, IE, IT, LV, LT, LU, MT, NL, PL, PT, SK, SI, ES, SE, GB, IS, LI, NO, CH, BG, RO, TR, AL, BA, MK, MD, RS, ME

Това оборудване може да се използва в други неевропейски страни.

Информация за безопасност

ВНИМАНИЕ

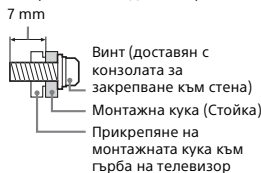
Батериите не трябва да се излагат на прекалена топлина, например слънчева светлина, огън или подобни.

Инсталация/Настройката

Инсталирайте и използвайте телевизора в съответствие с инструкциите, описани по-долу, за да избегнете риск от пожар, токов удар или повреда и/или наранявания.

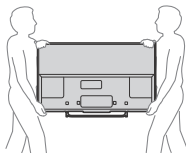
Инсталация

- Телевизорът трябва да бъде инсталиран близо до лесно достъпен контакт.
 - Поставете телевизора на стабилна, равна повърхност, за да се избегне падането му и причиняването на нараняване или повреда на телевизора.
 - Монтажа на устройството към стената трябва да се извърши само от квалифициран персонал.
 - За по-голяма безопасност ви препоръчваме да използвате оригиналните аксесоари на Sony, включително:
 - Конзола за закрепване към стена
 - На всяка цена използвайте приложените винтове към конзолата за закрепване към стена, когато монтирате скобите за захващане (стойка) към телевизора. Приложените винтове са проектирани при измерване спрямо закачващата повърхност на монтажната скоба (стойка), както е показано на илюстрацията. Диаметърът и дължината на винтовете се различават в зависимост от модела на конзолата за закрепване към стена.
- Използването на винтове, различни от тези в комплекта на конзолата, може да доведе до вътрешни повреди на телевизора или да стигне причина за падането му и т.н.



Пренасяне

- Преди да местите телевизора, изключете всички кабели от него.
- Пренасянето на голям телевизор изисква двама или повече души.
- Когато местите телевизора на ръце, дръжте го, както е показано по-долу. Не натискайте LCD панела и рамката около екрана.



- При пренасяне не излагайте телевизора на сътресения или прекалени вибрации.
- Когато пренасяте телевизора при ремонт или при смяна на жилището, пакетирайте го, като използвате оригиналната опаковка и материали за пакетирание.

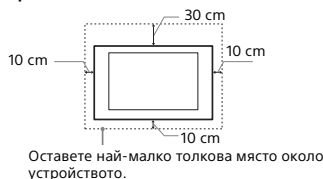
Предпазване от преобръщане

- Преди да поставите винта, сложете дисплея с лицето надолу на стабилна работна повърхност, която е по-голяма от телевизора.
- За да избегнете повреда на повърхността на LCD дисплея, поставете мека кърпа върху работната повърхност.

Вентилация

- Никога не покривайте вентилационните отвори и не вкарвайте предмети в корпуса.
- Оставете свободно място около телевизора както е показано по-долу.
- Препоръчително е да използвате оригиналната конзола за монтиране към стена на Sony, за да осигурите достатъчна циркулация на въздуха.

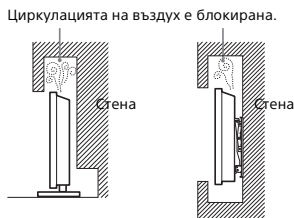
Инсталация на стена



Инсталиране с помощта на поставка



- За да постигнете правилна вентилация и за да предотвратите събирането на прах или мръсотия:
 - Не слагайте телевизора легнал, не го монтирайте обърнат с горния край надолу, наопаки или странично.
 - Не слагайте телевизора върху рафтове, килим, легло или в дрешник.
 - Не покривайте телевизора с парчета плат, като пердета или с други предмети, като вестници и др.
 - Не инсталирайте телевизора, както е показано по-долу.



Захранващ кабел

- За да предотвратите риск от пожар, токов удар, повреда и/или нараняване, работете със захранващия кабел както следва:
- Използвайте само оригинален захранващ кабел на Sony. Не използвайте други марки.
 - Вкарвайте щепсела плътно и докрай в контакта.
 - Включвайте телевизора само към променливотоково захранване от 220-240 V.
 - Когато прокарвате кабели, за ваша безопасност се уверете, че сте изключили захранващия кабел, внимавайте да не се спънете в кабелите.
 - Изключете захранващия кабел от мрежата от 220 V, преди да работите или местите телевизора.
 - Пазете захранващия кабел далеч от източници на топлина.
 - Изключете захранващия кабел и го почиствайте редовно. Ако захранващият кабел е замърсен или прахен и по него се образува влага, изолацията му може да се наруши и това може да доведе до пожар.

Забележка

- Не използвайте приложения захранващ кабел с друго оборудване.
- Не дупчете, не огъвайте и не усуквайте прекомерно захранващ кабел. Жилото на проводниците може да се оголи или прекъсне.
- Не преправяйте захранващ кабел.
- Не поставяйте тежки предмети върху захранващ кабел.
- Не дърпайте самия захранващ кабел, когато го изключвате от контакта.
- Не свързвайте твърде много устройства към един и същи контакт.
- Не използвайте контакт, който не захваща стабилно щепсела.

БЕЛЕЖКА ОТНОСНО ЗАХРАНВАЩА АДАПТОР

Предупреждение

За да намалите опасността от пожар или електрически удар, не излагайте апарата на дъжд или влага.

- За да предотвратите пожар или удар, не поставяйте предмети, пълни с вода, например вази, върху апарата. Не монтирайте това оборудване в затворено пространство, например библиотека или подобна мебел.
- Моля, уверете се, че електрическият контакт е монтиран близо до оборудването и е лесно достъпен.
 - Уверете се, че използвате доставените захранващ адаптор и кабел.
 - Не използвайте никакъв друг захранващ адаптор. Това може да причини неизправност.
 - Свържете захранващ адаптор към лесно достъпен електрически контакт.
 - Не навийте захранващ кабел около захранващ адаптор. Вътрешният проводник може да прекъсне и това да причини неизправност на приемника.



- Не докосвайте захранващ адаптор с влажни ръце.
- Ако забележите изменения в захранващия адаптор, изключете го от електрическия контакт незабавно.
- Телевизорът не е прекъснат от източника на захранване, докато е свързан към електрическия контакт, дори ако самият телевизор е изключен.
- Понеже захранващият адаптер се затопля, ако се използва продължително, може да почувствате топлината, когато го докоснете с ръка.

Забранена употреба

Не инсталирайте/използвайте телевизора на следните места или в ситуациите, описани по-долу. В противен случай телевизорът може да се повреди и/или да причини пожар, токов удар, повреда и/или нараняване.

Местоположение:

- На открито (пряка слънчева светлина), на морския бряг, на кораб или друг плавателен съд, във вътрешността на превозно средство, в медицински заведения, на нестабилни повърхности, близо до вода, изложен на дъжд, влага или пушек.
- Ако телевизорът бъде поставен в съблекалня на обществена баня или минерална баня, телевизорът може да се повреди от сярата във въздуха и др.



- За най-добро качество на картината, не излагайте екрана на директно осветяване или слънчева светлина.
- Избягвайте преместването на телевизора от студено на топло място. Внезапните промени в температурата на стаята могат да причинят конденз на влага. Това може да е причина за показване на лоша картина и/или лоши цветове. В такъв случай изчакайте влагата да се изпари напълно, преди да включите телевизора.

Околна среда:

- Места, които са горещи, влажни или прекалено прашни; Там, където може да влязат насекоми; Където може да бъде изложен на механични вибрации, в близост до запалими предмети (свеци и др.). Телевизорът не трябва да бъде заливан или пръскан; не поставяйте в близост до телевизора предмети, пълни с течности, като например вази.
- Не поставяйте телевизора на влажно или прашно място, или в стая с мазен дим или пара (близо до кухненски плитове или овлажнителни). Може да възникне пожар, електрически удар или деформация.
- Не поставяйте телевизора на места, изложени на високи температури, например директна слънчева светлина, близо до радиатор или отоплително тяло. В такива условия телевизорът може да прегрее, което да причини деформация на корпуса и/или повреда на телевизора.



Ситуации:

- Не използвайте устройството, ако сте с мокри ръце, когато капакът на устройството е свален или с аксесоари, които не са препоръчани от производителя. По време на гръмотевични бури изключвайте телевизора от мрежата от 220 V, също изваждайте антенния кабел.
- Не монтирайте телевизора така, че да се стъри в пространството. Може да възникне нараняване или повреда от сблъсък на човек или предмет в телевизора.



Счупени парчета:

- Не хвърляйте нищо към телевизора. Стъклото на екрана може да се счупи и да експлодира при удара и да причини сериозни наранявания.
- Ако повърхността на дисплея се пропука, не я докосвайте, докато не изключите захранващ кабел. В противен случай може да получите токов удар.

Когато не използвате устройството

- Поради причини, свързани с безопасността и околната среда, ви препоръчваме да изключвате телевизора от мрежата, когато не планирате да го използвате няколко дни.
- Телевизорът не е изключен от мрежата, когато е изключен от копчето. За да изключите напълно устройството, изключете кабела на захранването от електрическата мрежа.
- Някои телевизори притежават функции, които изискват оставянето на устройството в режим Готовност.

Относно децата

- Не позволявайте на деца да качват върху телевизора.
- Пазете малките аксесоари далеч от деца, за да не бъдат погълнати от тях по невнимание.

Ако възникнат следните проблеми...

Незабавно изключете телевизора и извадете захранващ кабел в случай, че възникне някоя от следните проблеми. Консултирайте се с вашия Sony доставчик или с упълномощен сервис на Sony дали е наложително телевизорът да бъде проверен от квалифициран сервис.

Когато:

- Захранващият кабел е повреден.
- Гнездото на контакта не захваща стабилно щепсела.
- Телевизорът е повреден, понеже е изпуснат, ударен или нещо е хвърлено по него.
- Течни или твърди предмети са попаднали в отворите на корпуса.

Относно температурата на LCD монитора

Когато LCD мониторът се използва продължително време, околният панел се затопля. Може да усетите топлината, ако го докоснете.

КОНЗОЛА ЗА ЗАКРЕПВАНЕ КЪМ СТЕНА

Информацията по-долу показва правилната работа с конзолата за закрепване към стена. Уверете се, че сте прочели внимателно информацията и използвайте правилно конзолата за закрепване към стена.

За потребителите:

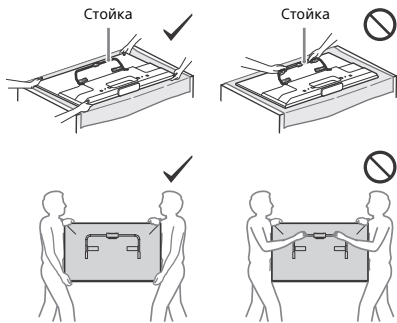
Непременно спазвайте следните мерки за безопасност, за да предотвратите сериозни наранявания от огън, електрически удар, преобръщане или изпускане на продукта.

- Поверете монтажа на лицензирани изпълнители и дръжте децата настрана по време на монтажа.
- Уверете се, че сте възложили преместването или демонтажа на телевизора на лицензирани изпълнители.
- Не сваляйте винтове и други елементи след монтажа на телевизора.
- Не променяйте частите на конзолата за закрепване към стена.
- Не монтирайте друго на конзолата оборудване, освен този продукт.
- Не подлагайте конзолата за закрепване към стена на никакъв друг товар, освен телевизора.
- Не се облягайте и не увисвайте от телевизора.
- Не третирайте телевизора с прекалена сила по време на почистване или поддръжка.

За търговци и подизпълнители на Sony:

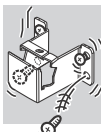
Следните инструкции са само за търговците и подизпълнителите на Sony. Уверете се, че сте прочели мерките за безопасност, описани по-долу, и обърнете специално внимание на безопасността по време на монтажа, поддръжката и проверката на продукта.

- Когато монтирате или боравите с телевизора, дръжте го отстрана. Не повдигайте телевизора за стойката.



- Не монтирайте конзолата за закрепване към стена на стени повърхности, където ъглите или страните на телевизора са издадени настрана от повърхността на стената.

- Не монтирайте телевизора над или под климатик.
- Монтирайте здраво конзолата за закрепване към стената, като следвате указанията в тези инструкции за работа. Ако някой от винтовете е разхлабен или изпадне, конзолата за закрепване към стена може да падне и да причини нараняване или материални щети.
- Използвайте предоставените винтове и монтажни елементи правилно, като следвате указанията в тези инструкции за работа. Ако използвате заместващи елементи, телевизорът може да падне и да причини наранявания на лица или повреда на телевизора.



- Сгلوبете конзолата правилно, като следвате процедурата, описана в тези инструкции за работа.
- Уверете се, че затягате здраво винтовете в указаното положение.
- Внимавайте да не ударите телевизора по време на монтажа.
- Уверете се, че монтирате телевизора на стена, която е перпендикулярна и равна.
- След правилния монтаж на телевизора, обезопасете правилно кабелите.
- Не позволявайте захранващия проводник или свързващите кабели да бъдат притискани, тъй като вътрешните проводници могат да бъдат изложени и да се получи късо съединение или електрически пробив.



Предпазни мерки

Гледане на телевизия

- Някои хора могат да усетят неудобство (като напъгане на очите, умора или гадене) докато гледат 3D видео изображения или играят стереоскопични 3D игри. Sony препоръчва на всички зрители да правят редовни почивки когато гледат 3D видео изображения или играят на стереоскопични 3D игри. Продължителността и честотата на необходимите почивки е различна за всеки човек. Вие трябва да решите кое е най-добро за вас. Ако изпитате някакво неудобство, трябва да спрете да гледате 3D видео изображения или да играете стереоскопични 3D игри, докато неудобството отmine; консултирайте се с лекар, ако сметнете за необходимо. Също така трябва да прегледате (i) ръководството за употреба на всяко друго устройство или медия, използвани с този телевизор и (ii) нашия уебсайт (<http://support.sony-europe.com/>) за най-новата информация. Зрението на малките деца (особено на тези под шестгодишна възраст) все още се развива. Обърнете се към лекар (педиатър или очен лекар), преди да позволите на малки деца да гледат 3D видео изображения или да играят на стереоскопични 3D игри. Възрастните трябва да наблюдават малките деца, за да гарантират, че те спазват описаните по-горе препоръки.
- Не използвайте, съхранявайте или оставяйте 3D очилата или батерията близо до огън, или на места с висока температура, например на директна слънчева светлина или в нагрети от слънцето автомобили.
- Когато използвате функцията за симулиране на 3D, моля имайте предвид, че показваното изображение е променено спрямо оригиналното, което се дължи на конвертирането, извършено от този телевизор.
- Гледайте телевизия в средно осветена стая, тъй като гледането на телевизия в слабо осветена стая натоварва допълнително очите ви.
- Когато използвате слушалки, настройте силата на звука, за да предотвратите увреждане на слуха.

LCD екран

- Въпреки че LCD екранът е изработен по високо-прецизна технология и повече от 99,99% от пикселите му са ефективни, върху LCD екрана може трайно да се появят черни или светли точки (червени, сини или зелени). Това е структурна особеност на LCD панела и не представлява неизправност.
- Не натискайте и не драскайте предния филтър и не поставяйте предмети върху устройството. Изображението може да е неравномерно или LCD панелът може да се повреди.
- Ако използвате устройството на студено място, картината може да се замъгли или да стане по-тъмна. Това не е неизправност. Този феномен изчезва, когато температурата се повиши.
- Когато на екрана продължително време са показани неподвижни изображения, възможно е да се появят остатъчни образи. Те могат да изчезнат след няколко секунди.

- Екранът и корпусът се затоплят, когато използвате устройството. Това не е неизправност.
- LCD екранът съдържа малко количество течни кристали. Следвайте местните правила и закони за изхвърляне на подобни отпадъци.

Поддръжка и почистване на повърхността на екрана/корпуса на телевизора

Уверете се, че сте изключили свързания към телевизора захранващ кабел, преди да започнете почистване.

За да предотвратите повреда на покритието на екрана, следвайте инструкциите, изброени по-долу.

- За да премахнете праха от повърхността на екрана/корпуса, почиствайте с меко сухо парче плат. Ако полепналият прах не може да се почисти, почиствайте екрана с меко парче плат, леко навлажнено със слаб почистващ разтвор.
- Никога не пръскайте вода или разтвор директно върху телевизора. Може да се образуват капки, които да потекат до дъното на екрана или по външните части да навлезнат в телевизора и да го повредят.
- Не използвайте грапави парчета плат, почистващи препарати на алкална/киселинна основа, почистващи прахове или разтвори, като например алкохол, бензол, разредител или инсектицид. Използването на такива вещества или продължителният контакт с гума или винил може да повреди повърхността на екрана или повърхността на корпуса на устройството.
- Препоръчва се периодично почистване с прахосмукачка на отворите за проветряване с цел осигуряване на правилна вентилация.
- Когато регулирате ъгъла на телевизора, местете бавно устройството, за да предотвратите изместване на телевизора или падане от масата или стойката.

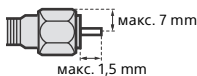


Допълнително оборудване

- Не дръжте близо до телевизора допълнителните компоненти или каквото и да е било оборудване, излъчващо електромагнитни вълни. В противен случай е възможно картината и/или звукът да бъдат със смущения.
- Това оборудване е тествано и съответства на изискванията на Директива EMC, като използва свързващ кабел тип F-къс от 3 метра.

Препоръки за конектор тип F

Вътрешният проводник трябва да е издаден спрямо свързващата част наймалко 1,5 mm.



(Препоръчителна схема на конектор тип F)

Внимание при работа с дистанционното управление

- Съблюдавайте правилната поляриност при поставяне на батериите.
- Не използвайте съвместно батерии от различен тип, както и стари и нови батерии.
- Изхвърляйте изразходваните батерии по щадящ околната среда начин. В някои населени места е възможно изхвърлянето на батериите да е регулирано нормативно. Консултирайте се с местните власти.
- Работете внимателно с дистанционното управление. Не го изпускате, не стъпвайте върху него и не изливате никакви течности върху него.
- Не поставяйте дистанционното управление в близост до източници на топлина, на пряка слънчева светлина или в стая с повишена влажност.

Безжична функция на продукта

- Не работете с уреда близо до медицинско оборудване (пейсмейкър и др.), защото може да доведе до повреда на медицинското оборудване.
- Макар, че този уред предава/приема кодирани сигнали, внимавайте за неотризирано прихващане. Не носим отговорност за възникнали в резултат проблеми.

КОНЗОЛА ЗА ЗАКРЕПВАНЕ КЪМ СТЕНА

- Ако използвате дълго време телевизора, монтиран на конзолата за закрепване към стена, стената зад или над телевизора може да се обезцвети или тапетът да се отлепи, в зависимост от материала на стената.
- Ако конзолата за монтаж на стена брде премахната от стената след монтажа, остават отвори от винтовете.
- Не използвайте конзолата за закрепване към стена на място, на което тя ще е подложена на механични вибрации.

Изхвърляне на телевизора



Третиране на стари електрически и електронни уреди (приложимо в Европейския съюз и други Европейски страни със системи за разделно събиране на отпадъци)

Този символ върху устройството или върху неговата опаковка показва, че този продукт не трябва да се третира като домакински отпадък. Вместо това той трябва да бъде

предаден в съответния събирателен пункт за рециклиране на електрически и електронни уреди. Като предадете този продукт на правилното място, Вие ще помогнете за предотвратяване на негативните последици за околната среда и човешкото здраве, които биха възникнали при изхвърлянето му на неподходящо място. Рециклирането на материалите ще спомогне да се съхранят природните ресурси. За подробна информация относно рециклирането на този продукт можете да се обърнете към местната градска управа, фирмата за събиране на битови отпадъци или магазина, откъдето сте закупили продукта.



Третиране на използвани батерии (приложимо в Европейския Съюз и други европейски държави със системи за разделно събиране на отпадъците)

Този символ върху батерията или върху опаковката показва, че батерията, доставена с този продукт, не трябва да се третира като домакински отпадък. При някои батерии този символ се използва в комбинация с означение на химически елемент. Означението на химическия елемент живак (Hg) или олово (Pb) се добавя ако батерията съдържа повече от 0,0005% живак или 0,004% олово. Като предадете тази батерия на правилното място, Вие ще помогнете за предотвратяване на негативните последици за околната среда и човешкото здраве, които биха възникнали при изхвърлянето им на неподходящо място. Рециклирането на материалите ще спомогне да се съхранят природните ресурси. За продукти, които от гледна точка на безопасност, правилен начин на действие или съхранение на данни изискват батерията да бъде постоянно свързана (вградена), тази батерия трябва да бъде подменена само от квалифициран сервизен персонал. За да сте сигурни, че вградената батерия ще бъде третирана правилно, предайте стария продукт в събирателен пункт за рециклиране на електрически и електронни уреди. За всички останали батерии моля прочетете в пътуването как да извадите по безопасен начин изважда батерията от продукта. Предайте я в събирателния пункт за рециклиране на използвани батерии. За подробна информация относно рециклирането на този продукт или батерия можете да се обърнете към местната градска управа, фирмата за събиране на битови отпадъци или магазина, откъдето сте закупили продукта.

Монтиране на телевизора на стената

До потребителите

За монтажа на този продукт се изисква достатъчен опит. Възложете монтажа на дистрибуторите на Sony или на лицензирани изпълнители и обърнете специално внимание на безопасността по време на монтажа. Sony не носи отговорност за щети или наранявания, възникнали поради лошо извършен или неправилен монтаж или поради монтаж на друго, освен указания продукт. Вашите законни права (ако са налице такива) не са нарушени.

До дистрибуторите на Sony и подизпълнителите

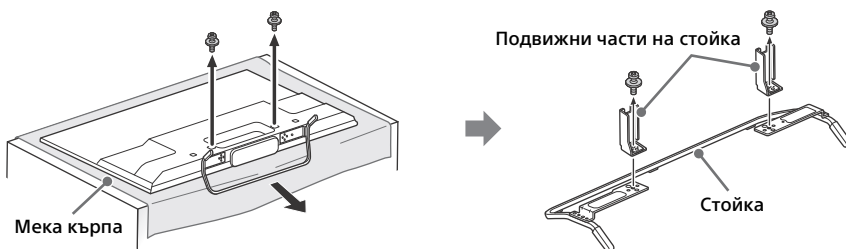
За монтажа на този продукт се изисква достатъчен опит. Прочетете тези инструкции за работа внимателно с цел безопасно извършване на монтажните дейности. Sony не носи отговорност за повреди или наранявания, причинени от неправилни действия или монтаж.

Поставката за маса на вашия телевизор ще се използва като част от конзолата за закрепване към стена.

Забележка

- Вижте страница 3 (Информация за безопасност) и страница 5 (Предпазни мерки) в КОНЗОЛА ЗА ЗАКРЕПВАНЕ КЪМ СТЕНА, преди да извършите монтажа на конзолата за закрепване към стена.
- Ако поставката за маса е прикрепена към телевизора, откачете я преди това.
- Когато обезопасявате стойката или когато сваляте поставката за маса от телевизора, го поставете с екрана надолу на равна и стабилна повърхност, покрита с дебела и мека кърпа, която е по-голяма от него, за да предотвратите повреда на повърхността на LCD дисплея.
- След като подвижните части бъдат откачени от стойката, запазете ги заедно с винтовете на сигурно място.
- Когато закрепвате отново поставката за маса, затегнете винтовете (свалени по-рано) към оригиналните отвори на гърба на телевизора.
- Преди да включите телевизора, уверете се, че той е във вертикална позиция. Телевизорът не трябва да се включва към захранването с LCD панела с лицето надолу, за да се избегне нееднородност на картината.

За да свалите поставката за маса от телевизора

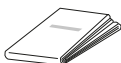


Монтаж на конзолите на стената

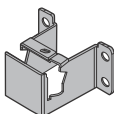
1 Подгответе необходимите елементи.

Акесоари на конзола за закрепване към стена (приложени)

Ⓐ Хартиен шаблон



Ⓑ Основа за закрепване към стена
KDL-50W82xB,
KDL-50W81xB,
KDL-50W80xB,
KDL-50W70xB (2)
KDL-42W82xB,
KDL-42W81xB,
KDL-42W80xB,
KDL-42/32W70xB (1)



Ⓒ Протектор на стойката
KDL-50W82xB,
KDL-50W81xB,
KDL-50W80xB,
KDL-50W70xB (2)
KDL-42W82xB,
KDL-42W81xB,
KDL-42W80xB,
KDL-42/32W70xB (1)



Ⓓ Винт (+PSW 6 × 12) (2)



Ⓔ Дистанционна втулка (2)



Ⓕ Покриваща пластина на конзолата
KDL-50W82xB,
KDL-50W81xB,
KDL-50W80xB,
KDL-50W70xB (2)
KDL-42W82xB,
KDL-42W81xB,
KDL-42W80xB,
KDL-42/32W70xB (1)

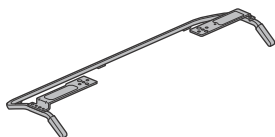


Ⓖ Винт (+PSW 4 × 10)
KDL-50W82xB,
KDL-50W81xB,
KDL-50W80xB,
KDL-50W70xB (2)
KDL-42W82xB,
KDL-42W81xB,
KDL-42W80xB,
KDL-42/32W70xB (1)



Стойка (приложена)

Ⓖ



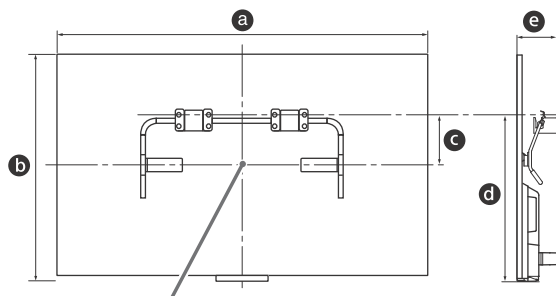
Винтове за основа за закрепване към стена (диаметър 8 mm, не са приложени)

KDL-50W82xB,
KDL-50W81xB,
KDL-50W80xB,
KDL-50W70xB (8)
KDL-42W82xB,
KDL-42W81xB,
KDL-42W80xB,
KDL-42/32W70xB (4)

2 Уверете се, че има достатъчно място на стената и че тя може да поддържа поне четири пъти тежестта на телевизора.

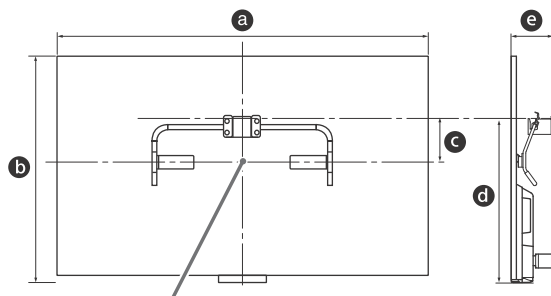
Вижте следната таблица относно инсталиране на телевизора на стената. Вижте страница 15-18 (Спецификации) относно теглото на телевизора.

KDL-50W82xB, KDL-50W81xB, KDL-50W80xB, KDL-50W70xB



Централна точка на екрана

KDL-42W82xB, KDL-42W81xB, KDL-42W80xB, KDL-42/32W70xB



Централна точка на екрана

Мерна единица: cm

Име на модел KDL-	Размери на екрана		Размер на центъра на екрана	Дължина за монтаж	
	a	b		d	e
50W82xB/ 50W81xB/ 50W80xB/ 50W70xB	111,6	65,6	13,0	46,9	11,8
42W82xB/ 42W81xB/ 42W80xB/ 42W70xB	95,8	56,3	17,5	46,5	11,8
32W70xB	72,9	43,3	18,8	41,3	11,3

Забележка

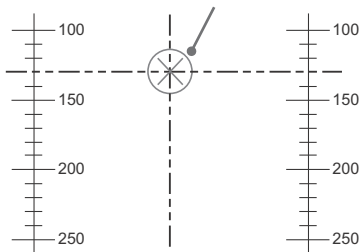
- Числата в таблицата може малко да се различават в зависимост от начина на извършване на монтажа.

- 3** Направете знак на хартиения шаблон **(A)**, който показва центъра на екрана на вашия телевизор.

**KDL-50W82xB, KDL-50W81xB,
KDL-50W80xB, KDL-50W70xB**

Линия на хартиен шаблон **(A)**

Знак за KDL-50W82xB, KDL-50W81xB,
KDL-50W80xB, KDL-50W70xB

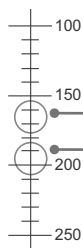


**KDL-42W82xB, KDL-42W81xB,
KDL-42W80xB, KDL-42/32W70xB**

Линия на хартиен шаблон **(A)**

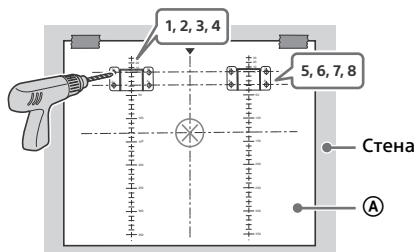
Знак за KDL-42W82xB,
KDL-42W81xB, KDL-42W80xB,
KDL-42W70xB

Знак за KDL-32W70xB

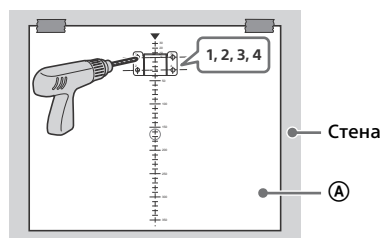


- 4** Залепете хартиения шаблон **(A)** към стената с лепенки и пробийте отвори в зависимост от номерацията на хартиения шаблон **(A)**, като използвате електрическа бормашина.

**KDL-50W82xB, KDL-50W81xB,
KDL-50W80xB, KDL-50W70xB**



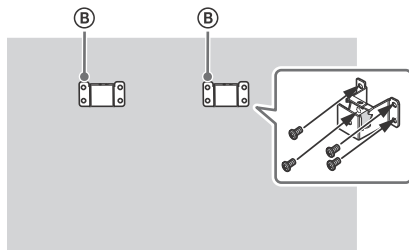
**KDL-42W82xB, KDL-42W81xB,
KDL-42W80xB, KDL-42/32W70xB**



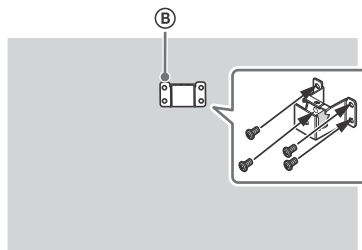
- 5** Свалете хартиения шаблон **(A)** от стената.

- 6** Закачете правилно основата за закрепване към стена **(B)** към стената, като използвате винтове (диаметър 8 мм, не са приложени).

**KDL-50W82xB, KDL-50W81xB,
KDL-50W80xB, KDL-50W70xB**

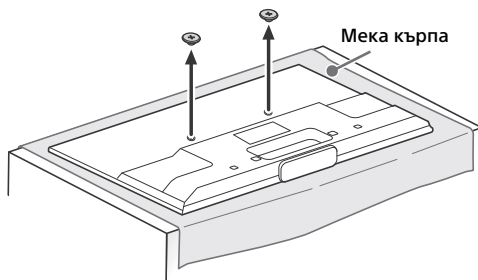


**KDL-42W82xB, KDL-42W81xB,
KDL-42W80xB, KDL-42/32W70xB**



Подготовка за монтаж на телевизора

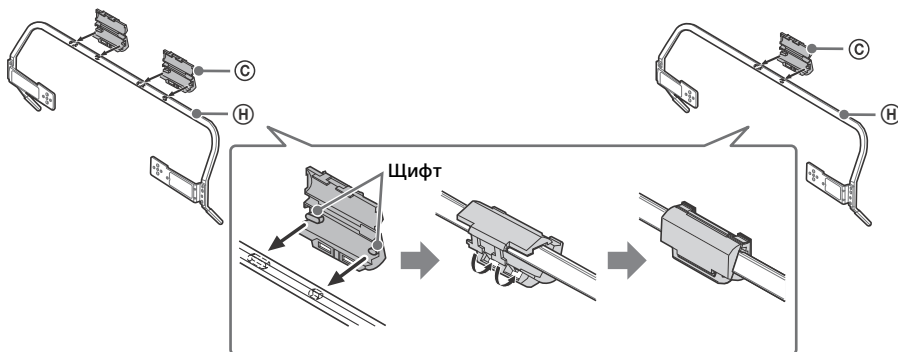
- 1 Свалете винтовете от задната част на телевизора. Запазете свалените винтове на сигурно място, далече от деца.



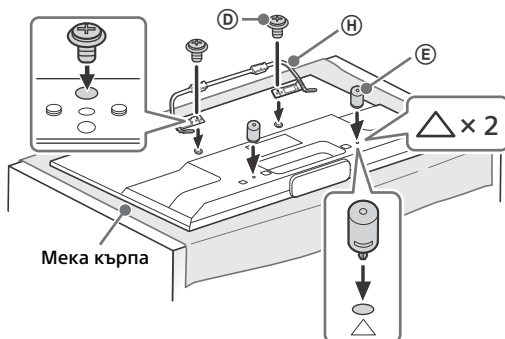
- 2 Поставете щифта (от протектора на стойката ©) в отвора на стойката (H), после огнете нагоре протектора на стойката ©. Проверете дали протекторът на стойката © е здраво закрепен към стойката (H).

KDL-50W82xB, KDL-50W81xB,
KDL-50W80xB, KDL-50W70xB

KDL-42W82xB, KDL-42W81xB,
KDL-42W80xB, KDL-42/32W70xB



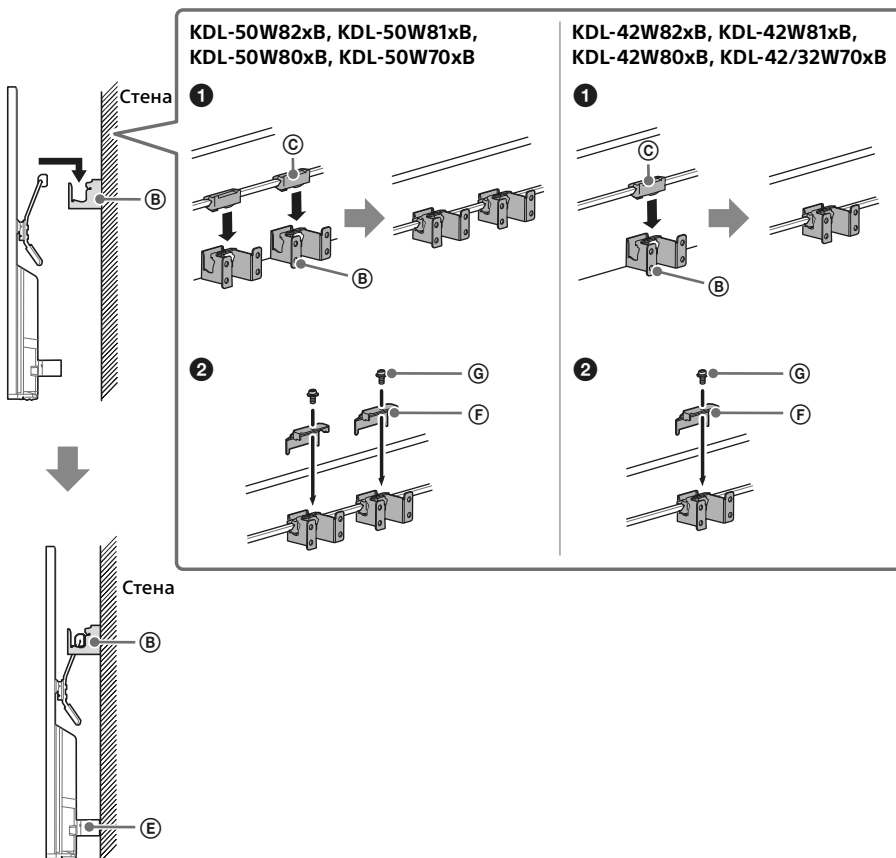
- 3 Закачете стойката (H) към телевизора, като използвате приложените винтове (D). Закачете дистанционните втулки (E) в отворите, указани със знак триъгълник Δ. KDL-50W82xB, KDL-50W81xB, KDL-50W80xB, KDL-50W70xB е използван с цел илюстрация.



BG

Монтаж на телевизора на стената

- 1 Уверете се, че сте свързали и събрали кабелите преди да монтирате телевизора на стената.
- 2 Монтирайте телевизора на стената. После проверете дали протекторът на стойката © е здраво фиксиран в основата за закрепване към стена © и че дистанционните втулки © допират стената. Закачете покриващата пластина на конзолата ©, като използвате приложените винтове ©.



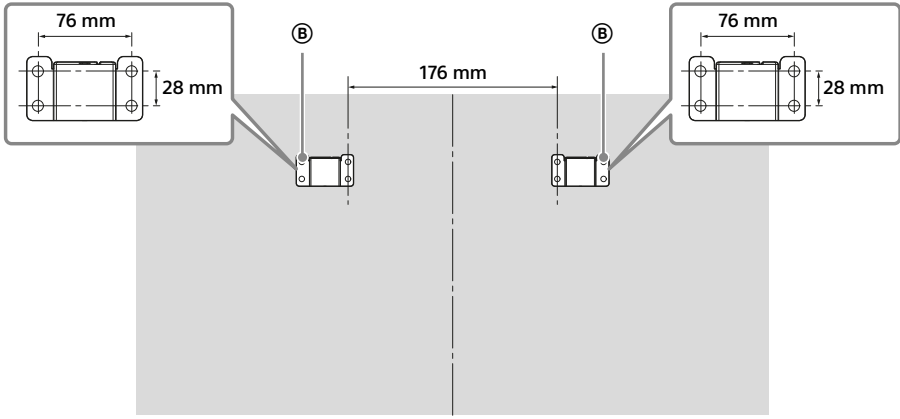
Размери на позициите на отворите в стената

При поискване предайте следната информация на лицензираните изпълнители.

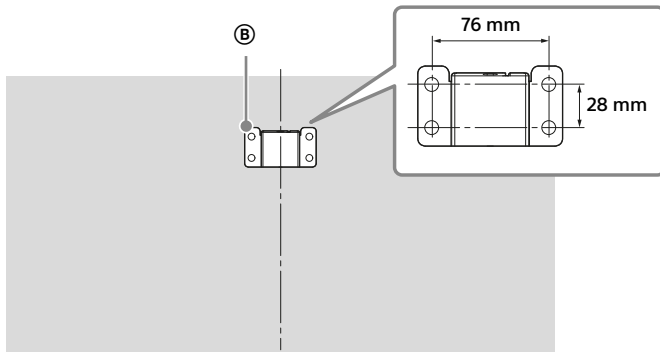
Използвайте винтове (диаметър 8 mm, не са приложени), за да монтирате основата за закрепване към стена (B) на стената.

Непременно използвайте приложния хартиен шаблон (A), който показва действителната позиция на основата за закрепване към стена за улеснение на монтажа.

KDL-50W82xB, KDL-50W81xB, KDL-50W80xB, KDL-50W70xB



KDL-42W82xB, KDL-42W81xB, KDL-42W80xB, KDL-42/32W70xB



За инструкции относно монтажа на конзолата за закрепване на стена за вашия модел телевизор вижте следната уеб страница:
www.sony.eu/tv/wall-mount-bracket-manual

Отстраняване на неизправности

Когато LED осветлението мига в червено, пребройте премигванията (интервалът е три секунди).

Ако LED осветление мига в червено, нулирайте Телевизия, разкачете захранващия кабел от Телевизия за две минути, след това включете Телевизия. Ако проблемът продължава, свържете се с вашия доставчик или център за обслужване на Sony с броя на премигванията в червено на LED осветление (интервалът е три секунди). Натиснете I/⏻ на Телевизия, за да го изключите, разкачете захранващия кабел и информирайте вашия доставчик или център за обслужване на Sony.

Когато LED осветлението не мига, проверете елементите в таблиците, както следва.

Можете също да видите [Отстраняване на неизправности] в i-Manual или да изпълните самодиагностика, като изберете ? [Помощ] → [Поддръжка за потребители] → [Самодиагностика]. Ако проблемът продължава, телевизорът ви трябва да бъде проверен от квалифициран сервизен техник.

Проблеми и решения

Няма картина (екранът е тъмен) и няма звук.

- Проверете връзката с антената/кабела.
- Включете телевизора към AC захранване и натиснете I/⏻ на дистанционното на телевизора.

Някои програми не могат да бъдат настроени.

- Проверете връзката с антената или сателитната чиния.
- Сателитният кабел може да е накъсо или да има проблеми със свързването на кабела. Проверете кабелната връзка и изключете телевизора от бутона за включване/изключване, после го включете отново.
- Въведената честота е извън обхват. Свържете се с компанията, разпространител на сателитните услуги.

Няма намерени кабелни ТВ услуги (програми).

- Проверете кабелната връзка или конфигурацията на настройката.
- Опитайте [Автомат. цифрова настройка], като изберете [Антенa] вместо [Кабел].

Дистанционното управление не работи.

- Сменете батериите.
- Вашият телевизор може да е в режим SYNC. Натиснете **SYNC MENU**, изберете [ТВ контрол], след това изберете [Home (Меню)] или [Опции] за управление на телевизора.

Паролата за [Родителски контрол] е била забравена.

- Въведете 9999 за ПИН код. (ПИН кодът 9999 се приема винаги.)

Рамката на телевизора се затопля.

- Когато телевизорът се използва продължително време, рамката му се затопля. Може да усетите топлина, когато я докоснете с ръка.

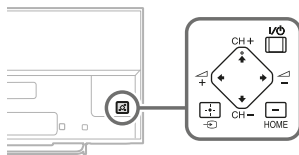
Прекъснало аудио или замръзнало видео, празен екран или телевизорът не реагира на команди от бутоните на телевизора или дистанционното управление.

- Направете обикновено рестартиране на телевизора, като го изключите от променливотоковото захранване за 2 минути и след това го включите отново.


Не можете да намерите бутоните I/⏻, CH+/-, ⏪ +/-, ⏩ +/-, ⏴, ⏵, ⏶, ⏷ и HOME на телевизора.

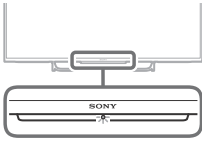
- Вижте илюстрацията по-долу относно местоположението на бутоните на телевизора.

Задна част на телевизора



LED осветлението е включено.


- Ако не искате LED осветлението да свети, можете да го изключите.
Натиснете **HOME**, после изберете 
[Настройки] → [Системни настройки] → [Общи настройки] → [LED осветление] → [Изкл.].
Можете също да натиснете **OPTIONS**, после да изберете [LED осветление] → [Изкл.].



Не може да се свърже с безжичен рутер чрез WPS.

- Ако използвате WEP защита, изберете [Лесно] → [Wi-Fi] → [Избор на мрежа от списък].
После изберете мрежовото име (SSID), към което искате да се свържете.

Не може да намери необходимото мрежово име в настройката на мрежата.

- Изберете [[Ръчно въвеждане]] и натиснете , за да въведете мрежовото име.

Спецификации

Система

Система на панела

LCD (течнокристален дисплей) панел,
LED подсветка

Телевизионна система

Аналогова: В зависимост от вашия избор на държава/регион: B/G, D/K, L, I, M

Цифрова: DVB-T/DVB-C
DVB-T2

Сателит: DVB-S/DVB-S2

Система на цветовете/видео система

Аналогова: PAL, SECAM, NTSC3.58, NTSC4.43

Цифрова: Вижте i-Manual.

Покритие на каналите

Аналогова: UHF/VHF/кабел, В зависимост от вашия избор на държава/регион.

Цифрова: UHF/VHF/кабел, В зависимост от вашия избор на държава/регион.

Сателит: IF честота 950-2150 MHz

Звук изход

8 W + 8 W (без KDL-32W70xB)

5 W + 5 W (само KDL-32W70xB)

Безжична технология

IEEE802.11a/b/g/n протокол

Входно/изходни жакове

Антенен кабел



75 ома външен терминал за VHF/UHF

Сателитна антена

Конектор тип F, женски IEC169-24, 75 ома.

DiSEqC 1.0, LNB 13 V/18 V & 22 kHz тон,

Разпределяне по 1 кабел EN50494.

 /  AV1

21-пинов Scart конектор (CENELEC стандарт)
включително аудио/видео вход, RGB вход и TV аудио/видео изход.

 /  COMPONENT IN

YpPr (Компонентно видео): 1080p (50, 60 Hz),
1080i (50, 60 Hz), 720p (50, 60 Hz), 576p, 576i,
480p, 480i

Аудио вход (фоно жакове)

 AV2

Видео вход (общ фоно пин с Y входа)

HDMI IN 1, 2, 3, 4 (без KDL-50/42/32W70xB)

Видео (2D): 1080p (30, 50, 60 Hz), 1080/24p, 1080i (50, 60 Hz), 720p (30, 50, 60 Hz), 720/24p, 576p, 576i, 480p, 480i, PC формати

Видео (3D):

Frame Packing: 1080p (30 Hz), 1080/24p, 1080i (50, 60 Hz), 720p (30, 50, 60 Hz), 720/24p
Една до друга: 1080p (50, 60 Hz), 1080/24p, 1080i (50, 60 Hz), 720p (50, 60 Hz)
Една над друга: 1080p (30, 50, 60 Hz), 1080/24p, 1080i (50, 60 Hz), 720p (50, 60 Hz)

Аудио: 5.1-канална линейна PCM: 32, 44,1 и 48 kHz, 16, 20 и 24 bits, Dolby Digital ARC (Audio Return Channel) (само HDMI IN 2)

HDMI IN 1, 2, 3, 4 (само KDL-50/42/32W70xB)

Видео: 1080p (30, 50, 60 Hz), 1080/24p, 1080i (50, 60 Hz), 720p (30, 50, 60 Hz), 720/24p, 576p, 576i, 480p, 480i, PC формати

Аудио: 5.1-канална линейна PCM: 32, 44,1 и 48 kHz, 16, 20 и 24 bits, Dolby Digital ARC (Audio Return Channel) (само HDMI IN 2)

MHL (общ с HDMI IN 1)

(без KDL-50/42/32W70xB)

Видео (2D): 1080p (30 Hz), 1080/24p, 1080i (50, 60 Hz), 720p (30, 50, 60 Hz), 720/24p, 576p, 576i, 480p, 480i

Видео (3D):

Една до друга: 1080/24p, 1080i (50, 60 Hz), 720p (50, 60 Hz)
Една над друга: 1080p (30 Hz), 1080/24p, 1080i (50, 60 Hz), 720p (50, 60 Hz)

Аудио: 5.1-канална линейна PCM: 32, 44,1 и 48 kHz, 16, 20 и 24 bits, Dolby Digital

MHL (общ с HDMI IN 1)

(само KDL-50/42/32W70xB)

Видео: 1080p (30 Hz), 1080/24p, 1080i (50, 60 Hz), 720p (30, 50, 60 Hz), 720/24p, 576p, 576i, 480p, 480i

Аудио: 5.1-канална линейна PCM: 32, 44,1 и 48 kHz, 16, 20 и 24 bits, Dolby Digital

DIGITAL AUDIO OUT (OPTICAL)

Цифров оптичен жак (Двуканален линеен PCM, Dolby Digital)

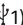
AUDIO OUT

Аудио изход (стерео минижак)

Жак слушалки

(поддръжка на субуфер)

1 (HDD REC), 2

Порт за USB HDD устройство (само  1),
USB порт



CAM (модул за условен достъп) гнездо

DC IN 19.5 V

Вход за адаптор



LAN

10BASE-T/100BASE-TX конектор (в зависимост от условията на работа на мрежата, скоростта на пренос на данните може да се различава. 10BASE-T/100BASE-TX за този телевизор не гарантира скорост и качество на комуникацията.)

Други

Аксесоари по избор

Тъчпад дистанционно: RMF-ED004

Камера с микрофон: CMU-BR200/CMU-BR100

Безжичен субуфер: SWF-BR100

MHL кабел: DLC-MB10/DLC-MB20/DLC-MC10/
DLC-MC20

Активни 3D очила: TDG-BT500A (само

KDL-50W82xB, KDL-50W81xB, KDL-50W80xB)



Пасивни 3D очила: TDG-500P (само

KDL-42W82xB, KDL-42W81xB, KDL-42W80xB)



Работна температура

0 °C – 40 °C

Работна влажност

Относителна влажност 10 % – 80 % (без образуване на конденз)

Захранване и други

Изисквания за захранване

19,5 V DC с променливотоков адаптор

Номинално входно напрежение:

220 V – 240 V AC, 50 Hz

Енергиен клас

KDL-50W82xB, KDL-50W81xB, KDL-50W80xB,

KDL-50W70xB: A++

KDL-42W82xB, KDL-42W81xB, KDL-42W80xB,

KDL-42W70xB: A+

KDL-32W70xB: A

Размер на екрана (измерен по диагонала) (прибл.)

KDL-50W82xB, KDL-50W81xB, KDL-50W80xB,

KDL-50W70xB: 50 инча / 125,7 cm

KDL-42W82xB, KDL-42W81xB, KDL-42W80xB,

KDL-42W70xB: 42 инча / 106,7 cm

KDL-32W70xB: 32 инча / 80,1 cm

Консумация на енергия

в [Стандартен] режим

KDL-50W82xB, KDL-50W81xB, KDL-50W80xB,
KDL-50W70xB: 51 W
KDL-42W82xB, KDL-42W81xB, KDL-42W80xB,
KDL-42W70xB: 50 W
KDL-32W70xB: 39 W

в [Ярък] режим

KDL-50W82xB, KDL-50W81xB, KDL-50W80xB,
KDL-50W70xB: 100 W
KDL-42W82xB, KDL-42W81xB, KDL-42W80xB,
KDL-42W70xB: 99 W
KDL-32W70xB: 80 W

Средно годишно потребление на енергия*¹

KDL-50W82xB, KDL-50W81xB, KDL-50W80xB,
KDL-50W70xB: 71 kWh
KDL-42W82xB, KDL-42W81xB, KDL-42W80xB,
KDL-42W70xB: 69 kWh
KDL-32W70xB: 54 kWh

Консумация на енергия в режим Готовност*²

0,5 W (10 W в режим на актуализация на софтуер/EPG)

Резолюция на дисплея

1 920 точки (по хоризонтала) × 1 080 реда (по вертикала)

Габарити (прибл.) (ш × в × д)

с поставка за маса

KDL-50W82xB, KDL-50W81xB, KDL-50W80xB,
KDL-50W70xB: 111,6 × 69,3 × 17,9 cm
KDL-42W82xB, KDL-42W81xB, KDL-42W80xB,
KDL-42W70xB: 95,8 × 60,0 × 17,0 cm
KDL-32W70xB: 72,9 × 46,5 × 14,1 cm

без поставка за маса

KDL-50W82xB, KDL-50W81xB, KDL-50W80xB,
KDL-50W70xB: 111,6 × 65,6 × 6,4 cm
KDL-42W82xB, KDL-42W81xB, KDL-42W80xB,
KDL-42W70xB: 95,8 × 56,3 × 6,4 cm
KDL-32W70xB: 72,9 × 43,3 × 6,4 cm

Тегло (прибл.)

с поставка за маса

KDL-50W82xB, KDL-50W81xB, KDL-50W80xB,
KDL-50W70xB: 14,8 kg
KDL-42W82xB, KDL-42W81xB, KDL-42W80xB,
KDL-42W70xB: 11,7 kg
KDL-32W70xB: 7,9 kg

без поставка за маса

KDL-50W82xB, KDL-50W81xB, KDL-50W80xB,
KDL-50W70xB: 13,6 kg
KDL-42W82xB, KDL-42W81xB, KDL-42W80xB,
KDL-42W70xB: 10,5 kg
KDL-32W70xB: 6,9 kg

- *¹ Консумация на енергия на година, базирано на консумацията на телевизор, който работи 4 часа на ден, 365 дни. Действителната консумация на енергия зависи от това как се използва телевизора.
- *² Указаната консумация на енергия в режим Готовност се достига след като телевизорът приключи необходимите вътрешни процеси.

Забележка

- Знакът "x" в името на модела съответства на число, отнасящо се до дизайна и цвета на телевизора.
- Не изваждайте имитационната карта от TV CAM (модул за условен достъп) слота, освен за да поставите смарт карта с CAM.
- Наличието на опционални аксесоари зависи от държавата/региона/модела на телевизора и наличността.
- Дизайнът и спецификациите подлежат на промяна без предупреждение.
- Този телевизор включва MHL 2.

Забележка за цифровата функция на телевизора

- Всяка функция, свързана с цифровата телевизия (DVB), ще работи само в държавите и областите, в които се предлагат DVB-T/DVB-T2 (MPEG-2 и H.264/MPEG-4 AVC) цифрови наземни сигнали, или там, където има достъп до съвместима с DVB-C (MPEG-2 и H.264/MPEG-4 AVC) кабелна услуга. Проверете при вашия местен доставчик дали там, където живеете, можете да приемате DVB-T/DVB-T2 сигнал или попитайте вашия доставчик на кабелна телевизия дали тяхната DVB-C кабелна услуга е подходяща за съвместна работа с този телевизор.
- Възможно е вашият кабелен доставчик да ви поиска такса за своите услуги или да поиска да се съгласите с правилата и условията, който той налага.
- Уверете че този телевизор отговаря на DVB-T/DVB-T2 и DVB-C спецификациите, съвместимостта му с бъдещи DVB-T/DVB-T2 цифрови наземни и DVB-C цифрови кабелни излъчвания не е гарантирана.
- Възможно е определени цифрови функции на телевизора да не работят в някои държави/региони и DVB-C кабелната услуга може да не работи правилно с някои доставчици.

Информация за търговски марки

- Термините HDMI и HDMI High-Definition Multimedia Interface, както и логото HDMI са търговски марки или запазени търговски марки на HDMI Licensing LLC в САЩ и други държави.
- DLNA®, логото на DLNA и DLNA CERTIFIED® са търговски марки, марки за услуги или сертифицирани марки на Digital Living Network Alliance.
- Произведено по лиценз на Dolby Laboratories. Dolby и символът двойно “D” са регистрирани търговски марки на Dolby Laboratories.
- “BRAVIA” и BRAVIA са търговска марка на Sony Corporation.
- TrackID е търговска марка или регистрирана търговска марка на Sony Mobile Communications AB.
- Gracenote, Gracenote eyeQ, Gracenote VideoID, Gracenote Video Explore, Gracenote MusicID, логото и логотипът Gracenote, както и логото “Powered by Gracenote” са регистрирани търговски марки или търговски марки на Gracenote в САЩ и/или други държави.
- Opera® Devices SDK from Opera Software ASA. Copyright 1995-2014 Opera Software ASA. All rights reserved.
- Wi-Fi, Wi-Fi Direct и Miracast са търговски марки или запазени търговски марки на Wi-Fi Alliance.
- Логото “Sony Entertainment Network” и “Sony Entertainment Network” са търговски марки на Sony Corporation.
- MHL, Mobile High-Definition Link и логото MHL са търговски марки или регистрирани търговски марки на MHL Licensing, LLC.
- За DTS патенти, вижте <http://patents.dts.com>. Произведено по лиценз на DTS Licensing Limited. DTS, символът, & DTS и символът заедно са регистрирани търговски марки, а DTS Digital Surround е търговска марка на DTS, Inc. © DTS, Inc. Всички права запазени.
- Designed with UEI Technology™ Under License from Universal Electronics Inc. Portions © UEI 2000 – 2013
- Знакът Bluetooth® и логата са собственост на Bluetooth SIG, Inc. и използването на тези знаци от Sony Corporation е по лиценз. Останалите търговски марки и търговски имена принадлежат на съответните им собственици.
- DiSEqC™ е търговска марка на EUTELSAT. Този телевизор поддържа DiSEqC 1.0. Този телевизор не е предназначен за управление на антени с мотор.

Περιεχόμενα

ΣΗΜΑΝΤΙΚΗ ΣΗΜΕΙΩΣΗ	4
Πληροφορίες σχετικά με την ασφάλεια	4
Προφυλάξεις	7
Εγκατάσταση της τηλεόρασης στον τοίχο	9
Εγκατάσταση των βάσεων στον τοίχο	10
Προετοιμασία για την εγκατάσταση της τηλεόρασης	13
Εγκατάσταση της τηλεόρασης στον τοίχο	14
Αντιμετώπιση προβλημάτων	16
Προβλήματα και λύσεις	16
Τεχνικά χαρακτηριστικά	17

Εισαγωγή

Σας ευχαριστούμε που επιλέξατε αυτό το προϊόν της Sony. Προτού χρησιμοποιήσετε την τηλεόραση, διαβάστε προσεκτικά αυτό το εγχειρίδιο οδηγιών και φυλάξτε το για μελλοντική χρήση.

Σημείωση

- Προτού θέσετε σε λειτουργία την τηλεόραση, διαβάστε τις "Πληροφορίες σχετικά με την ασφάλεια" (σελίδα 4).
- Οδηγίες σχετικά με την "Εγκατάσταση της τηλεόρασης στον τοίχο" συμπεριλαμβάνονται στο εγχειρίδιο οδηγιών αυτής της τηλεόρασης.
- Οι εικόνες και τα γραφικά που χρησιμοποιούνται στον Οδηγό Γρήγορης Εκκίνησης και σε αυτό το εγχειρίδιο παρέχονται μόνο για λόγους αναφοράς και ενδέχεται να διαφέρουν από την πραγματική εμφάνιση.

Θέση της αναγνωριστικής ετικέτας

Οι ετικέτες για τον Αρ. μοντέλου, την Ημερομηνία παραγωγής (μήνας/έτος) και την Ονομαστική τιμή ισχύος της τηλεόρασης βρίσκονται στην πίσω πλευρά της τηλεόρασης ή του πακέτου. Οι ετικέτες με τον αριθμό μοντέλου και τον σειριακό αριθμό του μετασχηματιστή κεντρικής παροχής βρίσκονται στο κάτω μέρος του μετασχηματιστή κεντρικής παροχής.

ΠΡΟΕΙΔΟΠΟΙΗΣΗ

ΓΙΑ ΤΗΝ ΑΠΟΤΡΟΠΗ

ΕΞΑΠΛΩΣΗΣ

ΠΥΡΚΑΓΙΑΣ, ΔΙΑΤΗΡΕΙΤΕ

ΠΑΝΤΑ ΤΑ ΚΕΡΙΑ Η ΑΛΜΕΣ

ΕΛΕΥΘΕΡΕΣ ΦΛΟΓΕΣ ΜΑΚΡΙΑ

ΑΠΟ ΑΥΤΟ ΤΟ ΠΡΟΪΟΝ.



Ευρωπαϊκή Εγγύηση Sony

Αγαπητέ πελάτη

Σας ευχαριστούμε που αγοράσατε αυτό το προϊόν της Sony. Ελπίζουμε να μείνετε ικανοποιημένοι από τη χρήση του. Στην απίθανη περίπτωση που το προϊόν σας χρειαστεί σέρβις (επισκευή) κατά τη διάρκεια της εγγύησης, παρακαλείστε να επικοινωνήσετε με το κατάστημα αγοράς ή με ένα μέλος του δικτύου μας εξουσιοδοτημένων σέρβις (ASN) της Ευρωπαϊκής Οικονομικής Ζώνης (ΕΟΖ) ή και άλλων χωρών που αναφέρονται σ' αυτή την εγγύηση ή στα συνοδευόμενα αυτήν φυλλάδια (Περιοχή Κάλυψης της Εγγύησης). Μπορείτε να βρείτε λεπτομέρειες για τα μέλη του δικτύου μας ASN, για παράδειγμα σε τηλεφωνικούς καταλόγους, στους καταλόγους προϊόντων μας και στις ιστοσελίδες μας. Για να αποφύγετε κάθε περιττή ταλαιπωρία σας, συνιστούμε να διαβάσετε προσεκτικά το εγχειρίδιο χρήσης προτού ψάξετε για επισκευή κατά τη διάρκεια της εγγύησης.

Η Εγγύησή Σας

Η παρούσα εγγύηση ισχύει για το προϊόν της Sony που αγοράσατε, εφ' όσον κάτι τέτοιο αναφέρεται στα φυλλάδια που συνοδεύουν το προϊόν σας, υπό την προϋπόθεση ότι αγοράστηκε εντός της Περιοχής Κάλυψης της Εγγύησης. Με την παρούσα, η Sony εγγυάται ότι το προϊόν είναι απαλλαγμένο από κάθε ελάττωμα σχετιζόμενο με τα υλικά ή την κατασκευή, για μια περίοδο ΔΥΟ ΕΤΩΝ από την ημερομηνία της αρχικής αγοράς. Η αρμόδια για να προσφέρει και εκπληρώσει την παρούσα εγγύηση εταιρεία Sony, είναι αυτή που αναφέρεται σ' αυτήν την Εγγύηση ή στο συνοδευόμενό αυτήν φυλλάδιο στη χώρα όπου επιδιώκεται η επισκευή κατά τη διάρκεια της εγγύησης.

Εάν, εντός της περιόδου εγγύησης, αποδειχθεί ελαττωματικό το προϊόν (κατά την ημερομηνία της αρχικής αγοράς) λόγω ακατάλληλων υλικών ή κατασκευής, η Sony ή ένα μέλος του δικτύου Εξουσιοδοτημένων Service ASN της Περιοχής Κάλυψης της Εγγύησης θα επισκευάσει ή θα αντικαταστήσει (κατ' επιλογή της Sony) χωρίς επιβάρυνση για εργατικά ή ανταλλακτικά, το προϊόν ή τα ελαττωματικά εξαρτήματά του, εντός εύλογου χρόνου, βάσει των όρων και συνθηκών που εκτίθενται παρακάτω. Η Sony και τα μέλη του δικτύου Εξουσιοδοτημένων Service ASN μπορούν να αντικαταστήσουν ελαττωματικά προϊόντα ή εξαρτήματα με νέα ή ανακυκλωμένα προϊόντα ή εξαρτήματα. Όλα τα προϊόντα και εξαρτήματα που έχουν αντικατασταθεί γίνονται ιδιοκτησία της Sony.

Όροι

1. Επισκευές δυνάμει της παρούσας εγγύησης θα παρέχονται μόνο εάν προσκομισθεί το πρωτότυπο τιμολόγιο ή η απόδειξη πώλησης (με την ένδειξη της ημερομηνίας αγοράς, του μοντέλου του προϊόντος και του ονόματος του εμπόρου) μαζί με το ελαττωματικό προϊόν εντός της περιόδου εγγύησης. Η Sony και τα μέλη του δικτύου Εξουσιοδοτημένων Service ASN μπορούν να αρχίσουν τη δωρεάν επίσκεψη κατά την περίοδο εγγύησης εάν δεν προσκομισθούν τα προαναφερόμενα έγγραφα ή εάν δεν προκύπτουν από αυτά η ημερομηνία αγοράς, το προϊόν ή το μοντέλο του προϊόντος ή το όνομα του εμπόρου. Η παρούσα εγγύηση δεν ισχύει εάν ο τύπος του μοντέλου ή ο σειριακός αριθμός του προϊόντος έχει αλλοιωθεί, διαγραφεί, αφαιρεθεί ή καταστεί δυσανάγνωστος.
2. Για να αποφευχθεί βλάβη ή απώλεια/ διαγραφή σε αφαιρούμενα ή αποσπώμενα μέσα ή εξαρτήματα αποθήκευσης δεδομένων, οφείλτε να τα αφαιρέσετε πριν παραδώσετε το προϊόν σας για επίσκεψη κατά την περίοδο εγγύησης.
3. Η παρούσα εγγύηση δεν καλύπτει τα έξοδα και τους κινδύνους μεταφοράς που συνδέονται με τη μεταφορά του προϊόντος σας προς και από τη Sony ή μέλος του δικτύου ASN.
4. Η παρούσα εγγύηση δεν καλύπτει τα εξής:
 - Περιοδική συντήρηση και επίσκεψη ή αντικατάσταση εξαρτημάτων ως αποτέλεσμα φυσιολογικής φθοράς.
 - Αναλώσιμα (στατικά μέρη για τα οποία προβλέπεται περιοδική αντικατάσταση κατά τη διάρκεια ζωής ενός προϊόντος όπως μη επαναφορτιζόμενες μπαταρίες, φωτιγία εκτύπωσης, γραφίδες, λάμπες, κλπ.).
 - Ζημιά ή ελαττώματα που προκλήθηκαν λόγω χρήσης, λειτουργίας ή χειρισμού ασάβητων με την κανονική ατομική ή οικιακή χρήση.
 - Ζημιές ή αλλαγές στο προϊόν που προκλήθηκαν από:
 - Κακή χρήση, συμπεριλαμβανομένου:
 - του χειρισμού που επιφέρει φυσική, αισθητική ή επιφανειακή ζημιά ή αλλαγές στο προϊόν ή βλάβη σε οθόνες υγρών κρυστάλλων
 - μη κανονική ή μη σύμφωνα με τις οδηγίες της Sony εγκατάσταση ή χρήση του προϊόντος
 - μη συντήρηση του προϊόντος σύμφωνα με τις οδηγίες σωστής συντήρησης της Sony
 - εγκατάσταση ή χρήση του προϊόντος με τρόπο μη σύμφωνα με τις τεχνικές προδιαγραφές και τα πρότυπα ασφαλείας που ισχύουν στη χώρα όπου έχει εγκατασταθεί ή χρησιμοποιείται το προϊόν.
 - Μολύνσεις από ιούς ή χρήση του προϊόντος με λογισμικό που δεν παρέχεται με το προϊόν ή λανθασμένη εγκατάσταση του λογισμικού.
 - Την κατάσταση ή τα ελαττώματα των συστημάτων με τα οποία χρησιμοποιείται ή στα οποία ενσωματώνεται το προϊόν εκτός από άλλα προϊόντα της Sony ειδικά σχεδιασμένα για να χρησιμοποιούνται με το εν λόγω προϊόν.
 - Χρήση του προϊόντος με εξαρτήματα, περιφερειακό εξοπλισμό και άλλα προϊόντα των οποίων ο τύπος, η κατάσταση και το πρότυπο δεν συνιστώνται από τη Sony.
 - Επίσκεψη ή επιχειρηθείσα επίσκεψη από άτομα που δεν είναι μέλη της Sony ή του δικτύου ASN.

- Ρυθμίσεις ή προσαρμογές χωρίς την προηγούμενη γραπτή συνακόμηση της Sony, στις οποίες συμπεριλαμβάνονται:
 - η αναβάθμιση του προϊόντος πέρα από τις προδιαγραφές ή τα χαρακτηριστικά που περιγράφονται στο χειρίδιο χρήσης ή
 - οι τροποποιήσεις του προϊόντος με σκοπό να συμμορφωθεί προς εθνικές ή τοπικές τεχνικές προδιαγραφές και πρότυπα ασφαλείας που ισχύουν σε χώρες για τις οποίες το προϊόν δεν είχε σχεδιαστεί και κατασκευαστεί ειδικά.
- Αμέλεια.
- Ατυχήματα, πυρκαγιά, υγρά, χημικές ή άλλες ουσίες, πηλήμυρα, δονήσεις, υπερβολική θερμότητα, ακατάλληλο εξερισμό, υπέρταση, υπερβολική ή εσφαλμένη τροφοδοσία ή τάση εισόδου, ακτινοβολία, ηλεκτροστατικές εκκενώσεις συμπεριλαμβανομένου του κεραυνού, άλλων εξωτερικών δυνάμεων και επιδράσεων.

5. Η παρούσα εγγύηση καλύπτει μόνο τα υλικά μέρη του προϊόντος. Δεν καλύπτει το λογισμικό (είτε της Sony, είτε τρίτων κατασκευαστών) για το οποίο παρέχεται ή πρόκειται να ισχύσει με άδεια χρήσης από τον τελικό χρήστη ή χωριστές δηλώσεις εγγύησης ή εξαιρέσεις από την εγγύηση.

Εξαιρέσεις και περιορισμοί

Με εξαίρεση των όσων αναφέρονται ανωτέρω, η Sony δεν παρέχει καμία εγγύηση (ρητή, σιωπηρή, εκ του νόμου ή άλλη) όσον αφορά την ποιότητα, την επίδοση, την ακρίβεια, την αξιοπιστία, την καταλληλότητα του προϊόντος ή του λογισμικού που παρέχεται ή συνοδεύει το προϊόν, για συγκεκριμένο σκοπό. Εάν η ισχύουσα νομοθεσία απαγορεύει πλήρως ή μερικώς την παρούσα εξαίρεση, η Sony εξαιρεί ή περιορίζει την εγγύησή της μόνο στη μέγιστη έκταση που επιτρέπει η ισχύουσα νομοθεσία. Οποιαδήποτε εγγύηση η οποία δεν εξαιρείται πλήρως (στο μέτρο που το επιτρέπει ο ισχύων νόμος) θα περιορίζεται στη διάρκεια ισχύος της παρούσας εγγύησης.

Η μοναδική υποχρέωση της Sony σύμφωνα με την παρούσα εγγύηση είναι η επίσκεψη ή η αντικατάσταση προϊόντων που υπόκεινται στους όρους και συνθήκες της εγγύησης. Η Sony δεν ευθύνεται για οποιαδήποτε απώλεια ή ζημιά που σχετίζεται με τα προϊόντα, το σέρβις, την παρούσα εγγύηση, συμπεριλαμβανομένων των οικονομικών και άυλων απωλειών – του τμήματος που καταβλήθηκε για την αγορά του προϊόντος – της απώλειας κερδών, εισοδήματος, δεδομένων, απώλειας ή χρήσης του προϊόντος ή οποιουδήποτε συνδεδεμένου προϊόντων – της άμεσης, παρεμπιπτόουσας ή επακόλουθης απώλειας ή ζημίας ακόμη και αν αυτή η απώλεια ή ζημιά αφορά σε:

- Μειωμένη λειτουργία ή μη λειτουργία του προϊόντος ή συνδεδεμένων προϊόντων λόγω ελαττωμάτων ή μη διαθεσιμότητας κατά την περίοδο που αυτό βρίσκεται στη Sony ή σε μέλος του δικτύου ASN, η οποία προκάλεσε διακοπή διαθεσιμότητας του προϊόντος, απώλεια χρόνου χρήστη ή διακοπή της εργασίας.
- Παροχή ανακριβών πληροφοριών που ζητήθηκαν από το προϊόν ή από συνδεδεμένα προϊόντα.
- Ζημιά ή απώλεια λογισμικών προγραμμάτων ή αφαιρούμενων μέσων αποθήκευσης δεδομένων ή
- Μολύνσεις από ιούς ή άλλες αιτίες.

Τα ανωτέρω ισχύουν για απώλειες και ζημιές, που υπόκεινται σε οποιοδήποτε γενικές αρχές δικαίου, συμπεριλαμβανομένης της αμέλειας ή άλλων αδικπραξιών, αθέτησης σύμβασης, ρητής ή σιωπηρής εγγύησης, και απόλυτης ευθύνης (ακόμα και για θέματα για τα οποία η Sony ή μέλος του δικτύου ASN έχει ειδοποιηθεί για τη δυνατότητα πρόκλησης τέτοιων ζημιών).

Στο μέτρο που η ισχύουσα νομοθεσία απαγορεύει ή περιορίζει αυτές τις εξαιρέσεις ευθύνης, η Sony εξαιρεί ή περιορίζει την ευθύνη της μόνο στη μέγιστη έκταση που της επιτρέπει η ισχύουσα νομοθεσία. Για παράδειγμα, μερικά κράτη απαγορεύουν την εξαίρεση ή τον περιορισμό ζημιών που οφείλονται σε αμέλεια, σε βαριά αμέλεια, σε εκ προθέσεως παράπτωμα, σε δόλο και παρόμοιες πράξεις. Σε καμία περίπτωση, η ευθύνη της Sony κατά την παρούσα εγγύηση, δεν υπερβαίνει την τιμή που καταβλήθηκε για την αγορά του προϊόντος, ωστόσο αν η ισχύουσα νομοθεσία επιτρέπει μόνο περιορισμούς ευθύνης υψηλότερου βαθμού, θα ισχύουν οι τελευταίοι.

Τα επιφύλασσόμενα νόμιμα δικαιώματά σας

Ο καταναλωτής έχει έναντι της Sony τα δικαιώματα που απορρέουν από την παρούσα εγγύηση, σύμφωνα με τους όρους που περιέχονται σε αυτήν, χωρίς να παραβλάπτονται τα δικαιώματά του που πηγάζουν από την ισχύουσα εθνική νομοθεσία σχετικά με την πώληση καταναλωτικών προϊόντων. Η παρούσα εγγύηση δεν θίγει τα νόμιμα δικαιώματα που ενδεχομένως να έχετε, ούτε εκείνα που δεν μπορούν να εξαιρεθούν ή να περιοριστούν, ούτε δικαιώματά σας εναντίον των προσώπων από τα οποία αγοράσατε το προϊόν. Η διεκδίκηση οποιωνδήποτε δικαιωμάτων σας εναντίον της αποκλειστικά σε εσάς.

SONY EUROPE LIMITED, δ.τ. SONY HELLAS

Βασιλίσσης Σοφίας 1,
15124 Μαρούσι,
Ελλάδα

Τμήμα Εξυπηρέτησης Καταναλωτών Sony

e-mail : cic-greece@eu.sony.com

Τηλέφωνο:

Για Ελλάδα

• 00800 4412 1496 (για κλήσεις από σταθερό τηλέφωνο - άνευ χρέωσης)

• 211 1980 703 (για κλήσεις από κινητό τηλέφωνο - με την τυπική χρέωση κλήσης από σταθερό σε κινητό)

Για Κύπρο

• 800 91150 (για κλήσεις τόσο από σταθερό όσο και από κινητό - άνευ χρέωσης)

ΣΗΜΑΝΤΙΚΗ ΣΗΜΕΙΩΣΗ

Αυτό το προϊόν έχει κατασκευαστεί από ή για λογαριασμό της Sony Corporation, 1-7-1 Konan Minato-ku Tōkyo, 108-0075 Ιαπωνία. Ερωτήσεις σχετικά με την συμμόρφωση του προϊόντος ως προς τη νομοθεσία της Ευρωπαϊκής Ένωσης θα πρέπει να απευθύνονται στον εξουσιοδοτημένο εκπρόσωπο Sony Deutschland GmbH, Hedelfinger Strasse 61, 70327 Stuttgart, Γερμανία. Για οποιοδήποτε θέμα υποστήριξης ή εγγύησης του προϊόντος, παρακαλώ ανατρέξτε στις διευθύνσεις που παρέχονται στα ειδικά έγγραφα υποστήριξης ή εγγύησης.

Σημείωση για το Ασύρματο σήμα

Με την παρούσα, η Sony Corporation δηλώνει ότι αυτό το προϊόν συμμορφώνεται προς τις ουσιαστικές απαιτήσεις και τις λοιπές σχετικές διατάξεις της οδηγίας 1999/5/ΕΚ.

Για λεπτομέρειες, παρακαλούμε όπως ελέγξετε την ακόλουθη σελίδα του διαδικτύου:
<http://www.compliance.sony.de/>

Σημείωση για τους πελάτες: οι παρακάτω πληροφορίες αφορούν μόνο εξοπλισμό που πωλείται σε χώρες όπου ισχύουν οι οδηγίες της E.E.

Το ασύρματο σύστημα τηλεόρασης μπορεί να χρησιμοποιηθεί στις παρακάτω χώρες:

AT, BE, HR, CY, CZ, DK, EE, FI, FR, DE, GR, HU, IE, IT, LV, LT, LU, MT, NL, PL, PT, SK, SI, ES, SE, GB, IS, LI, NO, CH, BG, RO, TR, AL, BA, MK, MD, RS, ME

Ο εξοπλισμός μπορεί να χρησιμοποιηθεί σε άλλες χώρες εκτός της Ευρώπης.

Πληροφορίες σχετικά με την ασφάλεια

ΠΡΟΕΙΔΟΠΟΙΗΣΗ

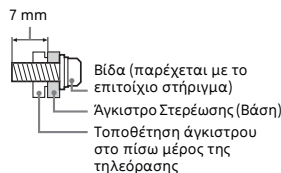
Οι μπαταρίες δεν θα πρέπει να εκτίθενται σε υπερβολική θερμότητα, π.χ. στο φως του ήλιου, φωτιά ή παρόμοια κατάσταση.

Εγκατάσταση/Ρύθμιση

Προκειμένου να αποφύγετε τυχόν κινδύνους πυρκαϊγής, ηλεκτροπληξίας ή ζημιάς ή/και τραυματισμών, εγκαταστήστε και χρησιμοποιήστε την τηλεόραση σύμφωνα με τις παρακάτω οδηγίες.

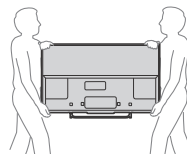
Εγκατάσταση

- Η τηλεόραση πρέπει να εγκατασταθεί κοντά σε παροχή ρεύματος εύκολα προσβάσιμη.
- Τοποθετήστε την τηλεόραση σε μια σταθερή, επίπεδη επιφάνεια, ώστε να αποφευχθεί πτώση και προσωπικός τραυματισμός ή βλάβη της τηλεόρασης.
- Η εγκατάσταση στον τοίχο πρέπει να πραγματοποιείται μόνο από εξειδικευμένο προσωπικό.
- Για λόγους ασφαλείας, συστήνεται η χρήση των εξαρτημάτων της Sony, μεταξύ των οποίων περιλαμβάνονται:
 - Επιτοίχια Βάση
- Βεβαιωθείτε ότι χρησιμοποιείτε τις βίδες που παρέχονται με την Επιτοίχια Βάση όταν τοποθετείτε τα αγκίστρα στερέωσης (βάση) στην τηλεόραση. Οι βίδες που παρέχονται έχουν σχεδιαστεί, έτσι ώστε να έχουν τις διαστάσεις που υποδεικνύονται στην εικόνα, όταν τις μετρήσουμε από την επιφάνεια στερέωσης του αγκίστρου στερέωσης (βάση). Η διάμετρος και το μήκος των βιδών διαφέρουν ανάλογα με το μοντέλο του επιτοίχιου στηρίγματος. Η χρήση διαφορετικών βιδών από αυτές που παρέχονται μπορεί να προκαλέσει εσωτερική ζημιά στην τηλεόραση ή μπορεί να πέσει, κλπ.



Μεταφορά

- Προτού μεταφέρετε την τηλεόραση, αποσυνδέστε όλα τα καλώδια.
- Για τη μεταφορά μιας μεγάλης τηλεόρασης χρειάζονται δύο ή τρία άτομα.
- Όταν μεταφέρετε την τηλεόραση με τα χέρια, να την κρατάτε όπως φαίνεται παρακάτω. Μην ασκείτε πίεση στην οθόνη LCD και στο πλαίσιο που περιβάλλει την οθόνη.



- Κατά τη μεταφορά, μην υποβάλλετε την τηλεόραση σε χτυπήματα ή υπερβολικούς κραδασμούς.
- Όταν μεταφέρετε την τηλεόραση για επισκευή ή όταν την μεταφέρετε σε άλλο χώρο, συσκευάστε την χρησιμοποιώντας το αρχικό χαρτόκουτο και τα υλικά συσκευασίας.

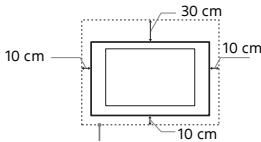
Αποτροπή ανατροπής

- Πριν από την εγκατάσταση της σιδερόβιδας, ακουμπήστε την τηλεόραση με την οθόνη προς τα κάτω πάνω σε μια σταθερή επιφάνεια εργασίας που να είναι μεγαλύτερη από την τηλεόραση.
- Για την αποφυγή πρόκλησης φθοράς στην επιφάνεια της οθόνης LCD, τοποθετήστε ένα μαλακό πανί πάνω στην επιφάνεια εργασίας.

Εξαερισμός

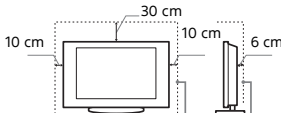
- Μην καλύπτετε ποτέ τις οπές αερισμού του περιβλήματος και μην εισάγετε οτιδήποτε στο εσωτερικό του περιβλήματος.
- Αφήστε χώρο γύρω από την τηλεόραση όπως φαίνεται παρακάτω.
- Συνιστάται θερμά η χρήση του στηρίγματος τοίχου της Sony ώστε να είναι δυνατή η επαρκής κυκλοφορία του αέρα στην τηλεόραση.

Εγκατάσταση στον τοίχο



Αφήστε τουλάχιστον αυτό το κενό γύρω από την τηλεόραση.

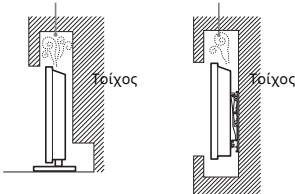
Εγκατάσταση με βάση



Αφήστε τουλάχιστον αυτό το κενό γύρω από την τηλεόραση.

- Για να εξασφαλίσετε τον κατάλληλο εξαερισμό και για να αποφευχθεί η συσσώρευση ακαθαρσιών ή σκόνης:
 - Μην τοποθετείτε την τηλεόραση σε οριζόντια θέση (με την οθόνη προς τα πάνω ή προς τα κάτω), αναποδογυρισμένη ή στο πλάι.
 - Μην τοποθετείτε την τηλεόραση πάνω σε ράφι, χαλί, κρεβάτι ή μέσα σε ντουλάπα.
 - Μην καλύπτετε την τηλεόραση με υφάσματα όπως κουρτίνες, ή αντικείμενα όπως εφημερίδες, κλπ.
 - Μην τοποθετείτε την τηλεόραση όπως φαίνεται παρακάτω.

Η κυκλοφορία του αέρα έχει μπλοκαριστεί.



Καλώδιο τροφοδοσίας

Προκειμένου να αποφύγετε τυχόν κινδύνους πυρκαγιάς, ηλεκτροπληξίας ή ζημιών ή/και τραυματισμών, χρησιμοποιήστε το καλώδιο τροφοδοσίας και την πρίζα ως εξής:

- Χρησιμοποιήστε μόνο το καλώδιο τροφοδοσίας που παρέχεται από τη Sony, όχι από άλλους κατασκευαστές.
- Τοποθετήστε το φις στην πρίζα μέχρι να εισέλθει τελείως.
- Λειτουργήστε την τηλεόραση μόνο με παροχή ρεύματος 220-240 V AC.
- Κατά την πραγματοποίηση της καλωδίωσης, βεβαιωθείτε ότι αποσυνδέσατε το καλώδιο τροφοδοσίας για την ασφάλειά σας και προσέξτε μην μπλεχθούν τα πόδια σας στα καλώδια.
- Προτού προβείτε σε οποιαδήποτε εργασία που αφορά στην τηλεόρασή σας και πριν τη μετακινήσετε, αποσυνδέστε το φις του καλωδίου τροφοδοσίας από την πρίζα.
- Κρατήστε το καλώδιο τροφοδοσίας μακριά από πηγές θερμότητας.
- Αποσυνδέστε το φις και καθαρίζετε το τακτικά. Εάν το φις καλυφθεί με σκόνη και μαζέψει υγρασία, μπορεί να μειωθεί η ποιότητα της μόνωσης και να προκληθεί πυρκαγιά.

Σημείωση

- Μη χρησιμοποιείτε το παρεχόμενο καλώδιο τροφοδοσίας σε οποιαδήποτε άλλη συσκευή.
- Μην τρυπάτε, λυγίζετε ή συστρέφετε πολύ το καλώδιο τροφοδοσίας. Οι αγωγοί του πυρήνα μπορεί να απογυμνωθούν ή να σπάσουν.
- Μην τροποποιείτε το καλώδιο τροφοδοσίας.
- Μην τοποθετήσετε οποιοδήποτε βαρύ αντικείμενο πάνω στο καλώδιο τροφοδοσίας.
- Για να αποσυνδέσετε το καλώδιο τροφοδοσίας από την πρίζα, μην τραβήξετε το ίδιο το καλώδιο.
- Μην συνδέετε πολλές συσκευές στην ίδια πρίζα.
- Μην χρησιμοποιείτε πρίζες με κακή εφαρμογή.

ΣΗΜΕΙΩΣΗ ΣΧΕΤΙΚΑ ΜΕ ΤΟ ΜΕΤΑΣΧΗΜΑΤΙΣΤΗ ΚΕΝΤΡΙΚΗΣ ΠΑΡΟΧΗΣ

Προειδοποίηση

- Για να περιοριστεί τον κίνδυνο πυρκαγιάς ή ηλεκτροπληξίας, μην αφήνετε αυτήν τη συσκευή εκτεθειμένη σε βροχή ή υγρασία. Για να αποφύγετε τον κίνδυνο ηλεκτροπληξίας, μην τοποθετείτε δοχεία νερά με υγρό, όπως για παράδειγμα ανθοδοχεία, πάνω στη συσκευή. Μην τοποθετείτε αυτήν τη συσκευή σε περιορισμένες επιφάνειες, για παράδειγμα σε ράφια ή παρόμοιες μονάδες.
- Βεβαιωθείτε ότι η πρίζα ρεύματος βρίσκεται κοντά στη συσκευή και ότι είναι εύκολα προσβάσιμη.
 - Χρησιμοποιήστε απαραίτητως το μετασχηματιστή κεντρικής παροχής και το καλώδιο ρεύματος που παρέχονται.
 - Μην χρησιμοποιήσετε κανέναν άλλο μετασχηματιστή κεντρικής παροχής. Ενδέχεται να προκληθεί δυσλειτουργία.
 - Συνδέστε το μετασχηματιστή κεντρικής παροχής σε μια εύκολα προσβάσιμη πρίζα.
 - Μην τυλίγετε το καλώδιο ρεύματος γύρω από το μετασχηματιστή κεντρικής παροχής. Το κεντρικό σύρμα του καλωδίου ενδέχεται να κοπεί ή/και να προκληθεί δυσλειτουργία στο δέκτη πολυμέσων.
 - Μην αγγίζετε το μετασχηματιστή κεντρικής παροχής με βρεγμένα χέρια.
 - Εάν παρατηρήσετε μη ομαλή λειτουργία του μετασχηματιστή κεντρικής παροχής, αποσυνδέστε τον από την πρίζα αμέσως.
 - Η συσκευή δεν αποσυνδέεται από την κεντρική παροχή όσο παραμένει συνδεδεμένη στην πρίζα, ακόμα κι αν η συσκευή είναι απενεργοποιημένη.
 - Επειδή η θερμοκρασία του μετασχηματιστή κεντρικής παροχής αυξάνεται όταν χρησιμοποιείται για μεγάλο χρονικό διάστημα, ενδέχεται να αισθανθείτε τη θερμότητα όταν τον αγγίζετε με τα χέρια σας.



Περιορισμοί στη χρήση

Για να αποφευχθούν δυσλειτουργίες και πρόκληση πυρκαγιάς, ηλεκτροπληξίας, ζημιών ή/και τραυματισμών, μην τοποθετείτε/χρησιμοποιείτε την τηλεόραση σε θέσεις, περιβάλλοντα ή συνθήκες όπως αυτές που παρατίθενται στη συνέχεια.

Τοποθεσία:

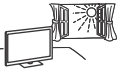
- Σε εξωτερικούς χώρους (απευθείας στο ηλιακό φως), ακτές, πλοία ή άλλα σκάφη, μέσα σε οχήματα, σε νοσοκομεία, σε μη σταθερές επιφάνειες, κοντά σε νερό, βροχή, υγρασία ή καπνό.
- Εάν η τηλεόραση τοποθετηθεί στα αποδυτήρια δημόσιων λουτρών ή ιαματικών πηγών, ενδέχεται να υποστεί βλάβη από το θείο που εκλύεται στον αέρα κλπ.
- Για να έχετε άριστη ποιότητα εικόνας, μην εκθέτετε την οθόνη σε απευθείας φωτισμό ή ηλιακή ακτινοβολία.
- Αποφύγετε τη μετακίνηση της τηλεόρασης από ένα ψυχρό σε ένα θερμό μέρος. Οι ξαφνικές αλλαγές της θερμοκρασίας δωματίου ενδέχεται να προκαλέσουν συμπύκνωση υγρασίας. Αυτό πιθανόν να οδηγήσει σε προβολή χαμηλής ποιότητας εικόνας και χρώματος από την τηλεόραση. Αν συμβεί αυτό, αφήστε την υγρασία να εξατμιστεί εντελώς πριν ενεργοποιήσετε την τηλεόραση.



GR

Περιβάλλον:

- Σε μέρη που είναι ζεστά, υγρά ή υπερβολικά σκοτισμένα· σε μέρη όπου μπορούν να εισέλθουν έντομα· σε μέρη όπου ενδέχεται να εκτεθεί σε μηχανικές δονήσεις, κοντά σε εύφλεκτα αντικείμενα (κεριά, κλπ.). Η τηλεόραση δεν πρέπει να εκτίθεται σε σταλαγματίες ή πιτσιλιόματα και μην τοποθετείτε πάνω στην τηλεόραση αντικείμενα που περιέχουν υγρά, όπως για παράδειγμα βάζα.
- Μην τοποθετείτε την τηλεόραση σε χώρο με υγρασία ή σκόνη ή σε ένα δωμάτιο με ελαιώδες νέφος ή υδρατμούς (κοντά σε πάγκους κουζίνας ή σε υφραντήρες). Ενδέχεται να προκληθεί πυρκαγιά, ηλεκτροπληξία ή παραμόρφωση.
- Μην τοποθετείτε την τηλεόραση σε μέρη που υπόκεινται σε ακραίες θερμοκρασίες όπως, για παράδειγμα, σε σημεία που εκτίθενται σε άμεσο ηλιακό φως, κοντά σε καλοριφέρ ή συσκευές θέρμανσης. Σε τέτοιες συνθήκες η τηλεόραση μπορεί να υπερθερμανθεί, κάτι που μπορεί να προκαλέσει παραμόρφωση του περιβλήματος ή/και δυσλειτουργία της τηλεόρασης.



Συνθήκες:

- Μην χρησιμοποιείτε την τηλεόραση με βρεγμένα χέρια, όταν έχετε αφαιρέσει το περίβλημα ή με εξαρτήματα που δε συνιστώνται από τον κατασκευαστή. Κατά τη διάρκεια καταιγίδων με κεραυνούς αποσυνδέετε την τηλεόραση από την πρίζα ρεύματος και από την κεραία.
- Μην τοποθετείτε την τηλεόραση έτσι ώστε να προεξέχει σε ανοιχτό χώρο. Ενδέχεται να προκληθεί τραυματισμός ή ζημιά, εάν ένα άτομο ή αντικείμενο προσκρούσει στην τηλεόραση.



Θραύσματα:

- Μην πετάτε οτιδήποτε στην τηλεόραση. Από την πρόσκρουση μπορεί να σπάσει το γυαλί της οθόνης και να προκληθεί σοβαρός τραυματισμός.
- Εάν η επιφάνεια της τηλεόρασης ραγίσει, μην την ακουμπήσετε μέχρι να αποσυνδέσετε το καλώδιο τροφοδοσίας. Σε αντίθετη περίπτωση, μπορεί να προκληθεί ηλεκτροπληξία.

Όταν δεν χρησιμοποιείται

- Εάν πρόκειται να μη χρησιμοποιήσετε την τηλεόραση για αρκετές ημέρες, θα πρέπει να την αποσυνδέσετε από την παροχή ρεύματος για λόγους περιβαλλοντικούς και ασφάλειας.
- Μετά την απενεργοποίηση της τηλεόρασης, η τηλεόραση δεν έχει αποσυνδεθεί από την παροχή ρεύματος. Για να την αποσυνδέσετε εντελώς, τραβήξτε το φως από την πρίζα.
- Παρόλα αυτά κάποια μοντέλα τηλεοράσεων πρέπει να παραμείνουν σε κατάσταση αναμονής για να εξασφαλίζεται η ουστή λειτουργία τους.

Για τα παιδιά

- Μην επιτρέπετε στα παιδιά να σκαρφαλώνουν πάνω στην τηλεόραση.
- Κρατήστε τα μικρά εξαρτήματα μακριά από παιδιά, ώστε να μην υπάρχει κίνδυνος να τα καταπιούν κατά λάθος.

Εάν συμβεί το ακόλουθο πρόβλημα...

Εάν συμβεί οποιοδήποτε από τα παρακάτω προβλήματα, **απενεργοποιήστε** την τηλεόραση και αποσυνδέστε το καλώδιο τροφοδοσίας. Απευθυνθείτε στο κατάστημα πώλησης ή στο σέρβις της Sony ώστε να γίνει έλεγχος από το εξουσιοδοτημένο σέρβις.

Όταν:

- Το καλώδιο τροφοδοσίας έχει υποστεί ζημιά.
- Η πρίζα εμφανίζει κακή εφαρμογή.
- Η τηλεόραση έχει υποστεί ζημιά από πτώση, χτύπημα ή πέσιμο αντικείμενου επάνω σε αυτή.
- Κάποιο υγρό ή αντικείμενο πέσει μέσω των ανοιγμάτων μέσα στο εσωτερικό του περιβλήματος.

Σχετικά με τη θερμοκρασία της οθόνης LCD

Όταν η οθόνη LCD χρησιμοποιείται για μεγάλο χρονικό διάστημα, το περίβλλον τμήμα του πλαισίου θερμαίνεται. Μπορεί να αισθανθείτε τη θερμότητα εάν αγγίξετε τη συγκεκριμένη περιοχή με τα χέρια σας.

ΕΠΙΤΟΙΧΙΑ ΒΑΣΗ

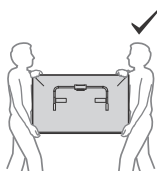
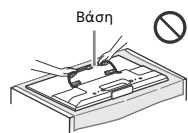
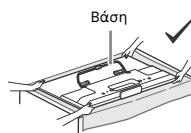
Οι παρακάτω πληροφορίες υποδεικνύουν το σωστό χειρισμό της Επιτοίχιας βάσης. Διαβάστε αυτές τις πληροφορίες σχολαστικά και χρησιμοποιήστε σωστά την Επιτοίχια βάση.

Προς τους πελάτες:

- Θυρείτε τις ακόλουθες προφυλάξεις ασφαλείας για την αποτροπή πρόκλησης σοβαρού τραυματισμού εξαιτίας πυρκαγιάς, ηλεκτροπληξίας, ανατροπής ή πτώσης του προϊόντος.
- Φροντίστε να αναθέσετε την εγκατάσταση σε εξουσιοδοτημένους τεχνικούς και κρατήστε μακριά τα μικρά παιδιά κατά τη διαδικασία της εγκατάστασης.
 - Αναθέστε τη μεταφορά ή την αφαίρεση της τηλεόρασης σε εξουσιοδοτημένους τεχνικούς.
 - Μην αφαιρείτε βίδες και άλλα εξαρτήματα μετά από την τοποθέτηση της τηλεόρασης.
 - Μην τροποποιείτε τα εξαρτήματα της Επιτοίχιας βάσης.
 - Μην τοποθετείτε άλλον εξοπλισμό εκτός από τον καθορισμένο προϊόν.
 - Μην τοποθετείτε άλλα φορτία εκτός της τηλεόρασης στην Επιτοίχια βάση.
 - Μην στρίψετε και μην κρέμετε από την τηλεόραση.
 - Μην ασκείτε υπερβολική δύναμη στην τηλεόραση κατά τον καθαρισμό ή τη συντήρηση.

Προς τους αντιπροσώπους και τους τεχνικούς της Sony:

- Οι ακόλουθες οδηγίες προορίζονται αποκλειστικά για τους αντιπροσώπους και τους τεχνικούς της Sony. Διαβάστε τις προφυλάξεις ασφαλείας που περιγράφονται παρακάτω και δώστε ιδιαίτερη προσοχή στην ασφάλεια κατά την εγκατάσταση, τη συντήρηση και τον έλεγχο αυτού του προϊόντος.
- Κατά το χειρισμό ή την τοποθέτηση της τηλεόρασης, να την κρατάτε από τα πλάγια. Μην σηκώνετε την τηλεόραση από τη Βάση.



- Μην εγκαθιστάτε την Επιτοίχια Βάση σε επιφάνειες τοίχου όπου οι γωνίες ή η πλευρά της τηλεόρασης θα προεξέχουν από την επιφάνεια του τοίχου.



- Μην εγκαθιστάτε την τηλεόραση πάνω ή κάτω από κλιματιστικά.
- Εγκαταστήστε την Επι τοίχια Βάση στον τοίχο με ασφάλεια, ακολουθώντας τις οδηγίες που περιγράφονται σε αυτό το εγχειρίδιο οδηγιών. Αν κάποια από τις βίδες χαλαρώσει ή ξεβιδωθεί, η Επι τοίχια Βάση μπορεί να πέσει και να προκληθεί τραυματισμός ή υλικές ζημιές.
- Χρησιμοποιήστε σωστά τις βίδες και τα εξαρτήματα προσάρτησης που παρέχονται, ακολουθώντας τις οδηγίες που περιγράφονται σε αυτό το εγχειρίδιο οδηγιών. Εάν χρησιμοποιήσετε υποκατάστατα εξαρτήματα, ενδέχεται να προκληθεί πτώση της τηλεόρασης με συνέπεια τραυματισμός ή υλικές ζημιές στην τηλεόραση.
- Συνδέστε σωστά τη βάση, ακολουθώντας τη διαδικασία που περιγράφεται στο παρόν εγχειρίδιο οδηγιών.
- Σφίξτε καλά τις βίδες στην καθορισμένη θέση.
- Προσέξτε να μην υποβάλετε την τηλεόραση σε κραδασμούς κατά την εγκατάσταση.



- Εγκαταστήστε την τηλεόραση σε τοίχο που είναι κατακόρυφος προς το δάπεδο και επίπεδος.
- Αφού εγκαταστήσετε σωστά την τηλεόραση, ασφαλίστε καταλλήλως τα καλώδια.
- Προσέξτε να μην πιατεί πουθενά το καλώδιο ρεύματος ή τα καλώδια σύνδεσης, καθώς οι εσωτερικοί ανγωγοί ενδέχεται να εκτεθούν και να προκληθεί βραχυκύκλωμα ή διακοπή ρεύματος.



Προφυλάξεις

Παρακολούθηση τηλεόρασης

- Ορισμένα άτομα ενδέχεται να νιώσουν δυσφορία (όπως π.χ. καταπόνηση των ματιών, κόπωση ή ναυτία) κατά την παρακολούθηση εικόνων βίντεο 3D ή ενώ παίζουν στερεοσκοπικά παιχνίδια 3D. Η Sony συνιστά σε όλους τους χρήστες να κάνουν συχνά διαλείμματα κατά την παρακολούθηση εικόνων βίντεο 3D ή ενώ παίζουν στερεοσκοπικά παιχνίδια 3D. Η διάρκεια και η συχνότητα των απαραίτητων διαλειμάτων διαφέρει από άτομο σε άτομο. Θα πρέπει να αποφασίσετε τι είναι κατάλληλο για εσάς. Αν αισθανθείτε δυσφορία οποιαδήποτε φάσεως, θα πρέπει να σταματήσετε να παρακολουθείτε εικόνες βίντεο 3D ή να παίζετε στερεοσκοπικά παιχνίδια 3D μέχρι να νιώσετε καλύτερα. Συμβουλευτείτε έναν γιατρό αν το θεωρείτε απαραίτητο. Επίσης, θα πρέπει να εξετάσετε (i) το εγχειρίδιο οδηγιών οποιασδήποτε άλλης συσκευής ή μέσου που χρησιμοποιείτε με αυτήν την τηλεόραση και (ii) την τοποθεσία μας στο Web (<http://support.sony-europe.com/>) για νεότερες πληροφορίες. Η όραση των μικρών παιδιών (ιδιαίτερα αυτών που είναι κάτω από έξι ετών) αναπτύσσεται ακόμα. Συμβουλευτείτε το γιατρό σας (όπως έναν παιδίατρο ή έναν οφθαλμίατρο) προτού επιτρέψετε σε μικρά παιδιά να παρακολουθήσουν εικόνες βίντεο 3D ή να παίξουν στερεοσκοπικά παιχνίδια 3D. Τα μικρά παιδιά θα πρέπει να παρακολουθούνται από ενήλικες, οι οποίοι θα διασφαλίζουν ότι τηρούνται οι συστάσεις που αναφέρονται παραπάνω.
- Μην χρησιμοποιείτε, αποθηκεύετε ή αφήνετε τη μπαταρία κοντά σε φωτιά ή σε σημεία με υψηλή θερμοκρασία, π.χ. εκτεθειμένα σε άμεσο ηλιακό φως ή σε αμάξια παρκαρισμένα στον ήλιο.
- Κατά τη χρήση της λειτουργίας προμοιωμένου 3D, σημειώστε ότι η προβαλλόμενη εικόνα τροποποιείται σε σχέση με την αρχική, εξαιτίας της μετατροπής που γίνεται από αυτήν την τηλεόραση.
- Παρακολουθείτε την τηλεόραση με συνθήκες μέτριο φωτισμού, καθώς η παρακολούθηση της τηλεόρασης με συνθήκες χαμηλού φωτισμού ή για μεγάλα χρονικά διαστήματα μπορεί να κουράσει τα μάτια σας.
- Όταν χρησιμοποιείτε ακουστικά, αποφύγετε τη ρύθμιση της έντασης ήχου σε υψηλά επίπεδα καθώς κάτι τέτοιο μπορεί να σας προκαλέσει προβλήματα ακοής.

Οθόνη LCD

- Παρόλο που η οθόνη LCD (υγρών κρυστάλλων) κατασκευάζεται με τεχνολογία υψηλής ακρίβειας και διαθέτει ενεργά πίεζ 99,99% ή περισσότερο, υπάρχει η πιθανότητα να εμφανιστούν μόνιμα στην οθόνη LCD μερικές μούρες κουκίδες ή φωτεινά σημεία (κόκκινα, πράσινα ή μπλε). Αυτό αποτελεί ένα ενγενές χαρακτηριστικό των οθονών υγρών κρυστάλλων (LCD) και δεν υποδηλώνει δυσλειτουργία.
- Μη σπρώχνετε ή χαράσσετε το εμπρός φίλτρο, και μην τοποθετείτε αντικείμενα επάνω σε αυτή την τηλεόραση. Η εικόνα μπορεί να παρουσιάσει ανωμαλίες ή η οθόνη υγρών κρυστάλλων να υποστεί ζημιά.
- Εάν αυτή η τηλεόραση χρησιμοποιηθεί σε κρύο χώρο, υπάρχει περίπτωση να εμφανισθεί κηλίδα στην εικόνα ή η εικόνα να γίνει σκούρα. Αυτό δεν υποδηλώνει δυσλειτουργία. Αυτά τα φαινόμενα εξαφανίζονται καθώς αυξάνεται η θερμοκρασία.
- Υπάρχει η πιθανότητα εμφάνισης ειδώλου εικόνας στην οθόνη εάν προβάλλονται συνεχώς ακίνητες εικόνες. Το είδωλο εικόνας μπορεί να εξαφανιστεί μετά από κάποιο χρόνο.
- Η οθόνη και το περίβλημα ζεσταίνονται όταν η τηλεόραση βρίσκεται σε λειτουργία. Δεν πρόκειται για δυσλειτουργία.
- Η οθόνη LCD περιέχει μικρή ποσότητα υγρού κρυστάλλου. Για την απόρριψη τηρήστε τις τοπικές διατάξεις και κανονισμούς.

Χειρισμός και καθαρισμός της επιφάνειας της οθόνης/περιβλήματος της τηλεόρασης

Βεβαιωθείτε ότι αποσυνδέσατε από την πρίζα το συνδεδεμένο στην τηλεόραση καλώδιο παροχής ρεύματος πριν τον καθαρισμό.

Για να αποφύγετε την πρόκληση ζημιών στο υλικό ή στην επίστρωση της οθόνης, τηρήστε τις ακόλουθες προφυλάξεις.

- Για να αφαιρέσετε τη σκόνη από την επιφάνεια της οθόνης/περιβλήματος, σκουπίστε ελαφρά με ένα μαλακό πανί. Εάν η σκόνη παραμένει, σκουπίστε με ένα μαλακό πανί ελαφρά βρεγμένο σε διάλυμα ήπιου απορρυπαντικού.
- Ποτέ μην ψεκάζετε νερό ή απορρυπαντικό απευθείας πάνω στην τηλεόραση. Ενδέχεται να στάξει στο κάτω μέρος της οθόνης ή στα εξωτερικά τμήματα και να εισχωρήσει στην τηλεόραση, με αποτέλεσμα να προκληθεί βλάβη στην τηλεόραση.
- Μη χρησιμοποιήσετε ποτέ σφουγγαράκι, αλκαλικά/όξινα καθαριστικά, σκόνες καθαρισμού ή διαλυτικά όπως οιονόπνευμα, βενζίνη, διαλυτικά ή εντομοκτόνα. Η χρήση τέτοιων ουσιών ή η παρατεταμένη επαφή με λαστίχια ή υλικά από βινύλιο, μπορεί να προκαλέσει ζημιά στην επιφάνεια της οθόνης και στο υλικό του περιβλήματος.
- Συνιστάται περιοδικός καθαρισμός των ανοιγμάτων εξεραισμού με ηλεκτρική σκούπα για να διασφαλίζεται ο σωστός εξεραϊσμός.
- Όταν προσωμάζετε τη γωνία της τηλεόρασης, μετακινήστε την αργά ώστε να αποτρέψετε την ανατροπή της από την επιτραπέζια βάση της.

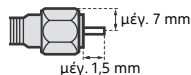


Προαιρετικές συσκευές

- Κρατήστε τα προαιρετικά εξαρτήματα ή άλλες συσκευές που εκπέμπουν ηλεκτρομαγνητική ακτινοβολία μακριά από την τηλεόραση. Διαφορετικά μπορεί να παρατηρηθεί παραμόρφωση της εικόνας ή/και ήχος με θόρυβο.
- Η συσκευή αυτή έχει ελεγχθεί και έχει βρεθεί ότι συμμορφώνεται με τα όρια που καθορίζονται από την οδηγία περί ηλεκτρομαγνητικής συμβατότητας όταν χρησιμοποιείται για τη σύνδεση καλώδιο σήματος μήκους μικρότερου από 3 μέτρα.

Σύσταση για το βύσμα τύπου F

Το εσωτερικό σύρμα δεν θα πρέπει να προεξέχει περισσότερο από 1,5 mm από το τμήμα της σύνδεσης.



(Σχέδιο αναφοράς για το βύσμα τύπου F)

Προφύλαξη σχετικά με το χειρισμό του τηλεχειριστηρίου

- Να τηρείτε τη σωστή πολιτικότητα κατά την τοποθέτηση των μπαταριών.
- Μη χρησιμοποιείτε διαφορετικούς τύπους μπαταριών μαζί ή μην ανακατεύετε τις παλιές με τις καινούργιες μπαταρίες.
- Να απορρίπτετε τις μπαταρίες, δείχνοντας σεβασμό στο περιβάλλον. Ορισμένες περιοχές ενδέχεται να έχουν κανονισμούς για την απόρριψη των μπαταριών. Συμβουλευθείτε τις τοπικές αρχές.
- Χρησιμοποιήστε το τηλεχειριστήριο με προσοχή. Μην το αφήνετε να πέφτει, μην το πατάτε και μη χύνετε υγρά οποιουδήποτε είδους πάνω του.
- Μην τοποθετείτε το τηλεχειριστήριο κοντά σε πηγές θερμότητας, σε θέση που να το βλέπει ο ήλιος ή σε δωμάτιο με υγρασία.

Ασύρματη λειτουργία της μονάδας

- Μην θέτετε σε λειτουργία την παρούσα συσκευή κοντά σε ιατρικό εξοπλισμό (βηματοδότες, κλπ.), καθώς ενδέχεται να προκύψει δυσλειτουργία του ιατρικού εξοπλισμού.
- Παρόλο που αυτή η μονάδα μεταδίδει/λαμβάνει κωδικογραφημένα σήματα, να είστε προσεκτικοί για μη εξουσιοδοτημένη υποκλοπή. Δεν φέρουμε καμία ευθύνη για πιθανά προβλήματα.

ΕΠΙΤΟΙΧΙΑ ΒΑΣΗ

- Εάν η τηλεόραση παραμείνει συνδεδεμένη στην Επιτοίχια Βάση για μεγάλο χρονικό διάστημα, η επιφάνεια του τοίχου πίσω ή επάνω από την τηλεόραση ενδέχεται να ξεθωιάσει ή η ταπετσαρία ενδέχεται να ξεκολλήσει, ανάλογα με το υλικό κατασκευής του τοίχου.
- Αν αφαιρέσετε την Επιτοίχια βάση αφού την εγκαταστήσετε στον τοίχο, οι σπές για τις βίδες θα παραμείνουν.
- Μην χρησιμοποιείτε την Επιτοίχια Βάση σε σημεία που υπόκεινται σε μηχανικούς κραδασμούς.

Απόρριψη της τηλεόρασης



Απόρριψη παλαιών ηλεκτρικών & ηλεκτρονικών συσκευών (Ισχύει στην Ευρωπαϊκή Ένωση και άλλες Ευρωπαϊκές χώρες με Εξχωριστά συστήματα αποκομιδής)

Το σύμβολο αυτό επάνω στο προϊόν ή στη συσκευασία του υποδεικνύει ότι το προϊόν αυτό δεν θα πρέπει να απορριπτεί μαζί με τα συνηθισμένα οικιακά απορρίμματα.

Αντίθετα θα πρέπει να παραδίδεται στο κατάλληλο σημείο αποκομιδής για την ανακύκλωση ηλεκτρικών και ηλεκτρονικών συσκευών. Εξασφαλίζοντας ότι το προϊόν αυτό απορρίπτεται σωστά, βοηθάτε να αποτραπούν όποιες αρνητικές επιπτώσεις στην ανθρώπινη υγεία και στο περιβάλλον που θα προέκυπταν από την μη κατάλληλη διαχείριση των αποβλήτων αυτού του προϊόντος. Η ανακύκλωση των υλικών βοηθά στην εξοικονόμηση των φυσικών πόρων. Για περισσότερες πληροφορίες σχετικά με την ανακύκλωση αυτού του προϊόντος, επικοινωνήστε με τις δημοτικές αρχές της περιοχής σας, με την υπηρεσία διάθεσης των οικιακών απορριμμάτων ή το κατάστημα από το οποίο αγοράσατε το προϊόν.



Εναλλακτική διαχείριση φορτηών ηλεκτρικών στηλών και συσσωρευτών (Ισχύει στην Ευρωπαϊκή Ένωση και άλλες Ευρωπαϊκές χώρες με Εξχωριστά συστήματα συλλογής)

Το σύμβολο αυτό επάνω στη μπαταρία ή στη συσκευασία δείχνει ότι η μπαταρία που παρέχεται με αυτό το προϊόν δεν πρέπει να αντιμετωπίζεται όπως τα οικιακά απορρίμματα. Σε ορισμένες μπαταρίες το σύμβολο αυτό μπορεί να χρησιμοποιηθεί σε συνδυασμό με ένα χημικό σύμβολο. Τα χημικά σύμβολα για τον υδράργυρο (Hg) ή τον μόλυβδο (Pb) προστίθενται αν η μπαταρία περιέχει περισσότερο από 0,0005% υδραργύρου ή 0,004% μολύβδου. Με το να βεβαιωθείτε ότι οι συγκεκριμένες μπαταρίες συλλέχτηκαν σωστά, βοηθάτε στην πρόληψη πιθανών αρνητικών επιπτώσεων στο περιβάλλον και την υγεία. Η ανακύκλωση των υλικών θα βοηθήσει στην εξοικονόμηση φυσικών πόρων. Στην περίπτωση προϊόντων που για λόγους ασφαλείας, επιδόσεων, ή ακεραιότητας δεδομένων απαιτούν τη μόνιμη σύνδεση με μια ενσωματωμένη μπαταρία, αυτή η μπαταρία θα πρέπει να αντικαθίσταται μόνο από εξουσιοδοτημένο τεχνικό προσωπικό. Για να εξασφαλίσετε την σωστή μεταχείριση της μπαταρίας, παραδώστε το προϊόν στο τέλος της διάρκειας ζωής ή στο κατάλληλο σημείο συλλογής ηλεκτρικού και ηλεκτρονικού εξοπλισμού για ανακύκλωση. Στην περίπτωση όλων των άλλων μπαταριών, παρακαλούμε δείτε το τμήμα που περιγράφει πώς να αφαιρέσετε με ασφάλεια τη μπαταρία από το προϊόν. Παραδώστε την μπαταρία στο κατάλληλο σημείο συλλογής των χρησιμοποιημένων μπαταριών για ανακύκλωση. Για περισσότερες πληροφορίες σχετικά με την ανακύκλωση αυτού του προϊόντος ή της μπαταρίας, παρακαλούμε επικοινωνήστε με τον αρμόδιο φορέα ανακύκλωσης ή το κατάστημα όπου αγοράσατε το προϊόν.

Εγκατάσταση της τηλεόρασης στον τοίχο

Προς τους πελάτες

Για την εγκατάσταση αυτού του προϊόντος απαιτείται επαρκής τεχνογνωσία. Αναθέστε την εγκατάσταση του προϊόντος σε αντιπροσώπους της Sony ή εξουσιοδοτημένους τεχνικούς και προσέξτε ιδιαίτερα τις προφυλάξεις ασφάλειας κατά τη διάρκεια της εγκατάστασης. Η Sony δεν φέρει ευθύνη για τυχόν ζημιές ή τραυματισμούς που οφείλονται σε κακό χειρισμό ή λανθασμένη εγκατάσταση ή εγκατάσταση προϊόντος άλλου από το καθορισμένο. Τα νόμιμα δικαιώματά σας (εάν υπάρχουν) δεν επηρεάζονται.

Προς τους αντιπροσώπους της Sony και τους τεχνικούς

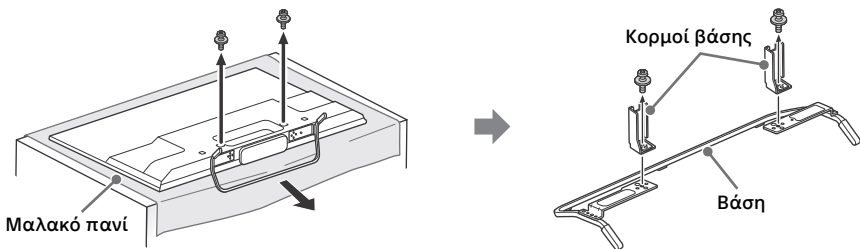
Για την εγκατάσταση αυτού του προϊόντος απαιτείται επαρκής τεχνογνωσία. Διαβάστε προσεκτικά το παρόν εγχειρίδιο οδηγιών, έτσι ώστε να εκτελέσετε τις εργασίες εγκατάστασης με ασφάλεια. Η Sony δεν φέρει ευθύνη για τυχόν ζημιές ή τραυματισμούς που οφείλονται σε κακό χειρισμό ή λανθασμένη εγκατάσταση.

Η Βάση επιτραπέζιας τοποθέτησης της τηλεόρασής σας θα χρησιμοποιηθεί ως μέρος της Επιτοίχιας βάσης.

Σημείωση

- Ανατρέξτε στη σελίδα 4 (Πληροφορίες σχετικά με την ασφάλεια) και στη σελίδα 7 (Προφυλάξεις) της ενότητας ΕΠΙΤΟΙΧΙΑ ΒΑΣΗ πριν από την εγκατάσταση της Επιτοίχιας βάσης.
- Αν η Βάση επιτραπέζιας τοποθέτησης είναι προσαρτημένη στην τηλεόραση, αφαιρέστε τη Βάση επιτραπέζιας τοποθέτησης εκ των προτέρων.
- Κατά την ασφάλιση της Βάσης ή κατά την αφαίρεση της Βάσης επιτραπέζιας τοποθέτησης από την τηλεόραση, τοποθετήστε την τηλεόραση με την οθόνη της στραμμένη προς τα κάτω σε μια επίπεδη και σταθερή επιφάνεια την οποία έχετε καλύψει με ένα παχύ και απαλό πανί που είναι μεγαλύτερο από την τηλεόραση, για να αποτρέψετε την πρόκληση φθοράς στην επιφάνεια της οθόνης LCD.
- Αν αφαιρέσετε τους κορμούς της βάσης από τη Βάση, φυλάξτε τους κορμούς της βάσης και τις βίδες σε ένα ασφαλές σημείο.
- Κατά την επανατοποθέτηση της Βάσης επιτραπέζιας τοποθέτησης, σφίξτε τις βίδες (που αφαιρέσατε προηγουμένως) στις αρχικές τρύπες στο πίσω μέρος της τηλεόρασης.
- Βεβαιωθείτε ότι η τηλεόραση είναι σε κατακόρυφη θέση προτού την ενεργοποιήσετε. Η τηλεόραση δεν πρέπει να ενεργοποιείται με την οθόνη LCD στραμμένη προς τα κάτω, για να αποφεύγονται φαινόμενα ανομοιόμορφης εικόνας.

Για να αφαιρέσετε τη Βάση επιτραπέζιας τοποθέτησης από την τηλεόραση

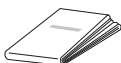


Εγκατάσταση των βάσεων στον τοίχο

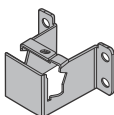
1 Προετοιμάστε τα απαραίτητα εξαρτήματα.

Εξαρτήματα Επιτοίχιας βάσης (παρέχονται)

- A** Χάρτινο υπόδειγμα



- B** Επιτοίχιο στήριγμα
KDL-50W82xB,
KDL-50W81xB,
KDL-50W80xB,
KDL-50W70xB (2)
KDL-42W82xB,
KDL-42W81xB,
KDL-42W80xB,
KDL-42/32W70xB (1)



- C** Προστατευτικό βάση
KDL-50W82xB,
KDL-50W81xB,
KDL-50W80xB,
KDL-50W70xB (2)
KDL-42W82xB,
KDL-42W81xB,
KDL-42W80xB,
KDL-42/32W70xB (1)



- D** Βίδα (+PSW 6 x 12) (2)



- E** Διαχωριστικό (2)



- F** Πλάκα κάλυψης βάση
KDL-50W82xB,
KDL-50W81xB,
KDL-50W80xB,
KDL-50W70xB (2)
KDL-42W82xB,
KDL-42W81xB,
KDL-42W80xB,
KDL-42/32W70xB (1)

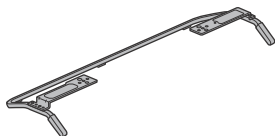


- G** Βίδα (+PSW 4 x 10)
KDL-50W82xB,
KDL-50W81xB,
KDL-50W80xB,
KDL-50W70xB (2)
KDL-42W82xB,
KDL-42W81xB,
KDL-42W80xB,
KDL-42/32W70xB (1)



Βάση (παρέχεται)

- H**

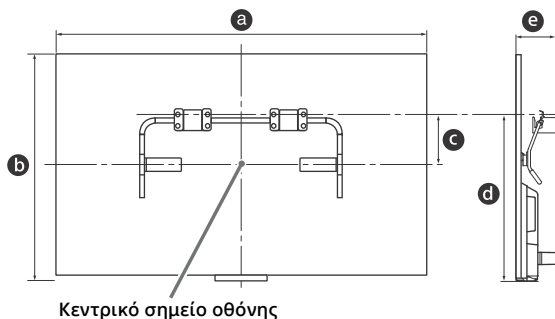


Βίδες για το Επιτοίχιο στήριγμα (διαμέτρου 8 mm, δεν παρέχονται)

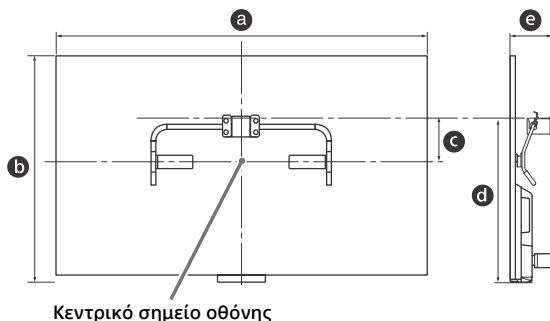
- KDL-50W82xB,
KDL-50W81xB,
KDL-50W80xB,
KDL-50W70xB (8)
KDL-42W82xB,
KDL-42W81xB,
KDL-42W80xB,
KDL-42/32W70xB (4)

- 2 Βεβαιωθείτε ότι ο τοίχος έχει αρκετό χώρο και μπορεί να στηρίξει βάρος τουλάχιστον τέσσερις φορές μεγαλύτερο από αυτό της τηλεόρασης.
Συμβουλευτείτε τον παρακάτω πίνακα για την εγκατάσταση της τηλεόρασης στον τοίχο. Ανατρέξτε στη σελίδα 17-21 (Τεχνικά χαρακτηριστικά) για το βάρος της τηλεόρασης.

KDL-50W82xB, KDL-50W81xB, KDL-50W80xB, KDL-50W70xB



KDL-42W82xB, KDL-42W81xB, KDL-42W80xB, KDL-42/32W70xB



Μονάδα: cm

όνομα μοντέλου KDL-	Διαστάσεις Οθόνης		Διάσταση κέντρου οθόνης	Μήκος για τη στερέωση	
	a	b	c	d	e
50W82xB/ 50W81xB/ 50W80xB/ 50W70xB	111,6	65,6	13,0	46,9	11,8
42W82xB/ 42W81xB/ 42W80xB/ 42W70xB	95,8	56,3	17,5	46,5	11,8
32W70xB	72,9	43,3	18,8	41,3	11,3

Σημείωση

- Οι τιμές στον πίνακα ενδεχομένως να διαφέρουν λίγο ανάλογα με την τοποθέτηση.

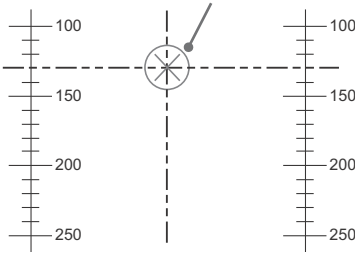
GR

3 Βάλτε ένα σημάδι στο Χάρτινο Υπόδειγμα **(A)** που να υποδεικνύει το κέντρο της οθόνης της τηλεόρασής σας.

**KDL-50W82xB, KDL-50W81xB,
KDL-50W80xB, KDL-50W70xB**

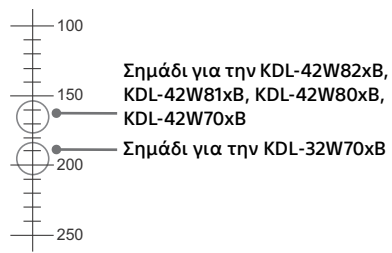
Κλίμακα στο Χάρτινο Υπόδειγμα **(A)**

Σημάδι για την KDL-50W82xB, KDL-50W81xB,
KDL-50W80xB, KDL-50W70xB



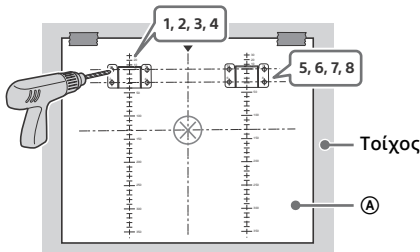
**KDL-42W82xB, KDL-42W81xB,
KDL-42W80xB, KDL-42/32W70xB**

Κλίμακα στο Χάρτινο Υπόδειγμα **(A)**

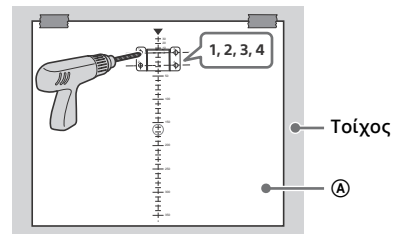


4 Κολλήστε το Χάρτινο Υπόδειγμα **(A)** στον τοίχο και ανοίξτε τρύπες σύμφωνα με την αρίθμηση στο Χάρτινο Υπόδειγμα **(A)** με ένα ηλεκτρικό τρυπάνι.

**KDL-50W82xB, KDL-50W81xB,
KDL-50W80xB, KDL-50W70xB**



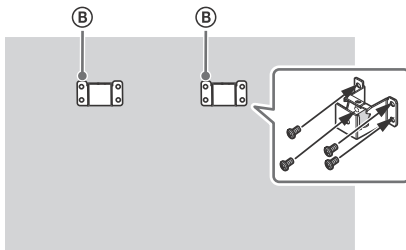
**KDL-42W82xB, KDL-42W81xB,
KDL-42W80xB, KDL-42/32W70xB**



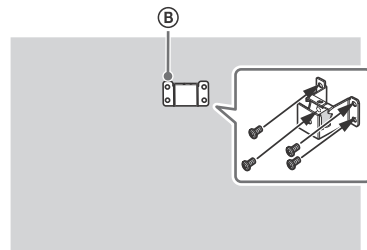
5 Αφαιρέστε το Χάρτινο Υπόδειγμα **(A)** από τον τοίχο.

6 Τοποθετήστε σωστά το Επιτοίχιο στήριγμα **(B)** στον τοίχο χρησιμοποιώντας τις βίδες (διαμέτρου 8 mm, δεν παρέχονται).

**KDL-50W82xB, KDL-50W81xB,
KDL-50W80xB, KDL-50W70xB**

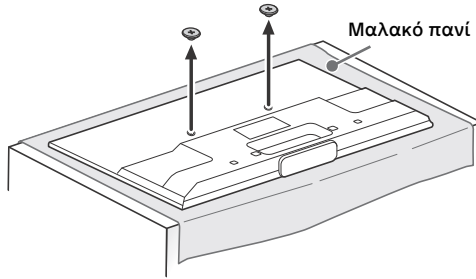


**KDL-42W82xB, KDL-42W81xB,
KDL-42W80xB, KDL-42/32W70xB**



Προετοιμασία για την εγκατάσταση της τηλεόρασης

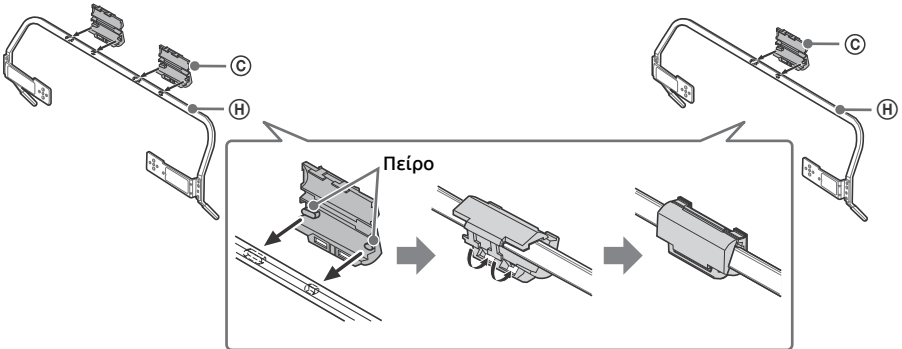
- 1 Αφαιρέστε τις βίδες από το πίσω μέρος της τηλεόρασης. Αποθηκεύστε τις βίδες που αφαιρέσατε σε ένα ασφαλές μέρος και φυλάξτε τις μακριά από παιδιά.



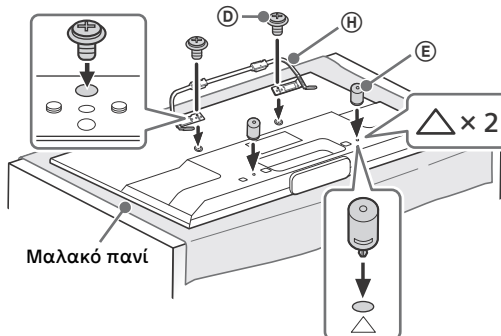
- 2 Εισαγάγετε τον πείρο (στο Προστατευτικό βάσης ©) στην τρύπα της Βάσης ④ και, στη συνέχεια, διπλώστε το Προστατευτικό βάσης ©. Βεβαιωθείτε ότι το Προστατευτικό βάσης © έχει αγκιστρωθεί σταθερά στη Βάση ④.

KDL-50W82xB, KDL-50W81xB,
KDL-50W80xB, KDL-50W70xB

KDL-42W82xB, KDL-42W81xB,
KDL-42W80xB, KDL-42/32W70xB



- 3 Προσαρτήστε τη Βάση ④ στην τηλεόραση χρησιμοποιώντας τις βίδες ② που παρέχονται. Προσαρτήστε τα Διαχωριστικά ⑤ στις τρύπες που υποδεικνύονται από τα τριγωνικά σημάδια Δ. Χρησιμοποιείται η εικόνα της KDL-50W82xB, KDL-50W81xB, KDL-50W80xB, KDL-50W70xB για σκοπούς απεικόνισης.

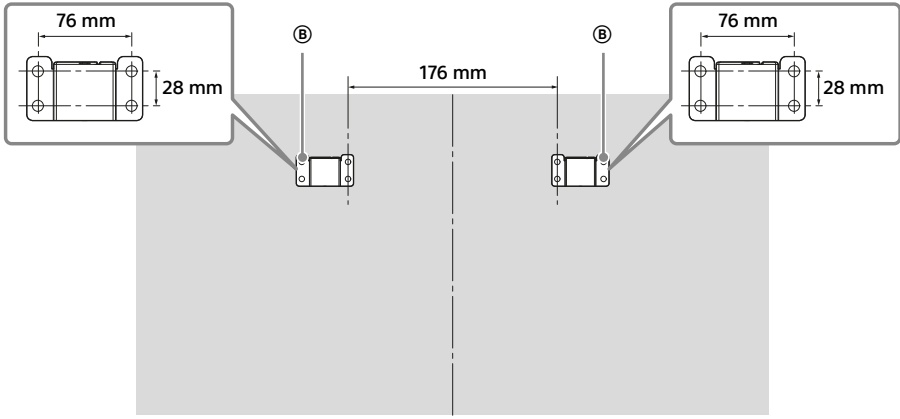


Διαστάσεις για τις τρύπες στον τοίχο

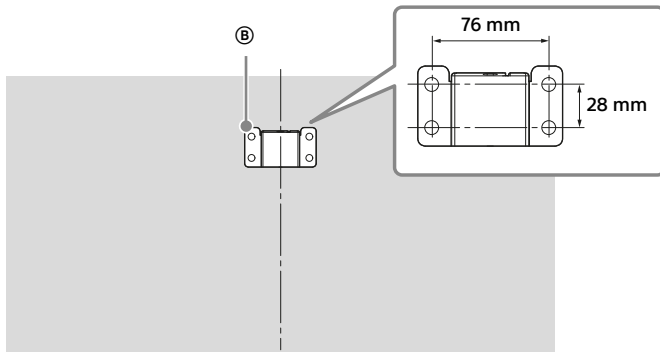
Δώστε τις ακόλουθες πληροφορίες στους εξουσιοδοτημένους τεχνικούς, αν είναι απαραίτητο. Χρησιμοποιήστε βίδες (διαμέτρου 8 mm, δεν παρέχονται), για να εγκαταστήσετε το Επιτοίχιο στήριγμα ② στον τοίχο.

Χρησιμοποιήστε το Χάρτινο Υπόδειγμα ④ που παρέχεται και υποδεικνύει το πραγματικό σημείο τοποθέτησης του Επιτοίχιου Στήριγματος για εύκολη εγκατάσταση.

KDL-50W82xB, KDL-50W81xB, KDL-50W80xB, KDL-50W70xB



KDL-42W82xB, KDL-42W81xB, KDL-42W80xB, KDL-42/32W70xB



Για οδηγίες σχετικά με την εγκατάσταση της Επιτοίχιας Βάσης του μοντέλου της τηλεόρασής σας, ανατρέξτε στην παρακάτω τοποθεσία:
www.sony.eu/tv/wall-mount-bracket-manual

Αντιμετώπιση προβλημάτων

Όταν η LED φωτισμού αναβοσβήνει με κόκκινο χρώμα, μετρήστε πόσες φορές αναβοσβήνει (ο χρόνος μεταξύ κάθε διαλείμματος είναι τρία δευτερόλεπτα).

Αν η LED φωτισμού αναβοσβήνει με κόκκινο χρώμα, πραγματοποιήστε επαναφορά της τηλεόρασης αποσυνδέοντας το καλώδιο εναλλασσόμενου ρεύματος από την τηλεόραση για δύο λεπτά και, στη συνέχεια, ενεργοποιήστε την τηλεόραση.

Αν το πρόβλημα παραμένει, επικοινωνήστε με τον αντιπρόσωπό σας ή το κέντρο τεχνικής υποστήριξης της Sony και αναφέρετε πόσες φορές αναβοσβήνει η LED φωτισμού (το ενδιάμεσο διάστημα είναι τρία δευτερόλεπτα). Πιέστε το I/⏻ στην τηλεόραση για να την απενεργοποιήσετε, αποσυνδέστε το καλώδιο εναλλασσόμενου ρεύματος και ενημερώστε τον αντιπρόσωπό σας ή το κέντρο τεχνικής υποστήριξης της Sony.

Όταν η LED φωτισμού δεν αναβοσβήνει, ελέγξτε τα στοιχεία στους παρακάτω πίνακες.

Μπορείτε να ανατρέξετε επίσης στην [Αντιμετώπιση προβλ.] στο i-Manual ή να εκτελέσετε αυτοδιάγνωση επιλέγοντας ? [Βοήθεια] → [Υποστήριξη πελατών] → [Αυτόματα διαγνωστικά]. Αν το πρόβλημα παραμένει, προσκομίστε την τηλεόραση για επισκευή από εξουσιοδοτημένο τεχνικό προσωπικό.

Προβλήματα και λύσεις

Δεν υπάρχει καθόλου εικόνα (η οθόνη είναι σκοτεινή) και καθόλου ήχος.

- Ελέγξτε τη σύνδεση της κεραίας/του καλωδίου.
- Συνδέστε την τηλεόραση στην τροφοδοσία ρεύματος και πιέστε το κουμπί I/⏻ στην τηλεόραση ή το τηλεχειριστήριο.

Δεν είναι δυνατός ο συντονισμός ορισμένων προγραμμάτων.

- Ελέγξτε την κεραία ή το δίσκο λήψης.
- Το δορυφορικό καλώδιο ενδέχεται να έχει βραχυκυκλωθεί ή ενδέχεται να υπάρχουν προβλήματα σύνδεσης του καλωδίου. Ελέγξτε τη διαθέσιμη σύνδεση και, στη συνέχεια, απενεργοποιήστε την τηλεόραση με το διακόπτη ενεργοποίησης/απενεργοποίησης και ενεργοποιήστε την ξανά.
- Η συχνότητα που ορίσατε είναι εκτός εύρους. Συμβουλευτείτε την εταιρεία της δορυφορικής μετάδοσης που λαμβάνετε.

Δεν βρέθηκε καμία υπηρεσία (πρόγραμμα) καλωδιακής τηλεόρασης.

- Ελέγξτε τη σύνδεση του καλωδίου ή τις ρυθμίσεις συντονισμού.
- Επιχειρήστε να εκτελέσετε τη λειτουργία [Αυτός ψηφιακός συντονισμός] επιλέγοντας [Κεραία] αντί για [Καλωδιακή TV].

Το τηλεχειριστήριο δεν λειτουργεί.

- Αλλάξτε τις μπαταρίες.
- Η τηλεόραση σας ενδέχεται να βρίσκεται στη λειτουργία SYNC. Πιέστε το **SYNC MENU**, επιλέξτε [Χειρισμός τηλεόρασης] και, στη συνέχεια, επιλέξτε [Home (Μενού)] ή [Επιλογές] για να χειριστείτε την τηλεόραση.

Έχετε ξεχάσει τον κωδικό πρόσβασης για τη λειτουργία [Κλείδωμα για Παιδιά].

- Πληκτρολογήστε τον αριθμό 9999 ως κωδικό PIN. (Ο κωδικός PIN 9999 γίνεται πάντοτε δεκτός.)

Το περιβάλλον τμήμα της τηλεόρασης θερμαίνεται.

- Όταν η τηλεόραση χρησιμοποιείται για μεγάλο χρονικό διάστημα, το περιβάλλον τμήμα της τηλεόρασης θερμαίνεται. Μπορεί να αισθανθείτε τη θερμότητα εάν αγγίξετε τη συγκεκριμένη περιοχή με τα χέρια σας.

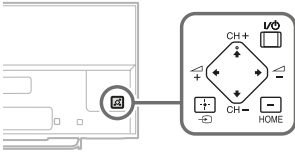
Ο ήχος ή η εικόνα "παγώνει", εμφανίζεται κενή οθόνη ή η τηλεόραση δεν αποκρίνεται στα κουμπιά της τηλεόρασης ή του τηλεχειριστηρίου.

- Εκτελέστε μια απλή επαναφορά της τηλεόρασης αποσυνδέοντας το καλώδιο ρεύματος για δύο λεπτά και, στη συνέχεια, συνδέοντας το ξανά.


Δεν είναι δυνατός ο εντοπισμός των κουμπιών I/⏪, CH+/-, ⏴ +/-, ⏵/+/-, ⏮, ⏭ και HOME στην τηλεόραση.

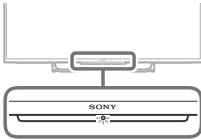
- Συμβουλευτείτε την παρακάτω εικόνα για τη θέση των κουμπιών στην τηλεόραση.

Πίσω πλευρά της τηλεόρασης



Η λυχνία LED φωτισμού είναι αναμμένη.


- Αν δεν θέλετε να είναι αναμμένη η λυχνία LED φωτισμού, μπορείτε να τη σβήσετε. Πιέστε **HOME** και, στη συνέχεια, επιλέξτε  [Ρυθμίσεις] → [Ρυθμίσεις Συστήματος] → [Γενικές ρυθμίσεις] → [LED φωτισμού] → [Όχι]. Επίσης, μπορείτε να πιέσετε το **OPTIONS** και, στη συνέχεια, να επιλέξετε [LED φωτισμού] → [Όχι].



Δεν είναι δυνατή η σύνδεση με ασύρματο δρομολογητή μέσω WPS.

- Αν χρησιμοποιείτε ασφάλεια WEP, επιλέξτε [Απλή] → [Wi-Fi] → [Σύνδεση από λίστα σάρωσης]. Στη συνέχεια, επιλέξτε το όνομα του δικτύου (SSID) στο οποίο θέλετε να συνδεθείτε.

Δεν είναι δυνατή η εύρεση του ονόματος του απαιτούμενου δικτύου στη ρύθμιση δικτύου.

- Επιλέξτε [[Χειροκίνητη εισαγωγή]] και πιέστε το  για να εισαγάγετε το όνομα δικτύου.

Τεχνικά χαρακτηριστικά

Σύστημα

Σύστημα οθόνης

Οθόνη LCD (Οθόνη υγρών κρυστάλλων),
Οπίσθιος φωτισμός LED

Τηλεοπτικό σύστημα μετάδοσης

Αναλογικό: Ανάλογα με την επιλογή χώρας/
περιοχής: B/G, D/K, L, I, M

Ψηφιακό: DVB-T/DVB-C

DVB-T2

Δορυφορικό: DVB-S/DVB-S2

Χρωματικό σύστημα/Σύστημα εικόνας

Αναλογικό: PAL, SECAM, NTSC3.58, NTSC4.43

Ψηφιακό: Ανατρέξτε στο i-Manual.

Κάλυψη καναλιών

Αναλογικό: UHF/VHF/Καλωδιακή, ανάλογα με
την επιλογή χώρας/περιοχής.

Ψηφιακό: UHF/VHF/Καλωδιακή, ανάλογα με την
επιλογή χώρας/περιοχής.

Δορυφορικό: Ενδιάμεση συχνότητα (IF)

950-2150 MHz

Έξοδος ήχου

8 W + 8 W (εκτός KDL-32W70xB)

5 W + 5 W (μόνο για KDL-32W70xB)

Ασύρματη τεχνολογία

Πρωτόκολλο IEEE802.11a/b/g/n

Υποδοχές εισόδου/εξόδου

Καλώδιο κεραίας



Εξωτερικός ακροδέκτης 75 ohm για VHF/UHF

Δορυφορική κεραία

Θηλυκό βύσμα τύπου F, IEC169-24, 75 ohm.

DISEqC 1.0, LNB 13 V/18 V & τόνος 22 kHz,

Μονή διαν. καλωδιακής TV EN50494.

 /  AV1

Υποδοχή Scart 21 ακίδων (πρότυπο CENELEC)

που περιλαμβάνει είσοδο ήχου/εικόνας, είσοδο

RGB και έξοδο ήχου/εικόνας τηλεόρασης.

 /  COMPONENT IN

YpBPr (Βίντεο Component): 1080p (50, 60 Hz),

1080i (50, 60 Hz), 720p (50, 60 Hz), 576p, 576i,

480p, 480i

Είσοδος ήχου (υποδοχές RCA)

 AV2

Είσοδος εικόνας (τυπικός ακροδέκτης RCA με


υποδοχή Y)



HDMI IN 1, 2, 3, 4 (εκτός KDL-50/42/32W70xB)
Βίντεο (2D): 1080p (30, 50, 60 Hz), 1080/24p,
1080i (50, 60 Hz), 720p (30, 50, 60 Hz),
720/24p, 576p, 576i, 480p, 480i, Μορφές
υπολογιστή
Βίντεο (3D):
Frame Packing: 1080p (30 Hz), 1080/24p,
1080i (50, 60 Hz), 720p (30, 50, 60 Hz),
720/24p
Σε παράθεση: 1080p (50, 60 Hz), 1080/24p,
1080i (50, 60 Hz), 720p (50, 60 Hz)
Κατακόρυφη παράθεση: 1080p (30, 50, 60 Hz),
1080/24p, 1080i (50, 60 Hz), 720p (50, 60 Hz)
Ήχος: Γραμμικό PCM 5,1 καναλιών: 32, 44,1 και
48 kHz, 16, 20 και 24 bit, Dolby Digital
ARC (Audio Return Channel) (μόνο για HDMI IN 2)

HDMI IN 1, 2, 3, 4 (μόνο για
KDL-50/42/32W70xB)
Βίντεο: 1080p (30, 50, 60 Hz), 1080/24p,
1080i (50, 60 Hz), 720p (30, 50, 60 Hz),
720/24p, 576p, 576i, 480p, 480i, Μορφές
υπολογιστή
Ήχος: Γραμμικό PCM 5,1 καναλιών: 32, 44,1 και
48 kHz, 16, 20 και 24 bit, Dolby Digital
ARC (Audio Return Channel) (μόνο για HDMI IN 2)

MHL (συνηθισμένη με υποδοχή HDMI IN 1)
(εκτός KDL-50/42/32W70xB)
Βίντεο (2D): 1080p (30 Hz), 1080/24p,
1080i (50, 60 Hz), 720p (30, 50, 60 Hz),
720/24p, 576p, 576i, 480p, 480i
Βίντεο (3D):
Σε παράθεση: 1080/24p, 1080i (50, 60 Hz),
720p (50, 60 Hz)
Κατακόρυφη παράθεση: 1080p (30 Hz), 1080/
24p, 1080i (50, 60 Hz), 720p (50, 60 Hz)
Ήχος: Γραμμικό PCM 5,1 καναλιών: 32, 44,1 και
48 kHz, 16, 20 και 24 bit, Dolby Digital

MHL (συνηθισμένη με υποδοχή HDMI IN 1)
(μόνο για KDL-50/42/32W70xB)
Βίντεο: 1080p (30 Hz), 1080/24p, 1080i (50,
60 Hz), 720p (30, 50, 60 Hz), 720/24p, 576p, 576i,
480p, 480i
Ήχος: Γραμμικό PCM 5,1 καναλιών: 32, 44,1 και
48 kHz, 16, 20 και 24 bit, Dolby Digital

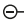
 DIGITAL AUDIO OUT (OPTICAL)
Οπτική ψηφιακή υποδοχή (Γραμμικό PCM δύο
καναλιών, Dolby Digital)

 AUDIO OUT 
Έξοδος ήχου (στερεοφωνική μίνι υποδοχή)
Υποδοχή ακουστικών
(υποστηρίζεται έξοδος subwoofer)

ψ1 (HDD REC), ψ2
Θύρα συσκευής USB HDD (μόνο για ψ1), Θύρα
USB



Υποδοχή CAM (Μονάδα Περιορισμένης
Πρόσβασης)

 DC IN 19.5 V
Είσοδος μετασχηματιστή εναλλασσόμενου
ρεύματος

 LAN

Σύνδεσμος 10BASE-T/100BASE-TX (Η ταχύτητα
σύνδεσης ενδέχεται να διαφέρει, ανάλογα με το
περιβάλλον λειτουργίας του δικτύου. Η
ταχύτητα και η ποιότητα επικοινωνίας μέσω
10BASE-T/100BASE-TX δεν είναι εγγυημένες για
αυτή την τηλεόραση.)

Άλλα

Προαιρετικά εξαρτήματα

Τηλεχειριστήριο Touchpad: RMF-ED004
Μονάδα κάμερας και μικροφώνου: CMU-BR200/
CMU-BR100
Ασύρματο Subwoofer: SWF-BR100
Καλώδιο MHL: DLC-MB10/DLC-MB20/DLC-MC10/
DLC-MC20
Ενεργά γιαλιά 3D: TDG-BT500A (μόνο για
KDL-50W82xB, KDL-50W81xB, KDL-50W80xB)



Παθητικά γιαλιά 3D: TDG-500P (μόνο για
KDL-42W82xB, KDL-42W81xB, KDL-42W80xB)



Θερμοκρασία λειτουργίας
0 °C – 40 °C

Υγρασία λειτουργίας
10 % – 80 % σχετική υγρασία (χωρίς
συμπύκνωση)

Ισχύς και λοιπά

Απαιτήσεις τροφοδοσίας
19,5 V DC με μετασχηματιστή εναλλασσόμενου
ρεύματος
Ονομαστική τιμή: Είσοδος 220 V - 240 V AC,
50 Hz

Κλάση ενεργειακής απόδοσης
KDL-50W82xB, KDL-50W81xB, KDL-50W80xB,
KDL-50W70xB: A++
KDL-42W82xB, KDL-42W81xB, KDL-42W80xB,
KDL-42W70xB: A+
KDL-32W70xB: A

Μέγεθος οθόνης (διαγωνίως) (Περίπου)
KDL-50W82xB, KDL-50W81xB, KDL-50W80xB,
KDL-50W70xB: 50 ίντσες / 125,7 cm
KDL-42W82xB, KDL-42W81xB, KDL-42W80xB,
KDL-42W70xB: 42 ίντσες / 106,7 cm

Κατανάλωση ισχύος

στη λειτουργία [Κανονική]

KDL-50W82xB, KDL-50W81xB, KDL-50W80xB,
KDL-50W70xB: 51 W
KDL-42W82xB, KDL-42W81xB, KDL-42W80xB,
KDL-42W70xB: 50 W
KDL-32W70xB: 39 W

στη λειτουργία [Ζωήρη]

KDL-50W82xB, KDL-50W81xB, KDL-50W80xB,
KDL-50W70xB: 100 W
KDL-42W82xB, KDL-42W81xB, KDL-42W80xB,
KDL-42W70xB: 99 W
KDL-32W70xB: 80 W

Μέση ετήσια κατανάλωση ενέργειας*¹

KDL-50W82xB, KDL-50W81xB, KDL-50W80xB,
KDL-50W70xB: 71 kWh
KDL-42W82xB, KDL-42W81xB, KDL-42W80xB,
KDL-42W70xB: 69 kWh
KDL-32W70xB: 54 kWh

Κατανάλωση ενέργειας σε αναμονή*²

0.5 W (10 W στη λειτουργία ενημέρωσης
λογισμικού/EPG)

Ανάλυση οθόνης

1.920 κουκίδες (οριζόντια) × 1.080 γραμμές
(κατακόρυφη)

Διαστάσεις (Περίπου) (π × υ × β)

με βάση επιτραπέζιας τοποθέτησης

KDL-50W82xB, KDL-50W81xB, KDL-50W80xB,
KDL-50W70xB: 111,6 × 69,3 × 17,9 cm
KDL-42W82xB, KDL-42W81xB, KDL-42W80xB,
KDL-42W70xB: 95,8 × 60,0 × 17,0 cm
KDL-32W70xB: 72,9 × 46,5 × 14,1 cm

χωρίς βάση επιτραπέζιας τοποθέτησης

KDL-50W82xB, KDL-50W81xB, KDL-50W80xB,
KDL-50W70xB: 111,6 × 65,6 × 6,4 cm
KDL-42W82xB, KDL-42W81xB, KDL-42W80xB,
KDL-42W70xB: 95,8 × 56,3 × 6,4 cm
KDL-32W70xB: 72,9 × 43,3 × 6,4 cm

Βάρος (Περίπου)

με βάση επιτραπέζιας τοποθέτησης

KDL-50W82xB, KDL-50W81xB, KDL-50W80xB,
KDL-50W70xB: 14,8 kg
KDL-42W82xB, KDL-42W81xB, KDL-42W80xB,
KDL-42W70xB: 11,7 kg
KDL-32W70xB: 7,9 kg

χωρίς βάση επιτραπέζιας τοποθέτησης

KDL-50W82xB, KDL-50W81xB, KDL-50W80xB,
KDL-50W70xB: 13,6 kg
KDL-42W82xB, KDL-42W81xB, KDL-42W80xB,
KDL-42W70xB: 10,5 kg
KDL-32W70xB: 6,9 kg

- *¹ Ετήσια κατανάλωση ενέργειας, με βάση την κατανάλωση ισχύος της τηλεόρασης σε ημερήσια 4 ωρη λειτουργία επί 365 ημέρες. Η πραγματική κατανάλωση ενέργειας εξαρτάται από τον τρόπο χρήσης της τηλεόρασης.
- *² Η συγκεκριμένη κατανάλωση ενέργειας σε αναμονή επιτυγχάνεται αφού η τηλεόραση ολοκληρώσει τις απαραίτητες εσωτερικές διαδικασίες.

Σημείωση

- Το σύμβολο "x" που εμφανίζεται στο όνομα του μοντέλου αντιστοιχεί σε ένα αριθμητικό ψηφίο, που σχετίζεται με το σχέδιο, το χρώμα ή το σύστημα τηλεόρασης.
- Μην αφαιρέσετε την εικονική κάρτα από την υποδοχή CAM (Μονάδα Περιορισμένης Πρόσβασης) της τηλεόρασης εκτός εάν πρόκειται να τοποθετήσετε μια έξυπνη κάρτα που ταιριάζει στην υποδοχή CAM.
- Η διαθεσιμότητα των προαιρετικών εξαρτημάτων εξαρτάται από τη χώρα/την περιοχή/το μοντέλο της τηλεόρασης/το απόθεμα.
- Ο σχεδιασμός και οι προδιαγραφές υπόκεινται σε αλλαγή χωρίς προειδοποίηση.
- Αυτή η τηλεόραση ενσωματώνει το πρότυπο MHL 2.

Σημειώσεις για τη λειτουργία Ψηφιακής τηλεόρασης

- Οποιαδήποτε λειτουργία σχετίζεται με την Ψηφιακή τηλεόραση (DVB) θα είναι διαθέσιμη μόνο στις χώρες ή τις περιοχές όπου μεταδίδονται ψηφιακά επίγεια σήματα DVB-T/DVB-T2 (MPEG-2 και H.264/MPEG-4 AVC) ή όπου υπάρχει πρόσβαση σε συμβατή υπηρεσία καλωδιακής τηλεόρασης DVB-C (MPEG-2 και H.264/MPEG-4 AVC). Παρακαλούμε επιβεβαιώστε με τον τοπικό σας αντιπρόσωπο εάν μπορείτε να λάβετε σήμα DVB-T/DVB-T2 στην περιοχή σας ή ρωτήστε τον παροχέα της καλωδιακής τηλεόρασης κατά πόσο το σήμα DVB-C που παρέχει είναι κατάλληλο για χρήση σε αυτή την τηλεόραση.
- Ο παροχέας της καλωδιακής τηλεόρασης ενδέχεται να χρεώνει πρόσθετη αμοιβή για μια τέτοια υπηρεσία ή να σας ζητήσει να συμφωνήσετε με τους όρους και τις προϋποθέσεις παροχής της υπηρεσίας.
- Η τηλεόραση αυτή πληροί τις προδιαγραφές DVB-T/DVB-T2 και DVB-C, αλλά η συμβατότητα με τις μελλοντικές ψηφιακές επίγειες μεταδόσεις DVB-T/DVB-T2 και τις ψηφιακές καλωδιακές μεταδόσεις DVB-C δεν είναι εγγυημένη.

- Μερικές λειτουργίες της ψηφιακής τηλεόρασης ενδέχεται να μην είναι διαθέσιμες σε ορισμένες χώρες/περιοχές και η υπηρεσία της καλωδιακής τηλεόρασης DVB-C να μη λειτουργεί σωστά με όλους τους παροχείς.

Πληροφορίες για το εμπορικό σήμα

- Οι όροι HDMI και HDMI High-Definition Multimedia Interface και το λογότυπο HDMI είναι εμπορικά σήματα ή σήματα κατατεθέντα της HDMI Licensing LLC στις Ηνωμένες Πολιτείες και σε άλλες χώρες.
- Η επωνυμία DLNA®, το λογότυπο DLNA και η επωνυμία DLNA CERTIFIED® είναι εμπορικά σήματα, σήματα υπηρεσιών ή σήματα πιστοποίησης της Digital Living Network Alliance.
- Δημιουργήθηκε με άδεια από την Dolby Laboratories. Το Dolby και το σύμβολο διπλού D αποτελούν εμπορικά σήματα της Dolby Laboratories.
- "BRAVIA" και BRAVIA είναι εμπορικά σήματα της Sony Corporation.
- Η ονομασία TrackID είναι εμπορικό σήμα ή σήμα κατατεθέν της Sony Mobile Communications AB.
- Οι ονομασίες Gracenote, Gracenote eyeQ, Gracenote VideoID, Gracenote Video Explore, Gracenote MusicID, το λογότυπο και η μορφή του λογότυπου Gracenote καθώς και το λογότυπο "Powered by Gracenote" είναι σήματα κατατεθέντα ή εμπορικά σήματα της Gracenote στις Ηνωμένες Πολιτείες ή/και σε άλλες χώρες.
- Opera® Devices SDK from Opera Software ASA. Copyright 1995-2014 Opera Software ASA. All rights reserved.
- Οι ονομασίες Wi-Fi, Wi-Fi Direct και Miracast είναι εμπορικά σήματα ή σήματα κατατεθέντα της Wi-Fi Alliance.
- Το "Λογότυπο Sony Entertainment Network" και η ονομασία "Sony Entertainment Network" είναι εμπορικά σήματα της Sony Corporation.
- Οι ονομασίες MHL, Mobile High-Definition Link και το λογότυπο MHL είναι εμπορικά σήματα ή σήματα κατατεθέντα της MHL Licensing, LLC.

- Για τις ευρεσιτεχνίες DTS, ανατρέξτε στην τοποθεσία <http://patents.dts.com>. Κατασκευάζεται κατόπιν άδειας από την DTS Licensing Limited. Η ονομασία DTS, το σύμβολο και η ονομασία DTS σε συνδυασμό με το σύμβολο είναι σήματα κατατεθέντα και η ονομασία DTS Digital Surround είναι εμπορικό σήμα της DTS, Inc. © DTS, Inc. Με επιφύλαξη παντός δικαιώματος.
- Designed with UEI Technology™
Under License from Universal Electronics Inc. Portions © UEI 2000 – 2013
- Το λεκτικό σήμα και τα λογότυπα Bluetooth® ανήκουν στην Bluetooth SIG, Inc και οποιαδήποτε χρήση αυτών των σημάτων από την Sony Corporation γίνεται κατόπιν παραχώρησης άδειας χρήσης. Τα άλλα εμπορικά σήματα και οι εμπορικές ονομασίες ανήκουν στους αντίστοιχους κατόχους τους.
- Η ονομασία DiSEqC™ είναι εμπορικό σήμα της EUTELSAT.
Αυτή η τηλεόραση υποστηρίζει DiSEqC 1.0. Αυτή η τηλεόραση δεν προορίζεται για χειρισμό μηχανοκίνητων κεραιών.

İçindekiler

ÖNEMLİ NOT	2
Güvenlik Bilgileri	3
Uyarılar	5
Televizyonu Duvara Monte Etme	7
Aparatları duvara monte etme	8
Televizyonun montajı için hazırlanma	11
Televizyonu duvara monte etme	12
Sorun Giderme	14
Sorunlar ve Çözümleri	14
Spesifikasyonlar	15

Giriş

Bu Sony ürününü seçtiğiniz için teşekkür ederiz. Televizyonu çalıştırmadan önce, lütfen bu kullanım talimatı kitapçığını iyice okuyunuz ve de ileride kullanmak üzere saklayınız.

Not

- Televizyonu çalıştırmadan önce, lütfen "Güvenlik Bilgileri" (sayfa 3).
- "Televizyonu Duvara Monte Etme" ile ilgili talimatlar, bu televizyonun kullanım kılavuzunda verilmiştir.
- Hızlı Başlangıç Kılavuzu ve bu kılavuzda kullanılan görüntüler ve çizimler yalnızca bilgi içindir ve ürünün asıl görünümünden farklı olabilir.

Tanım etiketinin konumu

Televizyon Model No, Üretim Tarihi (ay/yıl) ve Güç Beslemesi nominal değerleri için etiketler televizyonun veya ambalajın arkasında bulunur. Elektrik adaptörünün Model No ve Seri No etiketleri elektrik adaptörünün altında bulunur.

UYARI

**YANGIN ÇIKMASINI
ÖNLEMEK İÇİN, MUM
VE BAŞKA AÇIK ALEV
KAYNAKLARINI BU ÜRÜNDEN
HER ZAMAN UZAKTA TUTUN.**



ÖNEMLİ NOT

Bu ürün, Sony Corporation, 1-7-1 Konan Minato-ku Tokyo, 108-0075 Japonya tarafından veya onun adına üretilmiştir. Avrupa Birliği mevzuatına dayanılarak ürün uyumluluğu konusundaki sorgulamalar, Hedelfinger Strasse 61, 70327 Stuttgart, Almanya adresindeki yetkili temsilci, Sony Deutschland GmbH'ye ilgilenebilir. Servis veya garantiyle ilgili konularda, servis veya garanti belgelerinde verilen adreslere başvurunuz.

Kablosuz Sinyalle İlgili Not

Sony Corporation, bu ürün için gerekli tüm testleri 1999/5/EC Direktifine ve bunun ilgili diğer şartlarına göre yapmış bulunmaktadır.

Daha detaylı bilgi için lütfen web sayfasını ziyaret ediniz:
<http://www.compliance.sony.de/>

Müşteriler için not: Aşağıdaki bilgiler sadece AB yönetmeliklerini uygulayan ülkelere satılan cihazlar için geçerlidir.

Televizyon kablosuz sistemi sadece aşağıdaki ülkelere kullanılabilir:

AT, BE, HR, CY, CZ, DK, EE, FI, FR, DE, GR, HU, IE, IT, LV, LT, LU, MT, NL, PL, PT, SK, SI, ES, SE, GB, IS, LI, NO, CH, BG, RO, TR, AL, BA, MK, MD, RS, ME

Bu cihaz Avrupa harici ülkelere çalıştırılmaz.



Güvenlik Bilgileri

UYARI

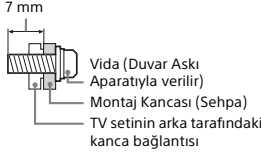
Piller güneş ışığı, ateş ve benzeri aşırı ısı kaynaklarına maruz bırakılmamalıdır.

Montaj/Kurulum

Herhangi bir yangın, elektrik çarpması veya hasar ve/veya yaralanma riskini önlemek amacıyla televizyon setini aşağıdaki talimatlara uygun olarak monte ediniz ve kullanınız.

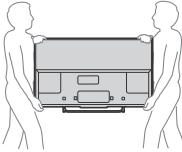
Montaj

- Televizyon seti, erişimi kolay bir prizini yakınına monte edilmelidir.
- Televizyonun düşüp yaralanma veya maddi hasara yol açmasını önlemek için televizyonu sabit, düz bir yüzeye yerleştirin.
- Duvara montaj işlemlerini sadece kalifiye servis personeli gerçekleştirmelidir.
- Emniyet nedenlerinden ötürü, Sony aksesuarlarını kullanmanızı önemle tavsiye ederiz, buna aşağıdaki bileşen de dahildir:
— Duvar Askı Aparatı
- Montaj kancalarını (sehpa) televizyon setine takarken Duvar Askı Aparatıyla birlikte verilen vidaları kullandığınızdan emin olun. Birlikte verilen vidalar, montaj kancasının (Sehpa) takılma yüzeyinden ölçüldüğünde şekilde gösterildiği gibi tasarlanmıştır.
- Vidaların çapı ve uzunluğu, duvar askı aparatının modeline bağlı olarak değişiklik gösterir.
- Temin edilmiş vidaların haricinde başka vidaların kullanılması, TV setinin iç kısmının zarar görmesine veya düşmesine vs. neden olabilir.



Nakliye

- Televizyon setini taşımadan önce, tüm kablolarını sökünüz.
- Büyük bir televizyon setini taşımak için iki veya üç kişi gerekir.
- Televizyon elle taşınırken aşağıda gösterildiği şekilde tutun. LCD panele ve ekranın etrafındaki muhafaza kasasına baskı uygulamayınız.



- Televizyon setini taşırken, sarsıntılara ve aşırı titreşimlere maruz bırakmayınız.
- Televizyon setini tamir için taşırken veya yerini değiştirirken, orijinal karton ve ambalaj malzemelerini kullanarak paketleyiniz.

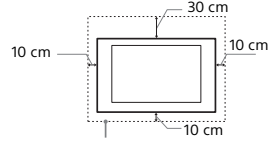
Devrilmeyi önleme

- Metal vidasını takmadan önce, ekranı yüz üstü olarak sağlam ve televizyondan daha büyük bir yüzeyin üzerine koyun.
- LCD ekranın yüzüne zarar vermemek için, çalışma yüzeyinin üzerine yumuşak bir kumaş koyun.

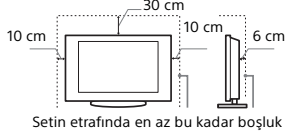
Havalandırma

- Asla havalandırma deliklerini kapatmayınız veya kabinin içine herhangi bir şey sokmayınız.
- Televizyon setinin etrafında, aşağıda gösterildiği gibi boş alan bırakınız.
- Yeterli hava sirkülasyonu sağlamak için mutlaka bir Sony Duvar Askı Aparatı kullanmanızı öneririz.

Duvara monte edildiğinde

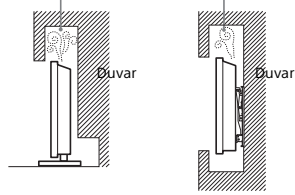


Stand ile monte edildiğinde



- Uygun bir havalandırma sağlamak ve kir ve tozların birikmesini önlemek için:
— Televizyon setini düz, baş aşağı, arkaya doğru veya yana dönük şekilde monte etmeyiniz.
— Televizyon setini bir raf, halı, yatak üzerine veya bir dolaba monte etmeyiniz.
— Televizyon setini perde veya gazete gibi şeylerle örtmeyiniz.
— Televizyon setini aşağıda gösterildiği gibi monte etmeyiniz.

Hava sirkülasyonu tıkalı.



Ana elektrik kablosu

- Herhangi bir yangın, elektrik çarpması veya hasar ve/veya yaralanma riskini önlemek amacıyla, elektrik kablosu ve fişi ile ilgili olarak aşağıdaki hususlara riayet ediniz:
- Sadece Sony tarafından temin edilen elektrik kablolarını kullanınız, farklı tedarikçilerden temin edilenleri kullanmayınız.
 - Fişi elektrik prizine tam olarak sokunuz.
 - Televizyon setini sadece bir 220-240 V AC elektrik kaynağı ile çalıştırınız.
 - Kablo bağlantılarını yaparken, güvenliğinizi için elektrik fişini çekmeyi unutmayınız ve ayaklarınızın kablolarla doluşmasına dikkat ediniz.
 - Televizyon seti ile ilgili bir iş yapmadan veya taşımadan önce, elektrik fişini prizden çekiniz.
 - Ana elektrik kablosunu ısı kaynaklarından uzak tutunuz.
 - Elektrik fişini prizden çekiniz ve fişi düzenli olarak temizleyiniz. Eğer fiş tozla kaplanırsa ve nemlenirse, yalıtımı bozularak bir yangına neden olabilir.

Not

- Ürünle birlikte verilen ana elektrik kablosunu başka bir cihazda kullanmayınız.
- Ana elektrik kablosunu aşırı derecede sıkıştırmayınız, bükmeyiniz veya kıvrımayınız. İçindeki iletkenler açığa çıkabilir veya kırılabilir.
- Ana elektrik kablosunda bir değişiklik yapmayınız.
- Ana elektrik kablosunun üzerine ağır bir şey koymayınız.
- Elektrik fişini prizden çekerken kablosundan tutarak çekmeyiniz.
- Birden fazla cihazı aynı prize takmayınız.
- Gevşek durumdaki elektrik prizlerini kullanmayınız.

GÜÇ ADAPTÖRÜYLE İLGİLİ NOTLAR

Uyarı

Elektrik çarpması riskini azaltmak için bu cihazı yağmura veya neme maruz bırakmayın.

Yangın veya elektrik çarpması tehlikesini önlemek için, cihazın üzerine vazo gibi için sıvı dolu nesnelere koymayın. Bu cihazı kitaplık rafı ve benzeri bir ünite gibi bir kapalı alana monte etmeyin.

- Lütfen güç prizinin cihazın yakınına bulunduğundan ve erişiminin kolay olduğundan emin olun.
- Birlikte verilen güç adaptörünü ve güç kablosunu kullandığınızdan emin olun.
- Başka bir güç adaptörü kullanmayın. Bu, arızaya yol açabilir.
- Güç adaptörünü kolay erişilebilir bir güç prizine bağlayın.
- Güç kablosunu güç adaptörünün etrafına sarmayın. Kablonun içindeki teller kopabilir ve/veya medya alıcısının arızalanmasına sebep olabilir.



- Güç adaptörüne ıslak elle dokunmayın.
- Güç adaptöründe bir anormallik fark ederseniz, adaptörü derhal güç prizinden ayırın.
- Cihaz kapatılmış olsa bile, güç prizine bağlı kaldığı sürece cihazın güç kaynağıyla bağlantısı kesilmez.
- Uzun süre kullanıldığında ısındığı için güç adaptörü elle tutulduğunda sıcaklık hissedilebilir.

Yasaklanmış Kullanım

Televizyon setini, aşağıda belirtilenler gibi yerlerde, ortamlarda veya durumlarda kullanmayınız/monte etmeyiniz, aksi halde televizyon seti arıza yapabilir ve yangına, elektrik çarpmasına, hasara ve/veya yaralanmaya neden olabilir.

Yer:

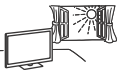
- Diş mekanlarına (direk güneş ışığı altına), deniz kıyısına, bir gemiye veya başka bir tekneye, bir aracın içine, medikal kurumlara, dengesiz yerlere, suyun, yağmurun, nemin veya dumanın olduğu yerlerin yakınına.
- Televizyon bir halka açık hamamın veya kaplıcanın soyunma odasına yerleştirilirse, havadaki sülfür vb. sebebiyle televizyon zarar görebilir.



- En iyi resim kalitesi için, ekranı aydınlatmalara veya güneş ışığına doğrudan maruz bırakmayın.
- Televizyonu soğuk bir yerden sıcak bir yere taşımaktan kaçının. Ani oda sıcaklığı değişimleri nem yoğunlaşmasına yol açabilir. Bu, televizyonun görüntüleri ve/veya renkleri kötü görülmemesine yol açabilir. Böyle durumlarda televizyonu açmadan önce nemin tamamen buharlaşmasını bekleyin.

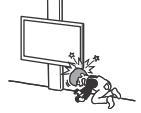
Ortam:

- Sıcak, nemli veya aşırı tozlu yerler; böceklerin girebileceği yerler; mekanik titreşime maruz kalabilecek yerler, yanıcı maddelerin yanı (mumlar, v.s.). Televizyon setine su damlaları veya su sıçramaları gelmemelidir ve vazo gibi içi sıvı dolu eşyalar televizyonun üzerine konulmamalıdır.
- Televizyonu nemli veya tozlu bir yer veya yağlı dumanın veya buharın bulunduğu bir odaya (yemek pişirme tezgahı veya nemlendirme cihazların yakınına) yerleştirmeyin. Aksi takdirde yangın, elektrik çarpması veya deforme olma riski oluşur.
- Televizyonu doğrudan güneş ışığı, bir radyatörün arkası veya bir ısıtma kanalı gibi, aşırı sıcaklıklara maruz kalacağı yerlere monte etmeyin. Televizyon, kasanın deforme olmasına ve/veya televizyonunu arızalanmasına sebep olacak kadar aşırı ısınabilir.



Durum:

- Elleriniz ıslakken, cihazın kasası açıkken veya üretici tarafından önerilmeyen aksesuarlar takılıken cihazı kullanmayınız. Yıldırımli havalarda televizyon setinin elektrik ve anten bağlantısını çekiniz.
- Televizyonu, açık bir alana taşacak biçimde monte etmeyin. Televizyona çarparak yaralanma veya maddi hasar oluşabilir.



Kırık parçalar:

- Televizyon setine herhangi bir şey fırlatmayınız. Ekran camı çarpma etkisi ile kırılabilir ve ciddi yaralanmalara neden olabilir.
- Eğer televizyon setinin yüzeyinde çatlama olursa, elektrik kablosunu prizden çekinmeye kadar dokunmayınız. Aksi halde elektrik çarparabilir.

Kullanılmadığında

- Eğer televizyon setini uzunca bir süre kullanmayacaksanız, çevresel ve emniyet nedenlerinden ötürü televizyon setinin fişi prizden çekilmelidir.
- Televizyon setini sadece kapatmış olduğunuzda elektrik beslemesi kesilmiş olmayacağından, televizyon setinin elektrikliğini tamamen kesmek için fişini prizden çekiniz.
- Bununla birlikte bazı televizyon setleri, düzgün çalışabilmesi için bekleme durumunda bırakılmasını gerektiren özelliklere sahip olabilir.

Çocuklar için

- Çocukların televizyon setine tırmanmalarına izin vermemeyiniz.
- Küçük aksesuarları, çocukların yanlışlıkla yutmaması için, çocukların ulaşamayacağı yerlere kaldırınız.

Aşağıdaki problemler ortaya çıkarsa...

Aşağıdaki problemlerden birinin olması durumunda, televizyon setini **kapatınız** ve fişini prizden çekiniz. Satıcınızdan veya Sony yetkili servisinden, kalifiye servis personeline kontrol edilmesini talep ediniz.

Eğer:

- Elektrik kablosu hasarlıysa.
- Elektrik prizi gevşek durumdaysa.
- Düşmeden, darbelere veya bir şeyin çarpmasından ötürü televizyon seti hasar görmüşse.
- Herhangi bir sıvı veya katı cisim kasadaki menfezlerden içeri düşerse.

LCD Monitör Sıcaklığı Hakkında

LCD Monitör uzun süre kullanıldığında panelin çevresi ısınır. Ellediğinizde sıcaklığı hissedebilirsiniz.

DUVAR ASKI APARATI

Aşağıdaki bilgede Duvar Askı Aparatının nasıl doğru kullanılacağı gösterilmektedir. Bu bilgiyi iyice okuduğunuzdan ve Duvar Askı Aparatını doğru kullandığınızdan emin olun.

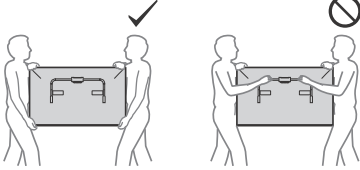
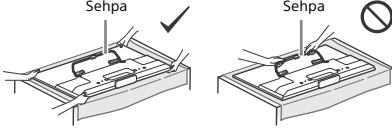
Müşterilere:

- Yangın, elektrik çarpması, ürünün devrilmesi veya ürünün düşürülmesinden kaynaklanan ciddi yaralanmalara önlemek için aşağıdaki emniyet uyarılarını uyguladığınızdan emin olun.
- Montajı lisanslı taşeronlara yaptırın ve montaj sırasında küçük çocukları uzakta tutun.
- Televizyonu taşıma ve sökme işlerini lisanslı taşeronlara verin.
- Televizyonu monte ettikten sonra vidaları ve benzerleri sökmeyin.
- Duvar Askı Aparatının parçaları üzerinde değişiklik yapmayın.
- Belirtilen ürün haricinde herhangi başka bir ekipmanı monte etmeyin.
- Duvar Askı Aparatına televizyon haricinde herhangi başka bir yük uygulamayın.
- Televizyona yaslanmayın ve asılmayın.
- Temizleme veya bakım sırasında televizyon üzerine aşırı kuvvet uygulamayın.

Sony Bayilerine ve Yüklencilerine:

Aşağıdaki yönergeler sadece Sony bayileri ve yüklencileri içindir. Aşağıda belirtilen emniyet önlemlerini okuyun ve bu ürünün montajı, bakımı ve kontrolü sırasında emniyete özellikle dikkat edin.

- Televizyon setini taşıırken veya monte ederken, yanlarından tutun. Televizyonu Sehpadan kaldırmayın.



- Duvar Askı Aparatını, televizyon köşelerinin veya kenarlarının duvar yüzeyinden dışarı taşıdığı duvar yüzeylerine monte etmeyin.



- Televizyonu bir klima cihazının üzerine veya altına monte etmeyin.
- Bu kullanım kılavuzundaki talimatlara uyarak Duvar Askı Aparatının duvara güvenli bir şekilde monte edildiğinden emin olun. Herhangi bir vida gevşekse veya yerinden çıkarsa, Duvar Askı Aparatı düşebilir ve yaralanma veya maddi hasara yol açabilir.
- Bu kullanım kılavuzundaki talimatlara uyarak birlikte verilen vidaları ve ek parçaları doğru kullandığınızdan emin olun. Başka parçalar kullanırsanız, televizyon düşebilir ve yaralanmaya yol açabilir veya televizyona zarar verebilir.
- Aparatı, bu kullanım kılavuzunda açıklanan talimatlı prosedürleri takip ederek monte etmeye dikkat edin.
- Vidaları ilgili konumlarda iyice sıkmanızdan emin olun.
- Montaj sırasında televizyonun darbeye maruz kalmamasına dikkat edin.
- Televizyonu dikey ve düz bir duvara monte etmeye dikkat edin.
- Televizyonu doğru bir şekilde monte ettikten sonra kabloları düzgün olarak sabitleyin.
- Elektrik kablolarının veya bağlantı kablolarının ezilmesine izin vermeyin. Aksi takdirde kabloların içindeki teller dışarı çıkabilir ve kısa devreye veya elektrik kesilmesine yol açabilir.



Uyarılar

Televizyonu seyretme

- Bazı kişiler 3D video görüntülerini izlerken veya stereoskopik 3D oyunlar oynarken rahatsızlık (gözlerin yorulması, baş dönmesi veya mide bulantısı gibi) duyabilirler. Sony, tüm izleyicilerin 3D video görüntülerini izlerken veya stereoskopik 3D oyunlar oynarken düzenli molalar vermesini önerir. Gerekli olan molaların süresi ve sıklığı kişiden kişiye değişir. Sizin için hangisinin en uygun olduğunu kendiniz karar vermeniz gerekir. Rahatsızlık duyduğunuzda, rahatsızlığınız sona erinceye kadar 3D video görüntülerini izlemeye veya stereoskopik 3D oyunlar oynamaya ara vermeniz gerekir; gerekli olduğuna inanıyorsanız bir doktora danışın. En yeni bilgiler için, bu televizyonla kullandığınız diğer cihazların ve medyanın kullanım kılavuzlarını da okumanız (i) ve web sitemize (<http://support.sony-europe.com/>) bakmanız (ii) gereklidir. Küçük çocukların (özellikle altı yaşın altındakilerin) görme duyarları halen gelişmektedir. Çocuğunuzun 3D video görüntülerini izlemesine veya stereoskopik 3D oyunlar oynamasına izin vermeden önce bir doktora (örn. çocuk doktoru veya göz doktoru) danışın. Yetişkinler yukarıdaki önerilere uymaya özen göstererek küçük çocuklarını gözetmelidir.
- 3D gözlüğü ateş yakını doğrudan güneş ışığı altı veya güneşte ısınmış araba gibi yüksek sıcaklıktaki bir yerde kullanmayın, saklamayın veya bırakmayın.
- Simülé 3D fonksiyonunu kullanırken, televizyon tarafından gerçekleştirilen dönüştürme işlemi sebebiyle görüntülenen resmin orijinale göre değiştiğuna lütfen dikkat edin.
- Televizyonun zayıf ışık altında veya uzunca bir süre seyredilmesi gözlerinizi yoracağından, televizyonu orta dereceli bir ışık altında seyrediniz.
- Kulaklık kullanırken, işitme hasarına neden olabileceğini sesi aşırı seviyelerde olmayacak şekilde ayarlayın.

LCD Ekran

- LCD ekran yüksek duyarlılık teknolojisiyle yapılmış ve piksellerin %99,99'u veya daha fazlası etkin olmasına rağmen, LCD ekranda devamlı olarak siyah noktalar veya parlak ışık noktaları (kırmızı, mavi, veya yeşil) görülebilir. Bu, LCD ekranın yapısal bir özelliği olup bir arıza değildir.
- Ön filtreye bastırmayın veya çizmeyin yada bu televizyon setinin üzerine eşyalar koymayın. Görüntü düzgün gözükmezse veya LCD ekran hasar görebilir.
- Bu televizyon seti soğuk bir yerde kullanılıyorsa, görüntüde bir lekelenme oluşabilir veya görüntü koyulaşabilir. Bu bir arıza belirtisi değildir. Bu olay, sıcaklığın yükselmesiyle birlikte ortadan kalkar.
- Hareketsiz görüntüler devamlı görüntülendiğinde gölgeler oluşabilir. Birkaç dakika sonra yok olabilir.
- Televizyon seti kullanılmıyken ekran ve kasa ısınabilir. Bu, bir fonksiyon bozukluğu değildir.
- LCD ekran, az miktarda bir sıvı kristal içermektedir. İmha ile ilgili olarak yerel kanun ve tüzüklere riayet ediniz.

Ekran yüzeyi veya televizyon kasanın kullanımı ve temizliği

Temizlik işlemlerinden önce, televizyon setine bağlı olan elektrik kablosunun fişini prizden çekiniz.

Malzeme aşınmasını veya ekran kaplamasının aşınmasını önlemek için aşağıdaki önerilere riayet ediniz.

- Ekranın/kasanın tozunu almak için, yumuşak bir bez ile nazikçe siliniz. Eğer toz çıkmıyorsa, çok seyreltilmiş bir deterjan çözünürlüğü ile hafifçe nemlendirilmiş yumuşak bir bezle siliniz.
- Keskinlik TV'ye doğrudan su ve deterjan püskürtmeyin. Ekranın altına veya dış parçalarına sızabilir ve TV'nin içine girebilir, bu TV'de olası hasara neden olabilir.
- Aşındırıcı bir bez, alkali/asitli bir temizleyici, aşındırıcı temizlik tozu veya alkol, benzin, tiner veya böcek ilacı gibi uçucu çözücüler kullanmayınız. Bu tür materyallerin kullanılması kauçuk ya da vinil malzemelere uzun süreli temas etmesi ekran yüzeyine veya kasa malzemesine zarar verebilir.
- Uygun bir havalandırma sağlamak için havalandırma deliklerine periyodik olarak vakum uygulanması önerilmektedir.



TR

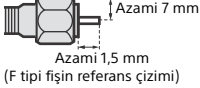
- Televizyon setinin açısını ayarlarken, televizyon setinin yerinden oynamasını veya tablasından kayıp düşmesini önlemek için yavaşça hareket ettiriniz.

Opsiyonel Ekipmanlar

- Elektromanyetik radyasyon yayan opsiyonel bileşenleri veya herhangi bir ekipmanı televizyon setinden uzak tutunuz. Aksi halde görüntü bozulması ve/veya sese parazitlenme olabilir.
- Bu ekipman test edilmiştir ve 3 metreden kısa bir bağlantı sinyali kablosu kullanıldığında EMC Yönetmeliğinin belirlediği sınırlarla uyumlu olduğu görülmüştür.

F tipi fiş önerisi

İç tel, bağlantı parçasından azami 1,5 mm dışarı çıkmaldır.



Uzaktan kumandayı kullanımla ilgili not

- Pilleri takarken kutupları doğru yerleştirdiğinizden emin olunuz.
- Farklı tipte pilleri bir arada veya eski ve yeni pilleri karıştırarak kullanmayınız.
- Pilleri, çevreye saygılı bir şekilde imha ediniz. Belirli bölgelerde pillerin imhasıyla ilgili düzenlemeler olabilir. Lütfen yerel makamlarınıza danışınız.
- Uzaktan kumandayı dikkatli kullanınız. Düşürmeyiniz veya üzerine basmayınız ya da üzerine herhangi bir sıvı dökmeyiniz.
- Uzaktan kumandayı bir ısı kaynağı yakınına veya direk güneş ışığı alan bir yere ya da nemli bir odaya koymayınız.

Ünitenin Kablosuz Fonksiyonu

- Tıbbi cihazın çalışmasını etkileyebileceğinden, bu üniteyi tıbbi cihazların (kalp pili vb.) yakınında çalıştırmayın.
- Bu birim şifreli sinyaller gönderip/almakla birlikte, dışarıdan izinsiz müdahalelere karşı dikkatli olun.
Bu konuyla ilgili karşılaşılabilecek sorunlarda şirketimiz sorumluluk kabul etmemektedir.

DUVAR ASKI APARATI

- Televizyonu Duvar Askı Aparatı takılı olarak uzun süre kullanırsanız, duvarın yapıldığı malzemeye bağlı olarak arkadaki duvarda veya televizyonun üstünde renk değişimi olabilir veya duvar kağıdını yerinden çıkabilir.
- Duvara Askı Aparatı duvara monte edildikten sonra söküldüğünde vida delikleri kalır.
- Duvar Askı Aparatını mekanik titreşimlere maruz kalacağı bir yerde kullanmayın.

Televizyon setinin imhası



Eski Elektrikli ve Elektronik Cihazların İmhası (Avrupa Birliği ve diğer Avrupa ülkelerinde ayrı toplama sistemleriyle uygulanmaktadır)

Ürünün veya ambalajı üzerindeki bu sembol, bu ürünün bir ev atığı gibi muamele görmemesi gerektiğini belirtir. Bunun yerine, elektrikli ve elektronik cihazların geri dönüşümü için uygun

toplama noktasına teslim edilmelidir. Bu ürünün doğru bir şekilde elden çıkarılmasını sağlayarak, uygunsuz bir elden çıkarma durumunda çevre ve insan sağlığı açısından doğacak potansiyel olumsuz sonuçların önlenmesine yardımcı olmuş olacaksınız. Materyallerin geri dönüşürülmesi doğal kaynakların korunmasına yardımcı olacaktır. Bu ürünün geri dönüşümü hakkında daha detaylı bilgi için lütfen ilgili belediye birimi veya ürünü satın aldığınız satıcı ile temasa geçiniz.



Atık pillerin bertaraf edilmesi (Avrupa Birliği'nde ve ayrı toplama sistemleri bulunan diğer Avrupa ülkelerinde uygulanır)

Pil veya ambalajın üzerindeki bu sembol, bu ürünle birlikte teslim edilen pilin evsel atık olarak değerlendirilmemesi gerektiğini belirtmektedir. Bazı piller için bu sembol, kimyasal bir sembole birleştirilerek kullanılmış olabilir. Eğer piller %0,0005 cıva veya %0,004 kurşun'dan fazla içeriktheyeseler, o zaman bu kimyasal semboller cıva (Hg) veya kurşun (Pb) için eklenir. Bu pillerin doğru şekilde bertaraf edilmesini sağlamakla, pillerin uygunsuz şekilde bertaraf edilmesinin neticesinde çevre ve insan sağlığına meydana gelebilecek olan potansiyel zararların engellenmesine de katkıda bulunmuş olacaksınız. Materyallerin geri dönüşürülmesi doğal kaynakların korunmasına yardımcı olacaktır. Ürünlerin güvenlik, performans veya veri entegrasyon gibi sebeplerden dolayı beraberlerindeki pille sürekli bir bağlantı gerektirdikleri durumlarda pilin yalnızca kalifiye servis personeli tarafından değiştirilmesi zorunludur. Pilin uygun bir şekilde değerlendirilmesini sağlamak amacıyla ürünü, kullanım süresinin sonunda elektrikli ve elektronik ekipmanların geri dönüşürülmesine ilişkin yürürlükte olan toplama noktasına teslim ediniz. Diğer tüm piller için lütfen pillerin üründen güvenli bir şekilde çıkarılmasına ilişkin bölümü inceleyiniz. Pili, atık pillerin geri dönüşürülmesine yönelik yürürlükteki toplama noktasına teslim ediniz. Bu ürünün veya pilin geri dönüşürülmesine ilişkin daha ayrıntılı bilgi için lütfen yerel Yetkili Dairenizle, evsel atık bertaraf servisinizle veya ürünü satın aldığımız mağazayla irtibat kurunuz.



Üretici Firma:

Sony Corporation

1-7-1 Konan, Minato-ku, Tokyo
108-0075 Japan

Türkiye İrtibat Numaraları:
Tel: 0216-633 98 00
Faks: 0216-632 70 30
email: bilgi@eu.sony.com

AEEE Yönetmeliğine Uygundur
PCB içermez

İTHALATÇI FİRMA

SONY®

SONY EURASIA PAZARLAMA AŞ.

Onur Ofis Park Plaza İnkılap Mah. Üntel Sok.
No: 10 Ümraniye 34768/İstanbul
Sony Bilgi ve Danışma Hattı: (212) 444 SONY (7669)

Televizyonu Duvara Monte Etme

Müşterilere

Bu ürünü monte etmek için yeterli uzmanlık gerekir. Montajı Sony satıcılarına veya lisanslı yüklenicilere yaptırın ve montaj sırasında emniyete özellikle dikkat edin. Sony, yanlış kullanımdan, nizami olmayan montajlardan veya belirtilenlerden farklı herhangi bir ürünün montajından kaynaklanan zararlardan veya yaralanmalardan sorumlu değildir. Yasal Haklarınız (varsa) etkilenmez.

Sony Satıcıları ve Yüklenicilerine:

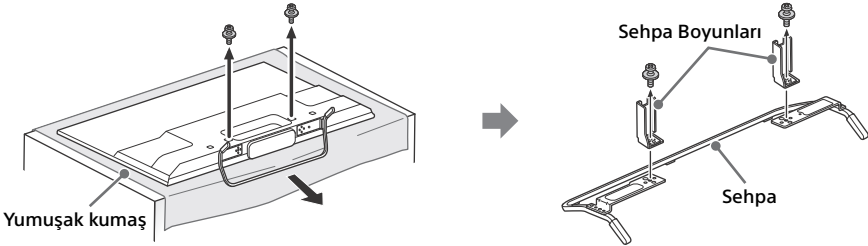
Bu ürünü monte etmek için yeterli uzmanlık gerekir. Bu kullanım kılavuzunu iyice okuduğunuzdan ve montaj işlerini emniyetli bir şekilde yaptığınızdan emin olun. Yanlış taşımanın veya hatalı montajın neden olduğu hasar veya yaralanmalardan Sony sorumlu değildir.

Televizyonunuzun Masa Üstü Sehpa Duvar Askı Aparatının parçası olarak kullanılacaktır.

Not

- Duvar Askı Aparatı montajı yapmadan önce DUVAR ASKI APARATI hakkında bilgi için 3. sayfaya (Güvenlik Bilgileri) ve 5. sayfaya (Uyarılar) bakın.
- Masa Üstü Sehpa televizyona takılıysa, önce Masa Üstü Sehpa'sını sökün.
- LCD ekranın yüzeyinin zarar görmesini önlemek için, Sehpa'yı sabitlerken veya Masa Üstü Sehpa'sını çıkarırken, televizyonu ekranı aşağı bakacak şekilde, televizyondan daha geniş, kalın ve yumuşak bir bez örtülü, düz ve sabit bir yüzeye yerleştirin.
- Sehpa Boyunları Sehpadan söküldüğünde, Sehpa Boyunlarını ve vidaları güvenli bir yerde bulundurduğunuzdan emin olun.
- Masa Üstü Sehpa'sını tekrar takarken, vidaları (önceden çıkarılan) televizyonun arkasındaki asıl deliklerine taktığınızdan emin olun.
- Açmadan önce televizyonun dikey konumda olduğundan emin olun. Görüntüde düzgünlüklerin oluşmasını önlemek için, televizyon LCD panel aşağıya bakarken açılmamalıdır.

Masa Üstü Sehpa'sını televizyondan sökmek için

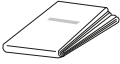


Aparatları duvara monte etme

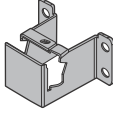
1 Gerekli öğeleri hazırlayın.

Duvar Askı Aparatı aksesuarları (birlikte verilir)

A Kağıt Şablon



- B Duvar Montaj Tabanı**
KDL-50W82xB,
KDL-50W81xB,
KDL-50W80xB,
KDL-50W70xB (2)
KDL-42W82xB,
KDL-42W81xB,
KDL-42W80xB,
KDL-42/32W70xB (1)



- C Sehpa Korumucu**
KDL-50W82xB,
KDL-50W81xB,
KDL-50W80xB,
KDL-50W70xB (2)
KDL-42W82xB,
KDL-42W81xB,
KDL-42W80xB,
KDL-42/32W70xB (1)



- D Vida**
(+PSW 6 x 12) (2)



E Ara parça (2)



- F Aparat Kapak Plakas**
KDL-50W82xB,
KDL-50W81xB,
KDL-50W80xB,
KDL-50W70xB (2)
KDL-42W82xB,
KDL-42W81xB,
KDL-42W80xB,
KDL-42/32W70xB (1)

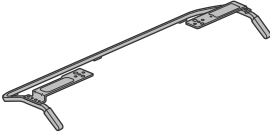


- G Vida (+PSW 4 x 10)**
KDL-50W82xB,
KDL-50W81xB,
KDL-50W80xB,
KDL-50W70xB (2)
KDL-42W82xB,
KDL-42W81xB,
KDL-42W80xB,
KDL-42/32W70xB (1)



Sehpa (birlikte verilir)

H

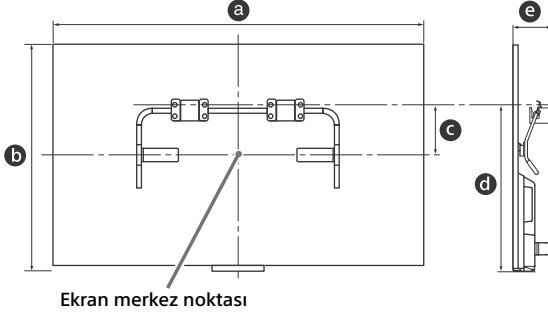


Duvar Montaj Tabanı vidaları (8 mm çapında, ürünle verilmmez)

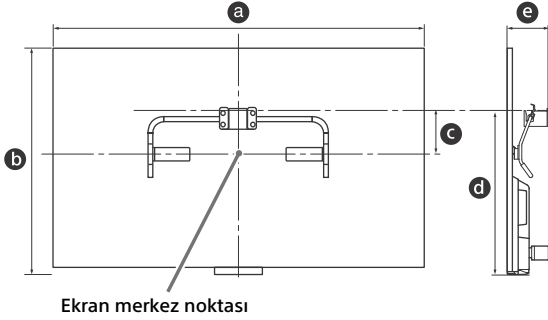
- KDL-50W82xB,
KDL-50W81xB,
KDL-50W80xB,
KDL-50W70xB (8)
KDL-42W82xB,
KDL-42W81xB,
KDL-42W80xB,
KDL-42/32W70xB (4)

- 2 Duvarda yeterli alan olduğundan ve televizyonun en az dört katı ağırlığı destekleyebildiğinden emin olun. Televizyonu duvara monte etmeyle ilgili aşağıdaki tabloya bakın. Televizyonun ağırlığı için 15-18. sayfaya (Spesifikasyonlar) bakın.

KDL-50W82xB, KDL-50W81xB, KDL-50W80xB, KDL-50W70xB



KDL-42W82xB, KDL-42W81xB, KDL-42W80xB, KDL-42/32W70xB



Birim: cm

Model adı KDL-	Görüntü boyutları		Ekran merkezi boyutu	Montaj uzunluğu	
	a	b	c	d	e
50W82xB/ 50W81xB/ 50W80xB/ 50W70xB	111,6	65,6	13,0	46,9	11,8
42W82xB/ 42W81xB/ 42W80xB/ 42W70xB	95,8	56,3	17,5	46,5	11,8
32W70xB	72,9	43,3	18,8	41,3	11,3

Not

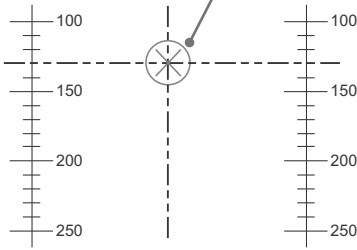
- Tablodaki rakamlar kurulumla ilgili olarak biraz değişebilir.

3 Kağıt Şablonda ① televizyonunuzun ekran merkezini gösteren bir işaret bırakın.

KDL-50W82xB, KDL-50W81xB,
KDL-50W80xB, KDL-50W70xB

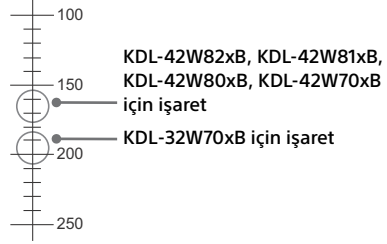
Kağıt Şablondaki ① ölçük

KDL-50W82xB, KDL-50W81xB,
KDL-50W80xB, KDL-50W70xB için işaret



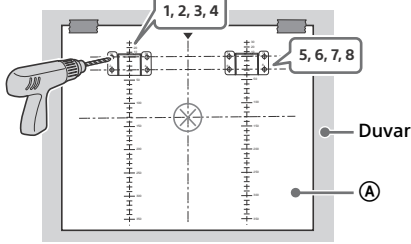
KDL-42W82xB, KDL-42W81xB,
KDL-42W80xB, KDL-42/32W70xB

Kağıt Şablondaki ① ölçük

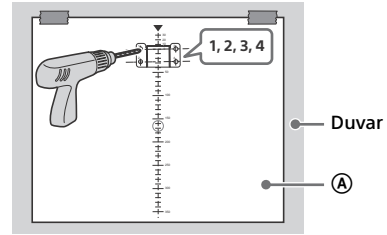


4 Kağıt Şablonu ① duvara bantlayın ve elektrikli matkap kullanarak Kağıt Şablondaki ① numaralara göre delikler açın.

KDL-50W82xB, KDL-50W81xB,
KDL-50W80xB, KDL-50W70xB



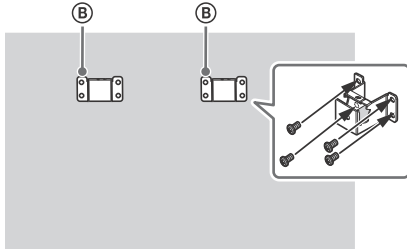
KDL-42W82xB, KDL-42W81xB,
KDL-42W80xB, KDL-42/32W70xB



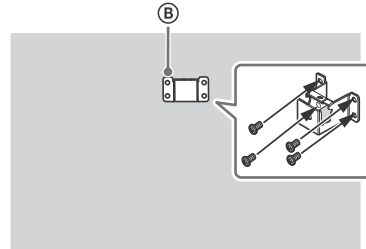
5 Kağıt Şablonu ① duvardan çıkarın.

6 Duvar Montaj Tabanını ② duvara vidaları kullanarak doğru şekilde takın (8 mm çapında, ürünle verilmez).

KDL-50W82xB, KDL-50W81xB,
KDL-50W80xB, KDL-50W70xB

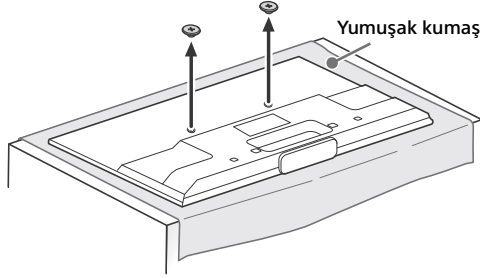


KDL-42W82xB, KDL-42W81xB,
KDL-42W80xB, KDL-42/32W70xB



Televizyonun montajı için hazırlanma

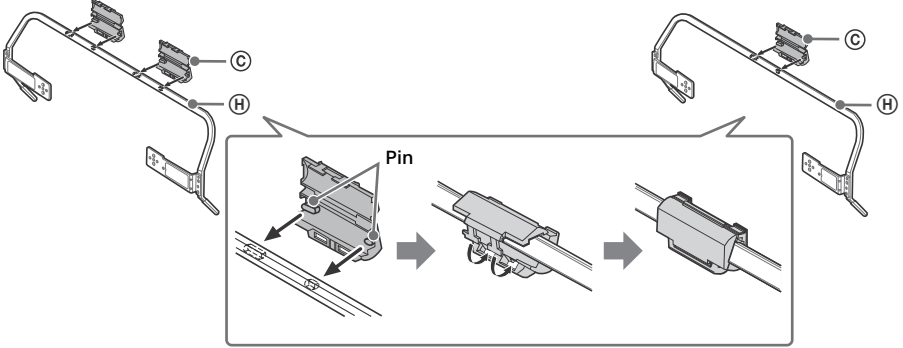
- 1 Televizyonun arkasındaki vidaları çıkarın. Çıkardığınız vidaları çocukların erişemeyeceği, güvenli bir yerde saklamayı unutmayın.



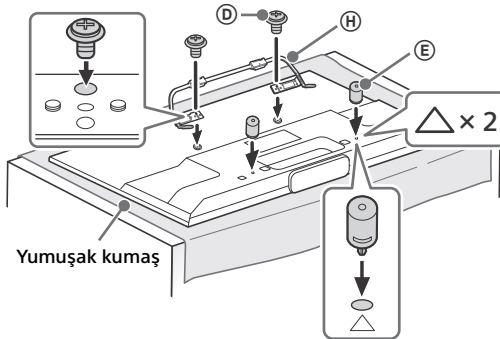
- 2 Pimi (Sehpa Koruyucudaki ©) Sehpadaki ④ deliğe takın, ardından Sehpa Koruyucuyu © yukarı katlayın. Sehpa Koruyucunun © Sehpaya ④ sıkıca kenetlendiğinden emin olun.

KDL-50W82xB, KDL-50W81xB,
KDL-50W80xB, KDL-50W70xB

KDL-42W82xB, KDL-42W81xB,
KDL-42W80xB, KDL-42/32W70xB

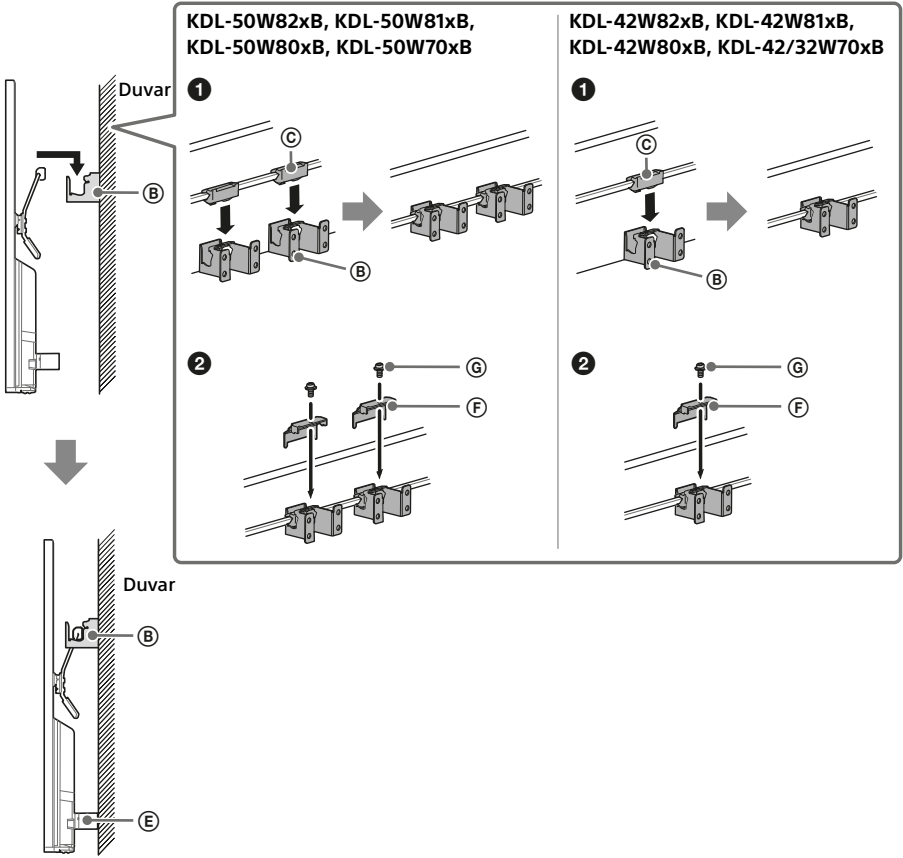


- 3 Sehpayı ④ birlikte verilen vidaları ⑤ kullanarak televizyona takın. Ara parçaları ⑥ üçgen işaretlerle gösterilen deliklere takın △. KDL-50W82xB, KDL-50W81xB, KDL-50W80xB, KDL-50W70xB gösterim amacıyla kullanılmıştır.



Televizyonu duvara monte etme

- 1 Televizyonu duvara monte etmeden önce kabloları bağlayıp demetlediğinizden emin olun.
- 2 Televizyonu duvara monte edin. Ardından, Sehpa Koruyucunun © Duvar Montaj Tabanına ⑧ sıkıca kenetlendiğinden ve Ara Parçaların ⑤ duvara temas ettiğinden emin olun. Aparat Kapak Plakasını ⑥ birlikte verilen vidaları ③ kullanarak takın.

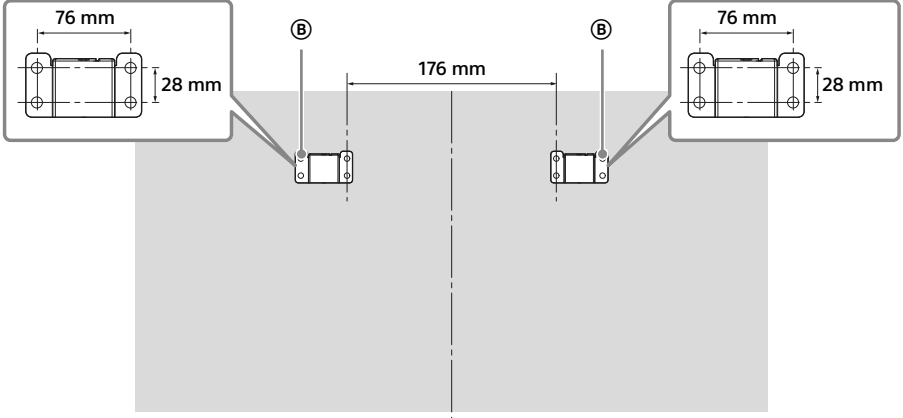


Duvardaki delik konumlarının boyutları

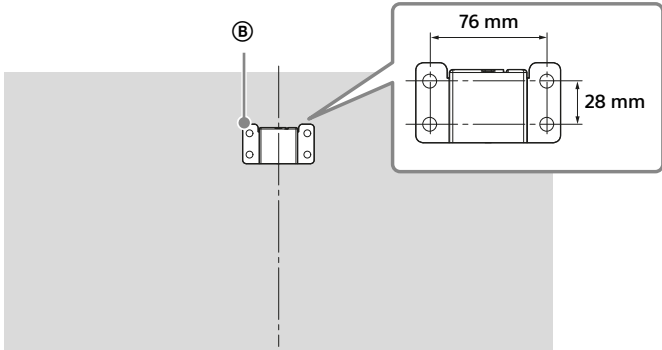
Aşağıdaki bilgileri gerektiğinde lisanslı yüklenicilere verin.

Duvar Montaj Tabanını ② duvara monte etmek için vida kullanın (8 mm çapında, ürünle verilmez). Kolay montaj için Duvar Montaj Tabanının asıl konumunu gösteren, birlikte verilen Kağıt Şablonu ① kullanmayı unutmayın.

KDL-50W82xB, KDL-50W81xB, KDL-50W80xB, KDL-50W70xB



KDL-42W82xB, KDL-42W81xB, KDL-42W80xB, KDL-42/32W70xB



TV modelinize ait Duvar Askı Aparatının kurulumuna dair talimatlar için şu web sitesine başvurunuz:
www.sony.eu/tv/wall-mount-bracket-manual

TR

Sorun Giderme

Aydınlatma LED'i kırmızı renkte yanıp sönerken, kaç kez yanıp söndüğünü sayın (aralık üç saniyedir).

Aydınlatma LED'i kırmızı renkte yanıp sönüyorsa, güç kablosunu televizyondan iki dakika boyunca ayırarak televizyonu sıfırlayın, ardından televizyonu açın.

Sorun devam ederse, satıcınızla veya Sony servis merkeziyle temasa geçin ve aydınlatma LED'inin kırmızı renkte yanıp sönme sayısını da belirtin (yanıp sönme aralığı üç saniyedir). Televizyonu kapatmak için üzerindeki I/⏻ düğmesine basın, güç kablosunu ayırın ve satıcınızı veya Sony servis merkezini bilgilendirin.

Aydınlatma LED'i yanıp sönmüyorsa, aşağıdaki tablodaki öğeleri kontrol edin.

i-Manual'de [Sorun Giderme] öğesine başvurabilir veya ? [Yardım] → [Müşteri Desteği] → [Kendini Tanılama] öğesini seçerek kendini tanılama işlemini yürütülebilirsiniz. Sorun devam ederse, televizyonunuzu yetkili bir servis personeline gösterin.

Sorunlar ve Çözümleri

Görüntü yok (ekran siyah) ve ses yok.

- Anten/kablo bağlantılarını kontrol edin.
- Televizyonu AC gücüne bağlayın ve televizyondaki veya uzaktan kumandadaki I/⏻ öğesine basın.

Bazı programlar ayarlanamıyor.

- Anten veya çanağı kontrol edin.
- Uydu kablosu kısa devre olmuş veya kabloda bağlantı hatası olabilir. Kablo bağlantısını kontrol edin ve ardından televizyonu ana güç açma/kapatma düğmesinden kapatın ve tekrar açın.
- Girdiğiniz frekans aralığın dışındadır. Alınan uydu yayın şirketine danışın.

Kablolu televizyon hizmeti (programlar) bulunamadı.

- Kablo bağlantısını veya ayarlama yapılandırmasını kontrol edin.
- [Kablo] yerine [Karasal] seçeneğini seçerek [Dijital Otomatik Ayar] işlemini deneyin.

Uzaktan kumanda çalışmıyor.

- Pilleri değiştirin.
- Televizyonunuz SYNC modunda olabilir. SYNC MENU düğmesine basın, [TV Kontrolü] öğesini seçin ve ardından televizyonu kumanda etmek için [Home (Menü)] veya [Seçenekler] öğesini seçin.

[Ebeveyn Kilidi] parolası unutulmuştur.

- PIN kodu olarak 9999 girin. (PIN kodu olarak 9999 her zaman kabul edilir.)

Televizyonun çevresi ısınıyor.

- Televizyon uzun süre kullanıldığında, televizyonun çevresi ısınır. Buraya elle dokunduğunuzda sıcaklığı hissedebilirsiniz.

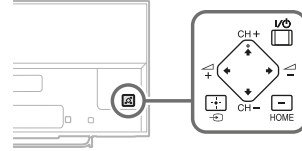
Ses veya görüntü donuyor, ekran boş veya televizyon uzaktan kumanda veya televizyon düğmelerinin komutlarına tepki vermiyor.

- AC güç kablosunu prizden ayırıp iki dakika sonra tekrar bağlayarak basit bir televizyon testi yapın.

I/⏻, CH+/-, ▲ +/-, ▲/▼/▲/▼, ⏪, ⏩ ve HOME düğmeleri televizyonda bulunamıyor.

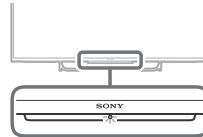
- Düğmelerin televizyondaki yeri için aşağıdaki çözüme bakın.

Televizyonun arkası



Aydınlatma LED'i yanıyor.

- Aydınlatma LED'inin yanmasını istemiyorsanız, kapatabilirsiniz. HOME düğmesine basın, ardından [Ayarlar] → [Sistem Ayarları] → [Genel Ayar] → [Aydınlatma LED'i] → [Kapalı]. Ayrıca OPTIONS düğmesine basıp, [Aydınlatma LED'i] → [Kapalı] öğesini seçebilirsiniz.



WPS ile bir kablosuz yönlendiriciye bağlanamıyor.

- WEP güvenliği kullanıyorsanız, [Kolay] → [Wi-Fi] → [Tarama listesi ile bağlan] öğelerini seçin.
Ardından, bağlanmak istediğiniz ağ adını (SSID) seçin.

Ağ ayarında gerekli ağ adı bulunamıyor.

- [[Manuel Giriş]] öğesini seçin ve ağ adını girmek için ⊕ düğmesine basın.

Spesifikasyonlar

Sistem

Panel Sistemi

LCD (Sıvı Kristal Ekran) Panel, LED'li arkadan aydınlatma

Televizyon Sistemi

Analog: Ülke/alan seçiminize bağlı olarak B/G, D/K, L, I, M
Dijital: DVB-T/DVB-C
DVB-T2
Uydu: DVB-S/DVB-S2

Renk/video Sistemi

Analog: PAL, SECAM, NTSC3.58, NTSC4.43
Dijital: i-Manual'e başvurun.

Kanal kapsamı

Analog: Ülke/alan seçiminize bağlı olarak UHF/VHF/Kablolu yayın.
Dijital: Ülke/alan seçiminize bağlı olarak UHF/VHF/Kablolu yayın.
Uydu: IF Frekansı 950-2150 MHz

Ses çıkışı

8 W + 8 W (KDL-32W70xB hariç)
5 W + 5 W (sadece KDL-32W70xB)

Kablosuz teknolojisi

IEEE802.11a/b/g/n protokolü

Giriş/Çıkış jakları

Anten kablosu

VHF/UHF için 75 ohm harici terminal

Uydu anteni

Dişi F tipi Konektör IEC169-24, 75 ohm.
DiSEqC 1.0, LNB 13 V/18 V ve 22 kHz ton, Tek Kablo Dağıtımı EN50494.

/ AV1

21-pinli scart konektörü (CENELEC standart), ses/video girişi, RGB girişi ve televizyon ses/video çıkışı da dahil.

/ COMPONENT IN

YPbPr (Component Video): 1080p (50, 60 Hz), 1080i (50, 60 Hz), 720p (50, 60 Hz), 576p, 576i, 480p, 480i
Ses girişi (RCA jaklar)

AV2

Video girişi (Y giriшли ortak RCA pini)

HDMI IN 1, 2, 3, 4 (KDL-50/42/32W70xB hariç)

Video (2D): 1080p (30, 50, 60 Hz), 1080/24p, 1080i (50, 60 Hz), 720p (30, 50, 60 Hz), 720/24p, 576p, 576i, 480p, 480i, PC Formatları

Video (3D):

Kare Paketleme: 1080p (30 Hz), 1080/24p, 1080i (50, 60 Hz), 720p (30, 50, 60 Hz), 720/24p
Yan Yana: 1080p (50, 60 Hz), 1080/24p, 1080i (50, 60 Hz), 720p (50, 60 Hz)
Alt Alta: 1080p (30, 50, 60 Hz), 1080/24p, 1080i (50, 60 Hz), 720p (50, 60 Hz)

Ses: 5.1 kanallı doğrusal PCM: 32, 44,1 ve 48 kHz, 16, 20 ve 24 bit, Dolby Digital
ARC (Audio Return Channel) (sadece HDMI IN 2)

HDMI IN 1, 2, 3, 4 (sadece KDL-50/42/32W70xB)

Video: 1080p (30, 50, 60 Hz), 1080/24p, 1080i (50, 60 Hz), 720p (30, 50, 60 Hz), 720/24p, 576p, 576i, 480p, 480i, PC Formatları
Ses: 5.1 kanallı doğrusal PCM: 32, 44,1 ve 48 kHz, 16, 20 ve 24 bit, Dolby Digital
ARC (Audio Return Channel) (sadece HDMI IN 2)

MHL (HDMI IN 1 ile ortak)

(KDL-50/42/32W70xB hariç)

Video (2D): 1080p (30 Hz), 1080/24p, 1080i (50, 60 Hz), 720p (30, 50, 60 Hz), 720/24p, 576p, 576i, 480p, 480i

Video (3D):

Yan Yana: 1080/24p, 1080i (50, 60 Hz), 720p (50, 60 Hz)
Alt Alta: 1080p (30 Hz), 1080/24p, 1080i (50, 60 Hz), 720p (50, 60 Hz)

Ses: 5.1 kanallı doğrusal PCM: 32, 44,1 ve 48 kHz, 16, 20 ve 24 bit, Dolby Digital

MHL (HDMI IN 1 ile ortak)

(sadece KDL-50/42/32W70xB)

Video: 1080p (30 Hz), 1080/24p, 1080i (50, 60 Hz), 720p (30, 50, 60 Hz), 720/24p, 576p, 576i, 480p, 480i

Ses: 5.1 kanallı doğrusal PCM: 32, 44,1 ve 48 kHz, 16, 20 ve 24 bit, Dolby Digital

DIGITAL AUDIO OUT (OPTICAL)

Dijital optik jak (iki kanal doğrusal PCM, Dolby Digital)

AUDIO OUT

Ses çıkışı (stereo minijak)
Kulaklık jakı
(Subwoofer çıkışı desteği)

ψ1 (HDD REC), ψ2

USB HDD cihaz bağlantı noktası (sadece ψ1),
USB portu



CAM (Koşullu Erişim Modülü) yuvası

DC IN 19.5 V

Adaptör girişi

LAN

10BASE-T/100BASE-TX konektörü (Ağın çalışma ortamına bağlı olarak bağlantı hızı değişebilir. Bu TV için 10BASE-T/100BASE-TX iletişim hızı ve iletişim kalitesi garanti edilmemektedir.)

Diğer

Opsiyonel aksesuarlar

Dokunmatik Yüzeyle Uzaktan Kumanda:

RMF-ED004

Kamera ve Mikrofon Ünitesi: CMU-BR200/
CMU-BR100

Kablosuz Subwoofer: SWF-BR100

MHL Kablosu: DLC-MB10/DLC-MB20/DLC-MC10/
DLC-MC20

Aktif 3D Gözlük: TDG-BT500A (sadece
KDL-50W82xB, KDL-50W81xB, KDL-50W80xB)



Pasif 3D Gözlük: TDG-500P (sadece
KDL-42W82xB, KDL-42W81xB, KDL-42W80xB)



Çalışma sıcaklığı

0 °C ila 40 °C

Çalışma nemi

%10 ila %80 bağıl nem (yoğuşmasız)

Güç ve diğerleri

Güç gereksinimleri

AC adaptörüyle 19,5 V DC

Nominal: Giriş 220 V - 240 V AC, 50 Hz

Enerji Verimliliği Sınıfı

KDL-50W82xB, KDL-50W81xB, KDL-50W80xB,

KDL-50W70xB: A++

KDL-42W82xB, KDL-42W81xB, KDL-42W80xB,

KDL-42W70xB: A+

KDL-32W70xB: A

Ekran boyutu (diyagonal olarak ölçülen)

(Yaklaşık)

KDL-50W82xB, KDL-50W81xB, KDL-50W80xB,

KDL-50W70xB: 50 inç / 125,7 cm

KDL-42W82xB, KDL-42W81xB, KDL-42W80xB,

KDL-42W70xB: 42 inç / 106,7 cm

KDL-32W70xB: 32 inç / 80,1 cm

Güç tüketimi

[Standart] modunda

KDL-50W82xB, KDL-50W81xB, KDL-50W80xB,
KDL-50W70xB: 51 W
KDL-42W82xB, KDL-42W81xB, KDL-42W80xB,
KDL-42W70xB: 50 W
KDL-32W70xB: 39 W

[Canlı] modunda

KDL-50W82xB, KDL-50W81xB, KDL-50W80xB,
KDL-50W70xB: 100 W
KDL-42W82xB, KDL-42W81xB, KDL-42W80xB,
KDL-42W70xB: 99 W
KDL-32W70xB: 80 W

Ortalama yıllık enerji tüketimi*1

KDL-50W82xB, KDL-50W81xB, KDL-50W80xB,
KDL-50W70xB: 71 kWh
KDL-42W82xB, KDL-42W81xB, KDL-42W80xB,
KDL-42W70xB: 69 kWh
KDL-32W70xB: 54 kWh

Bekleme modunda güç tüketimi*2

0,5 W (Yazılım/EPG güncelleme modunda 10 W)

Görüntü çözünürlüğü

1.920 nokta (yatay) × 1.080 satır (dikey)

Boyutlar (Yaklaşık) (g × y × d)

Masa Üstü Sehpası ile

KDL-50W82xB, KDL-50W81xB, KDL-50W80xB,
KDL-50W70xB: 111,6 × 69,3 × 17,9 cm
KDL-42W82xB, KDL-42W81xB, KDL-42W80xB,
KDL-42W70xB: 95,8 × 60,0 × 17,0 cm
KDL-32W70xB: 72,9 × 46,5 × 14,1 cm

Masa Üstü Sehpası olmadan

KDL-50W82xB, KDL-50W81xB, KDL-50W80xB,
KDL-50W70xB: 111,6 × 65,6 × 6,4 cm
KDL-42W82xB, KDL-42W81xB, KDL-42W80xB,
KDL-42W70xB: 95,8 × 56,3 × 6,4 cm
KDL-32W70xB: 72,9 × 43,3 × 6,4 cm

Ağırlık (Yaklaşık)

Masa Üstü Sehpası ile

KDL-50W82xB, KDL-50W81xB, KDL-50W80xB,
KDL-50W70xB: 14,8 kg
KDL-42W82xB, KDL-42W81xB, KDL-42W80xB,
KDL-42W70xB: 11,7 kg
KDL-32W70xB: 7,9 kg

Masa Üstü Sehpası olmadan

KDL-50W82xB, KDL-50W81xB, KDL-50W80xB,
KDL-50W70xB: 13,6 kg
KDL-42W82xB, KDL-42W81xB, KDL-42W80xB,
KDL-42W70xB: 10,5 kg
KDL-32W70xB: 6,9 kg

- *1 Televizyonun 365 gün boyunca günde 4 saat çalıştırıldığındaki enerji tüketimi baz alındığında enerji tüketimidir. Gerçek enerji tüketimi televizyonun nasıl kullanıldığına bağlı olarak değişecektir.
- *2 Belirtilen bekleme durumundaki güce, sadece televizyonun gerekli dahili işlemleri tamamladıktan sonra ulaşılır.

Not

- Model adında yazılı olan "x", tasarım, renk veya televizyon sistemi farkı ile ilgili tek haneli numaraya karşılık gelmektedir.
- CAM'de yerleştirilmiş bir akıllı kart takmanın dışında TV CAM (Koşullu Erişim Modülü) yuvasındaki göstermelik kartı çıkarmayın.
- Opsiyonel aksesuarlar ülkeye/bölgeye/televizyon modeline/stok durumuna göre bulunur.
- Tasarım ve özelliklerde bilgi vermesizden değişiklik yapılabilir.
- Bu televizyon MHL 2 kullanır.

Dijital TV fonksiyonu hakkında

- Dijital TV (DVB) ile ilgili her fonksiyon, sadece DVB-T/DVB-T2 (MPEG-2 ve H.264/MPEG-4 AVC) dijital yer sinyallerin yayımlandığı ülkelerde ve bölgelerde veya uyumlu bir DVB-C (MPEG-2 ve H.264/MPEG-4 AVC) kablolu yayın servisine erişiminizin olması durumunda çalışır. Oturduğunuz semtte bir DVB-T/DVB-T2 sinyalini alıp alamayacağınızı yerel satıcınıza veya sunduğu DVB-C kablolu yayın servisi eğer bu televizyon ile entegre kullanım için uygunsa, kablolu yayın sağlayıcınıza sorunuz.
- Kablolu yayın sağlayıcınız verdiği hizmet için bir ücret talep edebilir veya ticari şart ve koşullarına uymanız gerekebilir.
- Bu televizyon seti DVB-T/DVB-T2 ve DVB-C spesifikasyonlarına uymaktadır fakat gelecekteki DVB-T/DVB-T2 dijital yerden ve DVB-C dijital kablolu yayınlara uyumluluk garanti edilemez.
- Bazı Dijital TV fonksiyonları bazı ülkelerde/alanlarda mevcut olmayabilir ve DVB-C kablosu bazı hizmet sağlayıcıları ile uygun şekilde çalışmayabilir.

Ticari markaya ilişkin bilgi

- HDMI ve HDMI High-Definition Multimedia Interface terimleri ve HDMI Logosu, HDMI Licensing LLC şirketinin Amerika Birleşik Devletleri'nde ve diğer ülkelerde ticari markaları veya tescilli ticari markalarıdır.
- DLNA®, DLNA Logosu ve DLNA CERTIFIED®, Digital Living Network Alliance şirketinin ticari markaları, hizmet markaları veya sertifikalama markalarıdır.
- Dolby Laboratories lisansı altında üretilmiştir. Dolby ve çift D sembolü, Dolby Laboratories'ın ticari markalarıdır.
- "BRAVIA" VE BRAVIA Sony Corporation'un ticari markalarıdır.
- TrackID, Sony Mobile Communications AB şirketinin ticari markası veya tescilli ticari markasıdır.
- Gracenote, Gracenote eyeQ, Gracenote VideoID, Gracenote Video Explore, Gracenote MusicID, Gracenote logosu ve logo türü ve "Powered by Gracenote" logosu, Gracenote'un Amerika Birleşik Devletleri ve/veya diğer ülkelerde tescilli ticari markaları veya ticari markalarıdır.
- Opera® Devices SDK from Opera Software ASA. Copyright 1995-2014 Opera Software ASA. All rights reserved.
- Wi-Fi, Wi-Fi Direct ve Miracast, Wi-Fi Alliance'ın ticari markaları veya tescilli ticari markalarıdır.
- "Sony Entertainment Network logosu" ve "Sony Entertainment Network" Sony Corporation'ın ticari markalarıdır.
- MHL, Mobile High-Definition Link ve MHL Logosu, MHL Licensing, LLC şirketini ticari markaları veya tescilli ticari markalarıdır.
- DTS patentleri için, <http://patents.dts.com> adresini ziyaret edin. DTS Licensing Limited'in lisansı altında üretilmiştir. DTS, Sembol, & DTS ve Sembol birlikte tescilli ticari markalardır ve DTS Digital Surround DTS, Inc.'in ticari markasıdır. © DTS, Inc. Tüm Hakları Saklıdır.
- Designed with UEI Technology™
Under License from Universal Electronics Inc. Portions © UEI 2000 – 2013

- Bluetooth® kelime markasının ve logolarının sahibi Bluetooth SIG, Inc. şirkettir ve bu tip markalar Sony Corporation tarafından lisansla kullanılmaktadır. Diğer ticari markalar ve ticari adlar ilgili sahiplerine aittir.
- DiSEqC™ EUTELSAT şirketinin bir ticari markasıdır.
Bu televizyon DiSEqC 1.0'ı destekler. Bu televizyon motorlu antenleri kumanda etmek için tasarlanmamıştır.

Содержание

ВАЖНОЕ ПРИМЕЧАНИЕ	3
Сведения по безопасности	3
Меры предосторожности	6
Установка телевизора на стену	8
Установка кронштейнов на стену	9
Подготовка к установке телевизора	12
Установка телевизора на стене	13
Поиск неисправностей	15
Поиск и устранение неисправностей	15
Технические характеристики	16

Введение

Благодарим Вас за то, что Вы выбрали этот телевизор Sony. Перед первым включением телевизора внимательно ознакомьтесь с данной инструкцией по эксплуатации и сохраните ее для консультаций в будущем.

Примечание

- Перед началом работы с телевизором прочитайте раздел "Сведения по безопасности" (стр. 3).
- Инструкции "Установка телевизора на стену" содержатся в данной инструкции по эксплуатации телевизора.
- Рисунки и изображения, используемые в документе "Краткое руководство" и в настоящем руководстве, представлены только для справки и могут отличаться от фактического изделия.

Расположение идентифицирующей этикетки

Этикетки с номером модели телевизора, датой его производства (месяц/год) и номинальной мощностью электропитания расположены на задней панели телевизора или на упаковке.

Этикетки с номером модели и серийным номером сетевого адаптера расположены в нижней части сетевого адаптера.

Дата изготовления указана на изделии и упаковке на этикетке со штрих-кодом в следующем формате: MM.YYYY, где MM - месяц, YYYY - год изготовления.

ПРЕДУПРЕЖДЕНИЕ ВО ИЗБЕЖАНИЕ ВОЗГОРАНИЯ



**ДЕРЖИТЕ СВЕЧИ ИЛИ
ИСТОЧНИКИ ОТКРЫТОГО
ОГНЯ ВДАЛИ ОТ ИЗДЕЛИЯ В
ТЕЧЕНИЕ ВСЕГО ВРЕМЕНИ
ЕГО РАБОТЫ.**

Для покупателей в Беларуси и России

Устройство KDL-50W828B, KDL-50W706B, KDL-50W705B, KDL-42W828B, KDL-42W706B, KDL-42W705B, KDL-32W706B, KDL-32W705B предназначено только для использования в помещениях.

Информация для покупателей в Украине

Уполномоченный представитель в Украине по вопросам соответствия требованиям технических регламентов:
ООО "Сони Украина", ул. Спасская 30, г. Киев, 04070, Украина.

Оборудование отвечает требованиям:

- Технического регламента безопасности низковольтного электрического оборудования (постановление КМУ от 29.10.2009 № 1149);
- Технического регламента по электромагнитной совместимости оборудования (постановление КМУ от 29.07.2009 № 785);
- Технического регламента ограничения использования некоторых опасных веществ в электрическом и электронном оборудовании (постановление КМУ от 03.12.2008 № 1057)

Производитель Сони Корпорейшн этим декларирует, что телевизоры моделей KDL-50W828B, KDL-50W706B, KDL-50W705B, KDL-42W828B, KDL-42W706B, KDL-42W705B, KDL-32W706B, KDL-32W705B отвечают требованиям и другим применимым положениям Технического регламента радиооборудования и телекоммуникационного конечного (терминального) оборудования. Получить декларацию соответствия можно по адресу ООО "Сони Украина", ул. Спасская 30, г. Киев, 04070, Украина, e-mail info@sony.ua.



ВАЖНОЕ ПРИМЕЧАНИЕ

Название продукта: Телевизор

Примечания в отношении беспроводной связи



Настоящим Sony Corporation заявляет, что данное устройство удовлетворяет основным требованиям и соответствующим положениям Директивы 1999/5/EC. Для получения дополнительной информации посетите веб-сайт по следующему URL-адресу: <http://www.compliance.sony.de/>

Примечание для покупателей. Следующая информация применима только для оборудования, продающегося в странах, где действуют директивы ЕС.

Систему беспроводного телевидения можно использовать в следующих странах.

AT, BE, HR, CY, CZ, DK, EE, FI, FR, DE, GR, HU, IE, IT, LV, LT, LU, MT, NL, PL, PT, SK, SI, ES, SE, GB, IS, LI, NO, CH, BG, RO, TR, AL, BA, MK, MD, RS, ME

Данное оборудование можно использовать в других неевропейских странах.

Производитель: Сони Корпорейшн, 1-7-1 Конан, Минато-ку, Токио, Япония, 108-0075.

Сделано в Словакии и Малайзии

Страна производства указана на изделии и упаковке.



Импортер на территории стран Таможенного союза: ЗАО «Сони Электроникс», Россия, 123103, Москва, Карамышевский проезд, 6

Организация, уполномоченная принимать претензии от потребителей на территории Казахстана ЗАО «Сони Электроникс»

Представительство в Казахстане, 0500059, Алматы, улица Иванилова, д. 58

Сведения по безопасности

ВНИМАНИЕ

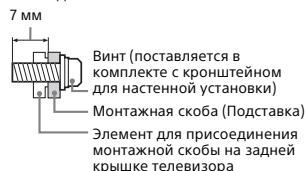
Батареи не должны подвергаться чрезмерному нагреву, например, вследствие воздействия солнечных лучей, огня и т.п.

Установка/подключение

Во избежание возгорания, поражения электрическим током, повреждения телевизора и/или травмы выполняйте установку и эксплуатацию телевизора в соответствии с нижеследующими указаниями.

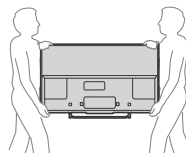
Установка

- Телевизор следует устанавливать вблизи легкодоступной сетевой розетки.
 - Во избежание опрокидывания или повреждения телевизора и получения травмы установите телевизор на устойчивую ровную поверхность.
 - Настенная установка телевизора должна выполняться только квалифицированными специалистами сервисной службы.
 - По соображениям безопасности настоятельно рекомендуется использовать аксессуары Sony, в том числе: — Кронштейн для настенной установки
 - Обязательно используйте винты, прилагаемые к кронштейну для настенной установки, когда будете прикреплять монтажные скобы (подставка) к телевизору. Прилагаемые винты имеют конструкцию, которая указана на рисунке, при измерении от контактной поверхности монтажной скобы (подставка). Диаметр и длина винтов различны в зависимости от модели кронштейна для настенной установки.
- Использование винтов, отличных от входящих в комплект поставки, может привести к повреждению телевизора или вызвать его падение и т.д.



Перемещение

- Перед перемещением телевизора отсоедините от него все кабели.
- Для переноски телевизора больших размеров требуются два или три человека.
- При переноске телевизора вручную держите его, как показано ниже. Не прикладывайте усилия к ЖК-панели и рамке экрана.



- При перевозке берегите телевизор от ударов и сильной вибрации.
- Если необходимо доставить телевизор в ремонтную мастерскую или перевезти в другое место, упакуйте его в картонную коробку и упаковочный материал, в которых он поставлялся изначально.

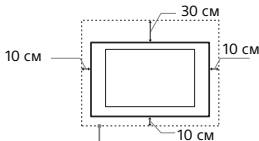
Защита от опрокидывания

- Приступая к установке крепежного винта, положите телевизор экраном вниз на устойчивую широкую поверхность.
- Во избежание повреждения поверхности ЖК-дисплея положите на рабочую поверхность мягкую ткань.

Вентиляция

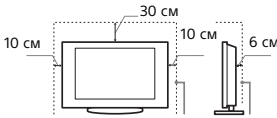
- Никогда не перекрывайте вентиляционные отверстия и не вставляйте в них никакие предметы.
- Оставьте свободное пространство вокруг телевизора, как показано на рисунке ниже.
- Для обеспечения надлежащей циркуляции воздуха настоятельно рекомендуется использовать специальный кронштейн для настенной установки производства компании Sony.

Настенная установка



Обеспечьте вокруг телевизора расстояние не меньше указанного.

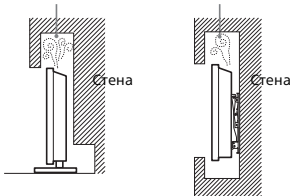
Установка на подставке



Обеспечьте вокруг телевизора расстояние не меньше указанного.

- Для обеспечения надлежащей вентиляции и предотвращения скопления грязи и пыли:
 - Не кладите телевизор экраном вниз; не устанавливайте телевизор перевернутым нижней стороной вверх, задом наперед или набок.
 - Не устанавливайте телевизор на полке, ковре, кровати или в шкафу.
 - Не накрывайте телевизор тканью, например, занавесками, а также газетами и т.п.
 - Не устанавливайте телевизор так, как показано на рисунке ниже.

Циркуляция воздуха нарушена.



Кабель питания

Во избежание возгорания, поражения электрическим током, повреждения телевизора и/или травм обращайтесь с кабелем питания и сетевой розеткой в соответствии с нижеследующими указаниями:

- Используйте только кабели питания поставки Sony, не пользуйтесь кабелями других поставщиков.
- Вставляйте вилку в розетку до конца.
- Используйте для питания телевизора только сеть переменного тока напряжением 220-240 В.
- Выполняя кабельные соединения между устройствами, в целях безопасности извлеките кабель питания из сетевой розетки и будьте осторожны, чтобы не запнуться о кабели.
- Перед выполнением каких-либо работ с телевизором или его переноской выньте вилку кабеля питания от сети.
- Кабель питания не должен находиться рядом с источниками тепла.
- Регулярно чистите вилку кабеля питания, предварительно вынув ее из розетки. Если на вилке имеется пыль, в которой скапливается влага, это может привести к повреждению изоляции и, как следствие, к возгоранию.

Примечание

- Не используйте входящий в комплект поставки кабель питания с другим оборудованием.
- Не пережимайте, не перегибайте и не перекручивайте кабель питания, прилагае излишние усилия. В противном случае могут оголиться или переломиться внутренние жилы кабеля.
- Не изменяйте конструкцию кабеля питания.
- Не ставьте и не кладите никакие тяжелые предметы на кабель питания.
- Вынимая кабель питания из розетки, не тяните за сам кабель.
- Не подключайте слишком много приборов к одной электророзетке.
- Не пользуйтесь электророзеткой с плохими контактами.

ПРИМЕЧАНИЕ О СЕТЕВОМ АДАПТЕРЕ

Предупреждение

Чтобы не допустить возгорания или поражения электрическим током, не подвергайте аппарат воздействию дождя или влаги.

Чтобы не допустить возгорания или поражения электрическим током, не ставьте на аппаратуру емкости с жидкостью, например вазы. Не устанавливайте это оборудование в замкнутом объеме, например на книжной полке или подобном месте.

- Убедитесь, что электрическая розетка находится рядом с устройством в легкодоступном месте.
- Обязательно используйте прилагаемый сетевой адаптер и кабель питания.
- Не используйте другие сетевые адаптеры. Это может привести к неисправности.
- Подключите сетевой адаптер к легкодоступной электрической розетке.
- Не обматывайте кабель питания вокруг сетевого адаптера. В противном случае может обломиться провод с сердечником, что приведет к неисправности проигрывателя мультимедиа.
- Не прикасайтесь к сетевому адаптеру влажными руками.
- Если вы заметите, что сетевой адаптер работает неправильно, немедленно отключите его от электрической розетки.
- Пока устройство включено в электрическую розетку, на него по-прежнему подается электропитание, даже если само устройство выключено.
- При длительном использовании сетевого адаптера может нагреваться, это можно почувствовать, прикоснувшись к нему рукой.



Запрещенные типы установки

Во избежание возгорания, поражения электрическим током, повреждения телевизора и/или травм не устанавливайте/не эксплуатируйте телевизор в таких местах, помещениях и ситуациях, которые перечислены ниже.

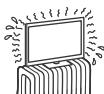
Места расположения:

- На открытом воздухе (под прямыми солнечными лучами), на берегу моря, на корабле или другом судне, в автомобиле, в медицинских учреждениях, в неустойчивом положении; вблизи воды, или там, где возможно воздействие на него дождя, влаги или дыма.
- При установке в развлекательная бейсина или горячего источника присутствующего в воздухе сера и т. п. могут вызвать повреждения телевизора.
- Для обеспечения наилучшего качества изображения не подвергайте экран воздействию прямого освещения или солнечного света.
- Телевизор не рекомендуется переносить из холодного помещения в теплое. Резкие изменения температуры в помещении могут вызвать конденсацию влаги. Это может привести к снижению качества изображения телевизора и/или искажению цветов. В этом случае дожидитесь полного испарения влаги, прежде чем включать телевизор.



Помещения:

- В жарких, влажных или слишком запыленных помещениях; в местах, где могут быть насекомые; в таких местах, в которых телевизор может быть подвержен механической вибрации; вблизи огнеопасных объектов (свечей и др.). На телевизор не должны попадать какие-либо капли или брызги; нельзя ставить на него предметы, содержащие жидкости, например вазу с цветами.
- Не устанавливайте телевизор в поврежденных или пыльных помещениях или в помещениях с масляным дымом или паром (неподалеку от кухонных столов или увлажнителей воздуха). Иначе может произойти возгорание, удар электрическим током или деформация.
- Не устанавливайте телевизор там, где возможно сильное повышение температуры, например под прямыми солнечными лучами, рядом с отопительными приборами или обогревателями. В таких условиях телевизор может перегреться, что приведет к деформации корпуса и/или повреждению телевизора.



Ситуации:

- Не касайтесь телевизора мокрыми руками; не эксплуатируйте его со снятым корпусом или с дополнительными аксессуарами, не рекомендованными изготовителем. Во время грозы отключайте телевизор от розетки электропитания и антенны.
- Не устанавливайте телевизор так, чтобы он выдавался в открытое пространство. Иначе возможны травмы или повреждения оборудования от удара о телевизор.



Осколки:

- Не бросайте никакие предметы в телевизор. От удара экранное стекло может разбиться и нанести серьезную травму.
- Если на поверхности телевизора образовались трещины, перед тем, как прикоснуться к нему, выньте кабель питания из розетки. В противном случае Вы можете получить удар электрическим током.

Если телевизор не используется

- Если Вы не собираетесь пользоваться телевизором в течение нескольких дней, по соображениям безопасности и энергосбережения его следует отключить от сети электропитания.
- Так как телевизор не отключается от сети при выключении кнопкой, для его полного отключения от электропитания выньте вилку кабеля питания из розетки.
- Следует иметь в виду, что некоторые телевизоры обладают функциями, для корректной работы которых требуется оставлять телевизор в дежурном режиме.

Меры предосторожности в отношении детей

- Не позволяйте детям взбираться на телевизор.
- Храните мелкие детали вне досягаемости детей, чтобы они не могли случайно проглотить их.

Если имеют место следующие неисправности...

Немедленно выключите телевизор и выньте вилку кабеля питания из розетки в следующих случаях. Обратитесь к своему дилеру или в сервисный центр Sony для того, чтобы квалифицированные специалисты сервисной службы выполнили проверку телевизора.

В случае, если:

- Повреждена кабель питания.
- Электророзетка имеет плохие контакты.
- Телевизор получил повреждение в результате падения, удара или попадания брошенным в него предметом.
- Внутри корпуса телевизора через отверстия попала жидкость или какой-либо предмет.

О температуре ЖК-монитора

При длительном использовании ЖК-монитора его поверхность нагреваются. Они становятся горячими на ощупь.

КРОНШТЕЙН ДЛЯ НАСТЕННОЙ УСТАНОВКИ

В приведенной ниже информации показано правильное обращение с кронштейном для настенной установки. Обязательно внимательно прочтите эту информацию и используйте кронштейн для настенной установки правильно.

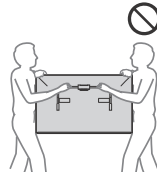
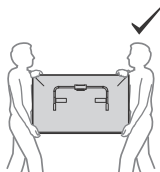
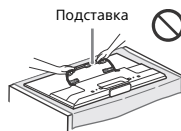
К сведению покупателей:

- Обязательно соблюдайте следующие меры предосторожности для обеспечения безопасности и предотвращения серьезных травм в результате пожара, поражения электрическим током, опрокидывания или падения изделия.
- Обязательно заключайте субподрядные договоры по установке с лицензированными подрядчиками и не допускайте маленьких детей к месту установки.
 - Обязательно заключайте субподрядные договоры по перемещению и демонтажу телевизора с лицензированными подрядчиками.
 - Не удаляйте винты и т. д. после монтажа телевизора.
 - Не вносите изменений в конструкцию деталей кронштейна для настенной установки.
 - Не устанавливайте другое оборудование, кроме указанного изделия.
 - Не прилагайте к кронштейну для настенной установки другой нагрузки, кроме телевизора.
 - Не опирайтесь на телевизор и не висите на нем.
 - Не прилагайте к телевизору чрезмерных усилий во время чистки или технического обслуживания.

К сведению дилеров и подрядчиков Sony:

Следующие инструкции относятся только к дилерам и подрядчикам Sony. Обязательно прочитайте описанные ниже правила техники безопасности и уделяйте особое внимание безопасности во время установки, технического обслуживания и проверки данного изделия.

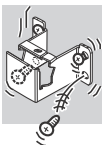
- При перемещении или установке телевизора держите его за боковые стороны. Не поднимайте телевизор за подставку.



- Не устанавливайте кронштейн для настенной установки на поверхностях стен, где углы или стороны телевизора выступают за пределы поверхности стены.



- Не устанавливайте телевизор над или под кондиционером воздуха.
- Обязательно надежно установите кронштейн для настенной установки на стену, следуя инструкциям в этом руководстве по эксплуатации. Если какой-либо из винтов ослаблен или выпал, кронштейн для настенной установки может упасть и стать причиной травм или повреждения имущества.
- Обязательно используйте прилагаемые винты и детали для крепления надлежащим образом, следуя инструкциям, приведенным в данном руководстве по эксплуатации. Если при установке были использованы иные крепежные материалы, телевизор может упасть и получить повреждения или стать причиной травм.
- Обязательно выполняйте сборку кронштейна, точно следуя инструкциям, изложенным в настоящем руководстве по эксплуатации.
- Обязательно надежно затягивайте винты в заданных положениях.
- Следите за тем, чтобы не подвергать телевизор ударам при установке.
- Обязательно устанавливайте телевизор на перпендикулярной и плоской стене.
- После правильной установки телевизора надежно закрепите кабели.
- Не допускайте заземления кабеля питания или соединительных кабелей, или так как это может нарушить изоляцию внутренних проводов, что может стать причиной короткого замыкания или обрыва электрической цепи.



Меры предосторожности

Просмотр телевизора

- При просмотре видеоизображений 3D или во время игр в стереоскопическом формате 3D некоторые люди могут испытывать дискомфорт (например, напряжение глаз, усталость или тошноту). Компания Sony рекомендует, чтобы все зрители делали регулярные перерывы при просмотре видеоизображений 3D или во время игр в стереоскопическом формате 3D. Продолжительность и частота перерывов зависит от индивидуальных потребностей. Нужно выбрать наиболее подходящий вариант. В случае дискомфорта необходимо прекратить просмотр видеоизображений 3D или игры в стереоскопическом формате 3D, пока дискомфорт не исчезнет; при необходимости следует обратиться к врачу. Необходимо также обратиться (i) к руководству по эксплуатации любого другого устройства или носителя, используемого с телевизором, и (ii) для получения последней информации посетить наш веб-сайт (<http://support.sony-europe.com/>). Зрение маленьких детей (особенно в возрасте до шести лет) еще не сформировано. Прежде чем разрешать детям смотреть видеоизображения 3D или играть в игры в стереоскопическом формате 3D, обратитесь к врачу (например, педиатру или офтальмологу). Дети должны находиться под контролем взрослых для соблюдения вышеуказанных рекомендаций.
- Не используйте, не храните и не оставляйте 3D-очки или батарею в непосредственной близости от огня или в местах с высокой температурой, например, под прямыми солнечными лучами, а также в автомобилях, припаркованных на солнце.

- При использовании функции имитации 3D-эффекта помните, что отображаемое изображение моделируется данным телевизором путем преобразования исходного изображения.
- Смотрите телевизор при достаточном освещении; просмотр при плохом освещении или в течение чрезмерно продолжительного времени утомляет глаза.
- При пользовании наушниками не устанавливайте слишком большую громкость, чтобы не повредить слух.

ЖК-экран

- Хотя ЖК-экран изготовлен по высокоточной технологии и число эффективных точек достигает 99,99% и выше, на экране могут постоянно появляться черные или яркие цветные (красные, синие или зеленые) точки. Это структурное свойство ЖК-экрана, которое не является признаком неисправности.
- Не нажимайте на защитный фильтр, не царапайте его и не ставьте на телевизор какие-либо предметы. Это может привести к неравномерности изображения или повреждению ЖК-экрана.
- Если телевизор работает в холодном месте, изображение может оказаться размытым или слишком темным. Это не является признаком неисправности. Эти явления исчезнут с повышением температуры.
- При продолжительной демонстрации неподвижного изображения могут появляться остаточные изображения. Через несколько секунд они могут исчезнуть.
- Во время работы телевизора экран и корпус нагреваются. Это не является признаком неисправности.
- ЖК-экран содержит небольшое количество жидких кристаллов. При утилизации соблюдайте соответствующие местные положения и инструкции.

Уход за поверхностью экрана, корпусом телевизора и их чистка

Перед чисткой телевизора или вилки кабеля питания отсоедините кабель от сети.

Для обеспечения сохранности конструкционных материалов и покрытия экрана телевизора соблюдайте следующие меры предосторожности.

- Для удаления пыли с поверхности экрана/корпуса телевизора осторожно протирайте его мягкой тканью. Если пыль не удаляется полностью, протрите экран мягкой тканью, слегка смоченной в слабом растворе мягкого моющего средства.
- Никогда не разбрызгивайте воду или моющее средство прямо на телевизор. Скопление жидкости внизу экрана или на наружных поверхностях и проникновение внутрь телевизора может привести к выходу телевизора из строя.
- Ни в коем случае не используйте никакие абразивные материалы, щелочные/кислотные очистители, чистящие порошки и такие летучие растворители, как спирт, бензин, разбавитель или инсектициды. Применение этих веществ или длительный контакт с изделями из резины/винила могут повредить покрытие корпуса или поверхность экрана.
- Для обеспечения надлежащей вентиляции рекомендуется периодически прощипывать вентиляционные отверстия с помощью пылесоса.
- При регулировке угла наклона телевизора изменяйте его положение медленно и осторожно во избежание соскальзывания телевизора с подставки.

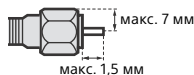


Дополнительные устройства

- Держите дополнительные компоненты или оборудование, излучающее электромагнитные волны, на расстоянии от телевизора. В противном случае может иметь место искажение изображения и/или звука.
- Данное оборудование протестировано и признано отвечающим требованиям к предельным значениям, установленным в Директиве ЭМС, при использовании соединительного сигнального кабеля длиной менее 3 метров.

Рекомендации по разъему типа F

Внутренняя жила должна выступать из разъема менее чем на 1,5 мм.



(Справочный рисунок разъема типа F)

Предупреждение относительно использования пульта ДУ

- Вставляя батарейки, соблюдайте полярность.
- Не используйте одновременно батарейки различных типов или старые и новые батарейки.
- При утилизации батареек всегда соблюдайте правила охраны окружающей среды. В некоторых регионах правила утилизации батареек могут быть регламентированы. Просьба обращаться по этому поводу в местные органы власти.
- Бережно обращайтесь с пультом ДУ. Не бросайте его, не становитесь на него и не лейте на него никаких жидкостей.
- Не оставляйте пульт ДУ вблизи источников тепла или в месте, подверженном прямому воздействию солнечных лучей, или во влажном помещении.

Беспроводная функция устройства

- Не используйте устройство вблизи медицинского оборудования (электронных стимуляторов сердца и т.д.), поскольку это может привести к неисправности последнего.
- Несмотря на то, что данное устройство передает/получает зашифрованные сигналы, остерегайтесь несанкционированного перехвата сигнала. Мы не несем ответственности за любую проблему такого рода.

КРОНШТЕЙН ДЛЯ НАСТЕННОЙ УСТАНОВКИ

- Если телевизор, установленный на кронштейн для настенной установки, используется в течение длительного времени, то, в зависимости от материала стены, позади него или над ним могут вывестись стены или отстать обои.
- После демонтажа кронштейна для настенной установки в стене останутся отверстия от винтов.
- Не устанавливайте кронштейн для настенной установки в местах, подверженных воздействию механической вибрации.

Утилизация телевизора



Утилизация отслужившего электрического и электронного оборудования (директива применяется в странах Евросоюза и других европейских странах, где действуют системы раздельного сбора отходов)



Утилизация использованных элементов питания (применяется в странах Евросоюза и других европейских странах, где действуют системы раздельного сбора отходов)

Установка телевизора на стену

К сведению клиентов

Для установки данного изделия требуются специальные навыки. Обязательно обратитесь к дилеру или лицензированному подрядчику Sony, а также соблюдайте необходимые меры предосторожности во время установки изделия. Компания Sony не несет ответственности за любой ущерб или травмы, вызванные неправильным обращением или неверной установкой, а также установкой каких-либо других устройств, кроме указанного. Это не влияет на законные права пользователя (если таковые имеются).

К сведению дилеров и подрядчиков Sony

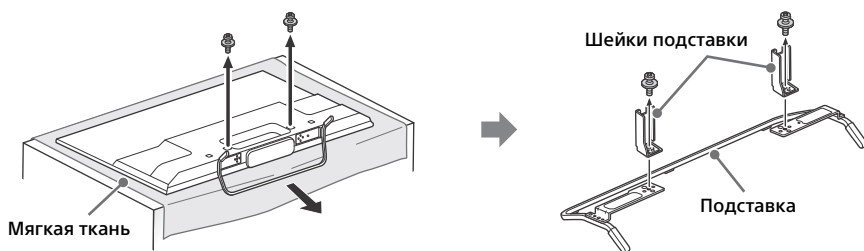
Для установки данного изделия требуются специальные навыки. Для безопасной установки устройства обязательно внимательно прочтите настоящее руководство. Sony не несет ответственности в случае повреждения или получения травм в результате неправильного обращения или ненадлежащей установки.

Данная настольная подставка для телевизора будет использоваться как компонент кронштейна для настенной установки.

Примечание

- Перед монтажом кронштейна для настенной установки см. стр. 3 (Сведения по безопасности) и стр. 6 (Меры предосторожности) в разделе КРОНШТЕЙН ДЛЯ НАСТЕННОЙ УСТАНОВКИ.
- Если настольная подставка подсоединена к телевизору, ее необходимо снять заранее.
- Положите телевизор экраном вниз на устойчивую плоскую поверхность, застеленную мягкой плотной тканью, которая больше его по размеру, при креплении подставки или снятии настольной подставки с телевизора для предотвращения повреждения поверхности экрана ЖКД.
- После отсоединения вертикальных кронштейнов от подставки, храните вертикальные кронштейны и винты в надежном месте.
- При повторном креплении настольной подставки обязательно вкрутите винты (выкрученные ранее) в исходные отверстия на задней части телевизора.
- Перед включением телевизора убедитесь, что он расположен вертикально. Телевизор нельзя включать, если панель ЖКД обращена вниз, чтобы избежать неравномерного формирования изображения.

Отсоединение настольной подставки от телевизора

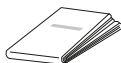


Установка кронштейнов на стену

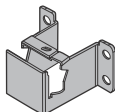
1 Подготовка необходимых элементов.

Принадлежности кронштейна для настенной установки (прилагаются)

А Бумажный шаблон



В Основание для крепления на стену
KDL-50W82xB,
KDL-50W81xB,
KDL-50W80xB,
KDL-50W70xB (2)
KDL-42W82xB,
KDL-42W81xB,
KDL-42W80xB,
KDL-42/32W70xB (1)



С Защитное приспособление для подставки
KDL-50W82xB,
KDL-50W81xB,
KDL-50W80xB,
KDL-50W70xB (2)
KDL-42W82xB,
KDL-42W81xB,
KDL-42W80xB,
KDL-42/32W70xB (1)



Д Винт (+PSW 6 × 12) (2)



Е Прокладка (2)



Ф Пластина крышки кронштейна
KDL-50W82xB,
KDL-50W81xB,
KDL-50W80xB,
KDL-50W70xB (2)
KDL-42W82xB,
KDL-42W81xB,
KDL-42W80xB,
KDL-42/32W70xB (1)

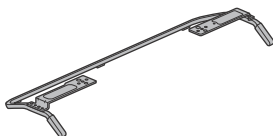


Г Винт (+PSW 4 × 10)
KDL-50W82xB,
KDL-50W81xB,
KDL-50W80xB,
KDL-50W70xB (2)
KDL-42W82xB,
KDL-42W81xB,
KDL-42W80xB,
KDL-42/32W70xB (1)



Подставка (прилагается)

Н



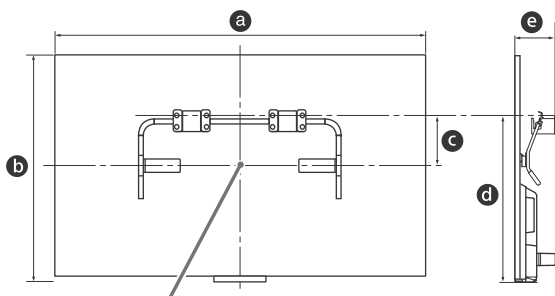
Винты для основания для крепления на стену (диаметром 8 мм, на прилагаются)

KDL-50W82xB,
KDL-50W81xB,
KDL-50W80xB,
KDL-50W70xB (8)
KDL-42W82xB,
KDL-42W81xB,
KDL-42W80xB,
KDL-42/32W70xB (4)

2 Убедитесь, что на стене имеется достаточно места и она достаточно прочная, чтобы выдержать вес по крайней мере в четыре раза превышающий вес устанавливаемого телевизора.

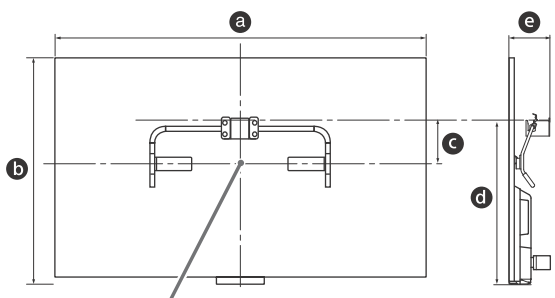
См. следующую таблицу по установке телевизора на стену. Вес телевизора см. на стр. 16-19 (Технические характеристики).

KDL-50W82xB, KDL-50W81xB, KDL-50W80xB, KDL-50W70xB



Центральная точка экрана

KDL-42W82xB, KDL-42W81xB, KDL-42W80xB, KDL-42/32W70xB



Центральная точка экрана

Единица измерения: см

Название модели KDL-	Размеры экрана		Положение центра экрана	Длина для установки	
	a	b		d	e
50W82xB/ 50W81xB/ 50W80xB/ 50W70xB	111,6	65,6	13,0	46,9	11,8
42W82xB/ 42W81xB/ 42W80xB/ 42W70xB	95,8	56,3	17,5	46,5	11,8
32W70xB	72,9	43,3	18,8	41,3	11,3

Примечание

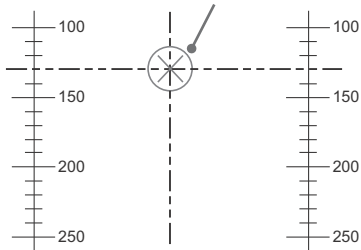
- Рисунки в таблице могут немного отличаться в зависимости от установки.

3 Поставьте метку на бумажном шаблоне **(A)**, указывающую центр экрана телевизора.

**KDL-50W82xB, KDL-50W81xB,
KDL-50W80xB, KDL-50W70xB**

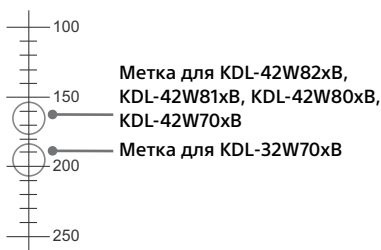
Шкала на бумажном шаблоне **(A)**

Метка для KDL-50W82xB, KDL-50W81xB,
KDL-50W80xB, KDL-50W70xB



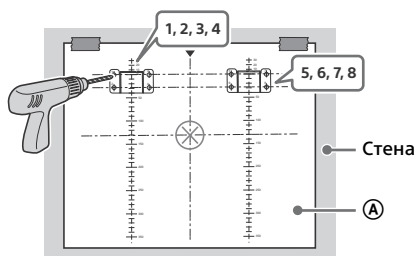
**KDL-42W82xB, KDL-42W81xB,
KDL-42W80xB, KDL-42/32W70xB**

Шкала на бумажном шаблоне **(A)**

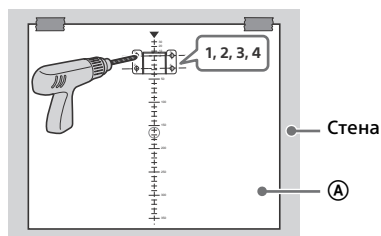


4 С помощью клейкой ленты приклейте бумажный шаблон **(A)** к стене и сделайте отверстия в соответствии с нумерацией на бумажном шаблоне **(A)** с помощью электрической дрели.

**KDL-50W82xB, KDL-50W81xB,
KDL-50W80xB, KDL-50W70xB**



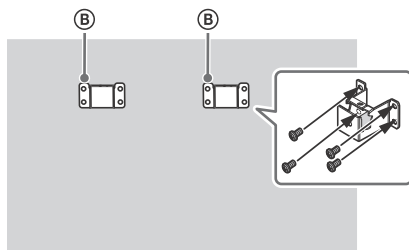
**KDL-42W82xB, KDL-42W81xB,
KDL-42W80xB, KDL-42/32W70xB**



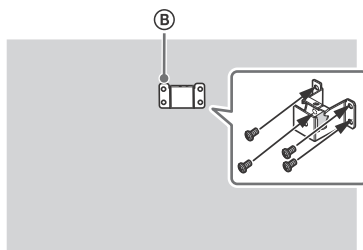
5 Снимите бумажный шаблон **(A)** со стены.

6 Правильно прикрепите основание для крепления на стену **(B)** к стене с помощью винтов (диаметром 8 мм, не прилагаются).

**KDL-50W82xB, KDL-50W81xB,
KDL-50W80xB, KDL-50W70xB**

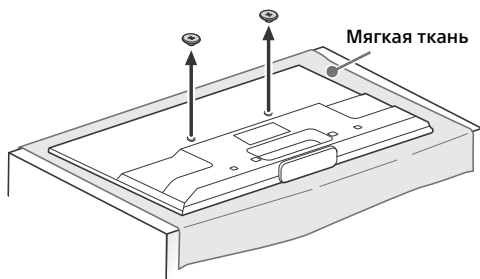


**KDL-42W82xB, KDL-42W81xB,
KDL-42W80xB, KDL-42/32W70xB**



Подготовка к установке телевизора

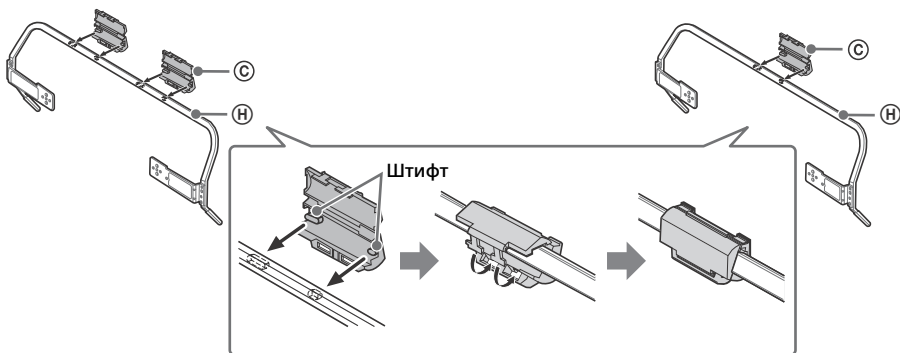
- 1 Выкрутите винты, расположенные на задней панели телевизора. Обязательно сохраните выкрученные винты в надежном месте вне досягаемости детей.



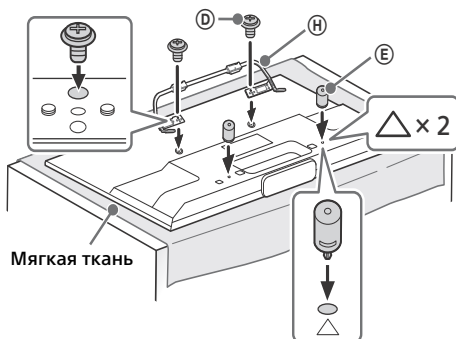
- 2 Вставьте штифт (на защитном приспособлении для подставки ©) в отверстие на подставке ®, затем сложите защитное приспособление для подставки ©. Убедитесь, что защитное приспособление для подставки © надежно зафиксировано на подставке ®.

KDL-50W82xB, KDL-50W81xB,
KDL-50W80xB, KDL-50W70xB

KDL-42W82xB, KDL-42W81xB,
KDL-42W80xB, KDL-42/32W70xB

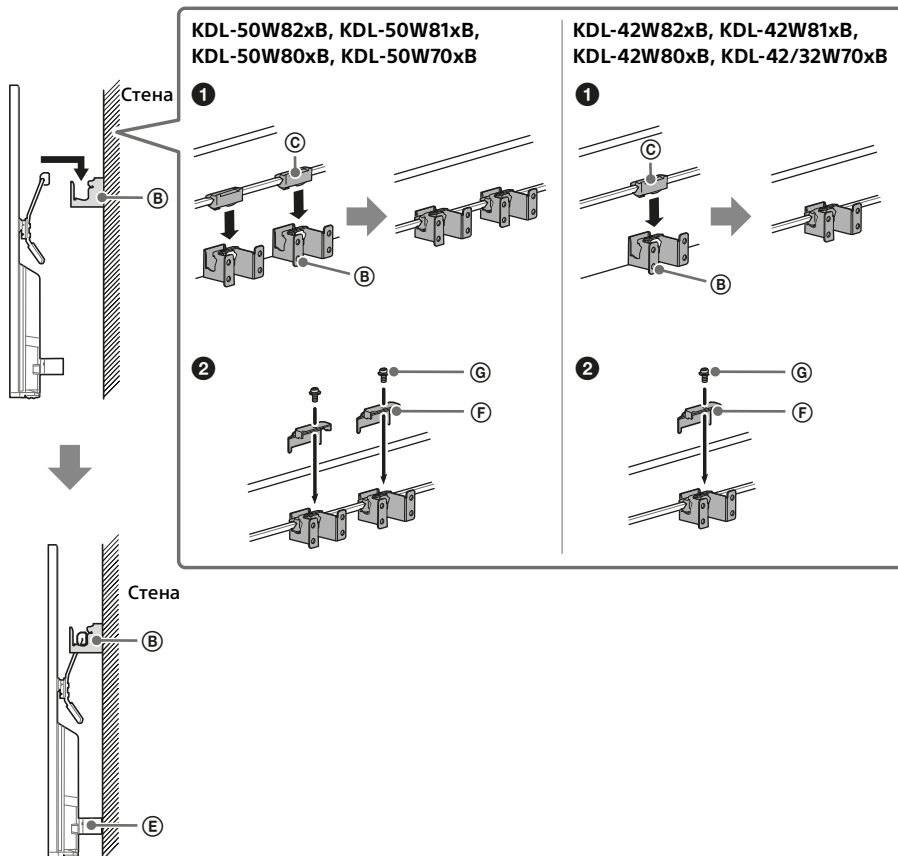


- 3 Прикрепите подставку ® к телевизору с помощью прилагаемых винтов ④. Прикрепите прокладки ⑤ к отверстиям, указанным треугольными метками △. В качестве примера используется модель KDL-50W82xB, KDL-50W81xB, KDL-50W80xB, KDL-50W70xB.



Установка телевизора на стене

- 1 Перед установкой телевизора на стену обязательно подключите и свяжите кабели.
- 2 Установите телевизор на стене. Затем проверьте, что защитное приспособление для подставки © надежно зафиксировано в основании для крепления на стену ©, а прокладки © касаются стены. Прикрепите пластину крышки кронштейна © с помощью прилагаемых винтов ©.

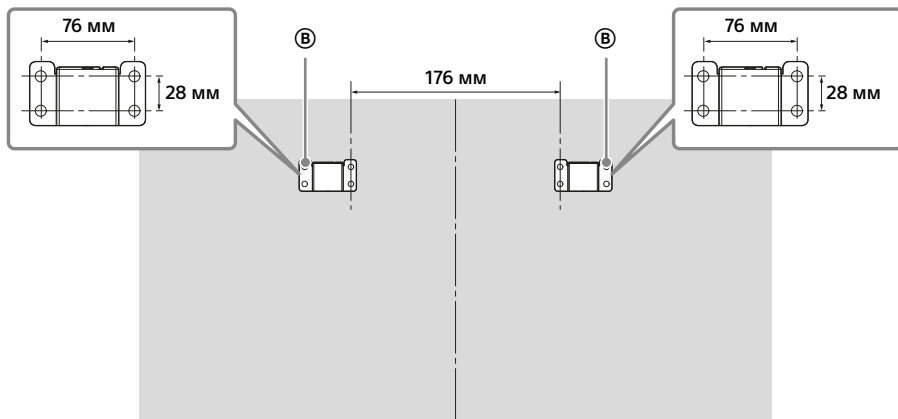


Размеры для расположения отверстий на стене

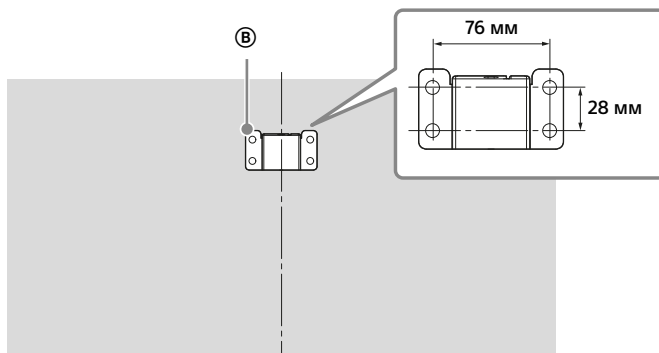
При необходимости предоставьте следующую информацию лицензированным подрядчикам. Для установки на стене основания для крепления на стену **ⓑ** используйте винты (диаметром 8 мм, не прилагаются).

Для облегчения установки обязательно используйте прилагаемый бумажный шаблон **Ⓐ**, указывающий фактическое расположение основания для крепления.

KDL-50W82xB, KDL-50W81xB, KDL-50W80xB, KDL-50W70xB



KDL-42W82xB, KDL-42W81xB, KDL-42W80xB, KDL-42/32W70xB



Для получения инструкций по установке кронштейна для настенной установки вашей модели телевизора см. следующий веб-сайт:

www.sony.eu/tv/wall-mount-bracket-manual

Поиск неисправностей

Если светодиодная подсветка мигает красным цветом, подсчитайте, сколько раз она мигает (с интервалом в три секунды).

Если LED-подсветка мигает красным, выполните сброс настроек телевизора, отключив питание телевизора на две минуты, затем снова включите телевизор. Если проблему не удалось устранить, обратитесь к дилеру или в сервисный центр Sony, указав число миганий LED-подсветка красным (интервал между миганиями составляет три секунды). Нажмите кнопку I/⏻ на телевизоре, чтобы выключить его, отключите питание и уведомите дилера или сервисный центр Sony.

Если светодиодный индикатор не мигает, проверьте следующие элементы.

Кроме того, см. пункт [Поиск и устранение неисправ.] в руководстве i-Manual или выполните автодиагностику, выбрав ? [Справка] → [Клиентская поддержка] → [Самодиагностика]. Если проблема не устраняется, обратитесь к квалифицированным специалистам по обслуживанию телевизоров.

Поиск и устранение неисправностей

Нет ни изображения (темный экран), ни звука.

- Проверьте подключение антенны или кабеля.
- Подключите телевизор к электросети и нажмите I/⏻ на телевизоре или пульте ДУ.

Некоторые каналы не настраиваются.

- Проверьте подключение антенны или спутниковой тарелки.
- Возможно короткое замыкание спутникового кабеля или неполадки с подключением этого кабеля. Проверьте кабель и соединение, а затем выключите телевизор с помощью главного выключателя питания Вкл./Выкл. и включите его снова.
- Указанная частота находится вне диапазона. Обратитесь в компанию, обеспечивающую прием спутникового вещания.

Не обнаружены службы (программы) кабельного телевидения.

- Проверьте кабельное соединение или конфигурацию настройки.
- Попробуйте выполнить процедуру [Автопоиск цифр. станций], выбрав значение [Эфир] вместо [Кабель].

Не работает пульт ДУ.

- Замените батарейки.
- Возможно, телевизор находится в режиме SYNC.

Для управления телевизором нажмите кнопку **SYNC MENU**, выберите [Управление ТВ], а затем выберите [Дом (Меню)] или [Опции].

Забыли пароль для функции [Замок от детей].

- Введите 9999 в качестве PIN-кода. (PIN-код 9999 всегда принимается.)

Поверхности телевизора нагреваются.

- При длительном использовании телевизора его поверхности нагреваются. Они становятся горячими на ощупь.

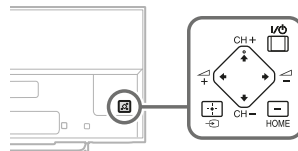
Зависание при воспроизведении аудио или видео, пустой экран, либо телевизор не реагирует на нажатие кнопок телевизора или пульта ДУ.

- Выполните простую перезагрузку телевизора, отключив шнур питания на две минуты, а затем снова включив его.

Не удается найти на телевизоре кнопки I/⏻, CH+/-, ▲ +/-, 🔍/🔍/🔍, 📺, 🏠 и HOME.

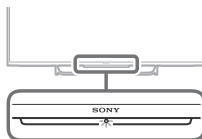
- Расположение кнопок на телевизоре показано на рисунке внизу.

Задняя панель телевизора



Включена LED-подсветка.

- Если не требуется зажигать LED-подсветку, ее можно отключить. Нажмите кнопку **HOME**, затем выберите [Установки] → [Системные настройки] → [Общие настройки] → [LED-подсветка] → [Выкл.]. Можно также нажать кнопку **OPTIONS**, затем выбрать [LED-подсветка] → [Выкл.].



Не удается подключить к беспроводному маршрутизатору с помощью WPS.

- При использовании протокола безопасности WEP выберите [Просто] → [Wi-Fi] → [Подкл. через список сканир].

Затем выберите имя сети (SSID) для подключения.

Не удается найти требуемое имя сети в настройках сети.

- Выберите [[Ввод вручную]] и нажмите ⊕ для ввода имени сети.

Технические характеристики

Система

Система панели

ЖКД (жидкокристаллический дисплей),
Светодиодная подсветка

Система телевидения

Аналоговый: В зависимости от выбранной страны/региона: В/G, D/K, L, I, M

Цифровой: DVB-T/DVB-C
DVB-T2

Спутник: DVB-S/DVB-S2

Система цветности/видео

Аналоговый: PAL, SECAM, NTSC3.58, NTSC4.43
Цифровой: См. руководство i-Manual.

Диапазон принимаемых каналов

Аналоговый: UHF/VHF/Кабель, В зависимости от выбранной страны/региона.

Цифровой: UHF/VHF/Кабель, В зависимости от выбранной страны/региона.

Спутник: промежуточная частота 950-2150 МГц

Выход звука

8 Вт + 8 Вт (за исключением моделей
KDL-32W70xB)

5 Вт + 5 Вт (только KDL-32W70xB)

Беспроводная технология

Протокол IEEE802.11a/b/g/n

Технология Bluetooth

Bluetooth 3.0

Входные/выходные разъемы


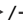
Антенна кабель

Разъем 75 Ом для VHF/UHF

Спутниковая антенна

Гнездовой разъем типа F IEC169-24, 75 Ом.

DiSEqC 1.0, LNB 13 В/18 В, тон 22 кГц, Перед. по одному кабелю EN50494.

 /  AV1

21-штырьковый Scart-разъем (стандарт CENELEC), включая аудио-/видеовход, вход RGB и телевизионный аудио-/видеовход.

 /  COMPONENT IN

YPbPr (компонентное видео): 1080p (50, 60 Гц), 1080i (50, 60 Гц), 720p (50, 60 Гц), 576p, 576i, 480p, 480i

Аудиовход (гнезда типа "тюльпан")

 AV2

Видеовход (общий штекер типа "тюльпан" с входом Y)

HDMI IN 1, 2, 3, 4 (за исключением моделей KDL-50/42/32W70xB)

Видео (2D): 1080p (30, 50, 60 Гц), 1080/24p, 1080i (50, 60 Гц), 720p (30, 50, 60 Гц), 720/24p, 576p, 576i, 480p, 480i, Форматы ПК

Видео (3D):

Формат Frame Packing: 1080p (30 Гц), 1080/24p, 1080i (50, 60 Гц), 720p (30, 50, 60 Гц), 720/24p

Рядом: 1080p (50, 60 Гц), 1080/24p, 1080i (50, 60 Гц), 720p (50, 60 Гц)

Одна над другой: 1080p (30, 50, 60 Гц), 1080/24p, 1080i (50, 60 Гц), 720p (50, 60 Гц)

Аудио: 5.1-канальный линейный PCM: 32, 44,1 и 48 кГц, 16, 20 и 24 бит, Dolby Digital ARC (Audio Return Channel) (только HDMI IN 2)

HDMI IN 1, 2, 3, 4 (только KDL-50/42/32W70xB)

Видео: 1080p (30, 50, 60 Гц), 1080/24p, 1080i (50, 60 Гц), 720p (30, 50, 60 Гц), 720/24p, 576p, 576i, 480p, 480i, Форматы ПК

Аудио: 5.1-канальный линейный PCM: 32, 44,1 и 48 кГц, 16, 20 и 24 бит, Dolby Digital ARC (Audio Return Channel) (только HDMI IN 2)

MHL (общий с входом HDMI IN 1)

(за исключением моделей

KDL-50/42/32W70xB)

Видео (2D): 1080p (30 Гц), 1080/24p, 1080i (50, 60 Гц), 720p (30, 50, 60 Гц), 720/24p, 576p, 576i, 480p, 480i

Видео (3D):

Рядом: 1080/24p, 1080i (50, 60 Гц), 720p (50, 60 Гц)

Одна над другой: 1080p (30 Гц), 1080/24p, 1080i (50, 60 Гц), 720p (50, 60 Гц)

Аудио: 5.1-канальный линейный PCM: 32, 44,1 и 48 кГц, 16, 20 и 24 бит, Dolby Digital

MHL (общий с входом HDMI IN 1)

(только KDL-50/42/32W70xB)

Видео: 1080p (30 Гц), 1080/24p, 1080i (50, 60 Гц), 720p (30, 50, 60 Гц), 720/24p, 576p, 576i, 480p, 480i

Аудио: 5.1-канальный линейный PCM: 32, 44,1 и 48 кГц, 16, 20 и 24 бит, Dolby Digital


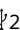
 DIGITAL AUDIO OUT (OPTICAL)


Цифровой оптический разъем (Двухканальный линейный PCM, Dolby Digital)

 AUDIO OUT / 

Аудиовыход (стерео мини-джек)

Гнездо для подключения наушников (поддержка выхода сабвуфера)

 1 (HDD REC),  2

Гнездо для жесткого диска USB (только  1), USB-порт



Разъем под CAM (модуль ограниченного доступа)

 DC IN 19.5 V

Вход адаптера

 LAN

Разъем 10BASE-T/100BASE-TX (Скорость соединения зависит от операционной среды сети. Скорость и качество передачи данных интерфейса 10BASE-T/100BASE-TX для данного телевизора не гарантируются.)

Прочее

Дополнительные аксессуары

Пульт ДУ с тачпадом: RMF-ED004

Камера с микрофоном: CMU-BR200/
CMU-BR100

Беспроводной сабвуфер: SWF-BR100

MHL –кабель: DLC-MB10/DLC-MB20/DLC-MC10/
DLC-MC20

Активные 3D-очки: TDG-BT500A (только KDL-50W82xB, KDL-50W81xB, KDL-50W80xB)



Пассивные 3D-очки: TDG-500P (только KDL-42W82xB, KDL-42W81xB, KDL-42W80xB)



Условия хранения:

Товары сохраняют в упакованном виде в темных, сухих, чистых, хорошо вентилируемых помещениях, изолированных от мест хранения кислот и щелочей. Температура хранения*: от -20 до +60°C. Относительная влажность хранения*: <80% Относительная влажность (без конденсации). *Примечание: максимальные значения для обоих параметров не могут быть достигнуты одновременно.

Рабочая температура: от 0 до 40°C. Рабочая относительная влажность: 10–80% Относительная влажность (без конденсации).

Электропитание и прочее

Электропитание

19,5 В постоянного тока с адаптером переменного тока

Номинальное электропитание: входное электропитание 220 В – 240 В пер. тока, 50 Гц

Класс энергопотребления

KDL-50W82xB, KDL-50W81xB, KDL-50W80xB, KDL-50W70xB: A++
KDL-42W82xB, KDL-42W81xB, KDL-42W80xB, KDL-42W70xB: A+
KDL-32W70xB: A

RU

Размер экрана (по диагонали) (Прибл.)

KDL-50W82xB, KDL-50W81xB, KDL-50W80xB,
KDL-50W70xB: 50 дюймов / 125,7 см
KDL-42W82xB, KDL-42W81xB, KDL-42W80xB,
KDL-42W70xB: 42 дюймов / 106,7 см
KDL-32W70xB: 32 дюймов / 80,1 см

Удельная потребляемая мощность в режиме

[Стандартный]:

KDL-50W82xB, KDL-50W81xB, KDL-50W80xB,
KDL-50W70xB: 7,6 мВт/см²
KDL-42W82xB: 10,3 мВт/см²
KDL-42W70xB: 10,3 мВт/см²
KDL-32W70xB: 14,3 мВт/см²

Потребляемая мощность

в режиме [Стандартный]

KDL-50W82xB, KDL-50W81xB, KDL-50W80xB,
KDL-50W70xB: 51 Вт
KDL-42W82xB, KDL-42W81xB, KDL-42W80xB,
KDL-42W70xB: 50 Вт
KDL-32W70xB: 39 Вт

в режиме [Яркий]

KDL-50W82xB, KDL-50W81xB, KDL-50W80xB,
KDL-50W70xB: 100 Вт
KDL-42W82xB, KDL-42W81xB, KDL-42W80xB,
KDL-42W70xB: 99 Вт
KDL-32W70xB: 80 Вт

Среднее ежегодное энергопотребление*1

KDL-50W82xB, KDL-50W81xB, KDL-50W80xB,
KDL-50W70xB: 71 кВт-ч
KDL-42W82xB, KDL-42W81xB, KDL-42W80xB,
KDL-42W70xB: 69 кВт-ч
KDL-32W70xB: 54 кВт-ч

Мощность, потребляемая в дежурном режиме*2

0,5 Вт (10 Вт в режиме обновления программного обеспечения и данных EPG)

Разрешение экрана

1920 точек (по горизонтали) × 1080 строк (по вертикали)

Размеры (Прибл.) (ш × в × г)

С настольной подставкой

KDL-50W82xB, KDL-50W81xB, KDL-50W80xB,
KDL-50W70xB: 111,6 × 69,3 × 17,9 см
KDL-42W82xB, KDL-42W81xB, KDL-42W80xB,
KDL-42W70xB: 95,8 × 60,0 × 17,0 см
KDL-32W70xB: 72,9 × 46,5 × 14,1 см

Без настольной подставки

KDL-50W82xB, KDL-50W81xB, KDL-50W80xB,
KDL-50W70xB: 111,6 × 65,6 × 6,4 см
KDL-42W82xB, KDL-42W81xB, KDL-42W80xB,
KDL-42W70xB: 95,8 × 56,3 × 6,4 см
KDL-32W70xB: 72,9 × 43,3 × 6,4 см

Масса (Прибл.)

С настольной подставкой

KDL-50W82xB, KDL-50W81xB, KDL-50W80xB,
KDL-50W70xB: 14,8 кг
KDL-42W82xB, KDL-42W81xB, KDL-42W80xB,
KDL-42W70xB: 11,7 кг
KDL-32W70xB: 7,9 кг

Без настольной подставки

KDL-50W82xB, KDL-50W81xB, KDL-50W80xB,
KDL-50W70xB: 13,6 кг
KDL-42W82xB, KDL-42W81xB, KDL-42W80xB,
KDL-42W70xB: 10,5 кг
KDL-32W70xB: 6,9 кг

*1 За потребление электроэнергии в год принята потребляемая мощность телевизора, работающего 4 часа в день в течение 365 дней. Фактическое потребление электроэнергии будет напрямую зависеть от способа использования телевизора.

*2 Номинальная величина мощности потребления в режиме ожидания достигается после того, как телевизор выполнит необходимые внутренние процессы.

Примечание

- Символ “x” в названии модели соответствует одной цифре, относящейся к дизайну, вариации цвета или телевизионной системе.
- Макет карты следует извлекать из гнезда TV CAM (модуль ограниченного доступа) только в том случае, если устанавливается смарт-карта, подходящая для разъема CAM.
- Доступность дополнительных аксессуаров зависит от страны/региона/модели телевизора/наличия в продаже.
- Конструкция и технические характеристики могут быть изменены без уведомления.
- Этот телевизор поддерживает стандарт MHL 2.

Примечание в отношении Цифрового ТВ

- Все функции, относящиеся к Цифровому ТВ (DTV), будут действовать только в тех странах или регионах, в которых ведется эфирная цифровая трансляция сигнала DVB-T/DVB-T2 (MPEG-2 или H.264/MPEG-4 AVC), или обеспечивается доступ к совместимому кабельному цифровому вещанию DVB-C (MPEG-2 или H.264/MPEG-4 AVC). Просим Вас уточнить у своего дилера, можно ли принимать сигнал DVB-T/DVB-T2 там, где Вы живете, или узнать у своего провайдера кабельного телевидения, доступна ли предоставляемая им услуга кабельного вещания DVB-C для Вашего телевизора.

- Провайдер кабельного ТВ может установить дополнительный сбор за такую услугу и потребовать от Вас согласия со своими условиями.
- Хотя данный телевизор удовлетворяет характеристикам DVB-T/DVB-T2 и DVB-C, мы не можем гарантировать его совместимость с будущим цифровым эфирным вещанием в формате DVB-T/DVB-T2 и цифровым кабельным вещанием в формате DVB-C.
- Некоторые из функций Цифрового ТВ в некоторых странах/регионах могут быть недоступными, а правильный прием сигнала стандарта DVB-C может быть обеспечен не для всех провайдеров кабельного ТВ.
- Wi-Fi, Wi-Fi Direct и Miracast являются товарными знаками или зарегистрированными товарными знаками Wi-Fi Alliance.
- “Sony Entertainment Network logo” и “Sony Entertainment Network” являются торговыми марками компании Sony Corporation.
- MHL, Mobile High-Definition Link и логотип MHL являются товарными знаками или зарегистрированными товарными знаками компании MHL Licensing, LLC.
- Сведения о патентах DTS см. <http://patents.dts.com>. Изготовлено по лицензии DTS Licensing Limited. DTS, символ, а также DTS и символ вместе являются зарегистрированными товарными знаками, а DTS Digital Surround является товарным знаком DTS, Inc. © DTS, Inc. Все права защищены.

Информация о торговых марках

- Термины HDMI, HDMI High-Definition Multimedia Interface и логотип HDMI являются товарными знаками или зарегистрированными товарными знаками HDMI Licensing LLC в США и других странах.
- DLNA®, логотип DLNA и DLNA CERTIFIED® являются товарными знаками, знаками обслуживания или знаками сертификации компании Digital Living Network Alliance.
- Произведено по лицензии Dolby Laboratories. Название Dolby и символ с двойной буквой D являются торговыми марками Dolby Laboratories.
- “BRAVIA” и BRAVIA являются торговыми марками компании Sony Corporation.
- TrackID являются торговыми знаками или зарегистрированными торговыми знаками Sony Mobile Communications AB.
- Gracenote, Gracenote eyeQ, Gracenote VideoID, Gracenote Video Explore, Gracenote MusicID, эмблема и логотип Gracenote, а также логотип “Powered by Gracenote” являются зарегистрированными товарными знаками или товарными знаками Gracenote в США и/или других странах.
- Opera® Devices SDK from Opera Software ASA. Copyright 1995-2014 Opera Software ASA. All rights reserved.
- Designed with UEI Technology™ Under License from Universal Electronics Inc. Portions © UEI 2000 – 2013
- Знак Bluetooth® и логотипы принадлежат Bluetooth SIG, Inc., любое их использование Sony Corporation лицензировано. Все остальные торговые марки и торговые наименования являются собственностью соответствующих владельцев.
- DiSEqC™ является товарным знаком EUTELSAT. Данный телевизор поддерживает протокол связи DiSEqC 1.0. Данный телевизор не предназначен для управления моторизованными антеннами.

Зміст

ВАЖЛИВА ПРИМІТКА	2
Відомості з безпеки	3
Застережні заходи	5
Настінне кріплення	7
Встановлення кронштейна на стіні	8
Підготовка до встановлення телевізора	11
Встановлення телевізора на стіні	12
Усунення несправностей	14
Несправності та способи їх усунення	14
Технічні характеристики	15

Вступ

Дякуємо, що ви обрали цей продукт від Sony.
Перед початком експлуатації телевізора уважно прочитайте цей посібник і збережіть його для використання у майбутньому.

Примітка

- Перед використанням телевізора прочитайте розділ «Відомості з безпеки» (стор. 3).
- Інструкції щодо «Настінного кріплення» вміщені в посібнику з експлуатації цього телевізора.
- Зовнішній вигляд виробу може відрізнятися від зображень та ілюстрацій у Короткому посібнику та в цьому посібнику.

Розташування ідентифікаційної етикетки

Етикетки, на яких вказано номер моделі телевізора, дату його виробництва (місяць/рік) та електричні параметри, знаходяться ззаду на телевізорі або на упаковці.

Етикетки з номером моделі та серійним номером знаходяться знизу на мережевому адаптері.

Дата виготовлення зазначена на виробі та упаковці на етикетці зі штрих-кодом у наступному форматі:MM.YYYY, де MM - місяць, YYYY - рік виготовлення.

ПОПЕРЕДЖЕННЯ
ЩОБ УНИКНУТИ
РОЗПОВСЮДЖЕННЯ
ВОГНЮ, ТРИМАЙТЕ СВІЧКИ
Й ІНШІ ДЖЕРЕЛА
ВІДКРИТОГО ВОГНЮ
ПОДАЛІ ВІД ЦЬОГО ВИРОБУ.



ВАЖЛИВА ПРИМІТКА

Назва виробу: Телевізор

Примітка щодо сигналів у бездротових мережах



Sony Corporation стверджує, що цей виріб відповідає основним вимогам та іншим важливим положенням Директиви 1999/5/ЄС.
Докладну інформацію див. на наступній веб-сторінці:
<http://www.compliance.sony.de/>

Примітка для покупців: наступна інформація стосується тільки обладнання, яке продається у країнах, де діють директиви ЄС. Система бездротового телебачення може використовуватися в наступних країнах:

AT, BE, HR, CY, CZ, DK, EE, FI, FR, DE, GR, HU, IE, IT, LV, LT, LU, MT, NL, PL, PT, SK, SI, ES, SE, GB, IS, LI, NO, CH, BG, RO, TR, AL, BA, MK, MD, RS, ME

Це обладнання може використовуватися в інших країнах за межами Європи.

Виробник Соні Корпорейшн цим оголошує, що телевізори моделей KDL-50W828B, KDL-50W706B, KDL-50W705B, KDL-42W828B, KDL-42W706B, KDL-42W705B, KDL-32W706B, KDL-32W705B відповідають вимогам та іншим застосовним положенням Технічного регламенту радіоблагоднання і телекомунікаційного кінцевого (термінального) обладнання. Отримати декларацію відповідності можна за адресою ТОВ «Соні Україна», вул. Спаська 30, м.Київ, 04070, Україна, e-mail info@sony.ua.

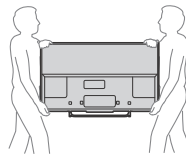
Обладнання відповідає вимогам:

- Технічного регламенту безпеки низьковольтного електричного обладнання (постанова КМУ від 29.10.2009 № 1149);
 - Технічного регламенту з електромагнітної сумісності обладнання (постанова КМУ від 29.07.2009 № 785);
 - Технічного регламенту обмеження використання деяких небезпечних речовин в електричному та електронному обладнанні (постанова КМУ від 03.12.2008 № 1057).
- Виробник: Соні Корпорейшн, 1-7-1 Конан, Мінато-ку, Токіо 108-0075, Японія.

Вироблено на підприємствах в Словаччині та Малайзії.
Країна виробництва зазначається на виробі та його пакуванні.
Уповноважений представник в Україні з питань відповідності вимогам технічних регламентів:
ТОВ «Соні Україна», вул. Спаська 30, м.Київ, 04070, Україна.



- При транспортуванні телевізора вручну тримайте його, як показано на малюнку. Не натискайте на РК-панель та рамку довкола екрана.



- При переміщенні телевізора оберігайте його від поштовхів або надмірної вібрації.
- При транспортуванні телевізора до сервісного центру або при переїзді запакуйте його в коробку, використовуючи призначені для нього пакувальні матеріали.

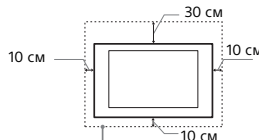
Захист телевізора від перекидання

- Перед тим як вкручувати гвинт кріплення, покладіть телевізор екраном донизу на стійку поверхню, що має більші розміри, ніж телевізор.
- Щоб не пошкодити РК-екран, застеліть поверхню шматком м'якої тканини.

Вентиляція

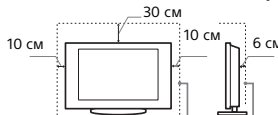
- Ніколи не закривайте вентиляційні отвори і нічого не вставляйте у корпус.
- Залишіть вільний простір навколо телевізора, як показано нижче.
- Переконайтеся, що ТВ вентилюється належним чином. Потрібно, щоб навколо ТВ було достатньо вільного місця, як це зображено на ілюстрації.

Встановлення на стіні



Залиште принаймні такий простір вільним навколо телевізора.

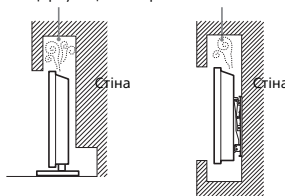
Встановлення за допомогою підпори



Залиште принаймні такий простір вільним навколо телевізора.

- Для забезпечення належної вентиляції та запобігання накопиченню бруду або пилу:
 - Не кладіть телевізор у горизонтальне положення, не встановлюйте його нижньою стороною догори, задом наперед або на бік.
 - Не ставте телевізор на полицю, килим, постіль або у шафу.
 - Не накривайте телевізор тканиною, такою як занавіски, або іншими речами, наприклад газетами тощо.
 - Не встановлюйте телевізор так, як показано нижче.

Циркуляція повітря неможлива.



Відомості з безпеки

УВАГА!

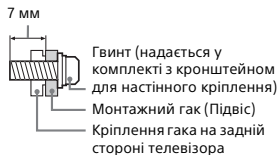
Батарейки не повинні зазнавати дії високих температур, наприклад знаходитися під променями сонця, поблизу вогню тощо.

Встановлення/налаштування

Встановіть та використовуйте телевізор згідно з нижченаведеними інструкціями з метою запобігання ризику виникнення пожежі, ураження електричним струмом та/або травм.

Встановлення

- Телевізор має бути встановлений поблизу легкодоступної електричної розетки.
- Поставте телевізор на надійній рівній поверхні.
- Встановлення телевізора на стіну повинен здійснювати тільки кваліфікований працівник центру сервісного обслуговування.
- З міркувань безпеки рекомендується використовувати допоміжне устаткування виробництва Sony, зокрема:
 - кронштейн для настінного кріплення
- Приєднуючи монтажні гаки (підвіс) до телевізора, використовуйте гвинти, що надаються в комплекті з кронштейном для настінного кріплення. Розміри зображених гвинтів, що постачаються в комплекті, наведено за умови вимірювання від з'єднувальної поверхні монтажного гака (підвіс). Діаметр і довжина гвинтів варіюються залежно від моделі кронштейна для настінного кріплення. Використання будь-яких інших гвинтів, крім комплектних, може призвести до внутрішнього пошкодження телевізора або його падіння тощо.



Транспортування

- Перед транспортуванням телевізора від'єднайте всі кабелі.
- Для транспортування великого телевізора потрібно дві або три особи.

Кабель живлення

Поводьтеся із кабелем живлення і розеткою у зазначений нижче спосіб, щоб запобігти ризику виникнення пожежі, ураження електричним струмом або пошкодження та/або травм:

- Використовуйте кабель живлення, наданий тільки компанією Sony, а не іншими постачальниками.
- Вставляйте штепсель до електричної розетки до кінця.
- Підключайте телевизор тільки до мережі змінного струму з напругою 220-240 В.
- При підключенні кабелів заради власної безпеки обов'язково від'єднайте кабель живлення і слідкуйте, щоб не залупитися ногами у кабелів.
- Від'єднайте кабель живлення від розетки перед ремонтом або переміщенням телевизора.
- Тримайте кабель живлення подалі від джерел тепла.
- Регулярно виймайте штепсель із розетки й очищайте його. Якщо штепсель вкритий пилом і на нього потрапляє волога, його ізоляція може зіпсуватися, що може призвести до пожежі.

Примітка

- Не використовуйте наданий кабель живлення із жодним іншим обладнанням.
- Не защемляйте, не згинайте і не перекручуйте кабель живлення надто сильно. Струмопровідні жили можуть оголитися або зламатися.
- Не модифікуйте кабель живлення.
- Не кладіть важкі речі на кабель живлення.
- Не тягніть кабель живлення при від'єднанні його від електричної розетки.
- Не підключайте надто багато приладів до однієї розетки.
- Не використовуйте електричну розетку, що не забезпечує належного прилягання контактів штепселя.

ПРИМІТКА ЩОДО МЕРЕЖЕВОГО АДАПТЕРА

Попередження

Щоб знизити ризик займання й ураження електричним струмом, не піддавайте цей прилад впливу дощу чи вологі. Щоб виключити можливість загоряння й ураження електричним струмом, не ставте на прилад предмети, наповнені водою, наприклад вази. Не встановлюйте прилад у замкнутому просторі, наприклад у книжковій шафі тощо.

- Розетка має знаходитися поблизу обладнання і бути легко доступною.
- Використовуйте мережевий адаптер і кабель живлення, що додаються.
- Не використовуйте інший мережевий адаптер. Це може спричинити несправність.
- Підключайте мережевий адаптер до легко доступної розетки.
- Не намотуйте кабель живлення навколо мережевого адаптера. Це може призвести до пошкодження жи кабелю та спричинити несправність медіаприймача.
- Не торкайтеся до мережевого адаптера вологими руками.
- Помітивши якість неполадки, негайно від'єднайте мережевий адаптер від розетки.
- Навіть після вимкнення прилад залишається підключеном до електричної мережі. Від'єднайте його від розетки.
- При тривалому використанні мережевий адаптер нагрівається. Це можна відчути, доторкнувшись до нього рукою.

Заборонене використання

Не встановлюйте/використовуйте телевизор у нижчезазначених місцях, оточеннях і ситуаціях, оскільки це може призвести до несправності телевизора, пожежі, ураження електричним струмом, пошкодження та/або травм.

Місце:

- Надворі (під прямим сонячним промінням), на морському узбережжі, на кораблі або іншому судні, всередині транспортного засобу, у медичних закладах, нестабільних місцях, поблизу відкритих водойм або джерел води, в умовах дощу або диму.

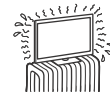
- У разі встановлення у вбиральні публічної лазні чи курорту з гарчачими джерелами можливе пошкодження телевизора сіркою, що міститься в повітрі, тощо.



- Для досягнення найвищої якості зображення подбайте про те, щоб екран не був спрямований на сонце чи джерело штучного освітлення.
- Не заносьте телевизор із холоду в тепле приміщення. Різка зміна температури може викликати конденсацію вологи. Це може призвести до погіршення якості зображення і якості відтворення кольорів. У такому разі дайте волозі повністю випаруватися і лише потім вмикайте телевизор.

Оточення:

- Гарячі, вологі або надмірно запилені місця; місця, куди можуть потрапити комахи; де телевизор може зазнати механічної вібрації, поблизу займих речей (свічок тощо). Захищайте телевизор від крапель і бризок рідини та не ставте на нього наповнені рідиною предмети, наприклад вази.
- Не встановлюйте телевизор у вологих і пильних місцях, а також у приміщеннях, де присутній маслянистий дим або пара (поряд із кухонним столом чи зволожувачем). Це може спричинити пожежу, електричний удар або деформацію.
- Не встановлюйте телевизор у місцях, які перебувають під дією високих температур, наприклад, під прямими сонячними променями, поблизу батареї опалення або нагрівально-вентиляційної системи. Перегрівання телевизора може призвести до деформації корпусу і пошкодження самого пристрою.



Ситуація:

- Не використовуйте телевизор, якщо у вас мокрі руки, якщо корпус телевизора знятий, а також не використовуйте його з устаткування, не рекомендованим виробником. Від'єднуйте телевизор від розетки та антени під час грози.
- Не встановлюйте телевизор так, щоб він виступав у оточуючий простір. Від удару об телевизор можуть постраждати люди й пошкодитися інші предмети.



Поломка компонентів:

- Не кидайте нічого в телевизор. Скло екрана може розбитися від удару та спричинити серйозну травму.
- Якщо корпус телевизора тріснув, не торкайтеся його, доки ви не від'єднаєте силовий шнур від електромережі. Інакше може статися ураження електричним струмом.

Коли телевизор не використовується

- Якщо ви не будете використовувати телевизор протягом кількох днів, його слід від'єднати від електромережі з міркувань безпеки та збереження навколишнього середовища.
- Оскільки просте вимкнення телевизора не означає його від'єднання від електромережі, потрібно витягнути штепсель з електричної розетки, щоб відключити телевизор повністю.
- Однак деякі телевизори мають такі функції, для належної роботи яких телевизори мають залишатися в режимі очікування.

Щодо дітей

- Не дозволяйте дітям залазити на телевизор.
- Тримайте малі деталі поза доступом дітей, щоб діти їх випадково не проковтнули.

У разі виникнення нижченаведених проблем...

У разі виникнення будь-якої з нижченаведених проблем негайно **вимкніть** телевизор і від'єднайте кабель живлення від електромережі.

Зверніться до свого продавця або сервісного центру Sony з проханням, щоб ваш телевизор перевірів кваліфікований працівник.

Коли:

- Кабель живлення пошкоджено.
- Штепсель погано тримається в електричній розетці.
- Телевизор пошкоджено у результаті падіння, удару або потрапляння у нього якого-небудь предмета.
- Через отвори у корпусі всередину потрапила рідина або твердий предмет.

Про температуру РК-дисплея

Якщо РК-дисплей використовується протягом тривалого часу, то зона навколо нього нагрівається. Це можна відчутися на дотик.

КРОНШТЕЙН ДЛЯ НАСТІННОГО КРІПЛЕННЯ

Нижче наведено інформацію про належне використання кронштейна для настінного кріплення. Уважно прочитайте цю інформацію і правильно використовуйте кронштейн для настінного кріплення.

Інформація для споживачів:

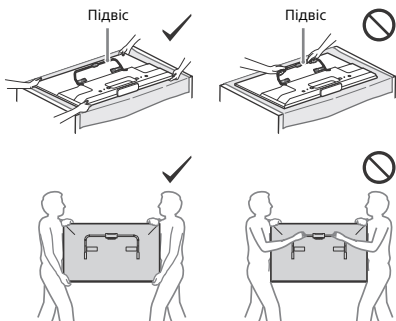
Дотримуйтеся наступних правил техніки безпеки, щоб уникнути серйозних травм у результаті пожежі, електричного удару, перекидання чи падіння виробу.

- Довіряйте виконувати встановлення ліцензованим підрядникам і тримайте малих дітей подалі під час встановлення.
- Довіряйте виконувати транспортування і демонтаж телевизора ліцензованим підрядникам.
- Не викручуйте гвинти і т. і. після монтажу телевизора.
- Не намагайтеся змінити конструкцію кронштейна для настінного кріплення.
- Не встановлюйте інше обладнання, окрім вказаного виробу.
- Не встановлюйте на кронштейн для настінного кріплення інші предмети на додачу до телевизора.
- Не спірайтеся і не вийшайте на телевизор.
- Не застосовуйте надмірну силу під час чищення чи технічного обслуговування телевизора.

Інформація для дилерів і підрядників Sony:

Наступні інструкції стосуються тільки дилерів і підрядників Sony. Обов'язково прочитайте наведені нижче правила техніки безпеки та приділяйте особливу увагу безпеці під час встановлення, технічного обслуговування і перевірки цього виробу.

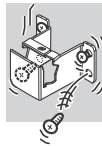
- У процесі переміщення чи закріплення телевизора тримайте його з боків. Не піднімайте телевизор за підвіс.



- Не встановлюйте кронштейн для настінного кріплення таким чином, що кути чи бічні поверхні телевизора будуть виступати за площину стіни.



- Не встановлюйте телевизор під або над кондиціонером.
- Надійно встановіть кронштейн для настінного кріплення на стіні, дотримуючись інструкцій у цьому посібнику з експлуатації. Якщо хоча б один гвинт ослабне чи випаде, кронштейн для настінного кріплення може впасти і завдати травми чи пошкодити майно.
- Використовуйте гвинти і кріпильні елементи з комплекту постачання відповідно до інструкцій у цьому посібнику з експлуатації. У разі використання інших елементів телевизор може впасти і пошкодитися або завдати фізичних травм.
- Належним чином складіть кронштейн, дотримуючись інструкцій у цьому посібнику з експлуатації.
- Надійно закручуйте гвинти у відповідних місцях.
- Оберегайте телевизор від струсів під час встановлення.
- Встановлюйте телевизор на рівній, вертикальній стіні.
- Після належного встановлення телевизора надійно зафіксуйте кабелі.
- У разі заземлення кабелю живлення чи з'єднувальних кабелів внутрішні жили можуть прорвати ізоляцію, спричинивши коротке замикання чи розмикання електричного контуру.



Застережні заходи

Перегляд телевизора

- Деякі люди можуть відчувати дискомфорт (напруження очей, втома, нудота тощо), переглядаючи тривимірні відеозображення або граючи у стереоскопічні тривимірні ігри. Sony рекомендує гравцям, які переглядають тривимірні відеозображення або грають у стереоскопічні тривимірні ігри, робити регулярні перерви. Тривалість та періодичність перерв залежить від індивідуальних особливостей глядача. Ви самі маєте визначити для себе оптимальний режим перегляду. Відчувши дискомфорт, припиніть перегляд тривимірних відеозображень або стереоскопічних тривимірних ігор, поки добре самопочуття не відновиться; за потреби зверніться до лікаря. Також слід (i) прочитати інструкції до всіх пристроїв або носіїв, що використовуються разом із цим телевизором, і (ii) ознайомитися з останньою інформацією на нашому сайті в Інтернеті (<http://support.sony-europe.com/>). Слід пам'ятати, що органи зору у малих дітей (особливо у молодших за шість років) ще формуються. Перед тим, як дозволити дітям переглядати тривимірні відеозображення або грати у стереоскопічні тривимірні ігри, проконсультуйтеся з лікарем (педіатром або офтальмологом). Дорослі мають наглядати за малими дітьми, забезпечуючи дотримання дитячих рекомендацій, що наведені вище.
- Забороняється використовувати, зберігати чи залишати окуляри 3D або батарейку поблизу вогню чи у місцях з високою температурою, наприклад, під прямими променями сонця або в автомобілі, що стоїть на сонці.
- При використанні режиму імітації тривимірного ефекта пам'ятати, що це тривимірне відображення модифікується даним телевизором шляхом перетворення вихідного зображення.
- Дивіться телевизор при помірному освітленні, оскільки перегляд телевизора при поганому освітленні або протягом тривалого часу призводить до напруження очей.
- Використовуйте навушники, відрегулюйте гучність таким чином, щоб уникнути надмірних рівнів, оскільки в іншому разі це може призвести до погіршення слуху.

ПК-екран

- Незважаючи на те, що РК-екран виготовлений із використанням високоточної технології і 99,99% або більше пікселів ефективно функціонують, на екрані можуть з'являтися чорні точки або яскраві точки світла (червоні, сині або зелені). Це структурна властивість РК-екрана, а не результат його несправності.
- Не штовхайте й не дряпайте передній фільтр і не кладіть речі на цей телевизор. Зображення може стати нерівномірним або РК-екран може бути пошкоджено.
- Якщо телевизор використовується у холодному приміщенні, зображення може стати розмитим або темним. Це не є ознакою несправності. Такі явища зникають при підвищенні температури.
- При тривалому відтворенні нерухомих зображень на них може з'являтися ореол.
- Екран і корпус нагріваються під час роботи телевизора. Це не є несправністю.
- РК-екран містить невелику кількість рідкого кристала. Дотримуйтеся місцевих постанов і правил щодо утилізації.

Догляд і чищення екрана/корпусу телевизора

Перед чищенням обов'язково від'єднайте кабель живлення телевизора від електричної розетки.

Щоб запобігти погіршенню якості матеріалів або покриття екрана, дотримуйтеся нижченаведених заходів безпеки.

- Щоб видалити пил із поверхні екрана/корпусу, обережно протріть її м'якою тканиною. Якщо заплілена стійка, протріть поверхню м'якою тканиною, злегка змоченою слабким розчином мийного засобу.
- Не розбризкуйте воду або мийучий засіб безпосередньо на телевизор. Рідина може потрапити на нижню частину екрана чи на зовнішні деталі, а потім всередину приладу і пошкодити телевизор.
- Ніколи не використовуйте жодні жорсткі тканини, лужні або кислотні розчини й порошки для чищення або легкі розчинники, зокрема спирт, бензол, розріджувачі, інсектициди тощо. Використання таких речовин або тривалий контакт із гумою або вінилом може призвести до пошкодження поверхні екрана і матеріалу, з якого зроблено корпус.
- Для забезпечення належної вентиляції рекомендуємо періодично чистити вентиляційні отвори за допомогою пилососа.
- Регулюючи кут повороту телевизора, повертайте його повільно, щоб уникнути його переміщення або зсуву зі своєї підставки.

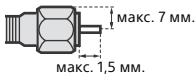


Додаткове обладнання

- Тримайте додаткові компоненти або будь-яке обладнання, від якого йде електромагнітне випромінювання, подалі від телевизора. Інакше це може спричинити спотворення зображення та/або виникнення шуму.
- Це обладнання належним чином випробуване та визнане таким, що забезпечує функціонування з обмеженнями, визначеними у директиві щодо електромагнітної сумісності (EMC Directive) за використання сигнальних кабелів, коротших за 3 метри.

Рекомендація щодо штекера типу F

Внутрішній дріт повинен виступати за з'єднувальну частину не більше, ніж на 1,5 мм.



(Довідкова схема штекера типу F)

Застереження щодо поводження з пультом дистанційного керування

- Встановлюючи елементи живлення, слідкуйте за правильністю полярності.
- Не використовуйте одночасно елементи живлення різних типів або старі й нові елементи живлення.
- Утилізуйте елементи живлення без шкоди для навколишнього середовища. У певних регіонах існують правила щодо утилізації елементів живлення. Будь ласка, дізнайтеся про це у місцевих органах влади.
- Поводьтеся з пультом обережно. Не пускайте, не наступайте на нього та не допускайте пролиття на нього жодних рідин.
- Не кладіть пульт поблизу джерел тепла, під пряме сонячне проміння та у вологі місця.

Функціонування пристрою у бездротовому режимі

- Не використовуйте цей пристрій у безпосередній близькості від медичного обладнання (електрокардіостимуляторів тощо), оскільки це може призвести до переробів у роботі медичного обладнання.
- Не зважаючи на те, що цей пристрій передає/отримує кодовані сигнали, остерігайтеся несанкціонованого перехоплення. Виробник не несе відповідальності за виникнення будь-яких проблемних ситуацій у зв'язку з цим.

КРОНШТЕЙН ДЛЯ НАСТІННОГО КРІПЛЕННЯ

- У залежності від матеріалу стіни тривале використання телевизора на кронштейні для настінного кріплення може спричинити знебарвлення стіни позаду телевизора і над ним або відклеювання шпалер.
- Якщо демонтувати встановлений раніше кронштейн для настінного кріплення, то в стіні залишаться отвори від гвинтів.
- Не використовуйте кронштейн для настінного кріплення в місцях, де він буде зазнавати дії механічної вібрації.

Утилізація телевизора



Утилізація старого електричного та електронного обладнання (застосовується в Європейських країнах із системами роздільного збирання сміття)



Переробка використаних елементів живлення (директива діє у межах країн Європейського Союзу та інших країн Європи зі системами роздільного збору відходів)

Настінне кріплення

Інформація для споживачів

Для встановлення цього виробу необхідно мати достатній досвід. Довіряйте виконувати встановлення тільки дилерам чи ліцензованим підрядникам Sony і приділяйте належну увагу безпеці під час встановлення. Компанія Sony не несе жодної відповідальності за збитки і травми, викликані неправильною експлуатацією чи встановленням, а також використанням виробів, відмінних від вказаного. Це твердження не обмежує інші права, які можуть належати вам за законом.

Інформація для дилерів і підрядників Sony

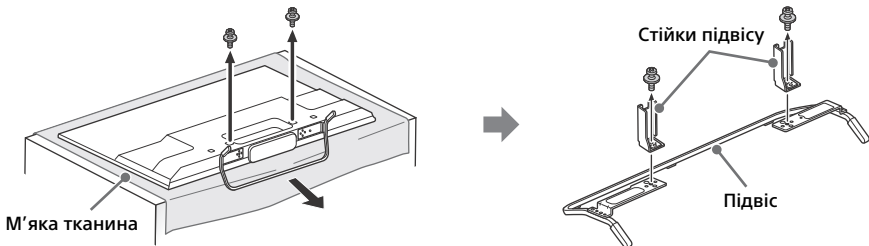
Для встановлення цього виробу необхідно мати достатній досвід. Щоб безпечно виконати установку, уважно прочитайте цей посібник з експлуатації. Компанія Sony не несе жодної відповідальності за збитки й травми, викликані неправильною експлуатацією чи встановленням.

Настільна підпора для телевізора буде використовуватися в складі кронштейна для настінного кріплення.

Примітка

- Перед встановленням кронштейна для настінного кріплення прочитайте (Відомості з безпеки) стор. 3 та (Застережні заходи) стор. 5 щодо кронштейна для настінного кріплення.
- Якщо до телевізора прикріплена настільна підпора, від'єднайте її.
- Щоб не пошкодити РК-панель під час кріплення підвісу або від'єднання настільної підпори, покладіть телевізор екраном донизу на рівну, стійку поверхню, що має більші розміри, ніж телевізор, та вкрита товстою, м'якою тканиною.
- Після від'єднання стійок від підвісу зберігайте їх разом із гвинтами в безпечному місці.
- Приєднуючи настільну підпору, вкрутіть раніше викручені гвинти у відповідні отвори ззаду на телевізорі.
- Перед тим як увімкнути телевізор, встановіть його вертикально. Щоб запобігти формуванню нерівномірного зображення, не вмикайте телевізор, розташований РК-панеллю донизу.

Від'єднання настільної підпори від телевізора

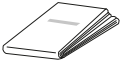


Встановлення кронштейна на стіні

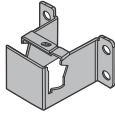
1 Підготуйте необхідні деталі.

Акcesуари до кронштейна для настінного кріплення (входять у комплект)

A Паперовий шаблон



B Настінна база
KDL-50W82xB,
KDL-50W81xB,
KDL-50W80xB,
KDL-50W70xB (2)
KDL-42W82xB,
KDL-42W81xB,
KDL-42W80xB,
KDL-42/32W70xB (1)



C Протектор для підвісу
KDL-50W82xB,
KDL-50W81xB,
KDL-50W80xB,
KDL-50W70xB (2)
KDL-42W82xB,
KDL-42W81xB,
KDL-42W80xB,
KDL-42/32W70xB (1)



D Гвинт
(+PSW 6 × 12) (2)



E Шайба (2)



F Верхня кришка кронштейна
KDL-50W82xB,
KDL-50W81xB,
KDL-50W80xB,
KDL-50W70xB (2)
KDL-42W82xB,
KDL-42W81xB,
KDL-42W80xB,
KDL-42/32W70xB (1)

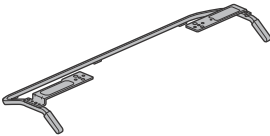


G Гвинт (+PSW 4 × 10)
KDL-50W82xB,
KDL-50W81xB,
KDL-50W80xB,
KDL-50W70xB (2)
KDL-42W82xB,
KDL-42W81xB,
KDL-42W80xB,
KDL-42/32W70xB (1)



Підвіс (входить у комплект)

H



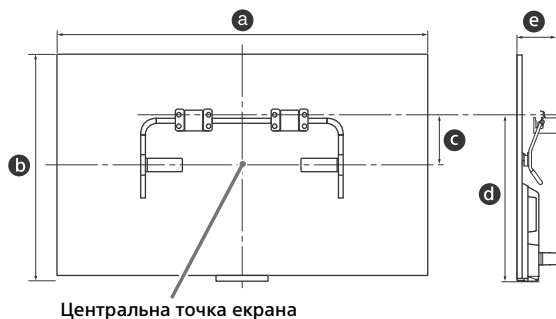
Гвинти для настінної бази (діаметр 8 мм, не входять у комплект)

KDL-50W82xB,
KDL-50W81xB,
KDL-50W80xB,
KDL-50W70xB (8)
KDL-42W82xB,
KDL-42W81xB,
KDL-42W80xB,
KDL-42/32W70xB (4)

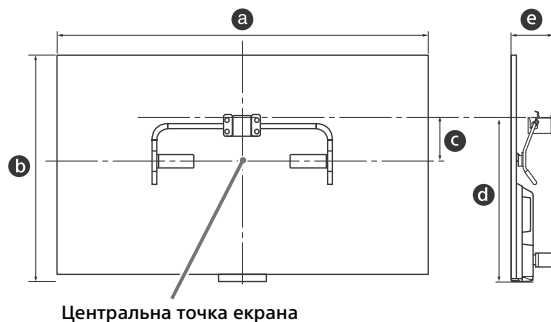
2 Переконайтеся, що стіна має достатні розміри і в змозі витримати вагу, щонайменше в чотири рази більшу за вагу телевізора.

Дані, необхідні для встановлення телевізора на стіні, можна знайти в наведеній нижче таблиці. Вагу телевізора див. на стор. 15-18 (Технічні характеристики).

KDL-50W82xB, KDL-50W81xB, KDL-50W80xB, KDL-50W70xB



KDL-42W82xB, KDL-42W81xB, KDL-42W80xB, KDL-42/32W70xB



Одиниця виміру: см

Назва моделі KDL-	Габарити дисплея		Габарити центру екрана	Розмір для монтажу	
	a	b	c	d	e
50W82xB/ 50W81xB/ 50W80xB/ 50W70xB	111,6	65,6	13,0	46,9	11,8
42W82xB/ 42W81xB/ 42W80xB/ 42W70xB	95,8	56,3	17,5	46,5	11,8
32W70xB	72,9	43,3	18,8	41,3	11,3

Примітка

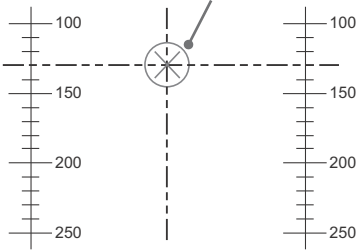
- Цифри у наведеній таблиці можуть дещо відрізнятися в залежності від монтажу.

3 Позначте на паперовому шаблоні (А) центр екрана телевізора.

**KDL-50W82xB, KDL-50W81xB,
KDL-50W80xB, KDL-50W70xB**

Лінійка на паперовому шаблоні (А)

Позначка для KDL-50W82xB, KDL-50W81xB,
KDL-50W80xB, KDL-50W70xB

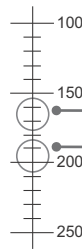


**KDL-42W82xB, KDL-42W81xB,
KDL-42W80xB, KDL-42/32W70xB**

Лінійка на паперовому шаблоні (А)

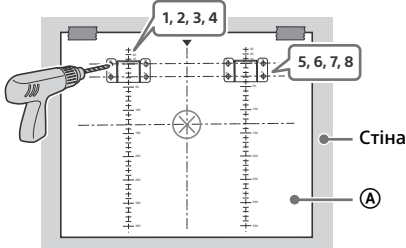
Позначка для KDL-42W82xB,
KDL-42W81xB, KDL-42W80xB,
KDL-42W70xB

Позначка для KDL-32W70xB

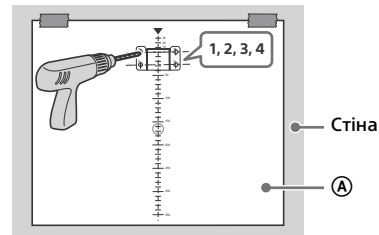


4 Приклейте паперовий шаблон (А) до стіни і за допомогою електродриля зробіть отвори в точках, позначених цифрами на паперовому шаблоні (А).

**KDL-50W82xB, KDL-50W81xB,
KDL-50W80xB, KDL-50W70xB**



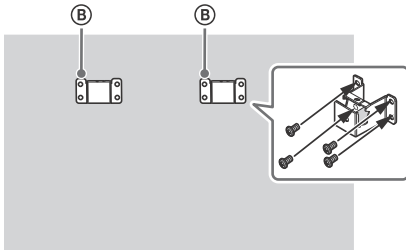
**KDL-42W82xB, KDL-42W81xB,
KDL-42W80xB, KDL-42/32W70xB**



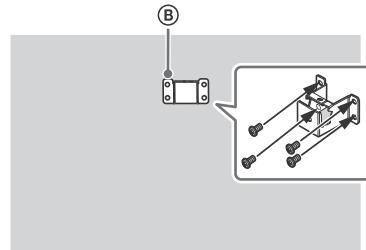
5 Зніміть паперовий шаблон (А) зі стіни.

6 Правильно закріпіть настінную базу (В) на стіні, використовуючи гвинти діаметром 8 мм (не входять у комплект).

**KDL-50W82xB, KDL-50W81xB,
KDL-50W80xB, KDL-50W70xB**

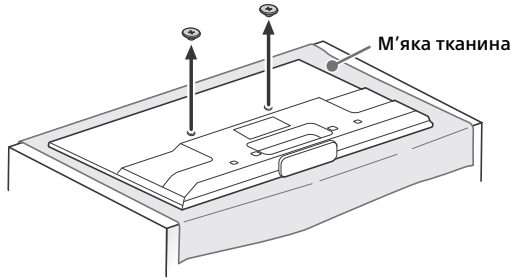


**KDL-42W82xB, KDL-42W81xB,
KDL-42W80xB, KDL-42/32W70xB**



Підготовка до встановлення телевізора

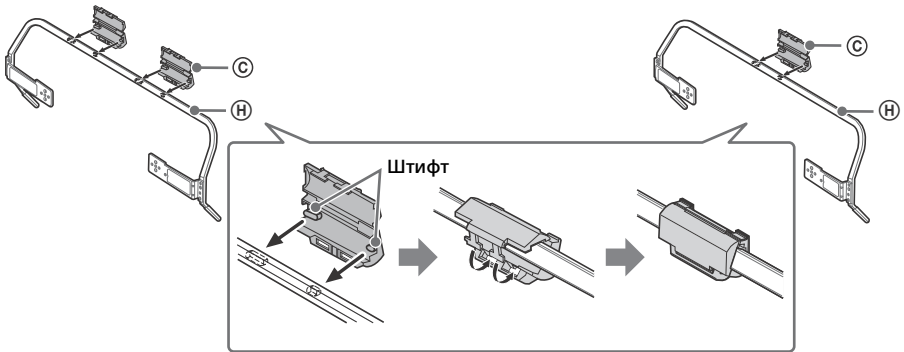
- 1 Викрутіть гвинти ззаду на телевізорі. Тримайте викручені гвинти в безпечному, недоступному для дітей місці.



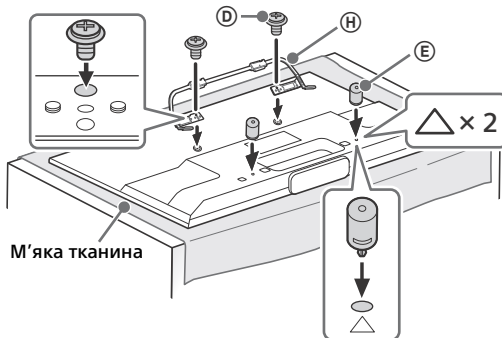
- 2 Вставте стержень (на протекторі для підвісу ©) в отвір на підвісі ④ і закрийте протектор для підвісу ©. Переконайтеся, що протектор для підвісу © надійно тримається на підвісі ④.

KDL-50W82xB, KDL-50W81xB,
KDL-50W80xB, KDL-50W70xB

KDL-42W82xB, KDL-42W81xB,
KDL-42W80xB, KDL-42/32W70xB

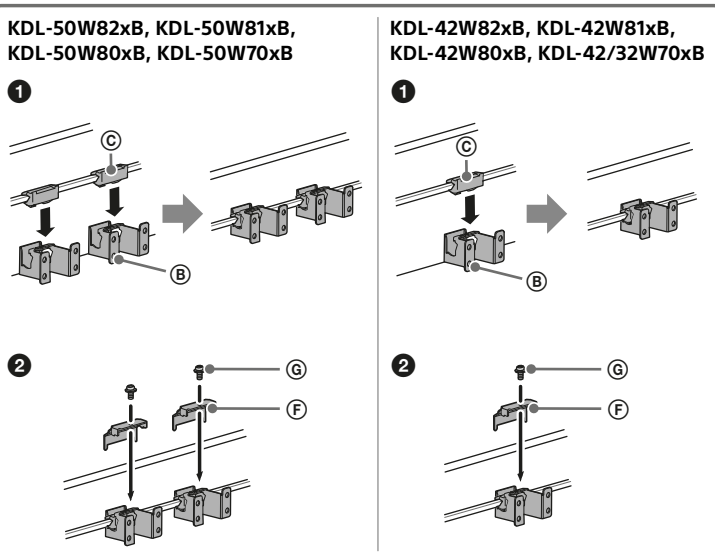
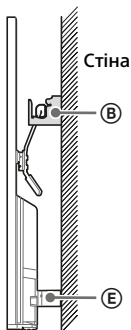
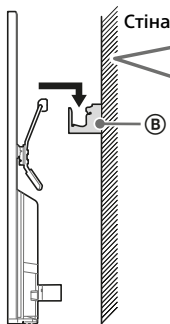


- 3 Прикріпіть підвіс ④ до телевізора за допомогою гвинтів ② із комплекту постачання. Вставте шайби ③ в отвори, позначені трикутниками Δ. Для ілюстрації використано модель KDL-50W82xB, KDL-50W81xB, KDL-50W80xB, KDL-50W70xB.



Встановлення телевізора на стіні

- 1 Перед встановленням телевізора на стіні підключіть і зв'яжіть кабелі.
- 2 Встановіть телевізор на стіні. Переконайтеся, що протектор для підвісу © надійно тримається в настінній базі ©, а шайби © торкаються до стіни. Прикрутіть верхню кришку кронштейна © за допомогою гвинтів із комплекту постачання ©.



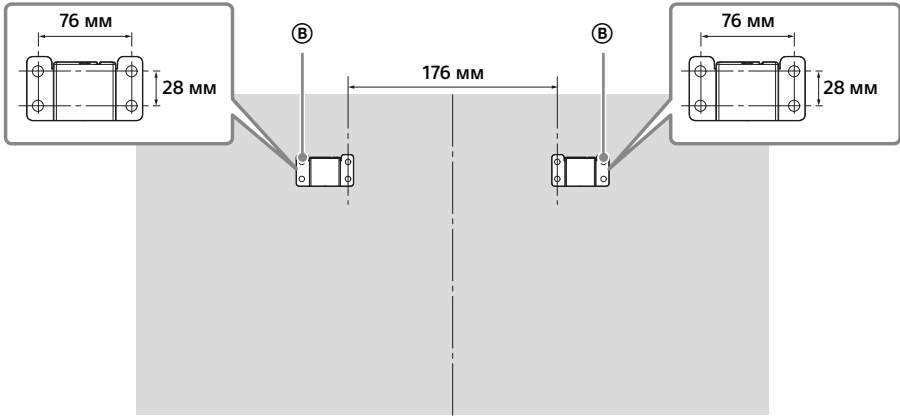
Розміри для свердління отворів у стіні

Надайте цю інформацію ліцензованому підряднику.

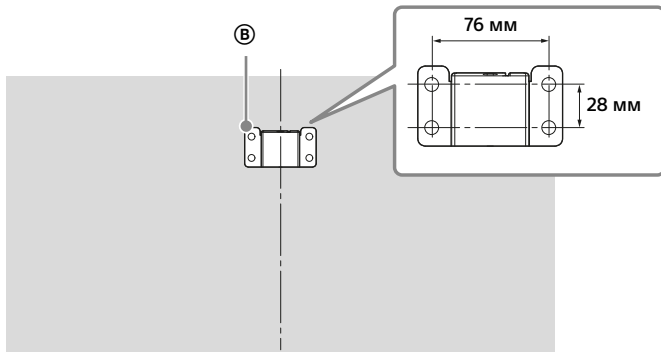
Для кріплення настінної бази ② до стіни використовуйте гвинти діаметром 8 мм (входять у комплект).

Використовуйте паперовий шаблон ① із комплекту постачання, який показує фактичне положення настінної бази В та спрощує встановлення.

KDL-50W82xB, KDL-50W81xB, KDL-50W80xB, KDL-50W70xB



KDL-42W82xB, KDL-42W81xB, KDL-42W80xB, KDL-42/32W70xB



Щоб отримати інструкції зі встановлення кронштейна для настінного кріплення для вашої моделі телевізора, відвідайте наведений нижче веб-сайт:
www.sony.eu/tv/wall-mount-bracket-manual

Усунення несправностей

Якщо індикатор підсвічування блимає червоним, порахуйте кількість блимань (інтервал складає три секунди).

Якщо LED-освітлення блимає червоним, скиньте настройки телевізора. Для цього на дві хвилини від'єднайте кабель живлення від телевізора, а потім знову увімкніть телевізор. Якщо проблема не зникає, зверніться до найближчого магазину або сервісного центру Sony і повідомте кількість блимань червоного LED-освітлення (інтервал — три секунди). Натисніть I/⏻ на телевізорі, щоб вимкнути його, витягніть штекер із розетки і зверніться в магазин або до сервісного центру Sony.

Якщо індикатор підсвічування не блимає, перевірте наступні можливості.

Див. розділ [Усунення несправностей] у посібнику i-Manual або запустіть самодіагностику, вибравши ? [Довідка] → [Підтримка користувачів] → [Самодіагностика]. Якщо проблема не зникає, віддайте телевізор на обслуговування кваліфікованому спеціалісту.

Несправності та способи їх усунення

Відсутній звук і зображення (екран темний).

- Перевірте антену та кабельне з'єднання.
- Підключіть телевізор до електромережі й натисніть кнопку I/⏻ на телевізорі або на пульті дистанційного керування.

Не вдається настроїти окремі канали.

- Перевірте антену або супутникову тарілку.
- Супутниковий кабель може бути закорочений або на ньому можуть бути проблеми зі з'єднанням. Перевірте з'єднання кабелю, а потім вимкніть телевізор кнопкою перемикання живлення і знову увімкніть його.
- Задана частота виходить за межі діапазону. Зверніться до компанії супутникового телебачення.

Не вдалося знайти жодної послуги (каналу) кабельного телебачення.

- Перевірте підключення кабелю і параметри настройки.
- Спробуйте скористатися функцією [Цифрове автонастроювання], вибравши [Антенa] замість [Кабель].

Пульт дистанційного керування не працює.

- Замініть батарейки.
- Можливо, телевізор перебуває в режимі SYNC. Натисніть **SYNC MENU**, виберіть [Керування ТВ], а потім [Вдома (Меню)] або [Опції], щоб керувати телевізором.

Ви забули пароль для функції [Батьківський захист].

- Введіть PIN-код 9999. (PIN-код 9999 завжди діє.)

Зона навколо телевізора нагрівається.

- Якщо телевізор використовується протягом тривалого часу, зона навколо нього нагрівається. Це можна відчути на дотик.

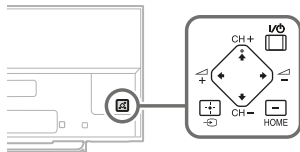
Зображення або звук «завмирає», пустий екран, телевізор не реагує на натиснення кнопок на телевізорі або на пульті дистанційного керування.

- Щоб виконати простий перезапуск телевізора, від'єднайте шнур живлення від розетки, а через 2 хвилини знову підключіть його.


Ви не можете знайти кнопки I/⏻, CH+/-, ⏪ +/-, ⏩ /⏪+/⏩, ⏮, [] і HOME на телевізорі.

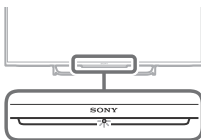
- Розташування кнопок на телевізорі див. на наведеній нижче ілюстрації.

Задня панель телевізора



LED-освітлення увімкнено.

- LED-освітлення можна вимкнути. Натисніть кнопку **HOME**, виберіть  [Налаштування] → [Налаштування системи] → [Загальне налаштування] → [LED-освітлення] → [Вимкн]. Також ви можете натиснути **OPTIONS** і вибрати [LED-освітлення] → [Вимкн].



Не встановлюється підключення до бездротового маршрутизатора за допомогою WPS.

- У разі використання безпеки WEP виберіть [Простий] → [Wi-Fi] → [Під'єд. за доп. списку сканув.].
Потім виберіть ім'я мережі (SSID), до якої треба підключитися.

Не вдається знайти ім'я потрібної мережі в налаштуваннях мережі.

- Виберіть [[Введення вручну]] і натисніть ⊕, щоб ввести ім'я мережі.

Технічні характеристики

Система

Система панелі

РК-панель (Рідкокристалічний Дисплей),
Світлодіодне підсвічування

Телевізійна система

Аналогова: Залежно від вибраної країни або регіону: В/G, D/K, L, I, M
Цифрова: DVB-T/DVB-C
DVB-T2
Супутник: DVB-S/DVB-S2

Система кольорів/відео

Аналогова: PAL, SECAM, NTSC3.58, NTSC4.43
Цифрова: Див. в i-Manual.

Покриття каналів

Аналогова: UHF/VHF/кабель, Залежно від вибраної країни або регіону.

Цифрові: UHF/VHF/кабель, Залежно від вибраної країни або регіону.

Супутник: Проміжна частота 950–2150 МГц

Виведення звуку

8 Вт + 8 Вт (крім KDL-32W70xB)

5 Вт + 5 Вт (тільки KDL-32W70xB)

Безпроводова технологія

Протокол IEEE802.11a/b/g/n

Технологія Bluetooth

Bluetooth 3.0

Вхідні та вихідні гнізда



Антенний кабель

Зовнішній роз'єм із опором 75 Ом для VHF/UHF

Супутникова антена

Гніздовий роз'єм типу F (IEC169-24), 75 Ом.

DiSEqC 1.0, LNB 13 В/18 В, звук 22 кГц, Передача одним кабелем EN50494.

 /  AV1

21-штирковий роз'єм Scart (стандарт CENELEC), у тому числі аудіо/відеовхід, вхід RGB та аудіо/відеовихід телевізора.

 /  COMPONENT IN

YpPr (компонентний відеосигнал): 1080p (50, 60 Гц), 1080i (50, 60 Гц), 720p (50, 60 Гц), 576p, 576i, 480p, 480i

Аудіовхід (роз'єми RCA)

 AV2

Відеовхід (звичайний штекер RCA із входом Y)

HDMI IN 1, 2, 3, 4 (крім KDL-50/42/32W70xB)

Відео (2D): 1080p (30, 50, 60 Гц), 1080/24p, 1080i (50, 60 Гц), 720p (30, 50, 60 Гц), 720/24p, 576p, 576i, 480p, 480i, Комп'ютерні формати
Відео (3D):

Упакування кадрів: 1080p (30 Гц), 1080/24p, 1080i (50, 60 Гц), 720p (30, 50, 60 Гц), 720/24p
Поруч: 1080p (50, 60 Гц), 1080/24p, 1080i (50, 60 Гц), 720p (50, 60 Гц)
Один над одним: 1080p (30, 50, 60 Гц), 1080/24p, 1080i (50, 60 Гц), 720p (50, 60 Гц)

Звук: лінійний PCM (5.1-канальний): 32, 44,1 та 48 кГц, 16, 20 та 24 біти, Dolby Digital
ARC (Зворотній аудіоканал) (тільки HDMI IN 2)

HDMI IN 1, 2, 3, 4 (тільки KDL-50/42/32W70xB)

Відео: 1080p (30, 50, 60 Гц), 1080/24p, 1080i (50, 60 Гц), 720p (30, 50, 60 Гц), 720/24p, 576p, 576i, 480p, 480i, Комп'ютерні формати
Звук: лінійний PCM (5.1-канальний): 32, 44,1 та 48 кГц, 16, 20 та 24 біти, Dolby Digital
ARC (Зворотній аудіоканал) (тільки HDMI IN 2)

MHL (Звичайно з HDMI IN 1)

(крім KDL-50/42/32W70xB)

Відео (2D): 1080p (30 Гц), 1080/24p, 1080i (50, 60 Гц), 720p (30, 50, 60 Гц), 720/24p, 576p, 576i, 480p, 480i
Відео (3D):

Поруч: 1080/24p, 1080i (50, 60 Гц), 720p (50, 60 Гц)

Один над одним: 1080p (30 Гц), 1080/24p, 1080i (50, 60 Гц), 720p (50, 60 Гц)

Звук: лінійний PCM (5.1-канальний): 32, 44,1 та 48 кГц, 16, 20 та 24 біти, Dolby Digital

MHL (Звичайно з HDMI IN 1)

(тільки KDL-50/42/32W70xB)

Відео: 1080p (30 Гц), 1080/24p, 1080i (50, 60 Гц), 720p (30, 50, 60 Гц), 720/24p, 576p, 576i, 480p, 480i

Звук: лінійний PCM (5.1-канальний): 32, 44,1 та 48 кГц, 16, 20 та 24 біти, Dolby Digital

DIGITAL AUDIO OUT (OPTICAL)

Додатковий цифровий роз'єм (двоканальна лінійна імпульсно-кодова модуляція (Linear PCM), Dolby Digital)

AUDIO OUT

Аудіовихід (стерео мініроз'єм)

Гніздо для навушників
(для сабвуфера необхідна опора)

ψ1 (HDD REC), ψ2

Гніздо для пристрою USB HDD (тільки ψ1), порт USB



Гніздо CAM (модуль обумовленого доступу)

DC IN 19.5 V

Вхід адаптера

LAN

Роз'єм 10BASE-T/100BASE-TX (Залежно від робочого середовища мережі швидкість з'єднання може відрізнятись. Швидкість та якість передачі даних 10BASE-T/100BASE-TX не гарантуються для цього телевізора.)

Інше

Додаткові аксесуари

Пульт ДК із сенсорною панеллю: RMF-ED004
Блок камери та мікрофона: CMU-BR200/CMU-BR100

Бездротовий сабвуфер: SWF-BR100

MHL-кабелі: DLC-MB10/DLC-MB20/DLC-MC10/DLC-MC20

Активні окуляри 3D: TDG-BT500A (тільки KDL-50W82xB, KDL-50W81xB, KDL-50W80xB)



Пасивні окуляри 3D: TDG-500P (тільки KDL-42W82xB, KDL-42W81xB, KDL-42W80xB)



Умови зберігання:

Продукцію зберігають в упакованому виді в темних, сухих, чистих, добре вентильованих приміщеннях, ізольованих від місць зберігання кислот і лугів. Температура зберігання*: від -20 до +60°C. Відносна вологість зберігання*: Відносна вологість <80% (без конденсації).

*Примітка: неможливо отримати максимальні значення для обох параметрів одночасно. Робоча температура: від 0 до 40°C. Робоча відносна вологість: Відносна вологість 10% - 80% (без конденсації).

Живлення та інше

Споживана потужність

19,5 В постійного струму з адаптером змінного струму

Номинальна вхідна потужність: 220 В - 240 В змінного струму, 50 Гц

Клас енергоефективності

KDL-50W82xB, KDL-50W81xB, KDL-50W80xB, KDL-50W70xB: A++
KDL-42W82xB, KDL-42W81xB, KDL-42W80xB, KDL-42W70xB: A+
KDL-32W70xB: A

Розмір екрана (вимірний по діагоналі)
(Прибл.)

KDL-50W82xB, KDL-50W81xB, KDL-50W80xB,
KDL-50W70xB: 50 дюймів / 125,7 см
KDL-42W82xB, KDL-42W81xB, KDL-42W80xB,
KDL-42W70xB: 42 дюймів / 106,7 см
KDL-32W70xB: 32 дюймів / 80,1 см

споживання електро-енергії

У режимі [Стандартне]

KDL-50W82xB, KDL-50W81xB, KDL-50W80xB,
KDL-50W70xB: 51 Вт
KDL-42W82xB, KDL-42W81xB, KDL-42W80xB,
KDL-42W70xB: 50 Вт
KDL-32W70xB: 39 Вт

У режимі [Яскравий]

KDL-50W82xB, KDL-50W81xB, KDL-50W80xB,
KDL-50W70xB: 100 Вт
KDL-42W82xB, KDL-42W81xB, KDL-42W80xB,
KDL-42W70xB: 99 Вт
KDL-32W70xB: 80 Вт

Середньорічне споживання електроенергії*1

KDL-50W82xB, KDL-50W81xB, KDL-50W80xB,
KDL-50W70xB: 71 кВт-г
KDL-42W82xB, KDL-42W81xB, KDL-42W80xB,
KDL-42W70xB: 69 кВт-г
KDL-32W70xB: 54 кВт-г

Споживання електроенергії в режимі
очікування*2

0,5 Вт (10 Вт у режимі оновлення програмного
забезпечення/електронної програми
телепередач)

Роздільна здатність дисплея

1920 точок (по горизонталі) × 1080 рядків (по
вертикалі)

Габаритні розміри (Приблизно) (ш × в × т)

з настільною підпорою

KDL-50W82xB, KDL-50W81xB, KDL-50W80xB,
KDL-50W70xB: 111,6 × 69,3 × 17,9 см
KDL-42W82xB, KDL-42W81xB, KDL-42W80xB,
KDL-42W70xB: 95,8 × 60,0 × 17,0 см
KDL-32W70xB: 72,9 × 46,5 × 14,1 см

без настільної підпори

KDL-50W82xB, KDL-50W81xB, KDL-50W80xB,
KDL-50W70xB: 111,6 × 65,6 × 6,4 см
KDL-42W82xB, KDL-42W81xB, KDL-42W80xB,
KDL-42W70xB: 95,8 × 56,3 × 6,4 см
KDL-32W70xB: 72,9 × 43,3 × 6,4 см

Вага (Приблизно)

з настільною підпорою

KDL-50W82xB, KDL-50W81xB, KDL-50W80xB,
KDL-50W70xB: 14,8 кг
KDL-42W82xB, KDL-42W81xB, KDL-42W80xB,
KDL-42W70xB: 11,7 кг
KDL-32W70xB: 7,9 кг

без настільної підпори

KDL-50W82xB, KDL-50W81xB, KDL-50W80xB,
KDL-50W70xB: 13,6 кг
KDL-42W82xB, KDL-42W81xB, KDL-42W80xB,
KDL-42W70xB: 10,5 кг
KDL-32W70xB: 6,9 кг

- *1 Річне споживання електроенергії за умови експлуатації телевізора 4 години на день, 365 днів на рік. Фактичний рівень споживання електроенергії залежить від режиму використання телевізора.
- *2 Вказане споживання електроенергії в режимі очікування досягається після того, як телевізор завершить усі внутрішні процеси.

Примітки

- Літера «x» у назві моделі відповідає цифровому позначенню її конструкції, кольору чи системи телебачення.
- Виймайте карту-муляж із гнізда CAM (модуль обумовленого доступу) на телевізорі тільки після того, щоб вставити в це гніздо смарт-карту.
- Доступність аксесуарів залежить від країни, регіону, моделі та наявності на складі.
- Зовнішній вигляд і технічні характеристики можуть бути змінені без попередження.
- Цей телевізор підтримує стандарт MHL 2.

Примітки щодо функції цифрового телебачення

- Усі функції, пов'язані з цифровим телебаченням (DVZ), працюватимуть тільки в тих країнах або регіонах, де транслюється цифровий ефірний сигнал DVB-T/DVB-T2 (MPEG-2 та H.264/MPEG-4 AVC) або де є доступ до сумісного абонентського кабельного вводу DVB-C (MPEG-2 та H.264/MPEG-4 AVC). Дізнайтеся у свого продавця, чи є можливість приймати сигнал DVB-T/ DVB-T2 у місці вашого проживання, або запитайте свого провайдера кабельного телебачення, чи сумісний кабельний сервіс DVB-C, що ними надається, із цим телевізором.
- Ваш провайдер кабельного телебачення може стягати платню за свої послуги або потребувати вашої згоди з положеннями та умовами своєї діяльності.

- Цей телевізор відповідає технічним вимогам DVB-T/DVB-T2 і DVB-C, але його сумісність із майбутніми цифровими ефірними передачами DVB-T/DVB-T2 і цифровими кабельними передачами DVB-C не гарантована.
- Деякі функції цифрового телебачення можуть бути недоступними у певних країнах або регіонах, а кабель DVB-C може не працювати належним чином із деякими провайдерами.
- Патенти на стандарт DTS див. на веб-сайті <http://patents.dts.com>. Вироблено за ліцензією DTS Licensing Limited. DTS, логотип, а також DTS разом із логотипом є зареєстрованими товарними знаками, а «DTS Digital Surround» — товарним знаком компанії DTS, Inc. © DTS, Inc. Усі права захищено.
- Designed with UEI Technology™ Under License from Universal Electronics Inc. Portions © UEI 2000 – 2013
- Текстова торгова марка і логотипи Bluetooth® є власністю Bluetooth SIG, Inc. Корпорація Sony використовує їх за ліцензією. Інші торгові марки й торгові знаки належать відповідним власникам.
- DiSEqC™ є товарним знаком EUTELSAT. Цей телевізор підтримує DiSEqC 1.0. Цей телевізор не призначений для керування моторизованих антен.

Інформація про товарні знаки

- Терміни HDMI, HDMI High-Definition Multimedia Interface і логотип HDMI є товарними знаками або зареєстрованими товарними знаками HDMI Licensing LLC у США та інших країнах.
- DLNA®, логотип DLNA і DLNA CERTIFIED® є торговельними марками, знаками обслуговування або сертифікаційними знаками Digital Living Network Alliance.
- Виготовлено за ліцензією компанії Dolby Laboratories. Dolby та емблема з подвійним "D" – торговельні марки компанії Dolby Laboratories.
- «BRAVIA» і BRAVIA є товарними знаками компанії Sony Corporation.
- TrackID є товарним знаком або зареєстрованим товарним знаком Sony Mobile Communications AB.
- Gracenote, Gracenote eyeQ, Gracenote VideoID, Gracenote Video Explore, Gracenote MusicID, емблема і логотип Gracenote, а також логотип «Powered by Gracenote» є товарними знаками чи зареєстрованими товарними знаками Gracenote у США та інших країнах.
- Opera® Devices SDK from Opera Software ASA. Copyright 1995-2014 Opera Software ASA. All rights reserved.
- Wi-Fi, Wi-Fi Direct і Miracast є товарними знаками або зареєстрованими товарними знаками Wi-Fi Alliance.
- Логотип «Sony Entertainment Network» і «Sony Entertainment Network» є товарними знаками Sony Corporation.
- MHL, Mobile High-Definition Link та логотип MHL є товарними знаками або зареєстрованими товарними знаками компанії MHL Licensing, LLC.



For useful information about Sony products
Pour obtenir les informations utiles concernant les produits Sony
Información de utilidad para productos Sony
Voor nuttige informatie over Sony producten
Für hilfreiche Informationen zu Sony Produkten
Para informação útil sobre os produtos Sony
Per informazioni utili sui prodotti Sony
For nyttig informasjon om Sony-produkter
For mere informasjon om Sony-produkter
Hyödyllistä tietoa Sony tuotteista
For nyttig informasjon om Sony produkter
Szczegółowe informacje o produktach Sony

<http://support.sony-europe.com/>

Užitečné informace o výrobcích Sony
Pre viac informácií o produktoch Sony
Sony termékekről hasznos információkat találhat az alábbi weboldalon
Pentru informații utile despre produsele Sony
За полезна информация относно продуктите на Sony
Για χρήσιμες πληροφορίες σχετικά με τα προϊόντα SONY
Sony ürünleri için faydalı bilgiler
Для получения полезной информации о продукции Сони
Для отримання корисної інформації щодо виробів компанії Sony

