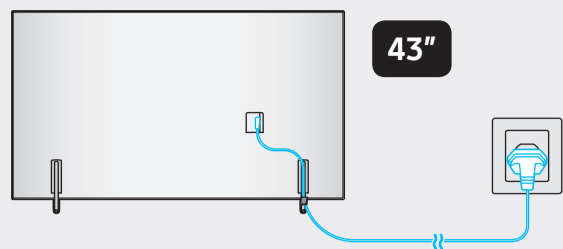
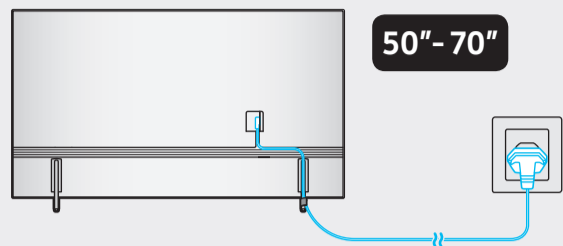
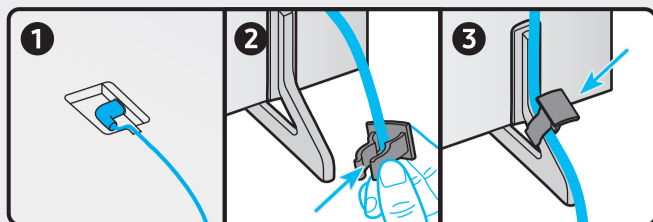


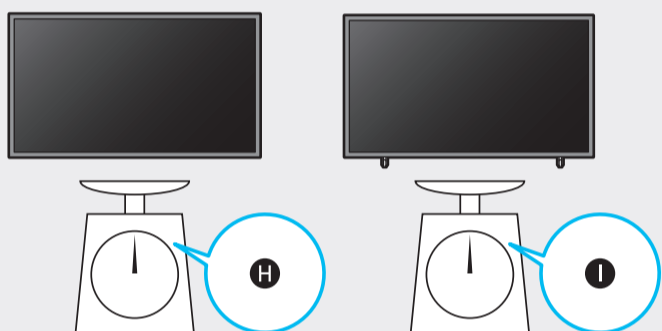
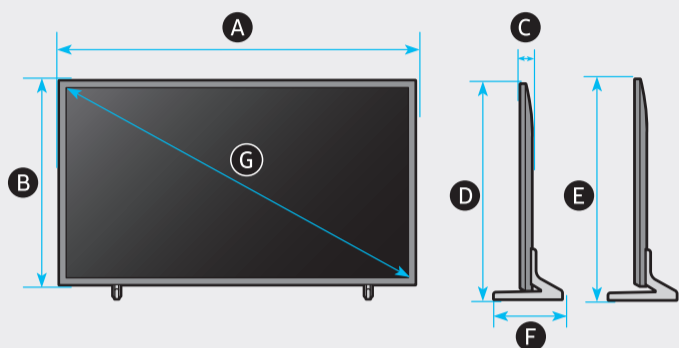
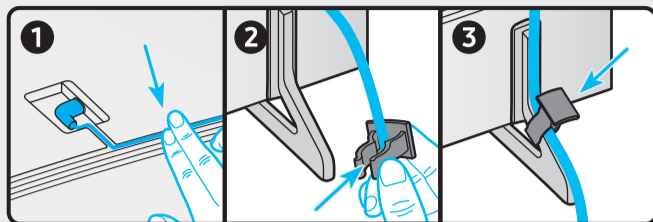
5



43"

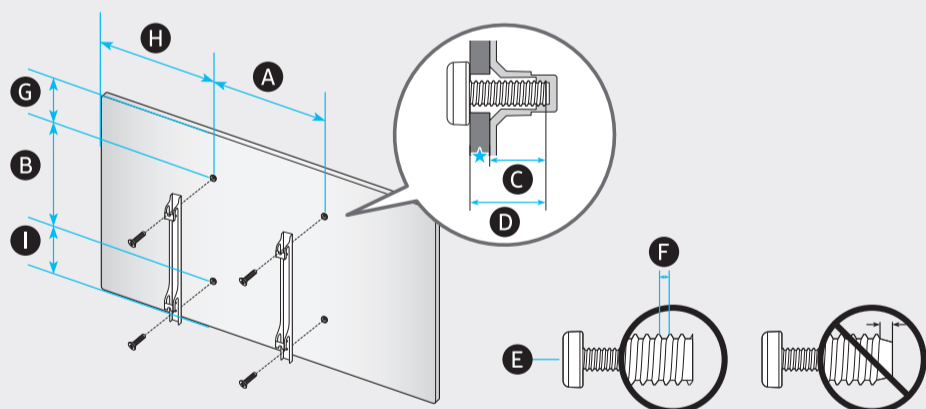
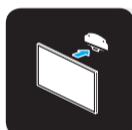


50"-70"



	A	B	C	D	E	F	G	H	I
QN43Q6*B	38.0 inches (965.5 mm)	22.0 inches (559.4 mm)	1.0 inches (25.7 mm)	23.5 inches (598.1 mm)	24.5 inches (623.1 mm)	7.1 inches (181.0 mm)	42.5 inches	18.5 lbs (8.4 kg)	19.0 lbs (8.6 kg)
QN50Q6*B	44.0 inches (1118.3 mm)	25.4 inches (644.1 mm)	1.0 inches (25.7 mm)	26.8 inches (681.7 mm)	27.8 inches (706.7 mm)	8.8 inches (224.0 mm)	49.5 inches	25.4 lbs (11.5 kg)	26.0 lbs (11.8 kg)
QN55Q6*B	48.5 inches (1232.1 mm)	27.9 inches (708.3 mm)	1.0 inches (25.7 mm)	29.4 inches (745.9 mm)	30.4 inches (770.9 mm)	8.8 inches (224.0 mm)	54.6 inches	34.2 lbs (15.5 kg)	34.8 lbs (15.8 kg)
QN60Q6*B	53.3 inches (1353.0 mm)	30.6 inches (776.3 mm)	1.0 inches (25.7 mm)	32.2 inches (817.4 mm)	33.2 inches (842.4 mm)	10.8 inches (274.0 mm)	60.1 inches	41.0 lbs (18.6 kg)	41.9 lbs (19.0 kg)
QN65Q6*B	57.1 inches (1450.9 mm)	32.7 inches (831.4 mm)	1.0 inches (25.7 mm)	34.3 inches (872.2 mm)	35.3 inches (897.2 mm)	10.8 inches (274.0 mm)	64.5 inches	46.1 lbs (20.9 kg)	47.0 lbs (21.3 kg)
QN70Q6*B	61.4 inches (1559.7 mm)	35.5 inches (902.1 mm)	1.0 inches (26.6 mm)	37.0 inches (939.6 mm)	38.0 inches (964.6 mm)	12.6 inches (320.0 mm)	69.5 inches	62.8 lbs (28.5 kg)	64.2 lbs (29.1 kg)

*: 0-9, A-Z



	VESA A x B (mm)	C (mm)	D	E x 4	F (mm)	G (inches)	H (inches)	I (inches)
QN43Q6*B	200 x 200	11-13	C + *	M8	1.25	7.6	15.1	6.6
QN50Q6*B						8.2	18.1	9.3
QN55Q6*B						9.4	20.3	10.6
QN60Q6*B	400 x 300	11-13	C + *	M8	1.25	8.2	18.8	10.5
QN65Q6*B						10.4	20.7	10.5
QN70Q6*B						9.6	22.8	14.1

*: 0-9, A-Z

*: Wall-Mount Bracket

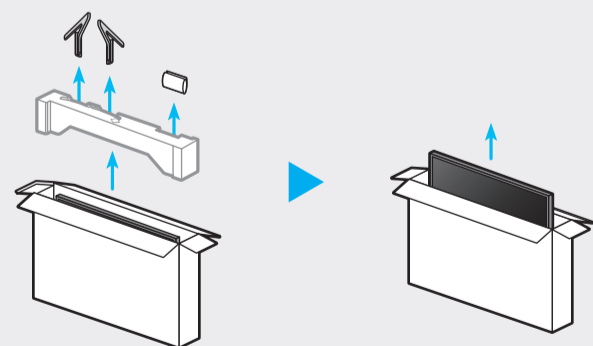
SAMSUNG

Quick Setup Guide (Unpacking and Installation Guide)

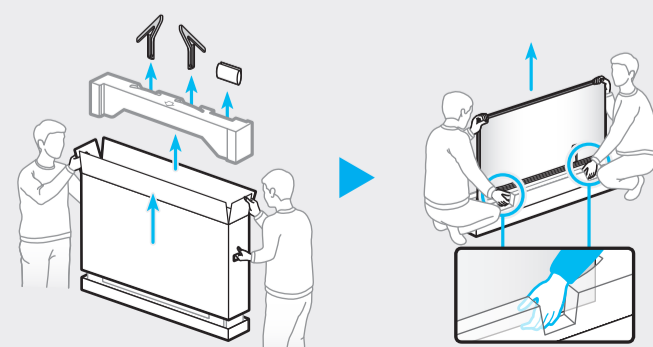


Scan this QR code with your smart phone to see helpful videos.

43"
-
50"

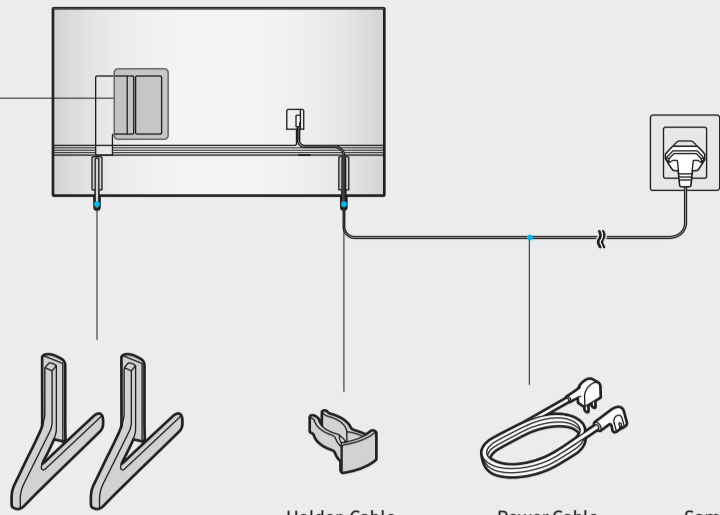


55"
-
70"



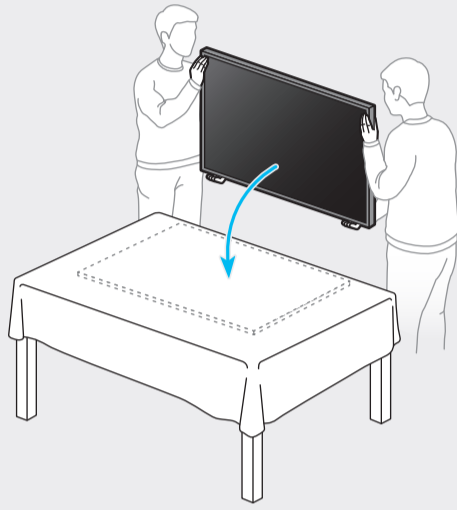


	USB	USB ↔
	OPTICAL	
	ARC	HDMI (eARC)
	HDMI	HDMI
	LAN	
	ANT	ANT

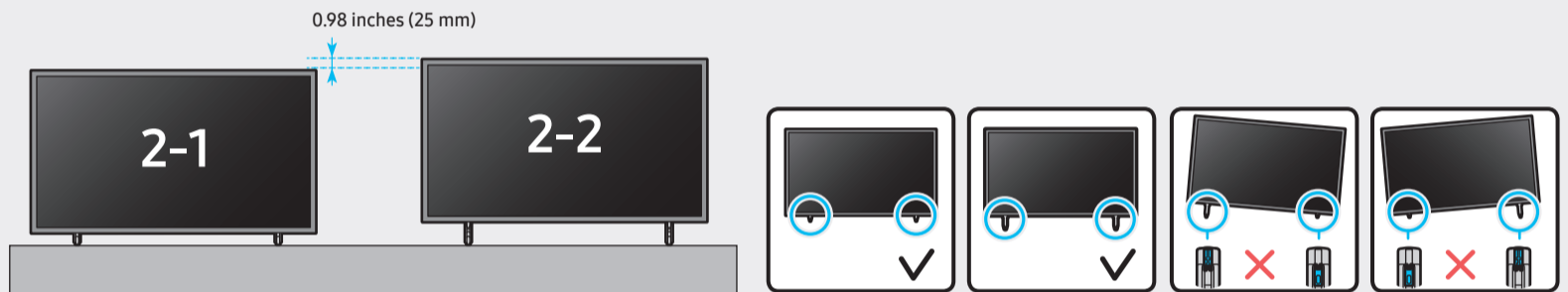
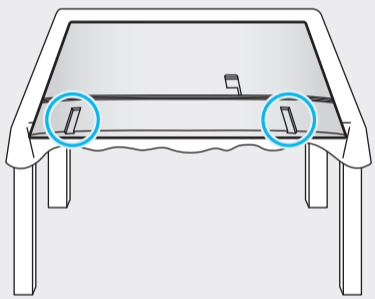


Holder-Cable Power Cable Samsung Smart Remote User Manual / Regulatory Guide

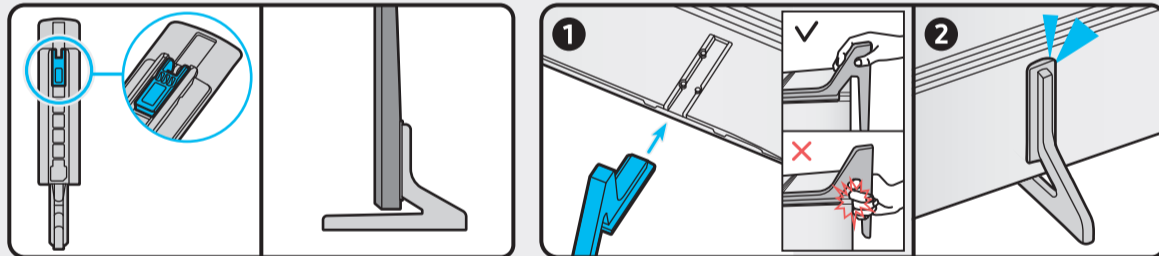
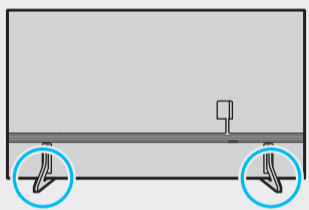
1



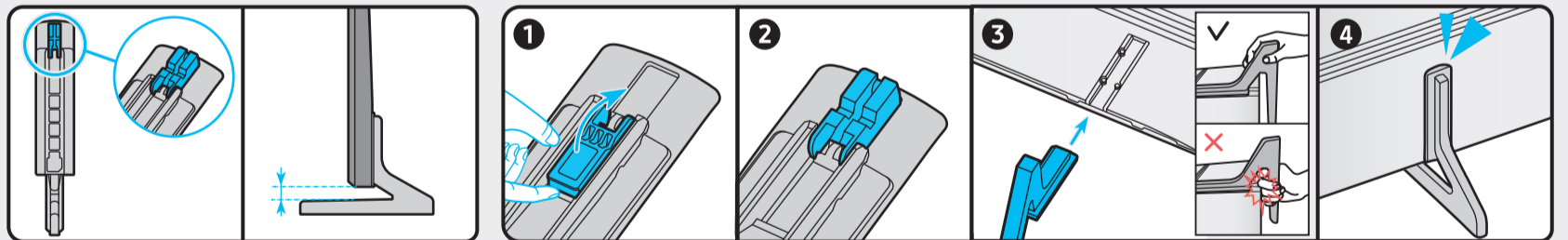
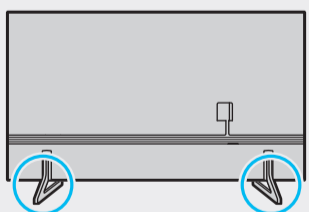
2



2-1



2-2



3

