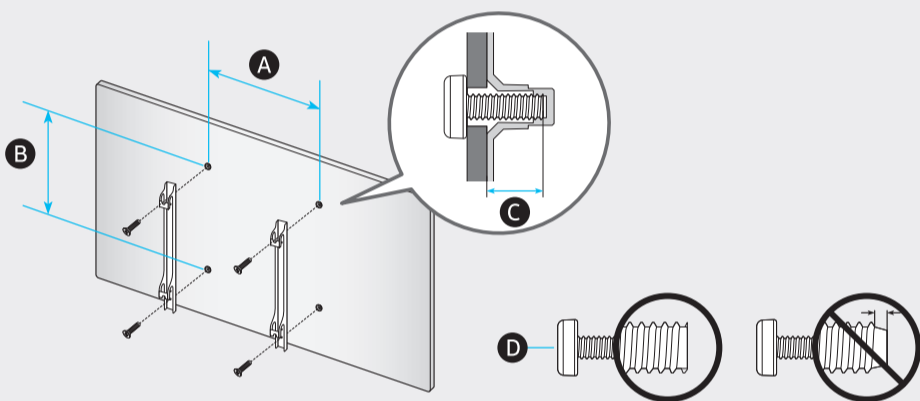


|                      | A   | B                                       | C                                    | D   | E                                       | F                       | G                     | H                     |
|----------------------|---|---|--------------------------------------|---|---|-------------------------|-----------------------|-----------------------|
| 58AU7***<br>58UA7*** | 50.8 inches<br>(1291.0 mm)<br>(129.10 cm) | 29.5 inches<br>(748.6 mm)<br>(74.86 cm) | 2.4 inches<br>(59.9 mm)<br>(5.99 cm) | 32.5 inches<br>(824.3 mm)<br>(82.43 cm)   | 9.9 inches<br>(250.2 mm)<br>(25.02 cm)  | 57.5 inches<br>(146 cm) | 33.5 lbs<br>(15.2 kg) | 34.0 lbs<br>(15.4 kg) |
| 65AU7***<br>65UA7*** | 57.1 inches<br>(1449.4 mm)<br>(144.94 cm) | 32.7 inches<br>(830.3 mm)<br>(83.03 cm) | 2.4 inches<br>(59.9 mm)<br>(5.99 cm) | 35.7 inches<br>(906.6 mm)<br>(90.66 cm)   | 11.1 inches<br>(282.1 mm)<br>(28.21 cm) | 64.5 inches<br>(163 cm) | 45.4 lbs<br>(20.6 kg) | 46.1 lbs<br>(20.9 kg) |
| 70AU7***<br>70UA7*** | 61.3 inches<br>(1556.2 mm)<br>(155.62 cm) | 35.4 inches<br>(899.3 mm)<br>(89.93 cm) | 2.4 inches<br>(60.5 mm)<br>(6.05 cm) | 38.9 inches<br>(988.1 mm)<br>(98.81 cm)   | 13.4 inches<br>(341.1 mm)<br>(34.11 cm) | 69.5 inches<br>(176 cm) | 53.7 lbs<br>(24.8 kg) | 55.8 lbs<br>(25.3 kg) |
| 75AU7***<br>75UA7*** | 65.9 inches<br>(1673.2 mm)<br>(167.32 cm) | 37.7 inches<br>(958.2 mm)<br>(95.82 cm) | 2.4 inches<br>(59.9 mm)<br>(5.99 cm) | 41.3 inches<br>(1047.9 mm)<br>(104.79 cm) | 13.4 inches<br>(341.1 mm)<br>(34.11 cm) | 74.5 inches<br>(189 cm) | 67.0 lbs<br>(30.4 kg) | 67.9 lbs<br>(30.8 kg) |

\*: 0-9, A-Z

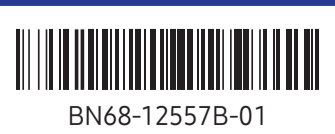


|                      | VESA A x B (mm) | C (mm) | D x 4 |
|----------------------|-----------------|--------|-------|
| 58AU7***<br>58UA7*** | 400 x 300       | 20-22  | M8    |
| 65AU7***<br>65UA7*** |                 |        |       |
| 70AU7***<br>70UA7*** |                 |        |       |
| 75AU7***<br>75UA7*** | 400 x 400       |        |       |

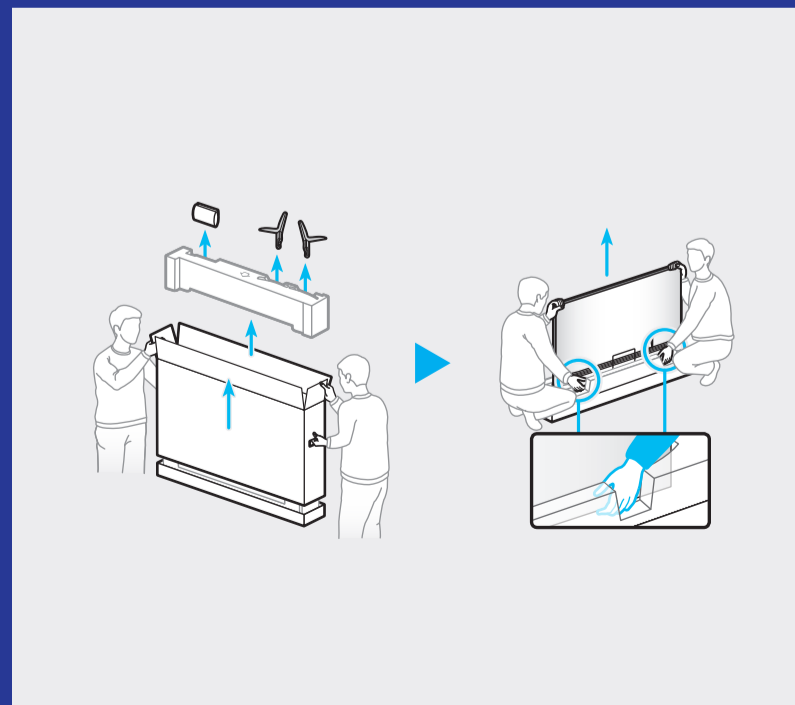
\*: 0-9, A-Z

# SAMSUNG

QUICK SETUP GUIDE  
 GUIDE D'INSTALLATION RAPIDE  
 GUÍA RÁPIDA DE CONFIGURACIÓN  
 GUIA RÁPIDO DE INSTALAÇÃO  
 KURZANLEITUNG ZUR KONFIGURATION  
 GUIDA DI INSTALLAZIONE RAPIDA

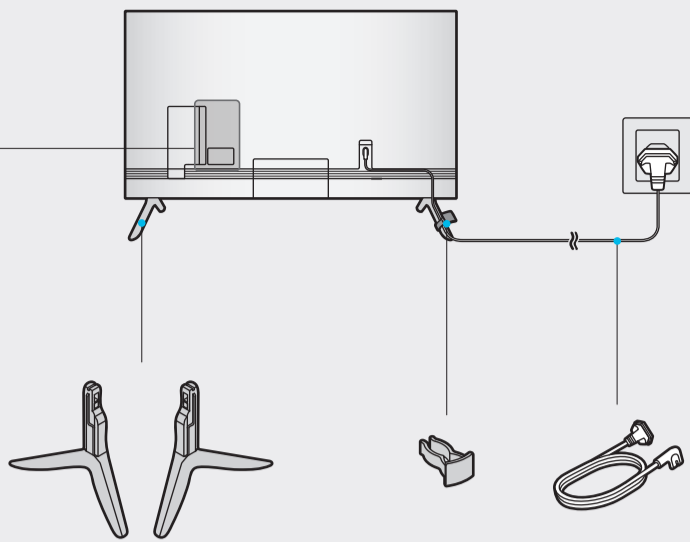


BN68-12557B-01

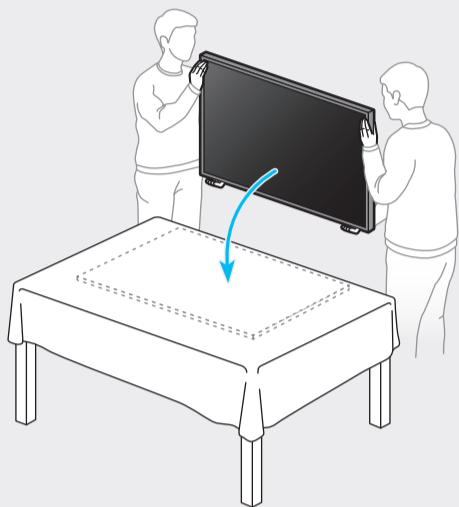




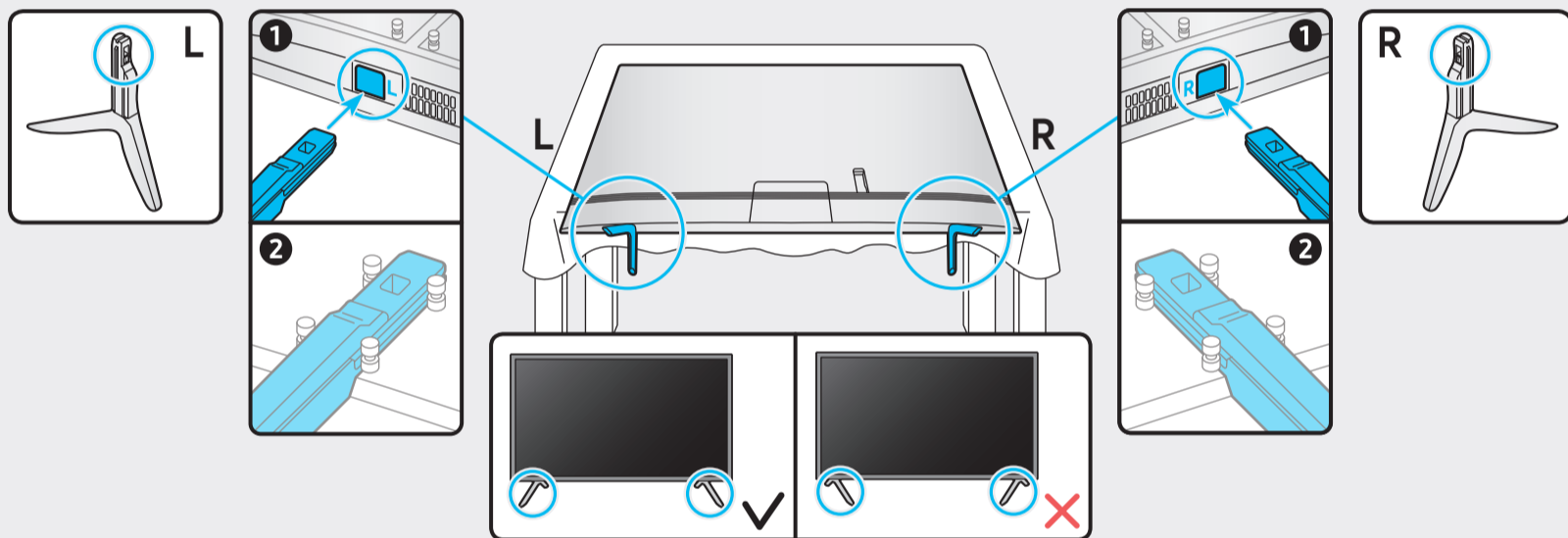
|  |  |             |
|--|--|-------------|
|  |  | USB ↔       |
|  |  | Ⓞ ↗         |
|  |  | HDMI (eARC) |
|  |  | HDMI        |
|  |  | LAN         |
|  |  | ANT         |



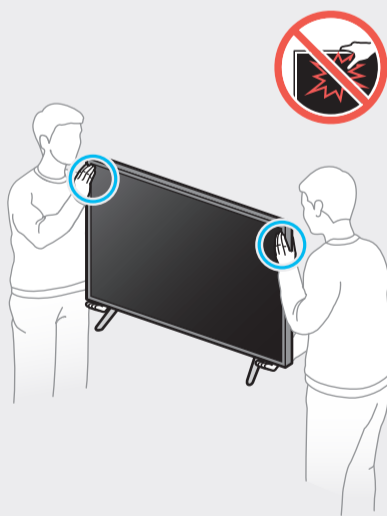
1



2



3



4

