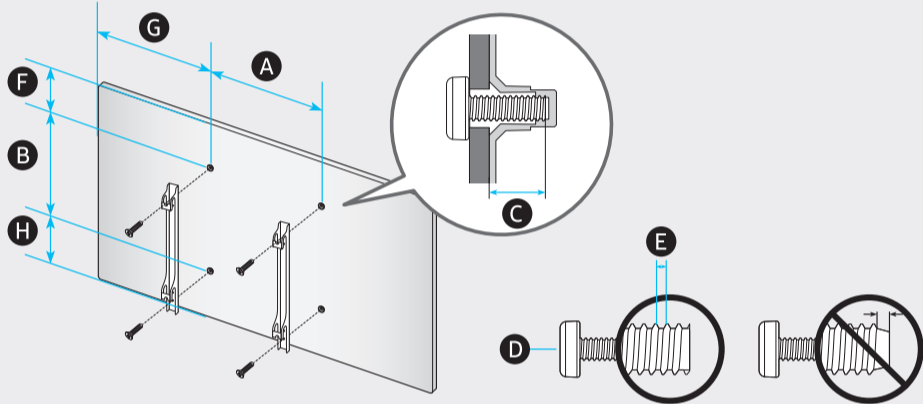


	A	B	C	D	E	F	G	H
QN55QN8*A	48.3 inches (1227.4 mm)	27.8 inches (706.2 mm)	1.1 inches (26.9 mm)	30.2 inches (767.8 mm)	10.1 inches (257.5 mm)	54.6 inches	39.0 lbs (17.7 kg)	45.9 lbs (20.8 kg)
QN65QN8*A	56.9 inches (1446.3 mm)	32.6 inches (829.3 mm)	1.1 inches (26.9 mm)	35.1 inches (891.1 mm)	11.4 inches (290.0 mm)	64.5 inches	53.4 lbs (24.2 kg)	62.0 lbs (28.1 kg)

\*: 0-9, A-Z



	VESA A x B (mm)	C (mm)	D x 4	E (mm)	F (inches)	G (inches)	H (inches)
QN55QN8*A	200 x 200	11-13	M8	1.25	9.4	20.2	10.3
QN65QN8*A	400 x 300				8.4	20.5	12.2

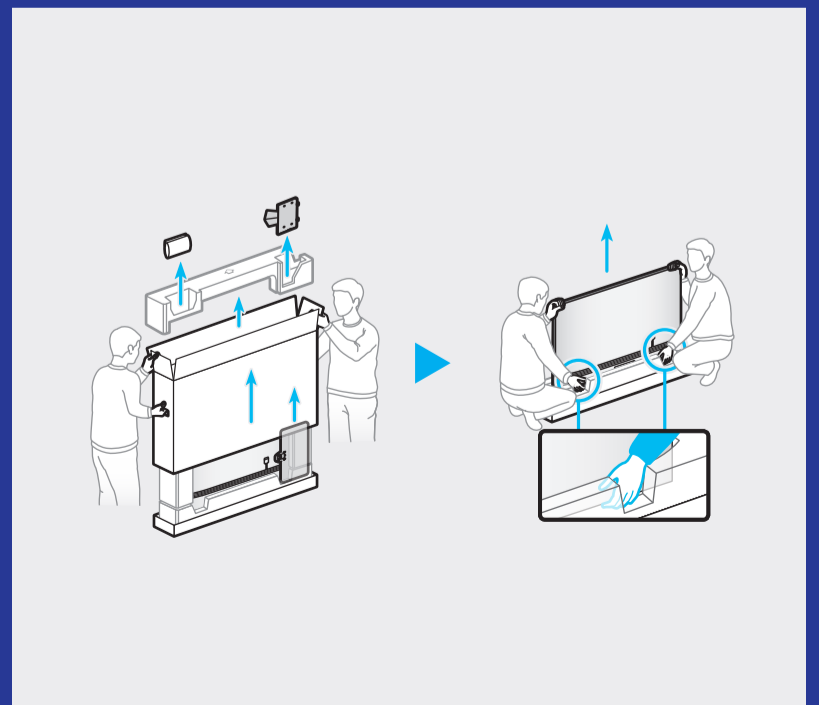
\*: 0-9, A-Z

SAMSUNG

# QUICK SETUP GUIDE

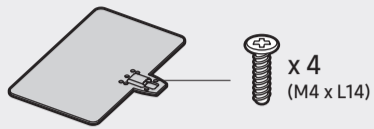
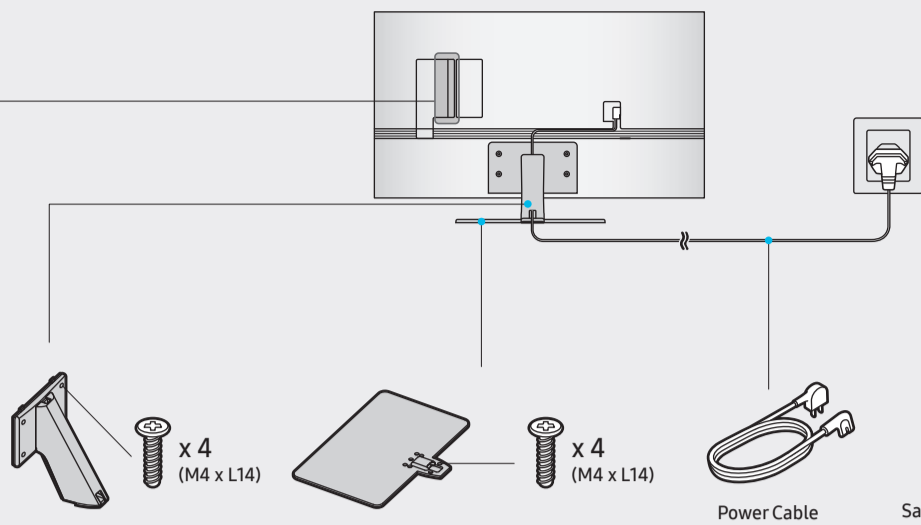


◀ Scan this QR code with your smart phone to see helpful videos.





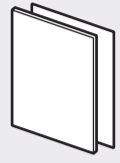
		USB +
		OPTICAL
		HDMI (eARC)
		HDMI
		LAN
		ANT



Power Cable



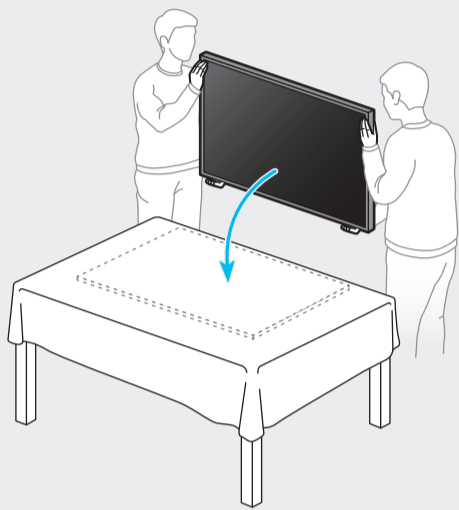
Samsung Smart Remote



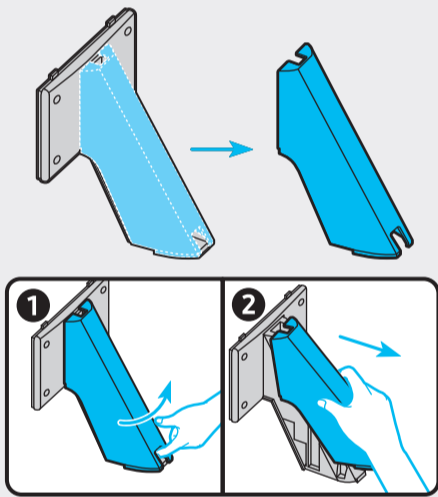
User Manual /  
Regulatory Guide



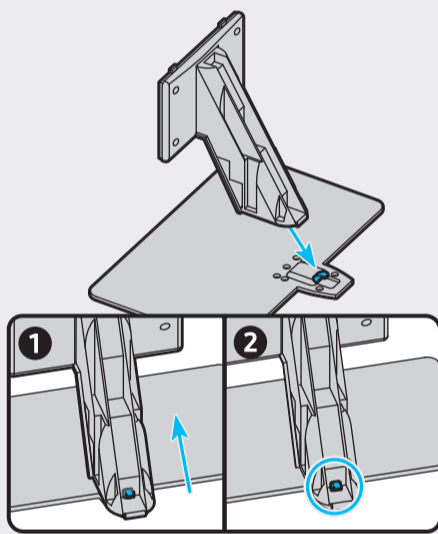
1



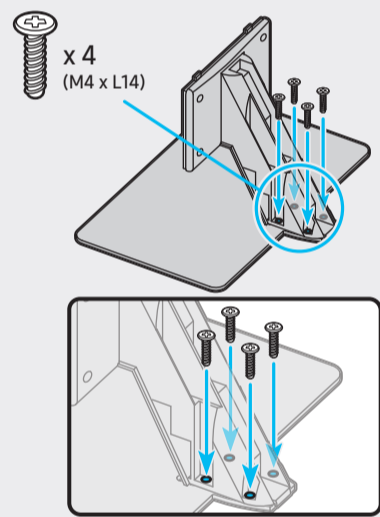
2



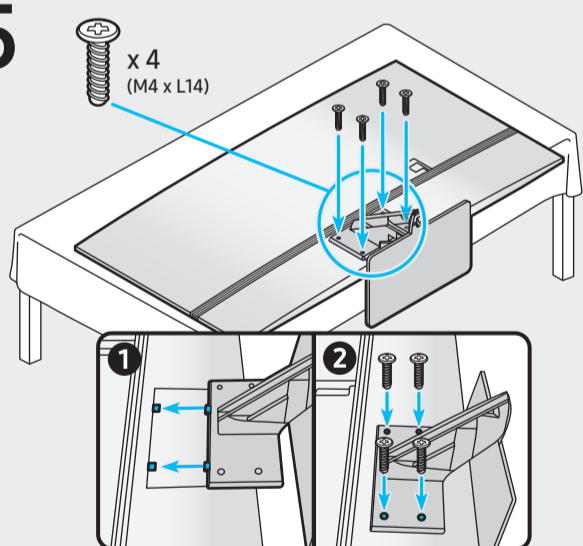
3



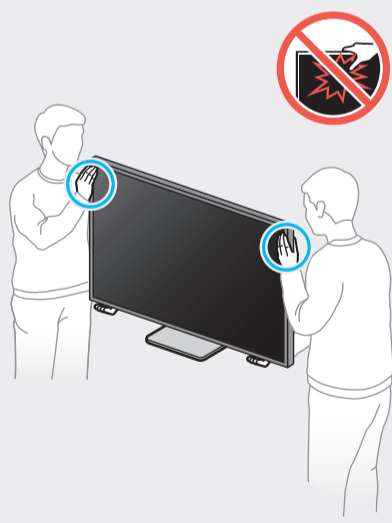
4



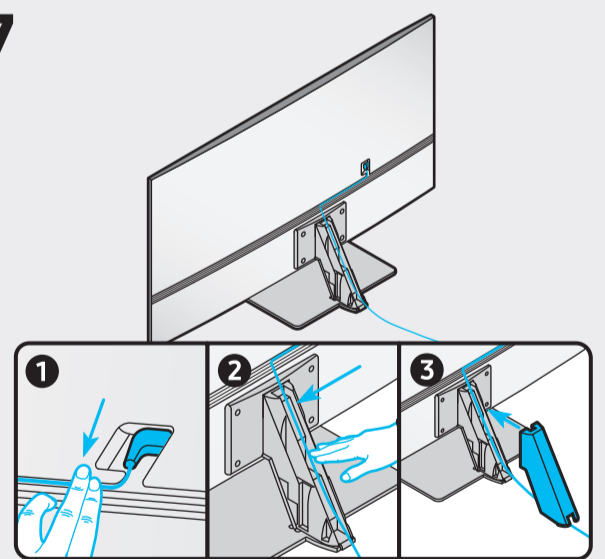
5



6



7



8

