



Premium At-Home, In-Room Entertainment for Every Guest



477 Series Hospitality TVs

Affordable Direct-Lit LED LCD TVs

With the Samsung 477 Series Hospitality TVs, the leading LED panel manufacturer in the world allows you to deliver a premium experience to your guests, while still being budget-conscious. The 477 Series features direct-lit LED technology, to deliver all the benefits of LED, while doing it more affordably. You get big, bright, beautiful pictures, while cost of entry is similar to that of a traditional CCFL back-lit option. LED uses up to 50% less energy, too, helping you conserve and save money. Content management is made simple with the Samsung REACH 3.1 management solution. Samsung's LYNK™ DRM technology protects content, while offering guests a seamless viewing experience. It's the platform that delivers an at-home, in-room experience. And it's from Samsung.

Key Features

Direct-Lit LED Technology

Direct-lit LED technology provides the brilliance and energy savings advantages of LED technology, along with the uniform brightness typical of CCFL displays. And it does it all with an efficiency that makes it a more affordable technology. In fact, it's possible to upgrade your rooms to LED technology for a cost comparable to CCFL technology.

Samsung LYNK™ HD Content Decryption DRM

Samsung's software-based DRM technology is integrated into the entire Samsung 2015 Hotel TV line. Samsung LYNK™ offers a robust solution to unlock premium HDTV content from content providers such as cable, satellite and VOD providers, with maximum efficiency and security.

Pro:Idiom™ HD Content Decryption DRM

The 477 Series is equipped with Pro:Idiom™ MPEG4 technology, making the TVs compatible with most major VOD/PPV systems. You can offer your guests premium HDTV content from cable, satellite or video-on-demand services with no optional cards or external box needed.

Samsung LYNK™ REACH 3.1 Content Management Solution

The Samsung REACH 3.1 (Remote Enhanced Active Control for Hotels) Management Solution is used in conjunction with an existing coaxial-based infrastructure. It provides centralized TV controls, basic static content management capabilities and an Interactive Program Guide (IPG). Property management will be able to easily update and change information using a Windows®-based system.

A Host of Features

Features include: Home Menu, RJ12 IR PASS, Volume Limiters, Rear Panel Lock-out, Menu Display Lock-out, Hotel Custom Logo/Welcome Message, Channel List Guide, Channel Re-mapping, Remote Jack Pack (RJP) Priority, USB Cloning and Anti-Theft Battery Cover Remote Control. Display pedestal stand rotates 90° in both directions with optional 20, 60 and 90 degree stops integrated in lockdown mount base.

HOSPITALITY TV SALES:

1-888-727-2664 | 1-866-SAM4BIZ

samsung.com/business

samsung.com/b2bhospitalitytvs

FOLLOW US:

youtube.com/samsungbizusa

[@SamsungBizUSA](https://twitter.com/SamsungBizUSA)

Samsung 477 Series Hospitality TVs

Samsung Hospitality TVs are loaded with features that provide premier guest satisfaction, while making your job easier.

HOSPITALITY FEATURES

Hotel Mode Plug & Play

Interactive and Stand Alone.

USB Cloning

A quick and easy way to copy the ideal settings of television to others on the property. Saves time and helps provide a consistent viewing experience for all televisions.

Hotel Channel List

Guest master channel listing of program content. This will display content in analog or HD.

Hotel TV (RJ-12/IR Pass Through)

Connecting Interactive STB/SBD (Set Top/Back Box)

Hotel Logo Display with Time Out Setting

Display hotel logo bitmap files as a greeting startup display.

Lockout Controls

The hotelier can enable front panel and menu display lock-outs.

Samsung LYNK™ REACH 3.1 Content Management Solution

The Samsung LYNK™ REACH 3.1 (Remote Enhanced Active Control for Hotels) Management Solution is used in conjunction with an existing coaxial-based infrastructure. It provides centralized TV controls, basic static content management capabilities and an Interactive Program Guide (IPG). Samsung REACH 3.1 delivers, in a free-to-guest solution, content and information on such topics as your hotel, local and in-room dining, spa and exercise facilities, meetings and events, local attractions, and other simple guest convenience features. Property managers will be able to easily update and change information using a Windows®-based system.

Power On Status Setting

Power always on, last option or standby.

Anti-Theft Battery Cover

Battery door is secured helping to always keep batteries in the remote controller.

Auto Channel Search

Auto detect channel while in hotel mode.

Multi-code Remote

Eliminates interference when two or more TVs are used in close proximity.

Samsung LYNK™ HD Content Decryption DRM

Samsung's software-based DRM technology is integrated into the entire Samsung 2015 Hotel TV line. Samsung LYNK™ offers highly reliable access to unlock premium HDTV content from content providers such as cable, satellite and VOD providers. Samsung's advanced LYNK™ DRM helps eliminate tampering HD premium content without disruptive service to the hotel guest.

Pro:Idiom™ HD Content Decryption DRM

Pro:Idiom is a registered trademark of the Zenith Corporation. May be used as an alternative DRM solution on some models.

Sleep Timer

Set TV turn-off time in 30-minute intervals up to 180 minutes.

Closed Captioning

A text display of all audio content including spoken dialog and non-speech information such as the identity of the speakers and symbols for sound effects and music.

On Screen Display Language

English/French/Spanish

Picture-in-Picture

Display one program while another is being displayed on the full TV screen at the same time.

Clock On Timer and Alarm Key

This allows the guest to program the TV to turn on as a wake-up alarm.

CONNECTIONS

Anynet + (HDMI – CEC)

Samsung protocol that allows the user to control other HDMI devices connected to the TV display. Examples of these devices are DVD and Soundbars.

ConnectShare™ (USB 2.0)

Connect a thumb drive or digital camera quickly and easily. User-friendly interface allows access to videos, a music playlist and pictures via the remote.

Interactive Compatibility System



Remote Jack Panel (RJP) Compatibility



PICTURE QUALITY AND AUDIO

Auto Volume Limiter

During initial product setup, minimum and maximum volume levels can be locked to help minimize disturbance to other hotel guests.

Music Mode (Input: HDMI/PC/AV/Component)

When picture is muted, allows audio feedback.

Music Mode Backlight On/Off

Background Display

Swivel Stand with Optional Stops

Samsung Hospitality Displays pedestal stand rotates 90 degrees in both directions with optional 20-, 60- and 90-degree stops so wherever in the room your guests are they should have an excellent view of their TV. Swivel stand includes integrated mounting plate and bolt down kit (4 bolts, 2 nuts, 2 washers).

Samsung Soundbar Compatible

Samsung Hospitality Displays enable Soundbar compatibility by supporting HDMI-CEC. When you connect the Soundbar to the Samsung Hospitality Display with an HDMI cable, the TV audio settings and menu lock feature are automatically applied, so you don't have to set up the Soundbar separately. You can also prevent guests from changing the settings. With one single remote, guests can control both the TV and Soundbar simultaneously.

WARRANTY

2-year parts and 2-year labor warranty backed by Samsung Hospitality Hotline 1-866-894-0524. Optional professional installation, accessories and extended warranty are available.

Samsung 477 Series Hospitality TVs



DIGITAL RIGHTS MANAGEMENT (DRM)

Pro:Idiom™ HD Content Decryption DRM (RF) Pro:Idiom

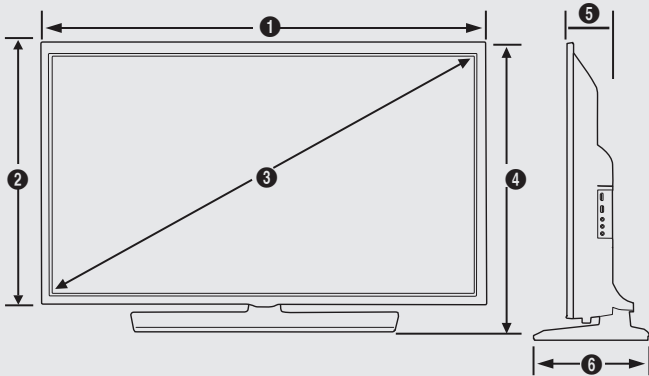
The 477 Series is equipped with Pro:Idiom™ MPEG4 technology, making the TVs compatible with most major VOD/PPV systems. You can offer your guests premium HDTV content from cable, satellite or video-on-demand services with no optional cards or external box needed.

Samsung LYNK™ HD Content Decryption DRM (RF)



Samsung's software-based DRM technology is integrated into the entire Samsung 2015 Hotel TV line. Samsung LYNK™ offers a robust solution to unlock premium HDTV content from content providers such as cable, satellite and VOD providers, with maximum efficiency and security.

Dimensions



32" | HG32ND477GF - 720p Contrast Ratio

1	2	3	4	5	6
29.1"	17.5"	32.0"	19.6"	3.7"	7.5"

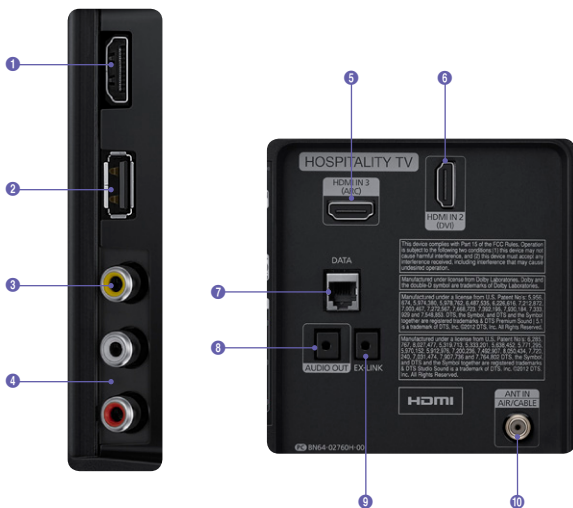
40" | HG40ND477BF - 1080p Contrast Ratio

1	2	3	4	5	6
35.6"	20.7"	40.0"	22.1"	3.6"	8.9"

Connectivity

HG32ND477GF / HG40ND477BF

- HDMI In 1
- USB/Cloning
- AV In Video
- Audio
- HDMI In 3 (ARC)
- HDMI In 2 (DVI)
- Data
- Audio Out
- Ex-Link
- Ant In Air/Cable



Samsung 477 Series Hospitality TVs Key Specifications For complete product specifications, visit samsung.com/b2bhospitalitytvs

	Model Number	HG32ND477GF	HG40ND477BF
Display	Backlight	LED	LED
	Screen Size (Diagonal)	32	40
	HD/FHD/UHD	HD	FHD
	Resolution	1366 x 768	1920 x 1080
Video	Picture Engine	HyperReal	HyperReal
	Wide Color Enhancer Plus	Yes	Yes
	Film Mode	Yes	Yes
Audio	Dolby Digital Plus	Yes	Yes
	Virtual Surround	DTS Studio Sound	DTS Studio Sound
	DTS Codec	DTS Premium Sound	DTS Premium Sound
	Sound Output (RMS)	10W (L:5W, R:5W)	20W (L:10W, R:10W)
	Speaker Type	2CH (Down Firing + Bass Reflex)	2CH (Down Firing + Bass Reflex)
Features	Digital Clean View	Yes	Yes
	Auto Channel Search	Yes	Yes
	Auto Power Off	Yes	Yes
	Caption (Subtitle)	Yes	Yes
	ConnectShare™ (USB 2.0)	Yes	Yes
	Sports Mode	Yes	Yes
	Channel List	Yes	Yes
	Game Mode	Yes	Yes
	OSD Language	English, Spanish, French	English, Spanish, French
	Picture-In-Picture	Yes	Yes
Hospitality Features	Samsung LYNK™ REACH Server Compatibility	Yes	Yes
	Hospitality Home Menu	Yes	Yes
	Hospitality Plug&Play (Easy Set-up)	Yes	Yes
	Auto Source Mode	Yes	Yes
	Power On Mode	Yes	Yes
	Hotel Channel List	Yes	Yes
	Channel Setup On/Off	Yes	Yes
	Mixed Channel List (ATSC, DVB-T/T2/C/S2, Analog)	Yes	Yes
	Energy Saving Mode (BLU Control)	Yes	Yes
	Logo Display with Time Out Setting (BMP/Movie)	Yes	Yes
	Welcome Message	Yes	Yes
	RJ12 / IR Pass Through	Yes	Yes
	Clock Back Up Power Supply	Yes	Yes
	Software Clock	Yes	Yes
	Multi Code Remote Control	Yes	Yes
	Screwed Battery Cover	Yes	Yes
	Sound Bar Compatibility	Yes	Yes
	Music Mode (Input: PC/AV/Component/HDMI)	Yes	Yes
	Music Mode Backlight On/Off	Yes	Yes
	USB Cloning	Yes	Yes
	Smovie Compatibility	Yes	Yes
	On/Off Timer (Schedule)	Yes	Yes
Wake-up Timer (Alarm)	Yes	Yes	
Samsung LYNK™ DRM	Yes	Yes	
Pro:Idiom	Yes	Yes	
Security Mode	Yes	Yes	
S/W IPG (Interactive Program Guide)	Yes	Yes	
Standby LED Color	Red	Red	
Input & Output	HDMI (Side/Rear)	1/2	1/2
	USB (Side/Rear)	1/0	1/0
	Composite In (AV) (Side/Rear)	1/0	1/0
	Audio Out (Mini Jack) (Side/Rear)	0/1	0/1
	RF In (Terrestrial/Cable Input) (Side/Rear)	0/1	0/1
	RS232C	Yes (Common Use for RJ12)	Yes (Common Use for RJ12)
	RJ12 (Side/Rear)	0/1	0/1
	RJP Jack (Remote Jack Pack) (Side/Rear)	0/1	0/1
System	DTV Tuner	ASTC/Clear QAM	ASTC/Clear QAM
	Analog Tuner	Yes	Yes
Design	Front Color	Black	Black
	Stand Type	Square	Square
	Swivel (Left/Right)	90/90	90/90
Dimensions (W x H x D)	Set Dimension with Stand (WxHxD) (mm) / (inches)	738.4 x 497.7 x 191.7 / 29.1" x 19.6" x 7.5"	905.2 x 562.3 x 226.5 / 35.6" x 22.1" x 8.9"
	Set Dimension without Stand - Wall Mount Side (WxHxD) (mm) / (inches)	738.4 x 444.0 x 93.2 / 29.1" x 17.5" x 3.7"	905.2 x 525.4 x 91.1 / 35.6" x 20.7" x 3.6"
	Set Dimension without Stand - Speaker Side (WxHxD) (mm) / (inches)	738.4 x 444.0 x 93.2 / 29.1" x 17.5" x 3.7"	905.2 x 525.4 x 91.1 / 35.6" x 20.7" x 3.7"
Weight	Set Weight with Stand (kg) / (lbs)	6 / 13.2	7.1 / 15.6
	Set Weight without Stand (kg) / (lbs)	5.4 / 11.9	6.4 / 14.1
	Package Weight (kg) / (lbs)	7.7 / 16.9	9.4 / 20.7
Power	Power Supply (V) / Multi Voltage	AC110-120V 60Hz / Yes	AC110-120V 60Hz / Yes
Accessory	Remote Controller Model	TM1240	TM1240
	Battery (for Remote Control)	Yes	Yes
	Vesa Wall Mount Support (mm)	200 x 200	200 x 200
	Power Cable	Yes	Yes
	Quick Install Guide	Yes	Yes
	Data Cable	Yes	Yes
	Stand Mount Kit	Yes	Yes
	Security Screws	Yes	Yes



For complete product information and accessories, visit samsung.com/business or samsung.com/b2bhospitalitytvs

Product Support: 1-866-SAM4BIZ | Follow Us: [youtube.com/samsungbizusa](https://www.youtube.com/samsungbizusa) | @SamsungBizUSA

SAMSUNG ELECTRONICS HAS BEEN NAMED 2015 ENERGY STAR PARTNER OF THE YEAR IN THE PRODUCT MANUFACTURING CATEGORY BY THE U.S. ENVIRONMENTAL PROTECTION AGENCY (EPA).



©2015 Samsung Electronics America, Inc. Samsung is a registered mark of Samsung Electronics Corp., Ltd. Specifications and designs are subject to change without notice. Non-metric weights and measurements are approximate. All other brand, product, service names and logos are trademarks and/or registered trademarks of their respective manufacturers and companies. Simulated screen images. See samsung.com for detailed information. Printed in USA. HOSTV-477SERIESB2BDSHT-JUL15T