

# SET-UP GUIDE



**Unpack**





40" ~ 55"  
M4 X L14 (8EA)



60" ~ 75"  
M4 X L14 (9EA)







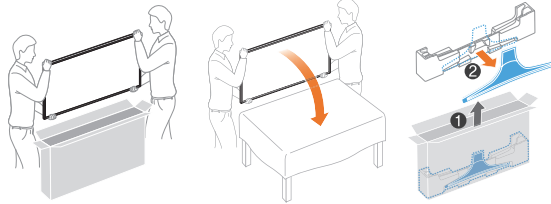
• Regulatory Guide



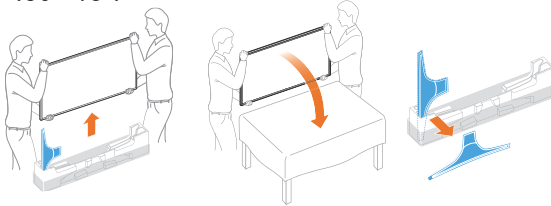
**Assemble**

1

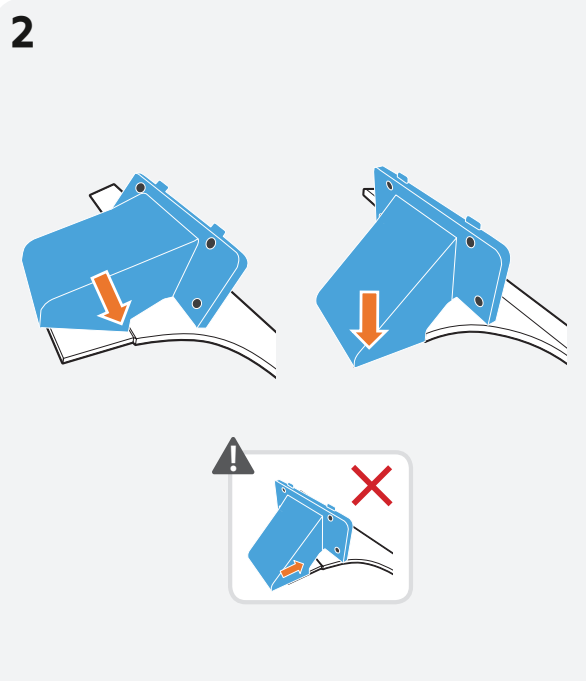
<40" ~55">



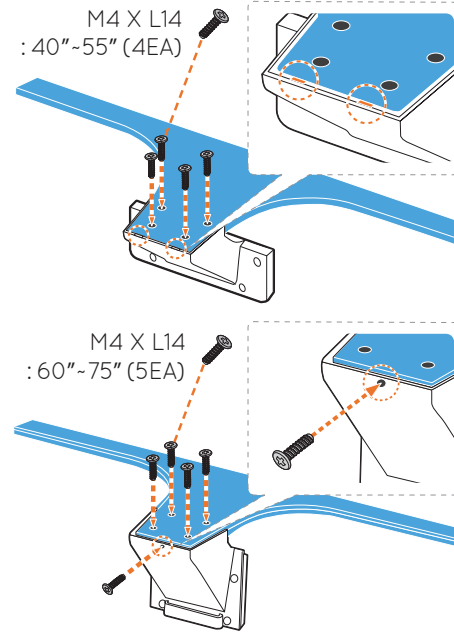
<60" ~75">



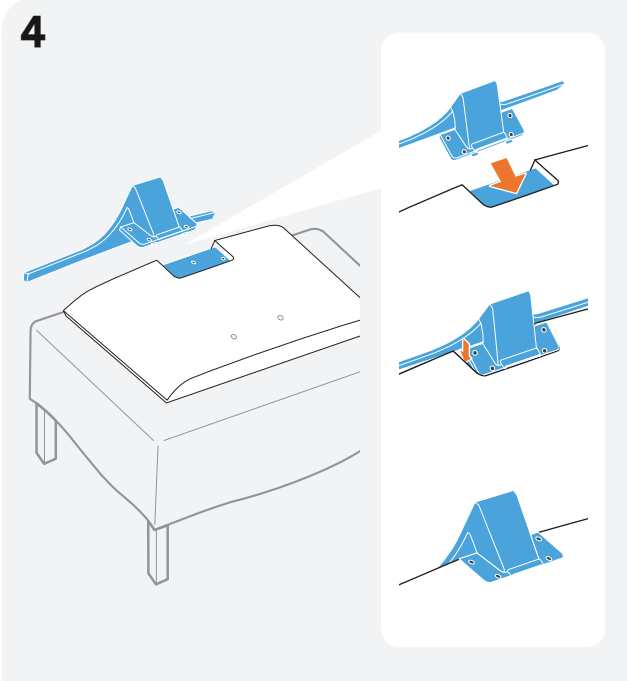
2



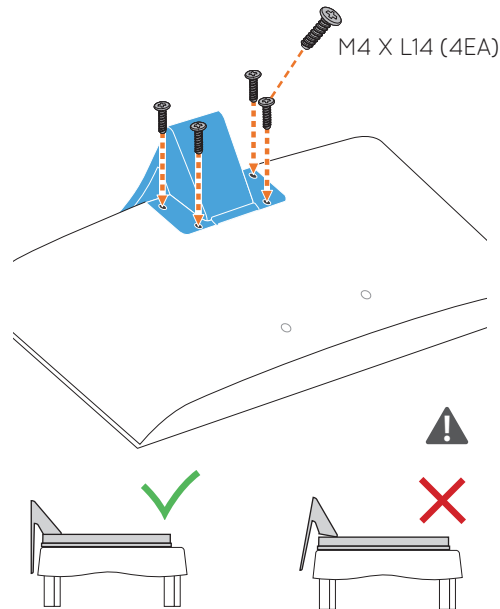
3



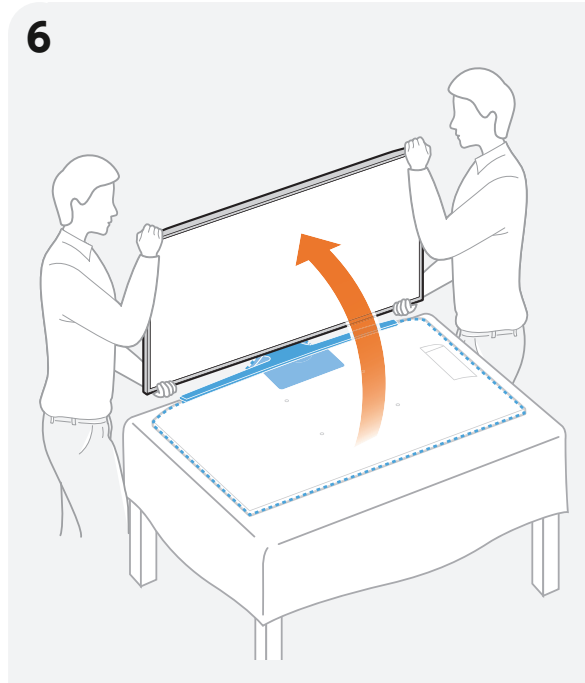
4



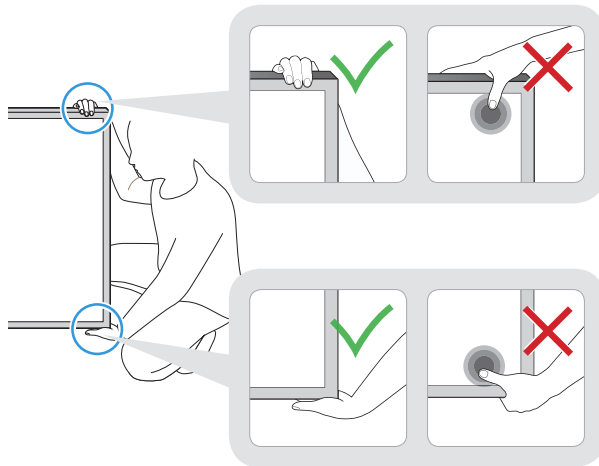
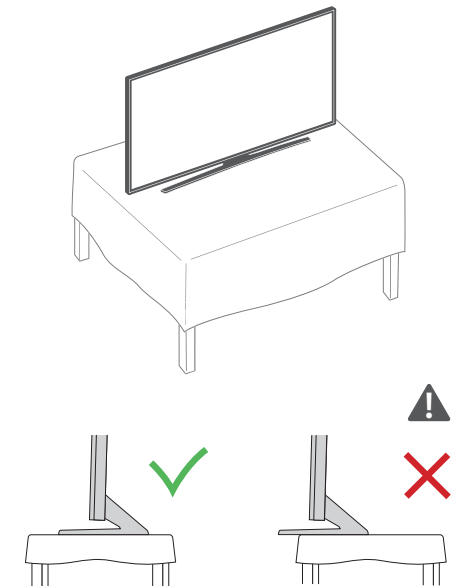
5



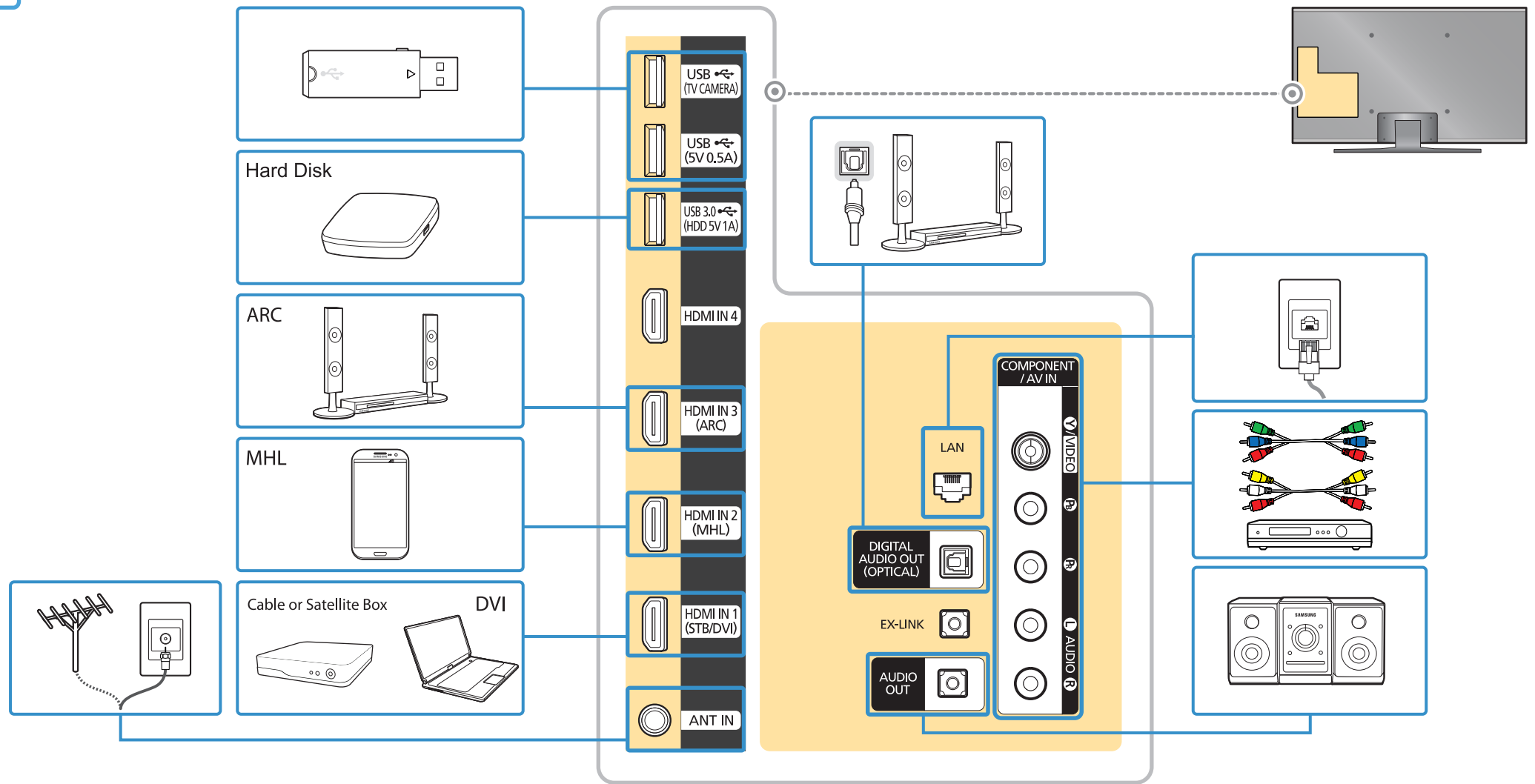
6



7



# Connect



# Initial Setup

