

# **SALORA**

**GEBRUIKSAANWIJZING  
BEDIENUNGSANLEITUNG  
OPERATING INSTRUCTIONS  
MODE D'EMPLOI**

**24LED9109CTS2DVD**

**KLEURENTELEVISIE MET AFSTANDBEDIENING  
FARBFERNSEHGERÄT MIT FERNBEDIENUNG  
COLOUR TELEVISION WITH REMOTE CONTROL  
TELEVISEUR COULEUR A TELECOMMANDE**

CE





50432048

## Contents

Safety Information .....	60
Markings on the Product.....	60
Environmental Information.....	61
Features .....	62
Accessories Included.....	62
Standby Notifications.....	62
TV Control Switch & Operation.....	62
Inserting the Batteries into the Remote .....	63
Connect Power .....	63
Antenna Connection.....	63
License Notification .....	63
Specification .....	64
Remote Control .....	65
Connections.....	66
Switching On/Off.....	67
First Time Installation.....	67
Media Playback via USB Input.....	68
Recording a Programme .....	68
Timeshift Recording.....	68
Instant Recording .....	69
Watching Recorded Programmes .....	69
Recording Configuration.....	69
Media Browser Menu.....	69
CEC and CEC RC Passthrough.....	69
TV Menu Contents.....	71
General TV Operation .....	75
Using the Channel List .....	75
Configuring Parental Settings.....	75
Electronic Programme Guide (EPG) .....	75
Teletext Services .....	76
Software Upgrade.....	76
Troubleshooting & Tips.....	76
PC Input Typical Display Modes.....	77
AV and HDMI Signal Compatibility .....	77
Supported File Formats for USB Mode .....	78
Supported DVI Resolutions .....	79
DVD Mode.....	80
Overview of the Remote Control .....	83
General DVD Operation (depending on model) ....	84
Mobil TV Instructions .....	85

## Safety Information

	<b>CAUTION</b> RISK OF ELECTRIC SHOCK DO NOT OPEN	
<b>CAUTION:</b> TO REDUCE THE RISK OF ELECTRIC SHOCK DO NOT REMOVE COVER (OR BACK). NO USER-SERVICEABLE PARTS INSIDE. REFER SERVICING TO QUALIFIED SERVICE PERSONNEL.		

In extreme weather (storms, lightning) and long inactivity periods (going on holiday) disconnect the TV set from the mains.

The mains plug is used to disconnect TV set from the mains and therefore it must remain readily operable. If the TV set is not disconnected electrically from the mains, the device will still draw power for all situations even if the TV is in standby mode or switched off.

**Note:** Follow the on screen instructions for operating the related features.




### IMPORTANT - Please read these instructions fully before installing or operating

**WARNING:** Never let people (including children) with reduced physical, sensory or mental capabilities or lack of experience and / or knowledge use electrical devices unsupervised.

- Use this TV set at an altitude of less than 2000 meters above the sea level, in dry locations and in regions with moderate or tropical climates.
- The TV set is intended for household and similar general use but may also be used in public places.
- For ventilation purposes, leave at least 5cm of free space around the TV.
- The ventilation should not be impeded by covering or blocking the ventilation openings with items, such as newspapers, table-cloths, curtains, etc.
- The power cord plug should be easily accessible. Do not place the TV, furniture, etc. on the power cord. A damaged power cord/plug can cause fire or give you an electric shock. Handle the power cord by the plug, do not unplug the TV by pulling the power cord. Never touch the power cord/plug with wet hands as this could cause a short circuit or electric shock. Never make a knot in the power cord or tie it with other cords. When damaged it must be replaced, this should only be done by qualified personnel.
- Do not expose the TV to dripping or splashing of liquids and do not place objects filled with liquids, such as vases, cups, etc. on or over the TV (e.g., on shelves above the unit).
- Do not expose the TV to direct sunlight or do not place open flames such as lit candles on the top of or near the TV.

- Do not place any heat sources such as electric heaters, radiators, etc. near the TV set.
- Do not place the TV on the floor and inclined surfaces.
- To avoid danger of suffocation, keep plastic bags out of the reach of the babies, children and domestic animals.
- Carefully attach the stand to the TV. If the stand is provided with screws, tighten the screws firmly to prevent the TV from tilting. Do not over-tighten the screws and mount the stand rubbers properly.
- Do not dispose of the batteries in fire or with hazardous or flammable materials.

**Warning:** Batteries must not be exposed to excessive heat such as sunshine, fire or the like.

 Caution	Serious injury or death risk
 Risk of electric shock	Dangerous voltage risk
 Maintenance	Important maintenance component

### Markings on the Product

The following symbols are used on the product as a marker for restrictions and precautions and safety instructions. Each explanation shall be considered where the product bears related marking only. Note such information for security reasons.



**Class II Equipment:** This appliance is designed in such a way that it does not require a safety connection to electrical earth.



**Class II Equipment With Functional Earthing:** This appliance is designed in such a way that it does not require a safety connection to electrical earth, the earth connection is used for functional purposes.



**Protective Earth Connection:** The marked terminal is intended for connection of the protective earthing conductor associated with the supply wiring.



**Hazardous Live Terminal:** The marked terminal(s) is/are hazardous live under normal operating conditions.



**Caution, See Operating Instructions:** The marked area(s) contain(s) user replaceable coin or button cell batteries.



**Class 1 Laser Product:** This product contains Class 1 laser source that is safe under reasonably foreseeable conditions of operation.

## WARNING

Do not ingest the battery, Chemical Burn Hazard  
This product or the accessories supplied with the product may contain a coin/button cell battery. If the coin/button cell battery is swallowed, it can cause severe internal burns in just 2 hours and can lead to death.

Keep new and used batteries away from children.  
If the battery compartment does not close securely, stop using the product and keep it away from children.

If you think batteries might have been swallowed or placed inside any part of the body, seek immediate medical attention.

## WARNING

Never place a television set in unstable or inclined locations. A television set may fall, causing serious personal injury or death. Many injuries, particularly to children, can be avoided by taking simple precautions such as;

- Using cabinets or stands recommended by the manufacturer of the television set.
- Only using furniture that can safely support the television set.
- Ensuring the television set is not overhanging the edge of the supporting furniture.
- Not placing the television set on tall furniture (for example, cupboards or bookcases) without anchoring both the furniture and the television set to a suitable support.
- Not standing the television set on cloth or other materials placed between the television and supporting furniture.
- Educating children about the dangers of climbing on furniture to reach the television set or its controls. If your existing television set is being retained and relocated, the same considerations as above should be applied.

## WALL MOUNTING WARNINGS

- Read the instructions before mounting your TV on the wall.
- The wall mount kit is optional. You can obtain from your local dealer, if not supplied with your TV.
- Do not install the TV on a ceiling or on an inclined wall.
- Use the specified wall mounting screws and other accessories.
- Tighten the wall mounting screws firmly to prevent the TV from fall. Do not over-tighten the screws.

## WARNING

Apparatus connected to the protective earthing of the building installation through the MAINS connection or through other apparatus with a connection to protective earthing – and to a television distribution system using coaxial cable, may in some circumstances create a fire hazard. Connection to a television distribution system has therefore to be provided through a device providing electrical isolation below a certain frequency range (galvanic isolator, see EN 60728-11)

## Environmental Information

This television is designed to be environment friendly. To reduce energy consumption, you can follow these steps:

If you set the **Energy Saving** to **Minimum**, **Medium**, **Maximum** or **Auto** the TV will reduce the energy consumption accordingly. If you like to set the **Backlight** to a fixed value set as **Custom** and adjust the **Backlight** (located under the **Energy Saving** setting) manually using Left or Right buttons on the remote. Set as **Off** to turn this setting off.

*Note: Available **Energy Saving** options may differ depending on the selected **Mode** in the **System>Picture** menu.*

The **Energy Saving** settings can be found in the **System>Picture** menu. Note that some picture settings will be unavailable to be changed.

If pressed **Right** button while **Auto** option is selected or **Left** button while **Custom** option is selected, "**Screen will be off in 15 seconds.**" message will be displayed on the screen. Select **Proceed** and press **OK** to turn the screen off immediately. If you don't press any button, the screen will be off in 15 seconds. Press any button on the remote or on the TV to turn the screen on again.

*Note: **Screen Off** option is not available if the **Mode** is set to **Game**.*

When the TV is not in use, please switch off or disconnect the TV from the mains plug. This will also reduce energy consumption.

## Features

- Remote controlled colour TV
- Fully integrated digital terrestrial/cable/satellite TV (DVB-T2/C/S2)
- HDMI inputs to connect other devices with HDMI sockets
- USB input
- OSD menu system
- Scart socket for external devices (such as DVD Players, PVR, video games, etc.)
- Stereo sound system
- Teletext
- Headphone connection
- Automatic programming system
- Manual tuning
- Automatic power down after up to eight hours.
- Sleep timer
- Child lock
- Automatic sound mute when no transmission.
- NTSC playback
- AVL (Automatic Volume Limiting)
- PLL (Frequency Search)
- PC input
- Game Mode (Optional)
- Picture off function
- Programme recording
- Programme timeshifting

## Accessories Included

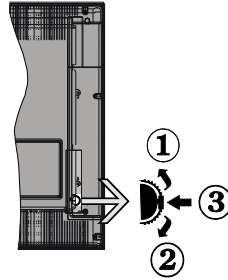
- Remote Control
- Batteries: 2 x AAA
- Instruction Book
- DC 12 V Input Power Adaptor
- Car Plug

## Standby Notifications

If the TV does not receive any input signal (e.g. from an aerial or HDMI source) for 3 minutes, it will go into standby. When you next switch-on, the following message will be displayed: **“TV switched to stand-by mode automatically because there was no signal for a long time.”** Press **OK** to continue.

If the TV is on and it isn't being operated for a while it will go into standby. When you next switch-on, the following message will be displayed. **“TV switched to stand-by mode automatically because no operation was made for a long time.”** Press **OK** to continue.

## TV Control Switch & Operation



1. Up direction
2. Down direction
3. Volume / Info / Sources List selection and Standby-On switch

The Control button allows you to control the Volume/ Programme/Source and Standby-On functions of the TV.

**To change volume:** Increase the volume by pushing the button up. Decrease the volume by pushing the button down.

**To change channel:** Press the middle of the button in, the information banner will appear on the screen. Scroll through the stored channels by pushing the button up or down.

**To change source:** Press the middle of the button in twice (for the second time in total), the source list will appear on the screen. Scroll through the available sources by pushing the button up or down.

**To turn the TV off:** Press the middle of the button in and hold it down for a few seconds, the TV will turn into standby mode.

**To turn on the TV:** Press the middle of the button in, the TV will turn on.

### Notes:

- If you turn the TV off, this circle starts again beginning with the volume setting.
- Main menu OSD cannot be displayed via control buttons.

## Operation with the Remote Control

Press **Menu** button on your remote control to display main menu screen. Use the directional buttons to select a menu tab and press **OK** to enter. Use the directional buttons again to select or set an item. Press **Return/ Back** button or **Menu** button to quit a menu screen.

## Input Selection

Once you have connected external systems to your TV, you can switch to different input sources. Press **Source** button on your remote control consecutively to select the different sources.

## Changing Channels and Volume

You can change the channel and adjust the volume by using the **Volume +/-** and **Programme +/-** buttons on the remote.

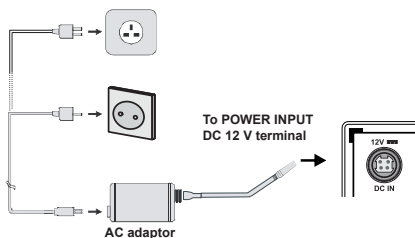
## Inserting the Batteries into the Remote

Remove the back cover to reveal the battery compartment. Insert two size **AAA** batteries. Make sure the (+) and (-) signs match (observe correct polarity). Do not mix old and new batteries. Replace only with same or equivalent type. Place the cover back on.



## Connect Power

**IMPORTANT:** The TV set is designed to operate on **12 V DC**. For this, an adaptor is used which gives **12 V** voltage. Connect this adaptor to a system that supplies **100-240V AC, 50/60Hz**.



## Important safety information

### Be sure to ground the connection properly

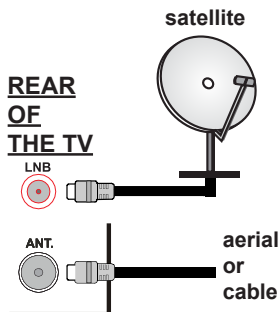
Connect the ground terminal of the AC adaptor with the ground terminal provided at the power outlet using the enclosed power cord. If the provided plug does not fit your outlet, consult an electrician for replacement of the obsolete outlet.



Surely connect the ground wire.

## Antenna Connection

Connect the aerial or cable TV plug to the **AERIAL INPUT (ANT)** socket or satellite plug to the **SATELLITE INPUT (LNB)** socket located on the back of the TV.



## License Notification

The terms HDMI and HDMI High-Definition Multimedia Interface, and the HDMI Logo are trademarks or registered trademarks of HDMI Licensing Administrator, Inc. in the United States and other countries.



Manufactured under license from Dolby Laboratories. Dolby, Dolby Audio and the double-D symbol are trademarks of Dolby Laboratories.

## Information for Users on Disposal of Old Equipment and Batteries

### [European Union only]

Equipment bearing these symbols should not be disposed as general household waste.

You should look for appropriate recycling facilities and systems for the disposal of these products.

**Notice:** The sign Pb below the symbol for batteries indicates that this battery contains lead.



Products

Battery

**Specification**

<b>TV Broadcasting</b>	PAL B/G D/K K I/I'
<b>Receiving Channels</b>	VHF (BAND I/III) - UHF (BAND U) - HYPERBAND
<b>Digital Reception</b>	Fully integrated digital terrestrial-cable-satellite TV(DVB-T-C-S) (DVB-T2, DVB-S2 compliant)
<b>Number of Preset Channels</b>	8 000
<b>Channel Indicator</b>	On Screen Display
<b>RF Aerial Input</b>	75 Ohm (unbalanced)
<b>Operating Voltage</b>	100-240V AC, 50Hz.
<b>Audio</b>	German+Nicam Stereo
<b>Audio Output Power (WRMS.) (10% THD)</b>	2 x 2,5
<b>Power Consumption (W)</b>	47 W
<b>TV Dimensions DxLxH (with foot) (mm)</b>	135 x 554 x 370
<b>TV Dimensions DxLxH (without foot) (mm)</b>	35/61 x 554 x 336
<b>Display</b>	24"
<b>Operation temperature and operation humidity</b>	0°C up to 40°C, 85% humidity max
















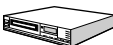










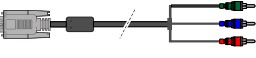



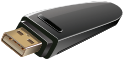
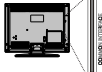



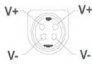
## (\*) MY BUTTON 1 & MY BUTTON 2:

These buttons may have default functions depending on the model. However you can set a special function to these buttons by pressing on them for five seconds when on a desired source or channel. A confirmation message will be displayed on the screen. Now the selected MY BUTTON is associated with the selected function.

Note that if you perform **First Time Installation**, MY BUTTON 1&2 will return to their default function.

1. **Standby:** Switches On / Off the TV
2. **Numeric buttons:** Switches the channel, enters a number or a letter in the text box on the screen.
3. **TV:** Displays channel list / Switches to TV Source
4. **Mute:** Completely turns off the volume of the TV
5. **Volume +/-**
6. **Menu:** Displays TV menu
7. **Directional buttons:** Helps navigate menus, content etc. and displays the subpages in TXT mode when pressed Right or Left
8. **OK:** Confirms user selections, holds the page (in TXT mode), views channel list (DTV mode)
9. **Back/Return:** Returns to previous screen, opens index page (in TXT mode)
10. **Media browser:** Opens the media browsing screen
11. **Info:** Displays information about on-screen content, shows hidden information (reveal - in TXT mode)
12. **My button 1 (\*)**
13. **Coloured Buttons:** Follow the on-screen instructions for coloured button functions
14. **Language:** Switches among sound modes (analogue TV), displays and changes audio/subtitle language (digital TV, where available)
15. **Subtitles:** Turns subtitles on and off (where available)
16. **Rapid reverse:** Moves frames backwards in media such as movies
17. **Record:** Records programmes
18. **Play:** Starts to play selected media
19. **Stop:** Stops the media being played
20. **Rapid advance:** Moves frames forward in media such as movies
21. **Pause:** Pauses the media being played, starts timeshift recording
22. **Screen:** Changes the aspect ratio of the screen
23. **Text:** Displays teletext (where available), press again to superimpose the teletext over a normal broadcast picture (mix)
24. **My button 2 (\*)**
25. **EPG (Electronic programme guide):** Displays the electronic programme guide
26. **Exit:** Closes and exits from displayed menus or returns to previous screen
27. **Quick Menu:** Displays a list of menus for quick access
28. No function
29. **Programme +/-**
30. **Swap:** Quickly cycles between previous and current channels or sources
31. **Source:** Shows all available broadcast and content sources

## Connections

Connector	Type	Cables	Device
	Scart Connection (back)		
	VGA Connection (back)		
	PC/YPbPr Audio Connection (side)	 YPbPr/PC Audio Cable	
	HDMI Connection (back)		
	SPDIF (Coaxial Out) Connection (back)		
	Side AV (Audio/Video) Connection (side)	 AV Cable	
	Headphone Connection (side)		
	YPbPr Video Connection (back)	 PC to YPbPr Connection Cable	
	USB Connection (side)		
	CI Connection (side)		
	12V DC Connection (back)	DC 12V Input	

**NOTE:** When connecting a device via the YPbPr or Side AV input, you must use the connection cables to enable connection. See the illustrations on the left side. You can use YPbPr to VGA cable to enable YPbPr signal via VGA input. You cannot use VGA and YPbPr at the same time. To enable PC/YPbPr audio, you will need to use the side audio inputs with a YPbPr/PC audio cable for audio connection. If an external device is connected via the SCART socket, the TV will automatically switch to AV mode. When receiving DTV channels (Mpeg4 H.264) or while in Media Browser mode, output will not be available via the scart socket. When using the wall mounting kit (available from third party in the market, if not supplied), we recommend that you plug all your cables into the back of the TV before mounting on the wall. Insert or remove the CI module only when the TV is SWITCHED OFF. You should refer to the module instruction manual for details of the settings. The/Each USB input of your TV supports devices up to 500mA. Connecting devices that have current value above 500mA may damage your TV. By connecting an HDMI cable to your TV, you have to use only a shielded HDMI cable to guarantee a sufficient immunity against parasitic frequency radiation.



If you want to connect a device to the TV, make sure that both the TV and the device are turned off before making any connection. After the connection is done, you can turn on the units and use them.

## Switching On/Off

### To Switch the TV On

Connect the power cord to a power source such as a wall socket (100-240V AC, 50/60 Hz).

To switch on the TV from standby mode either:

- Press the **Standby** button, **Programme +/-** or a numeric button on the remote control.
- Press the side function switch on the TV until the TV comes on from standby.

### To Switch the TV Off

Press the **Standby** button on the remote control or press the side function switch on the TV until the TV switches into standby mode.

**To power down the TV completely, unplug the power cord from the mains socket.**

***Note:** When the TV is switched into standby mode, the standby LED can blink to indicate that features such as Standby Search, Over Air Download or Timer is active. The LED can also blink when you switch on the TV from standby mode.*

## First Time Installation

When turned on for the first time, the language selection screen is displayed. Select the desired language and press **OK**.

On the next screen, set your preferences using the directional buttons.

***Notes:** Depending on the **Country** selection you may be asked to set and confirm a PIN at this point. The selected PIN cannot be 0000. You have to enter it if you are asked to enter a PIN for any menu operation later.*

*M7(\*) operator type will be defined according to the **Language** and **Country** selections that you made in the **First Time Installation**.*

*(\*) M7 is a digital satellite service provider.*

### About Selecting Broadcast Type

**Digital Aerial:** If **Digital Aerial** broadcast search option is turned on, the TV will search for digital terrestrial broadcasts after other initial settings are completed.

**Digital Cable:** If **Digital Cable** broadcast search option is turned on, the TV will search for digital cable broadcasts after other initial settings are completed. According to your other preferences a confirmation message may be displayed before starting to search. Select **YES** and press **OK** to proceed. To cancel operation, select **NO** and press **OK**. You can select **Network** or set values such as **Frequency**, **Network ID** and **Search Step**. When finished, press **OK** button.

***Note:** Searching duration will change depending on the selected **Search Step**.*

**Satellite:** If **Satellite** broadcast search option is turned on, the TV will search for digital satellite broadcasts after other initial settings are completed. Before satellite search is performed some settings should be

made. Before the satellite search starts, a menu will be displayed where you can select to start an **M7** operator installation or a standard installation. To start an **M7** operator installation set the **Install Type** as **Operator** and the **Satellite Operator** as the related **M7** operator. Then highlight **Preferred Scan** option and set as **Automatic channel scan** and press **OK** to start the automatic search. These options can be preselected depending on the **Language** and **Country** selections that you made in the earlier steps of the first time installation process. You may be asked to select **HD/SD** or country specific channel list according to your **M7** operator type. Select one and press **OK** to proceed.

Wait till the scan is finished. Now the list has been installed.

While performing an **M7** operator installation, if you want to use the satellite installation parameters that differ from the default settings select the **Preferred Scan** option as **Manual channel scan** and press the **OK** button to proceed. **Antenna Type** menu will be displayed next.

In order to search for satellite channels other than **M7** channels you should start a standard installation. Select the **Install Type** as **Standard** and press the **OK** button to proceed. **Antenna Type** menu will be displayed next.

There are three types of antenna selection. You can select **Antenna Type** as **Direct**, **Single Satellite Cable** or **DiSEqC switch** by using "**◀**" or "**▶**" buttons.

- **Direct:** If you have a single receiver and a direct satellite dish, select this antenna type. Press **OK** to continue. Select an available satellite on the next screen and press **OK** to scan for services.
- **Single Satellite Cable:** If you have multiple receivers and a single satellite cable system, select this antenna type. Press **OK** to continue. Configure settings by following instructions on the next screen. Press **OK** to scan for services.
- **DiSEqC switch:** If you have multiple satellite dishes and a **DiSEqC switch**, select this antenna type. Then set the **DiSEqC** version and press **OK** to continue. You can set up to four satellites (if available) for version v1.0 and sixteen satellites for version v1.1 on the next screen. Press **OK** button to scan the first satellite in the list.

**Analogue:** If **Analogue** broadcast search option is turned on, the TV will search for analogue broadcasts after other initial settings are completed.

Additionally you can set a broadcast type as your favourite one. Priority will be given to the selected broadcast type during the search process and the channels of it will be listed on the top of the **Channel List**. When finished, press **OK** to continue.

You can activate **Store Mode** option at this point. This option will configure your TV's settings for store

environment and depending on the TV model being used, the supported features of it may be displayed on the top of the screen as an info banner. This option is intended only for store use. It is recommended to select **Home Mode** for home use. This option will be available in **System>Settings>More** menu and can be turned off/on later.

Press **OK** button on the remote control to continue. After the initial settings are completed TV will start to search for available broadcasts of the selected broadcast types.

After all the available stations are stored, scan results will be displayed. Press **OK** to continue. The **Edit Channel List** menu will be displayed next. You can edit the channel list according to your preferences or press the **Menu** button to quit and watch TV.

While the search continues a message may appear, asking whether you want to sort channels according to the LCN(\*). Select **Yes** and press **OK** to confirm.

(\* LCN is the Logical Channel Number system that organizes available broadcasts in accordance with a recognizable channel number sequence (if available).

#### Notes:

To search for M7 channels after the **First Time Installation**, you should perform the first time installation again. Or press the **Menu** button and enter the **Installation>Automatic Channel Scan>Satellite** menu. Then follow the same steps mentioned above in the satellite section.

Do not turn off the TV while initializing first time installation. Note that, some options may not be available depending on the country selection.

### Media Playback via USB Input

You can connect 2.5" and 3.5" inch (hdd with external power supply) external hard disk drives or USB memory stick to your TV by using the USB inputs of the TV.

**IMPORTANT!** Back up the files on your storage devices before connecting them to the TV. Manufacturer will not be responsible for any file damage or data loss. Certain types of USB devices (e.g. MP3 Players) or USB hard disk drives/memory sticks may not be compatible with this TV. The TV supports FAT32 and NTFS disk formatting but recording will not be available with NTFS formatted disks.

While formatting USB hard drives which have more than 1TB (Tera Byte) storage space you may experience some problems in the formatting process.

Wait a little while before each plugging and unplugging as the player may still be reading files. Failure to do so may cause physical damage to the USB player and the USB device itself. Do not pull out your drive while playing a file.

You can use USB hubs with your TV's USB inputs. External power supplied USB hubs are recommended in such a case.

It is recommended to use the TV's USB input(s) directly, if you are going to connect a USB hard disk.

**Note:** When viewing image files the **Media Browser** menu can only display 1000 image files stored on the connected USB device.

### Recording a Programme

**IMPORTANT:** When using a new USB hard disk drive, it is recommended that you first format the disk using your TV's "**Format Disk**" option in the **Media Browser>Settings>Recording Settings** menu.

To record a programme, you should first connect a USB disk to your TV while the TV is switched off. You should then switch on the TV to enable the recording feature.

To use recording your USB drive should have 2 GB free space and be USB 2.0 compatible. If the USB drive is not compatible an error message will be displayed.

To record long duration programmes such as movies, it is recommended to use USB Hard disk drives (HDD's).

Recorded programmes are saved into the connected USB disk. If desired, you can store/copy recordings onto a computer; however, these files will not be available to be played on a computer. You can play the recordings only via your TV.

Lip Sync delay may occur during the timeshifting. Radio record is supported. The TV can record programmes up to ten hours.

Recorded programmes are split into 4GB partitions.

If the writing speed of the connected USB disk is not sufficient, the recording may fail and the timeshifting feature may not be available.

It is recommended to use USB hard disk drives for recording HD programmes.

Do not pull out the USB/HDD during a recording. This may harm the connected USB/HDD.

Multipartition support is available. A maximum of two different partitions are supported. The first partition of the USB disk is used for PVR ready features. It also must be formatted as the primary partition to be used for the PVR ready features.

Some stream packets may not be recorded because of signal problems, as a result sometimes videos may freeze during playback.

Record, Play, Pause, Display (for PlayListDialog) keys can not be used when teletext is on. If a recording starts from timer when teletext is on, teletext is automatically turned off. Also teletext usage is disabled when there is an ongoing recording or playback.

### Timeshift Recording

Press **Pause** button while watching a broadcast to activate timeshifting mode. In timeshifting mode, the programme is paused and simultaneously recorded to the connected USB disk.

Press **Play** button again to resume the paused programme from where you stopped. Press the **Stop** button to stop timeshift recording and return to the live broadcast.

Timeshift cannot be used while in radio mode.

You cannot use the timeshift fast reverse feature before advancing the playback with the fast forward option.

### Instant Recording

Press **Record** button to start recording an event instantly while watching a programme. You can press **Record** button on the remote control again to record the next event after selecting the next programme from within the EPG. Press **Stop** button to cancel instant recording.

You can not switch broadcasts or view the **Media Browser** during the recording mode. While recording a programme or during the timeshifting, a warning message appears on the screen if your USB device speed is not sufficient.

### Watching Recorded Programmes

Select the **Recordings** from the **Media Browser** menu. Select a recorded item from the list (if previously recorded). Press the **OK** button to view the **Play Options**. Select an option then press **OK** button.

Press the **Stop** button to stop a playback and return to the **Recordings**.

### Slow Forward

If you press **Pause** button while watching recorded programmes, the slow forward feature will be available. You can use **Rapid advance** button to slow forward. Pressing **Rapid advance** button consecutively will change slow forwarding speed.

*Note: Viewing main menu and menu items will not be available during the playback. Please also note that previously set recording timer/s will not function while using the **Recordings** menu.*

### Recording Configuration

Select the **Recording Settings** item in the **Media Browser>Settings** menu to configure the recording settings.

**Format Disk:** You can use the **Format Disk** feature for formatting the connected USB disk. Your PIN is required to use the **Format Disk** feature.

*Note: Default PIN can be set to 0000 or 1234. If you have defined the PIN(is requested depending on the country selection) during the **First Time Installation** use the PIN that you have defined.*






**IMPORTANT:** Formatting your USB drive will erase ALL the data on it and it's file system will be converted to FAT32. In most cases operation errors will be fixed after a format but you will lose ALL your data.

If "**USB disk writing speed too slow to record**" message is displayed on the screen while starting a

recording, try restarting the recording. If you still get the same error, it is possible that your USB disk does not meet the speed requirements. Try connecting another USB disk.

### Media Browser Menu

You can play photo, music, and movie files stored on a USB disk by connecting it to your TV. Connect a USB disk to one of the USB inputs located on the side of the TV. Pressing the **Menu** button while in the **Media Browser** mode will access the **Picture**, **Sound** and **Settings** menu options. Pressing the **Menu** button again will exit from this screen. You can set your **Media Browser** preferences by using the **Settings** Menu.

Loop/Shuffle Mode Operation	
Start playback with the <b>Play</b> button and activate 	All files in the list will be continuously played in original order
Start playback with the <b>OK</b> button and activate 	The same file will be played continuously (repeat)
Start playback with the <b>Play</b> button and activate 	All files in the list will be played once in random order
Start playback with the <b>Play</b> button and activate  	All files in the list will be continuously played in the same random order.

### CEC and CEC RC Passthrough

This function allows to control the CEC-enabled devices, that are connected through HDMI ports by using the remote control of the TV.

The **CEC** option in the **System>Settings>More** menu should be set as **Enabled** at first. Press the **Source** button and select the HDMI input of the connected CEC device from the **Sources List** menu. When new CEC source device is connected, it will be listed in source menu with its own name instead of the connected HDMI ports name(such as DVD Player, Recorder 1 etc.).

The TV remote is automatically able to perform the main functions after the connected HDMI source has been selected.

To terminate this operation and control the TV via the remote again, press **Quick Menu** button on the remote, highlight the **CEC RC Passthrough** and set as **Off** by pressing Left or Right button. This feature can also be enabled or disabled under the **System>Settings>More** menu.

The TV supports also ARC(Audio Return Channel) feature. This feature is an audio link meant to replace other cables between the TV and the audio system (A/V receiver or speaker system).

When ARC is active, TV does not mute its other audio outputs automatically. So you need to decrease TV volume to zero manually, if you want to hear audio from

connected audio device only (same as other optical or co-axial digital audio outputs). If you want to change connected device's volume level, you should select that device from the source list. In that case volume control keys are directed to connected audio device.

**Note:** ARC is supported only via the HDMI1 input.

### **System Audio Control**

Allows an Audio Amplifier/Receiver to be used with the TV. The volume can be controlled using the remote control of the TV. To activate this feature set the **Speakers** option in the **System>Settings>More** menu as **Amplifier**. The TV speakers will be muted and the sound of the watched source will be provided from the connected sound system.

**Note:** The audio device should support System Audio Control feature and **CEC** option should be set as **Enabled**.

## TV Menu Contents

### System - Picture Menu Contents

<b>Mode</b>	You can change the picture mode to suit your preference or requirements. Picture mode can be set to one of these options: <b>Cinema</b> , <b>Game</b> (optional), <b>Sports</b> , <b>Dynamic</b> and <b>Natural</b> .
<b>Contrast</b>	Adjusts the light and dark values on the screen.
<b>Brightness</b>	Adjusts the brightness values on the screen.
<b>Sharpness</b>	Sets the sharpness value for the objects displayed on the screen.
<b>Colour</b>	Sets the colour value, adjusting the colors.
<b>Energy Saving</b>	For setting the <b>Energy Saving</b> to <b>Custom</b> , <b>Minimum</b> , <b>Medium</b> , <b>Maximum</b> , <b>Auto</b> , <b>Screen Off</b> or <b>Off</b> . <b>Note:</b> Available options may differ depending on the selected <b>Mode</b> .
<b>Backlight</b>	This setting controls the backlight level. The backlight function will be inactive if the <b>Energy Saving</b> is set to an option other than <b>Custom</b> .
<b>Advanced Settings</b>	
<b>Dynamic Contrast</b>	You can change the dynamic contrast ratio to desired value.
<b>Noise Reduction</b>	If the signal is weak and the picture is noisy, use the <b>Noise Reduction</b> setting to reduce the amount of noise.
<b>Colour Temp</b>	Sets the desired colour temperature value. <b>Cool</b> , <b>Normal</b> , <b>Warm</b> and <b>Custom</b> options are available.
<b>White Point</b>	If the <b>Colour Temp</b> option is set as <b>Custom</b> , this setting will be available. Increase the 'warmth' or 'coolness' of the picture by pressing Left or Right buttons.
<b>Picture Zoom</b>	Sets the desired image size format.
<b>Film Mode</b>	Films are recorded at a different number of frames per second to normal television programmes. Turn this feature on when you are watching films to see the fast motion scenes clearly.
<b>Skin Tone</b>	Skin tone can be changed between -5 and 5.
<b>Colour Shift</b>	Adjust the desired colour tone.
<b>HDMI Full Range</b>	While watching from a HDMI source, this feature will be visible. You can use this feature to enhance blackness in the picture.
<b>PC Position</b>	Appears only when the input source is set to VGA/PC.
<b>Autoposition</b>	Automatically optimizes the display. Press OK to optimize.
<b>H Position</b>	This item shifts the image horizontally to the right hand side or left hand side of the screen.
<b>V Position</b>	This item shifts the image vertically towards the top or bottom of the screen.
<b>Dot Clock</b>	Dot Clock adjustments correct the interference that appear as vertical banding in dot intensive presentations like spreadsheets or paragraphs or text in smaller fonts.
<b>Phase</b>	Depending on the input source(computer etc.) you may see a hazy or noisy picture on the screen. You can use phase to get a clearer picture by trial and error.
<b>Reset</b>	Resets the picture settings to factory default settings (except <b>Game Mode</b> ).
<i>While in VGA (PC) mode, some items in <b>Picture</b> menu will be unavailable. Instead, VGA mode settings will be added to the <b>Picture Settings</b> while in PC mode.</i>	

System - Sound Menu Contents	
<b>Volume</b>	Adjusts the volume level.
<b>Equalizer</b>	Selects the equalizer mode. Custom settings can be made only when in <b>User</b> mode.
<b>Balance</b>	Adjusts whether the sound comes from the left or right speaker.
<b>Headphone</b>	Sets headphone volume. Please ensure before using headphones that the headphone volume is set to a low level, to prevent damage to your hearing.
<b>Sound Mode</b>	You can select a sound mode (If the viewed channel supports).
<b>AVL (Automatic Volume Limiting)</b>	Sets the sound to obtain fixed output level between programmes.
<b>Headphone/Lineout</b>	When you connect an external amplifier to your TV using the headphone jack, you can select this option as <b>Lineout</b> . If you have connected headphones to the TV, set this option as <b>Headphone</b> . Please ensure before using headphones that this menu item is set to <b>Headphone</b> . If it is set to <b>Lineout</b> , the output from the headphone socket will be set to maximum which could damage your hearing.
<b>Dynamic Bass</b>	Enables or disables the Dynamic Bass.
<b>Surround sound</b>	Surround sound mode can be changed as <b>On</b> or <b>Off</b> .
<b>Digital Out</b>	Sets digital out audio type.



System - Settings Menu Contents	
Conditional Access	Controls conditional access modules when available.
Language	You may set a different language depending on the broadcaster and the country.
Parental	Enter correct password to change parental settings. You can easily adjust <b>Menu Lock</b> , <b>Maturity Lock</b> , <b>Child Lock</b> or <b>Guidance</b> in this menu. You can also set a new <b>PIN</b> or change the <b>Default CICAM PIN</b> using the related options. <i>Note: Some menu options may not be available depending on the country selection in the <b>First Time Installation</b>. Default PIN can be set to 0000 or 1234. If you have defined the PIN(is requested depending on the country selection) during the <b>First Time Installation</b> use the PIN that you have defined.</i>
Timers	Sets sleep timer to turn off the TV after a certain time. Sets timers for selected programmes.
Date/Time	Sets date and time.
Sources	Enables or disables selected source options.
Accessibility	Displays accessibility options of the TV.
Hard of Hearing	Enables any special feature sent from the broadcaster.
Audio Description	A narration track will be played for the blind or visually impaired audience. Press <b>OK</b> to see all available <b>Audio Description</b> menu options. This feature is available only if the broadcaster supports it. <i>Note: Audio description sound feature is not available in recording or time shifting mode.</i>
More	Displays other setting options of the TV.
Menu Timeout	Changes timeout duration for menu screens.
Software Upgrade	Ensures that your TV has the latest firmware. Press <b>OK</b> to see the menu options.
Application Version	Displays current software version.
Subtitle Mode	This option is used to select which subtitle mode will be on the screen ( <b>DVB subtitle</b> / <b>Teletext subtitle</b> ) if both is available. Default value is <b>DVB subtitle</b> . This feature is available only for the country option of Norway.
Auto TV OFF	Sets the desired time for the TV to automatically go into standby mode when not being operated.
Biss Key	Biss is a satellite signal scrambling system that is used for some broadcasts. If you need to enter Biss key on a broadcast, you can use this setting. Highlight <b>Biss Key</b> and press <b>OK</b> to enter keys on the desired broadcast.
Store Mode	Select this mode for store display purposes. Whilst <b>Store Mode</b> is enabled, some items in the TV menu may not be available.
Power Up Mode	This setting configures the power up mode preference. <b>Last State</b> and <b>Standby</b> options are available.
CEC	With this setting you can enable and disable CEC functionality completely. Press Left or Right button to enable or disable the feature.
CEC Auto Power On	This function allows the connected HDMI-CEC compatible device to turn on the TV and switch to its input source automatically. Press <b>Left</b> or <b>Right</b> button to enable or disable the feature.
Speakers	To hear the TV audio from the connected compatible audio device set as <b>Amplifier</b> . You can use the remote control of the TV to control the volume of the audio device.
OSS	Displays Open Source Software license information.

Installation Menu Contents	
<b>Automatic channel scan (Retune)</b>	Displays automatic tuning options. <b>Digital Aerial</b> : Searches and stores aerial DVB stations. <b>Digital Cable</b> : Searches and stores cable DVB stations. <b>Analogue</b> : Searches and stores analogue stations. <b>Satellite</b> : Searches and stores satellite stations.
<b>Manual Channel Scan</b>	This feature can be used for direct broadcast entry.
<b>Network Channel Scan</b>	Searches for the linked channels in the broadcast system. <b>Digital Aerial</b> : Searches for aerial network channels. <b>Digital Cable</b> : Searches for cable network channels.
<b>Analogue Fine Tune</b>	You can use this setting for fine tuning analogue channels. This feature is not available if no analogue channels are stored.
<b>Satellite Settings</b>	Displays satellite settings. <b>Satellite list</b> : Displays available satellites. You can <b>Add, Delete</b> satellites or <b>Edit</b> satellite settings on the list. <b>Antenna installation</b> : You can change satellite antenna settings and/or start a satellite scan. <b>SatcoDX</b> : You can upload or download SatcoDX data using the related options.
<b>Installation Settings (Optional)</b>	Displays installation settings menu. <b>Standby Search(*)</b> : Your TV will search for new or missing channels while in standby. Any new found broadcasts will be shown. <b>Dynamic Channel Update(*)</b> : If this option is set as Enabled, the changes on the broadcasts such as frequency, channel name, subtitle language etc., will be applied automatically while watching. <i>(*) Availability depends on model.</i>
<b>Setup Home Transponder</b>	Using this menu, you can edit the main and backup home transponder parameters, including the <b>Pid</b> of the related M7 operator, which are used to download the channel list. Set your preferences and press the <b>Green</b> button to save the settings. Then start an M7 operator installation using the <b>Automatic channel scan&gt;Satellite</b> menu.
<b>Clear Service List</b>	Use this setting to clear channels stored. This setting is visible only when the <b>Country</b> option is set to Denmark, Sweden, Norway or Finland.
<b>Select Active Network</b>	This setting allows you to select only the broadcasts within the selected network to be listed in the channel list. This feature is available only for the country option of Norway.
<b>Signal Information</b>	You can use this menu item to monitor signal related informations such as signal level/quality, network name etc for available frequencies.
<b>First Time Installation</b>	Deletes all stored channels and settings, resets TV to factory settings.

## General TV Operation

### Using the Channel List

The TV sorts all stored stations in the **Channel List**. You can edit this channel list, set favourites or set active stations to be listed by using the **Channel List** options. Press the **OK/TV** button to open the **Channel List**. You can filter the listed channels by pressing the **Blue** button or open the **Edit Channel List** menu by pressing the **Green** button in order to make advanced changes in the current list.

*Note: The commands **Move**, **Delete** and **Edit name** in the **Edit Channel List** menu are not available for channels that are being broadcasted from an M7 operator.*

### Managing the Favourite Lists

You can create four different lists of your favourite channels. Enter the **Channel List** in the main menu or press the **Green** button while the **Channel List** is displayed on the screen in order to open the **Edit Channel List** menu. Select the desired channel on the list. You can make multiple choices by pressing the **Yellow** button. Then press the **OK** button to open the **Channel Edit Options** menu and select **Add/Remove Favourites** option. Press the **OK** button again. Set the desired list option to **On**. The selected channel/s will be added to the list. In order to remove a channel or channels from a favourite list follow the same steps and set the desired list option to **Off**.

You can use the **Filter** function in the **Edit Channel List** menu to filter the channels in the **Channel List** permanently according to your preferences. Using this **Filter** option, you can set one of your four favourite lists to be displayed everytime the **Channel list** is opened. The filtering function in the **Channel list** menu will only filter the currently displayed **Channel list** in order to find a channel and tune in to it. These changes will not remain the next time the **Channel list** is opened if you don't save them. To save the changes on the list press the **Red** button after filtering while the **Channel list** is displayed on the screen.

### Configuring Parental Settings

The **Parental Settings** menu options can be used to prohibit users from viewing of certain programmes, channels and using of menus. These settings are located in the **System>Settings>Parental** menu.

To display parental lock menu options, a PIN number should be entered. After coding the correct PIN number, **Parental Settings** menu will be displayed.

**Menu Lock:** This setting enables or disables access to all menus or installation menus of the TV.

**Maturity Lock:** If this option is set, TV gets the maturity information from the broadcast and if this maturity level is disabled, disables access to the broadcast.

*Note: If the country option in the **First Time Installation** is set as **France**, **Italy** or **Austria**, **Maturity Lock**'s value will be set to 18 as default.*

**Child Lock:** If this option is set to **ON**, the TV can only be controlled by the remote control. In this case the control buttons on the TV will not work.

**Set PIN:** Defines a new PIN number.

**Default CICAM PIN:** This option will appear as greyed out if no CI module is inserted into the CI slot of the TV. You can change the default PIN of the CI CAM using this option.

**TV PIN(\*):** By enabling or disabling this option you can allow or restrict some M7 operator channels to send PIN queries. These PIN queries provide an access control mechanism for related channels. If this option is set as **On**, the channels which send PIN queries can not be accessed without entering the right PIN first.

*(\* This menu option will only be available if an M7 operator installation is performed.*

*Note: Default PIN can be set to **0000** or **1234**. If you have defined the PIN(is requested depending on the country selection) during the **First Time Installation** use the PIN that you have defined.*

*Some options may not be available depending on the country selection in the **First Time Installation**.*

### Electronic Programme Guide (EPG)

Some channels send information about their broadcast schedules. Press the **Epg** button to view the **Programme Guide** menu.

There are 3 different types of schedule layouts available, **Timeline Schedule**, **List Schedule** and **Now/Next Schedule**. To switch between them follow the instructions on the bottom of the screen.

#### Timeline Schedule

**Zoom (Yellow button):** Press the **Yellow** button to see events in a wider time interval.

**Filter (Blue button):** Views filtering options.

**Highlight Genre (Subtitles button):** Displays **Highlight Genre** menu. Using this feature, you can search the programme guide database in accordance with the genre. Info available in the programme guide will be searched and results matching your criteria will be highlighted.

**Options (OK button):** Displays event options.

**Event Details (Info button):** Displays detailed information about selected events.

**Next/Prev Day (Programme +/- buttons):** Displays the events of previous or next day.

**Search (Text button):** Displays **Guide Search** menu.

**Now (Source button):** Displays current event of the highlighted channel.

**Rec./Stop (Record button):** The TV will start to record the selected event. You can press again to stop the recording.

**IMPORTANT:** Connect a USB disk to your TV while the TV is switched off. You should then switch on the TV to enable the recording feature.

**Note:** Switching to a different broadcast or source is not available during a recording.

## List Schedule(\*)

(\*) In this layout option, only the events of the highlighted channel will be listed.

**Prev. Time Slice (Red button):** Displays the events of previous time slice.

**Next/Prev Day (Programme +/- buttons):** Displays the events of previous or next day.

**Event Details (Info button):** Displays detailed information about selected events.

**Filter (Text button):** Views filtering options.

**Next Time Slice (Green button):** Displays the events of next time slice.

**Options (OK button):** Displays event options.

**Rec./Stop (Record button):** The TV will start to record the selected event. You can press again to stop the recording.

**IMPORTANT:** Connect a USB disk to your TV while the TV is switched off. You should then switch on the TV to enable the recording feature.

**Note:** Switching to a different broadcast or source is not available during a recording.

## Now/Next Schedule

**Options (OK button):** Displays event options.

**Event Details (Info button):** Displays detailed information about selected events.

**Filter (Blue button):** Views filtering options.

**Rec./Stop (Record button):** The TV will start to record the selected events. You can press again to stop the recording.

**IMPORTANT:** Connect a USB disk to your TV while the TV is switched off. You should then switch on the TV to enable the recording feature.

**Note:** Switching to a different broadcast or source is not available during a recording.

## Event Options

Use the directional buttons to highlight an event and press **OK** button to display **Event Options** menu. The following options are available.

**Select Channel:** Using this option, you can switch to the selected channel.

**Record / Delete Rec. Timer:** Select the **Record** option and press the **OK** button. If the event is going to be broadcasted at a future time, it will be added to **Timers** list to be recorded. If the selected event is being broadcasted at the moment, recording will start immediately.

To cancel an already set recording, highlight that event and press the **OK** button and select the option **Delete Rec. Timer**. The recording will be cancelled.

**Set Timer on Event / Delete Timer on Event:** After you have selected an event in the EPG menu, press the **OK** button. Select **Set Timer on Event** option and press the **OK** button. You can set a timer for future events.

To cancel an already set timer, highlight that event and press the **OK** button. Then select **Delete Timer on Event** option. The timer will be cancelled.

**Notes:** You cannot switch to any other channel or source while there is an active recording or timer on the current channel. It is not possible to set timer or record timer for two or more individual events at the same time interval.

## Teletext Services

Press the **Text** button to enter. Press again to activate mix mode, which allows you to see the teletext page and the TV broadcast at the same time. Press once more to exit. If available, sections in the teletext pages will become colour-coded and can be selected by pressing the coloured buttons. Follow the instructions displayed on the screen.

## Software Upgrade

Your TV is capable of finding and updating the firmware automatically via the broadcast signal.

### Software upgrade search via user interface

On the main menu select **System>Settings** and then **More**. Navigate to **Software upgrade** and press the **OK** button. In **Upgrade options** menu select **Scan for upgrade** and press **OK** button to check for a new software upgrade.

If a new upgrade is found, it starts to download the upgrade. After the download is completed confirm the question asking about rebooting the TV by pressing the **OK** to continue with the reboot operation.

### 3 AM search and upgrade mode

Your TV will search for new upgrades at 3:00 o'clock if **Automatic scanning** option in the **Upgrade options** menu is set to **Enabled** and if the TV is connected to an aerial signal. If a new software is found and downloaded successfully, it will be installed at the next power on.

**Note:** Do not unplug the power cord while led is blinking during the reboot process. If the TV fails to come on after the upgrade, unplug, wait for two minutes then plug it back in.

## Troubleshooting & Tips

### Tv will not turn on

Make sure the power cord is plugged in securely to wall outlet. Check if batteries are exhausted. Press the **Power** button on the TV.

### Poor picture

- Check if you have selected the correct TV system.
- Low signal level can cause picture distortion. Please check antenna access.
- Check if you have entered the correct channel frequency if you have done manual tuning.

- The picture quality may degrade when two devices are connected to the TV at the same time. In such a case, disconnect one of the devices.

### No picture

- This means your TV is not receiving any transmission. Make sure the correct source has been selected.
- Is the antenna connected properly?
- Is the antenna cable damaged?
- Are suitable plugs used to connect the antenna?
- If you are in doubt, consult your dealer.

### No sound

- Check if the TV is muted. Press the **Mute** button or increase the volume to check.
- Sound may be coming from only one speaker. Check the balance settings from **Sound** menu.

### Remote control - no operation

- The batteries may be exhausted. Replace the batteries.

### Input sources - can not be selected

- If you cannot select an input source, it is possible that no device is connected. If not;
- Check the AV cables and connections if you are trying to switch to the input source dedicated to the connected device.

### Recording unavailable

To record a programme, you should first connect a USB disk to your TV while the TV is switched off. You should then switch on the TV to enable recording feature. If you cannot record, try switching off the TV and then re-inserting the USB device.

### USB is too slow

If a "USB disk writing speed too slow to record" message is displayed on the screen while starting a recording, try restarting the recording. If you still get the same error, it is possible that your USB disk does not meet the speed requirements. Try connecting another USB disk.

### PC Input Typical Display Modes

The following table is an illustration of some of the typical video display modes. Your TV may not support all resolutions. Your TV supports up to 1920x1080.

Index	Resolution	Frequency
1	640x480	60 Hz
2	800x600	56 Hz
3	800x600	60 Hz
4	1024x768	60 Hz
5	1024x768	66 Hz
6	1280x768	60 Hz
7	1280x960	60 Hz
8	1280x1024	60 Hz
9	1360x768	60 Hz
10	1400x1050	60 Hz
11	1600x1200	60 Hz
12	1920x1080	60 Hz

### AV and HDMI Signal Compatibility

Source	Supported Signals	Available	
EXT (SCART)	PAL 50/60	O	
	NTSC 60	O	
	RGB 50	O	
	RGB 60	O	
Side AV	PAL 50/60	O	
	NTSC 60	O	
PC/YpBPr	480I, 480P	60Hz	O
	576I, 576P	50Hz	O
	720P	50Hz,60Hz	O
	1080I	50Hz,60Hz	O
	1080P	50Hz,60Hz	O
HDMI	480I	60Hz	O
	480P	60Hz	O
	576I, 576P	50Hz	O
	720P	50Hz,60Hz	O
	1080I	50Hz,60Hz	O
	1080P	24Hz, 25Hz 30Hz, 50Hz, 60Hz	O

(X: Not Available, O: Available)

In some cases a signal on the TV may not be displayed properly. The problem may be an inconsistency with standards from the source equipment (DVD, Set-top box, etc. ). If you do experience such a problem please contact your dealer and also the manufacturer of the source equipment.

## Supported File Formats for USB Mode

Media	Extension	Format	Notes
Video	.mpg, .mpeg	MPEG1-2	MPEG1: 768x576 @ 30P, MPEG2: 1920x1080 @ 30P
	.vob	MPEG2	1920x1080 @ 30P
	.mp4	MPEG4, Xvid, H.264	
	.mkv	H.264, MPEG4, VC-1	
	.avi	MPEG2, MPEG4, Xvid, H.264	
	.flv	H.264/VP6/ Sorenson	H.264/VP6: 1920x1080 @ 30P Sorenson: 352x288 @ 30P
	.mp4, .mov, .3gpp, .3gp, MPEG transport stream, .ts, .trp, .tp, .mkv	HEVC/H.265	1080P@60fps - 50Mbps
	.3gp	MPEG4 , H.264	1920x1080 @ 30P
Audio	.mp3	MPEG1 Layer 2/3	Layer2: 32Kbps ~ 448Kbps (Bit rate) / 32kHz, 44.1kHz, 48kHz, 16kHz, 22.05kHz, 24kHz (Sampling rate) Layer3: 32Kbps ~ 320Kbps (Bit rate) / 32kHz, 44.1kHz, 48kHz, 16kHz, 22.05kHz, 24kHz, 8kHz, 11.025kHz, 12kHz (Sampling rate)
	(works only with video files)	AC3	32Kbps ~ 640Kbps (Bit rate) / 32kHz, 44.1kHz, 48kHz (Sampling rate)
		AAC	16Kbps ~ 576Kbps (Bit rate) / 48kHz, 44.1kHz, 32kHz, 24kHz, 22.05kHz, 16kHz, 12kHz, 11.025kHz, 8kHz (Sampling rate)
		EAC3	32Kbps ~ 6Kbps (Bit rate) / 32kHz, 44.1kHz, 48kHz (Sampling rate)
		LPCM	Unsigned 8bit PCM, Signed/Unsigned 16bit PCM (big / little endian), 24bit PCM (big endian), DVD LPCM 16/20/24bit (Bit rate) / 6kHz, 8kHz, 11.025kHz, 12kHz, 16kHz, 22.05kHz, 24kHz, 32kHz, 44.1kHz, 48kHz , 88.2kHz, 96kHz, 176.4kHz, 192kHz (Sampling rate)
		IMA-ADPCM/ MS-ADPCM	384Kbps (Bit rate) / 8KHz ~ 48KHz (Sampling rate)
		LBR	32Kbps ~ 96Kbps (Bit rate) / 32kHz, 44.1kHz, 48kHz (Sampling rate)
Picture	.jpeg	Baseline	Resolution(WxH): 17000x10000
		Progressive	Resolution(WxH): 4000x4000
	.bmp	-	Resolution(WxH): 5760x4096
Subtitle	.sub, .srt	-	-

## Supported DVI Resolutions

When connecting devices to your TV's connectors by using DVI converter cable(DVI to HDMI cable - not supplied), you can refer to the following resolution information.

	56Hz	60Hz	66Hz	70Hz	72Hz	75Hz
640x400				<input checked="" type="checkbox"/>		
640x480		<input checked="" type="checkbox"/>	<input checked="" type="checkbox"/>		<input checked="" type="checkbox"/>	<input checked="" type="checkbox"/>
800x600	<input checked="" type="checkbox"/>	<input checked="" type="checkbox"/>		<input checked="" type="checkbox"/>	<input checked="" type="checkbox"/>	<input checked="" type="checkbox"/>
832x624						<input checked="" type="checkbox"/>
1024x768		<input checked="" type="checkbox"/>	<input checked="" type="checkbox"/>	<input checked="" type="checkbox"/>	<input checked="" type="checkbox"/>	<input checked="" type="checkbox"/>
1152x864		<input checked="" type="checkbox"/>		<input checked="" type="checkbox"/>		<input checked="" type="checkbox"/>
1152x870						<input checked="" type="checkbox"/>
1280x768		<input checked="" type="checkbox"/>				<input checked="" type="checkbox"/>
1360x768		<input checked="" type="checkbox"/>				
1280x960		<input checked="" type="checkbox"/>				<input checked="" type="checkbox"/>
1280x1024		<input checked="" type="checkbox"/>				<input checked="" type="checkbox"/>
1400x1050		<input checked="" type="checkbox"/>				<input checked="" type="checkbox"/>
1440x900		<input checked="" type="checkbox"/>				<input checked="" type="checkbox"/>
1600x1200		<input checked="" type="checkbox"/>				
1680x1050		<input checked="" type="checkbox"/>				
1920x1080		<input checked="" type="checkbox"/>				

## DVD Mode

### Safety Information

#### CAUTION

DVD Player is a class 1 laser product. However this product uses a visible laser beam which could cause hazardous radiation exposure. Be sure to operate the player correctly as instructed.

**CLASS 1  
LASER PRODUCT**

#### RISK OF ELECTRIC SHOCK

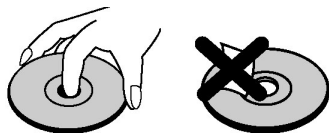
The lightning flash with arrowhead symbol, within an equilateral triangle, is intended to alert the user to the presence of uninsulated "dangerous voltage" within the product's enclosure that may be of sufficient magnitude to constitute a risk of electric shock of persons.

The exclamation point within an equilateral triangle is intended to alert the user to the presence of important operating and maintenance (servicing) instructions in the literature accompanying the appliance.

#### Notes on Discs

#### On handling discs

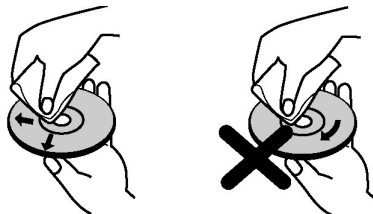
- To keep the disc clean, handle the disc by its edge. Do not touch the surface.
- Do not stick paper or tape on the disc.
- If the disc is contaminated with any substance like glue remove before using it.



- Do not expose the disc to direct sunlight or heat sources such as hot air ducts, or leave it in a car parked in direct sunlight as the temperature can rise quickly and damage the disc.
- After playing, store the disc in its case.

#### On cleaning

- Before playing, clean the disc with a cleaning cloth. Wipe the disc from the center out.



- Do not use solvents such as benzene, thinner, commercially available cleaners or anti-static spray intended for vinyl LPs.

#### Licence Notification

- This product incorporates copyright protection technology that is protected by U.S. patents and other intellectual property rights. Use of this copyright protection technology must be authorized by Rovi Corporation, and is intended for home and other limited viewing uses only unless otherwise authorized by Rovi Corporation. Reverse engineering and disassembly are prohibited.

#### How to Watch a DVD

When placing a disc into the loader, labeled side of the disc should be on the front.

When TV set is turned on, first switch to DVD source by using the **Source** button on the remote control. Press play on the remote control, or directly press play button at the front panel. If there is no disc inside the loader, place a DVD first and press play.

**Note:** If you switch to another source by pressing **Source**, **Swap** or **Programme +/-** buttons on the remote control, DVD playback will be paused automatically. You should press **Play** button and resume the playback manually when you switch to DVD mode.

#### DVD Control Panel Buttons

##### ▶ / || (Play / Pause)

Plays/pauses the disc. When DVD menu (root menu) is active, this button functions as "button select" (selects the highlighted item in menu) if this is not prohibited by the disc.

##### ■ / ▲ (Stop / Eject)

Stop playing disc / Eject or Load the disc.

Note:

- You cannot eject the disc via the remote control.
- While playing a file, you should press **STOP** button three times to eject.



### Basic Play

1. Press on the power button
2. Please insert a disc into the loader.

The disc will be automatically loaded and play will commence if the disc does not have any menus recorded on it.


A menu may appear on the TV screen after a few moments or the film may start immediately. This behaviour depends on the disc content and may change.

**Note:** Step 3 and 4 is available only when a menu is recorded on the disc.


3. Press **Down / Up / Left / Right** or the numeric button (s) to select the preferred title.
4. Press **OK**.

To confirm the selected items. The played item may be a motion picture, a still picture or another submenu depending on the disc.

### For your reference:

If an action corresponding to a button is prohibited the  symbol appears.

### Notes on Playback:

1. No sound will be heard during Rapid advance or Rapid reverse.
2. No sound will be heard during Slow motion play.
3. Reverse slow motion play may not be available depending on the dvd content.
4. In some cases, the subtitle language is not changed immediately to the selected one.
5. When the preferred language is not selected even after pressing the button several times, it means that the language is not available on the disc.
6. When the player is restarted or the disc is changed, the subtitle selection is automatically changed back to the initial settings.
7. If a language is selected, not supported by the disc, the subtitle language will automatically be set to the disc's priority language.
8. Usually a circulation will happen while switching to another language, that is you can cancel the subtitle by pressing this button a number of times until **"Subtitles Off"** appears on the screen.
9. When the power is turned on or the disc is removed, the language heard is the one selected at the initial settings. If this language is not recorded on the disc, only the available language on the disc will be heard.
10. Some DVDs may not contain root and/or title menus.
11. Reverse stepping is not available.
12. For your convenience:  
If you attempt to enter a number greater than the total time of the current title, the time search box disappears and  "Input Invalid" message appears on up-left corner of screen.
13. Slide Show is disabled when the ZOOM mode is on.

### Poor picture quality (DVD)

- Make sure the DVD disc surface is not damaged. (Scratch, fingerprint etc.)
- Clean the DVD disc and try again.

*See instructions described in "Notes on Discs" to clean your disc properly.*

- Ensure that the DVD disc is in the tray with the label facing upward.
- A damp DVD disc or condensation may effect the equipment. Wait for 1 to 2 hours in Stand-by to dry the equipment.

### Disc does not play

- No disc in the machine. Place a disc into the loader.
- Disc incorrectly loaded.

*Ensure that the DVD disc is in the tray with the label facing upward.*

- Wrong type of disc. The machine cannot play CD-ROMS etc. The region code of the DVD must match the player.

### Wrong OSD language

- Select the language in the set-up menu.
- The language for the sound or subtitles on a DVD cannot be changed.
- Multilingual sound and/or subtitles not recorded on the DVD.
- Try to change the sound or subtitles using DVD's title menu. Some DVD's do not allow the user to change these settings without using the disc's menu
- These functions are not available on the DVD.

### No picture

- Make sure you have pressed the correct buttons on the remote control. Try once more.

### No sound

- Check if volume is set to an audible level.
- Make sure the sound isn't turned off by mistake.





### Distorted sound

- Check that the appropriate listening mode setting is correct.

### If nothing works

If you have tried the above solutions and none seem to work, try switching your TV-DVD off and on again. If this does not work, contact your supplier or TV-DVD repair technician. Never attempt to repair a defective TV-DVD yourself.

## Disc Types Compatible with This Unit

Disc Types (Logos)	Recording Types	Disc Size	Max. Playing Time	Characteristics
	Audio + Video	12 cm	Single-sided; 240 min. Double-sided; 480 min.	<ul style="list-style-type: none"> <li>DVD contains excellent sound and video due to Dolby Digital and MPEG-2 System.</li> <li>Various screen and audio functions can be easily selected through the on screen menu.</li> </ul>
	Audio	12 cm	74 min.	<ul style="list-style-type: none"> <li>An LP is recorded as an analog signal with more distortion. CD is recorded as a Digital Signal with better audio quality, less distortion and less deterioration of audio quality over time.</li> </ul>
	Audio (xxxx.mp3)	12 cm	It depends on MP3 quality.	<ul style="list-style-type: none"> <li>MP3 is recorded as a Digital Signal with better audio quality, less distortion and less deterioration of audio quality over time.</li> </ul>
	Video (still picture)	12 cm	It depends on JPEG quality.	<ul style="list-style-type: none"> <li>JPEG is recorded as a Digital Signal with better picture quality over time.</li> </ul>

For proper operation, only 12 cm discs must be used.

## Specifications

<b>Types of Discs Supported</b>	<b>DVD:</b> SS/SL 4.7" (DVD-5) SS/DL 4.7" (DVD-9) DS/SL 4.7" (DVD-10) DS/DL 4.7" (DVD-18)	CD-DA CD-R CD-RW MP-3/JPEG
<b>Video Type</b>	MPEG-2 Video Standard Decoding (MPEG-1 supported) Full-Screen Video Display of 720 x 576 (PAL) & 720 x 480 (NTSC) pixels 50 and 60 Hz frame refresh rates (PAL & NTSC) Digital bit-stream processing rate up to 108Mbits/sec Line resolution more than 500 lines	
<b>Audio Type</b>	MPEG Multichannel Decoding LPCM	
<b>Audio Output</b>	<b>Analog Outputs:</b> 24 bit /48, 44.1kHz down-sampling DAC	



1. Standby
2. Numeric buttons
3. TV Menu
4. Navigation buttons
5. OK / Select
6. Back
7. Angle
8. Info
9. Display / DVD Menu
10. Zoom
11. Language selection
12. Subtitle
13. Rapid reverse
14. Play
15. Stop
16. Rapid advance
17. Pause
18. Root
19. Title
20. Repeat
21. Search mode
22. Source

**Note:** Buttons not indicated with a number are not functional in DVD mode.

## General DVD Operation (depending on model)

You can operate DVD, movie CD, music or picture CD's content by using the proper buttons on your remote control. Below are main functions of commonly used remote control buttons.

Buttons	DVD Playback	Movie Playback	Picture Playback	Music Playback
	Play	Play	Play	Play
	Pause	Pause	Pause	Pause
	Stop	Stop	Stop	Stop
	Skip backward/ forward	Skip backward/ forward	Rotate	Skip backward/forward
	Highlights a menu item / Shifts the zoomed picture up or down (if available).			
	Rapid advance / Rapid reverse			
<b>MEDIA BROWSER</b>	Views the scene from different angles (if available)		Changes slide effect (depends on the content)	X
<b>MY BUTTON 1</b>	Displays time / Views main setup menu			
<b>INFO</b>	Time counter mode selection (during playback). Press repeatedly to switch between modes.			
<b>LANGUAGE</b>	Auto language		X	X
<b>MENU</b>	Displays TV menu.			
<b>OK</b>	Enter / View / Play			
<b>GREEN BUTTON</b>	Displays repeat options.			
<b>RETURN/BACK</b>	Returns back to the previous menu (if available).			
<b>YELLOW BUTTON</b>	Goes back to the root folder (if available).			
<b>MY BUTTON 2 (*)</b>	Direct selection of scenes or time.		Selects the desired file.	Selects the desired file.
<b>SUBTITLES</b>	Subtitle on-off. Press repeatedly to switch between subtitle options.		X	X
<b>BLUE BUTTON</b>	Displays disc menu (if available).	Displays disc menu (if available).	X	X
<b>RED BUTTON</b>	Zooms picture. Press repeatedly to switch between zoom options.			

## Other Functions – Button Combinations (During playback)

	Slow forward
	Sets slow forward speed
	Sets rapid advance speed
	Sets rapid reverse speed
	Confirms stop command

(\*) You can switch to title by pressing numeric keys directly. You need to press 0 and then digit key to switch one digit titles (example: to select 5, press 0 and 5).

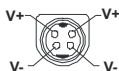
**Switching the TV On Using 12 Volt**

1. Connect the cigarette lighter plug cable into the cigarette lighter socket of your car.
2. Plug the other side of 12 volt cable into DC 12 socket on the back side of the TV. Then the standby LED will light up.
3. Press the **Standby** button, **Programme +/-** buttons or a numeric button on the remote control or press the middle of the control switch on the TV in. The TV will then switch on.
4. Adjust the antenna position for better reception or reinstall TV channels if necessary.

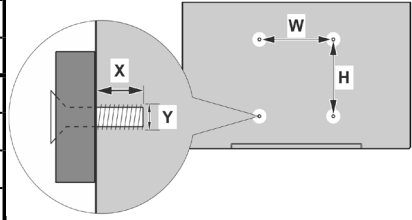
**Switching the TV Off**

1. Press the **Standby** button on the remote control or press the middle of the control switch on the TV in and hold it down for a few seconds, so the TV will switch into standby mode.
2. Unplug cable connectors and power plugs.

**ATTENTION: 12 V Input :**



VESA WALL MOUNT MEASUREMENTS			
B	Hole Pattern Sizes (mm)	W	H
		75	75
C Screw Sizes			
D	Length (X)	min. (mm)	5
		max. (mm)	8
E	Thread (Y)	M4	



	A	B	C	D	E
English	VESA WALL MOUNT MEASUREMENTS	Hole Pattern Sizes (mm)	Screw Sizes	Length (X)	Thread (Y)
Deutsch	MASSANGABEN FÜR VESA-WANDMONTAGE	Lochmustergrößen (mm)	Schraubengrößen	Länge (X)	Gewinde (Y)
Français	DIMENSIONS DU SUPPORT DE FIXATION MURALE VESA	Dimensions des modèles de trous de montage (mm)	Dimensions des vis	Longueur (X)	Filetage (Y)
Italiano	Misurazioni installazione a parete VESA	Dimensioni schema foro (mm)	Dimensioni vite	Lunghezza (X)	Filettatura (Y)
Português	MEDIÇÕES DE MONTAGEM MURAL VESA	Dimensões do molde de furação (mm)	Tamanhos do parafuso	Comprimento (X)	Rosca (Y)
Español	MEDIDAS DEL MONTAJE DE PARED VESA	Tamaños de patrón para agujero (mm)	Tamaños de tornillo	Longitud (X)	Rosca (Y)
Türkçe	VESA DUVARA MONTAJ APARATI ÖLÇÜLERİ	Açılacak Delik Ölçüleri (mm)	Vida Ölçüleri	Uzunluk (X)	Yüzey (Y)
Ελληνικ	ΔΙΑΣΤΑΣΕΙΣ ΒΑΣΗΣ ΤΟΙΧΟΥ VESA	Μεγέθη σχήματος οπών (mm)	Μεγέθη βιδών	Μήκος (X)	Σπείρωμα (Y)
Polski	WYMIARY DO MONTAŻU NAŚCIENNEGO VESA	Rozmiary szablonu otworów (mm)	Rozmiary wkrętów	Długość (mm)	Gwint (Y)
čeština	ROZMĚRY DRŽÁKU NA ZĚD VESA	Rozměry velikosti děr (mm)	Rozměry šroubů	Délka (X)	Závit (Y)
Magyar	VESA FALI TARTÓ MÉRETEK	Lyukak méretének nagyságát (mm)	Csavar méret	Hossz (X)	Menet (Y)
Română	MĂSURĂTORII SUPOORT PERETE VESA	Dimensiuni tipar gaură (mm)	Dimensiuni șuruburi	Lungime (X)	Filet (Y)
Svenska	VESA VÄGGMONTERINGSMÅTT	Hålmonsterstorlekar (mm)	Skrustorlekar	Längd (X)	Tråd (Y)
Nederlands	VESA WANDMONTAGE METINGEN	Grootte booropening (mm)	Schroefgrootte	Lengte (X)	Draad (Y)
Suomi	VESA-SEINÄASENNUKSEN MITAT	Reikäkuivon koot (mm)	Ruuvinkoot	Pituus (X)	Kierre (Y)
Norsk	VESA VEGGMONTERINGSMÅL	Hullmønster størrelser (mm)	Skruestørrelser	Lengde (X)	Tråd (Y)
Dansk	VESA VÆGMONTERINGS-MÅL	Hullmønster-størrelser (mm)	Skruestørrelser	Længde(X)	Tråd (Y)
Русский	РАЗМЕРЫ НАСТЕННОГО КРЕПЛЕНИЯ VESA	Размеры системы отверстий	Размеры винтов	Длина(X)	Резьба (Y)
беларуская	ПАМЕРЫ НАСЦЕННАГА МАЦАВАННЯ VESA	Памеры сістэмы адтулін	Памеры вінтоў	Даўжыня (X)	Рэзьба (Y)
македонски	МЕРКИ ЗА МОНТИРАЊЕ НА СИД ЗА „VESA“	Шема на големини на дупката (mm)	Големина на шрафот	Должина (X)	Навој (Y)
український	РОЗМІРИ НАСТІННОГО КРІПЛЕННЯ VESA	Відстань між кріпильними отворами, мм	Розміри гвинтів	Довжина (X)	Діаметр різьби (Y)
Srpski	DIMENZIJE VESA ZIDNOG NOSAČA	Dimenzije šablona za bušenje	Dimenzije zavrtnjeva	Dužina (X)	Navoj (Y)
Slovenčina	ROZMERY DRŽÁKA NA STENU VESA	Rozmery veľkosti dier (mm)	Rozmery skrutiek	Dĺžka (X)	Závit (Y)
Slovenščina	MERE STENSKEGA NOSILCA VESA	Velikosti vzorca lukenj (mm)	Velikosti vijakov	Dožina (X)	Navoj (Y)
Hrvatski	VESA MJERE ZIDNOG DRŽAČA	Veličine uzorka otvora (mm)	Veličine vijaka	Dužina (X)	Navoji (Y)
Bosanski	DIMENZIJE VESA ZIDNOG NOSAČA	Dimenzije šablona za bušenje	Dimenzije vijaka	Dužina (X)	Navoj (Y)
Български	РАЗМЕРИ ЗА КОМПЛЕКТ ЗА МОНТАЖ НА СТЕНА VESA	Размери на отвора (mm)	Размер на болта	Дължина (X)	Резба (Y)
Lietuvių	VESA TVIRTINIMO PRIE SIENOS MATAVIMAI	Angos šablono dydis (mm)	Varžtų dydis	Ilgis (X)	Sriegis (Y)
Latviešu	VESA SIENAS STIPRINĀJUMA IZMĒRI	Caurumu šablona izmērs (mm)	Skrūvju izmēri	Garums (X)	Vītne (Y)
Eesti	VESA SEINALE KINNITAMISE MÕÖDUD	Kruvi suuruse mõõt (mm)	Kruvi suurus	Kõrgus(X)	Keere (Y)
Shqip	PËRMASAT E NJËSISË SË MONTIMIT NË MUR VESA	Madhësitë modele të vrimave (mm)	Madhësitë e vidhave	Gjatësia (X)	Filetimi (Y)
عربی	مقاييس تثبيت على الجدار VESA	أحجام الثقوب (مم)	أحجام البراغي	الطول (X)	النس (Y)
עברית	מידות מתקן התלייה על הקיר מסוג VESA	גודל תבנית החורים (מ"מ)	גודל הברגים	אורך (X)	תברג (Y)
فارسی	اندازه گیری اتصال نیواری VESA	اندازه های گوی سوراخ (میلی متر)	اندازه های پیچ	طول (X)	رشته (Y)

A	Product Fiche		
B	Commercial Brand:SALORA		
C	Product No.	10114791	
D	Model No.	24LED9109CTS2DVD	
E	Energy efficiency class	A+	
F	Visible screen size (diagonal,approx.) (inch/cm)	24 inches	61 cm
G	On mode average power consumption (Watt)	19	
H	Annual energy consumption (kWh/annum)	27	
I	Standby power consumption (Watt)	0,5	
J	Off mode power consumption (Watt)	0	
K	Display resolution (px)	1366x768	

	A	B	C	D	E	F
English	Product Fiche	Commercial Brand	Product No.	Model No.	Energy efficiency class	Visible screen size (diagonal, approx.) (inch/cm)
Deutsch	Produkt-Datenblatt	Markenzeichen	Produkt-Nr.	Modell-Nr.	Energieeffizienzklasse	Sichtbare Bildschirmgröße (diagonal, ca.) (Zoll /cm)
عربي	فأش المنتج	العلامة التجارية: تلوونكن	رقم المنتج	رقم الموديل	فئة كفاءة الطاقة	حجم الشاشة المرئية (قطري) (إنش/سم)
Български	Справочен лист с техническите данни	Търговска марка	Продукт №	Модел №	Клас на енергийна ефективност	Видим размер на екрана (диагонал,прибл.) (инча /cm )
čeština	Produktový list	Značka výrobce	Číslo produktu	Model č.	Energetická třída	Viditelná velikost obrazovky (úhlopříčka, příbl.) (palců /cm)
Dansk	Produktoplysningsskema	Varemærke	Produktnr.	Model nr.	Energieeffektivitetsklasse	Synlig skærmstørrelse (diagonal, ca.) (HK/cm)
Suomi	Tuote fiche	Kaupallinen merkki	Tuote nro.	Malli nro.	Virran tehokkuusluokka	Näkyvän kuvaruudun koko (diagonaalinen, n.) (tuuma/cm)
Français	Fiche du produit	Marque commerciale	Produit N°	Modèle N°	Classe d'efficacité énergétique	Taille d'écran visible (diagonale, approx.) (pouces/cm)
Hrvatski	SAŽETAK PROIZVODA	Trgovačka marka	Br. proizvoda	Br. modela	Klasa energetske učinkovitosti	Vidljiva veličina ekrana (dijagonalna, približno) (inča/cm)
Nederlands	Productfiche	Commercieel merk.	Productnr.	Modelnr.	Energie efficiënte klasse	Zichtbare schermgrootte (diagonal, ca.) (inches/cm)
Español	Ficha del Producto	Marca Comercial	Nº de Producto	Nº de Modelo	Clasificación Energética	Tamaño de pantalla visible (diagonal, approx.) (pulgadas/cm)
Svenska	Produktspecifikation	Varumärke	Produktnr.	Modellnr.	Energiklass	Synlig skärmstorlek (diagonal, ungefärlig) (tum/cm)
Italiano	Scheda prodotto	Marchio commerciale	Numero prodotto	Numero modello	Classe di efficienza energetica	Dimensioni visibili dello schermo (diagonale, circa/pollici/cm)
Polski	KARTA PRODUKTU	Marka produktu	Nr produktu	Nr modelu	Klasa efektywności energetycznej	Widoczny obraz ekranu (przekątna, około) (cal/cm)
Magyar	Terméksimertető adatai	Kereskedelmi márka	Termékszám	Modellszám	Energiatahatékonyági osztály	Látható képtartomány (diagonális, kb.) (inches/cm)
Norsk	Produktinformasjon	Kommersiell merkevare	Produkt nr.	Modell nr.	Energieeffektivitet klasse	Synlig skjermstørrelse (diagonal, ca.) (tommer/cm)
Português	Ficha do produto	Marca Comercial	Produto N°	Modelo N°	Classificação eficiência energética	Tamanho ecrã visível (diagonal, approx.) (polegadas/cm)
Română	Fișă produs	Marcă comercială	Nr. Produs	Nr. Model	Clasa de eficiență energetică	Dimensiunea ecranului vizibil (diagonală, aprox.) (inch/cm)
Русский	Справочный листок технических данных изделия	Торговая марка	Номер изделия	Номер модели	Класс энергопотребления	Видимый размер экрана (по диагонали, приблизительно) (дюймов/см)
беларуская	Справочны лістак тэхнічных даных іздзяння	Торговая марка	Номер іздзяння	Номер модели	Класс энергопотребления	Відимый размер экрана (по диагонали, Оклоно/двоймов/см )
македонски	Технички податоци	Комерцијална марка	Производ бр.	Модел бр.	Класа на енергетска ефикасност	Големина на видлив екран (дигјонална, околу) (инчи/см)
український	Технічні дані	Кормейшна марка	Артикул	Модель	Клас енергоспоживання	Видимий розмір екрана (діагональ, приблизно) (дюйми/см)
Srpski	Tehničke odlike	Komercijalna marka	Proizvod br.	Model br.	Klasa energetske efikasnosti	Većičina vidljivog ekrana (dijagonalna, tokom) (inča/cm)
Slovenčina	Produktový list	Značka výrobcu	Číslo produktu	Model č.	Energetická trieda	Viditeľná veľkosť obrazovky (uhlopriečka, zhruba) (palcov/cm)
Slovenščina	Opis izdelka	Komercialna znamka	Št. Izdelka	Št. Modela	Razred energetske učinkovitosti	Vidna velikost zaslona (diagonalna, pribl.) (palcev/cm)
Ελληνικ	Δελτίο προϊόντος	Εμπορικό σήμα	Αρ. Προϊόντος	Αρ. Μοντέλου	Κατηγορία ενεργειακής απόδοσης	Ορατό μέγεθος οθόνης (διαγώνιος, περί.) (ίντσες/σν)
Bosanski	Tehnički podaci	Komercijalna marka	Produkt br.	Model br.	Klasa energetske efikasnosti	Vidljiva veličina ekrana (diagonalna, približno) (inča/cm)
עברית	מידות המוצר	חברת המוצר	מס' מוצר	מס' דגם	סיווג יעילות אנרגטית	גודל מסך גלוי (אלכסוני/אינץ') (אינץ') (inč/cm)
Türkçe	Ürün fişi	Ticari Marka	Ürün No.	Model No.	Enerji verimliliği sınıfı	Görülen ekran boyutu (gaparaz, yakışık) (inç/cm)
Shqip	Të dhënat e produktit	Marka tregtare	Nr. i produktit.	Nr. i modelit.	Klasa e efikasncës së energjisë	Madhësia e ekranit të dukshëm (diagonal, afërsisht) (inç/cm)
Lietuvių	Gaminio etiketė	Gaminiojas	Gaminio Nr.	Modelio Nr.	Energetinio efektyvumo klasė	Matomas ekrano dydis (įstrižainė, approx.) (colų/cm)
Latviešu	Produkta apraksts	Marka	Produkta nr.	Modeļa nr.	Energoefektivitātes klase	Ekrāna izmērs (pa diagonāli, aptuveni) (colas/cm)
Eesti	TOOTEKIRJELDUS	Tootja firma	Toote nr.	Mudeli nr.	Energiklass	Vaadatava ekrani suurus (diagonaal, umbes) (ollu/cm)
فارسی	مشخصات محصول	سازگار تجاری	شماره محصول	شماره مدل	گروه کارایی انرژی	اندازه صفحه قابل مشاهده (قطری) (اینچ) (اینچ/سانتی متر)

	G	H	I	J	K
English	On mode average power consumption (Watt)	Annual energy consumption (kWh/annum)	Standby power consumption (Watt)	Off mode power consumption (Watt)	Display resolution (px)
Deutsch	Durchschnittlicher Stromverbrauch im eingeschalteten Zustand (Watt)	Jährlicher Energieverbrauch (kWh/Jahr)	Standby-Stromverbrauch (Watt)	Stromverbrauch im ausgeschalteten Zustand (Watt)	Display-Auflösung (px)
عربي	متوسط استهلاك الطاقة عند التشغيل (وات)	الاستهلاك السنوي للطاقة (كيلوواط ساعة)	استهلاك الطاقة في وضع الاستعداد (وات)	استهلاك الطاقة في وضع الإيقاف (وات)	وضوح الشاشة (بكسل)
Български	Средна консумация на електроенергия във включено състояние (Watt)	Годишна консумация на електроенергия (kWh/Годишна)	Консумация на електроенергия в режим на готовност (Watt)	Консумация на електроенергия в изключено състояние (Watt)	Разделителна способност на дисплея (пиксела)
čeština	Přůměrná spotřeba elektrické energie v zapnutém režimu (Wattů)	Roční spotřeba energie (kWh/Roční)	Spotřeba elektrické energie v pohotovostním režimu (Wattů)	Spotřeba elektrické energie ve vypnutém režimu (Wattů)	Rozlišení displeje (px)
Dansk	Gennemsnitligt strømforbrug i tændt tilstand (Watt)	Årligt energiforbrug (kWh/Årligt)	Strømforbrug (standby)(Watt)	Strømforbrug i slukket tilstand (Watt)	Skærmopløsning (px)
Suomi	Päällä-tilan keskimääräinen virrankulutus (Wattia)	Vuositittainen sähkönkulutus (kWh/Vuositainen)	Vakiovirran kulutus (Wattia)	Pois-tilan virrankulutus (Wattia)	Näytön erotelukyky (piksella)
Français	Consommation énergétique moyenne en mode "marche" (Watt)	Consommation énergétique annuelle (kWh/annuel)	Consommation d'énergie en veille (Watt)	Consommation d'énergie en mode "arrêt" (Watt)	Résolution de l'écran (px)
Hrvatski	Prosječna potrošnja el. energije kada je proizvod uključen (Watta)	Godišnja potrošnja el. Energije (kWh/Godišnja)	Potrošnja el. energije u modu pripravnosti (Watta)	Potrošnja el. energije kada je proizvod isključen (Watta)	Rezolucija zaslona (piksela)
Nederlands	Aan-modus gemiddeld stroomverbruik (Watt)	Jaarlijks energiegebruik (kWh/Jaarlijks)	Stand-by stroomverbruik (Watt)	Uit-modus stroomverbruik (Watt)	Schemeresolutie (px)
Español	Consumo eléctrico medio, en funcionamiento (Vatio)	Consumo eléctrico anual (kWh/año)	Consumo en modo en espera (Vatio)	Consumo eléctrico modo apagado (Vatio)	Resolución de pantalla (px)
Svenska	Strömkonsumtion i PA-läge (Watt)	Energikonsumtion per år (kWh/Årlig)	Strömkonsumtion i viloläge (Watt)	Strömkonsumtion i AV-läge (Watt)	Skärmupplösning (pixlar)
Italiano	Consumo di corrente media da accesa (Watt)	Consumo annuale di energia (kWh/annuo)	Consumo di corrente in modalità standby (Watt)	Consumo di corrente da spenta (Watt)	Risoluzione del display (px)
Polski	Średnie zużycie energii w trybie włączonym (Watów)	Roczne zużycie energii (kWh/Roczne)	Średnie zużycie energii w trybie oczekiwania (Watów)	Zużycie energii w trybie wyłączonym (Watów)	Rozdzielczość obrazu (pikseli)
Magyar	Energiafogyasztás bekapcsolva hagyott üzemmódban (Watt)	Éves energiafogyasztás (kWh/Éves)	Energiafogyasztás standby üzemmódban (Watt)	Energiafogyasztás kikapcsolt üzemmódban (Watt)	Képernyőfelbontás (px)
Norsk	Påmodus gjennomsnittlig strømforbruk (Watt)	Årlig strømförbruk (kWh/Årlig)	Hvilemodus strømforbruk (Watt)	Av-modus strømforbruk (Watt)	Skjermoppløsning (piksel)
Português	Consumo energia em modo médio (Watt)	Consumo anual energia (kWh/anual)	Consumo energia em stand-by (Watt)	Consumo energia em modo alimentação (Watt)	Resolução do visor (pixel)
Română	Consum electric mediu în modul pornit (Watt)	Consum anual de energie (kWh/anual)	Consum electric în stare de repaus (Watt)	Consum electric în modul oprit (Watt)	Rezoluția ecranului (pixeli)
Русский	Средний расход энергии в режиме включения (ватт)	Ежегодный расход энергии (кВтч/Год)	Расход энергии в режиме ожидания (ватт)	Расход энергии в режиме выключения (ватт)	Разрешение экрана (пикселей)
беларуская	Средні расход энергіі в рэжыме ўключэння (ват)	Ежгодны расход энергіі (кВтг/гадавое)	Расход энергіі в рэжыме ачакання (ват)	Расход энергіі в рэжыме выключэння (ват)	Разрешэнне экрана (піксель)
македонски	Процена потрошувачка кога е вклучен	Годишна потрошувачка на енергија (kWh/Годишна)	Потрошувачка во мирување (вати)	Потрошувачка кога е исклучен (вати)	Резолуција на екран (писелси)
український	Середня споживана потужність у робочому режимі (Вт)	Середньорічна споживана потужність (кВтГ/Річне)	Споживана потужність у режимі очікування (Вт)	Споживана потужність у виключеному стані (Вт)	Роздільна здатність екрана (пікселів)
Srpski	Prosječna potrošnja kada je uključen (Vati)	Godišnja potrošnja energije (kWh/Godišnja)	Potrošnja tokom mirovanja (Vati)	Potrošnja kada je isključen (Vati)	Rezolucija displeja (piks.)
Slovenčina	Priemerná spotreba elektrickej energie v zapnutom režime (Wattov)	Ročná spotreba energie (kWh/Ročná)	Spotreba elektrickej energie v pohotovostnom režime (Wattov)	Spotreba elektrickej energie vo vypnutom režime (Wattov)	Rozlišenie displeja (pixl.)
Slovensčina	Poraba električne energije v povprečnem načinu (Wattov)	Letna poraba energije (kWh/Letna)	Poraba energije v stanju pripravljenosti (Wattov)	Poraba energije načnu izklopa (Wattov)	Resolucija zaslona (piks.)
Ελληνικ	Μέση καταπόληση ρεύματος λειτουργίας (Watt)	Ετήσια καταπόληση ενέργειας (kWh/Ετήσια)	Καταπόληση ρεύματος στην αναμονή (Watt)	Καταπόληση ρεύματος σε απενεργοποίηση (Watt)	Ανάλυση οθόνης (Πίξελ)
Bosanski	Prosječna potrošnja kada je uključen (Watt)	Godišnja potrošnja energije (kWh/Godišnja)	Potrošnja tokom mirovanja (Watt)	Potrošnja kada je isključen (Watt)	Rezolucija ekrana (piks.)
עברית	צריכת חשמל ממוצעת במצב מופעל (ואט)	צריכת חשמל שנתי (קוט"ש/שנתי)	צריכת חשמל במצב המתנה (ואט)	צריכת חשמל ממוצעת במצב כבוי (ואט)	רזולוציית תצוגת הפיקסל
Türkçe	Açık moddaki ortalama güç tüketimi (Watt)	Yıllık enerji tüketimi (kWh/yıllık)	Bekleme durumunda enerji tüketimi (Watt)	Kapalı moddaki güç tüketimi (Watt)	Ekran çözünürlüğü (piks.)
Shqip	Konsumi mesatar i energjisë si i ndezur (Watt)	Konsumi vjetor i energjisë (kWh/vjetor)	Konsumi i energjisë si në gatishmëri (Watt)	Konsumi i energjisë si i fikur (Watt)	Rezolucioni i ekranit (piks.)
Lietuvių	Vidutinės energijos sąnaudos įjungus (Vatai)	Metinės energijos sąnaudos (kWh/Metinės)	Energijos sąnaudos budėjimo režimu (Vatai)	Energijos sąnaudos išjungus (Vatai)	Ekran skiriamoji geba (pikselių)
Latviešu	Enerģijas patēriņš aktīvā režīmā (Vati)	Gada enerģijas patēriņš (kWh/gada)	Enerģijas patēriņš gaidīšanas režīmā (Vati)	Enerģijas patēriņš izslēgtā stāvoklī (Vati)	Displeja rezolūcija (pikseliem)
Eesti	Keskmine energiakuulu töörežiimil (Vatti)	Aastane energiakuulu (kWh/aastane)	Energiakuulu ooterežiimil (Vatti)	Energiakuulu väljalülitatud olekus (Vatti)	Ekraani resolutsioon (piksilit)
فارسی	میزان متوسط مصرف برقی در حالت فعال (وات)	میزان انرژی مصرفی در سال (کیلووات ساعت/ایر سال)	مصرف برقی حالت آماده به کار (وات)	میزان مصرف برقی در حالت غیرفعال (وات)	وضوح نمایش (پیکسل)



- TR:** İşbu belgede; VESTEL Elektronik Sanayi ve Ticaret A.Ş., telsiz ekipmanı tipi TFT IDTV 'nin 2014/53/AB sayılı direktife uygun olduğunu beyan eder. AB uygunluk beyanının tam metni internet adresinde mevcuttur: doc.vosshub.com
- EN:** Hereby, VESTEL Elektronik Sanayi ve Ticaret A.Ş., declares that the radio equipment type TFT IDTV is in compliance with Directive 2014/53/EU. The full text of the EU declaration of conformity is available at the following internet address: doc.vosshub.com
- BG:** С настоящото VESTEL Elektronik Sanayi ve Ticaret A.Ş., декларира, че този тип радиосъоръжение TFT IDTV е в съответствие с Директива 2014/53/ЕС. Цялостният текст на ЕС декларацията за съответствие може да се намери на следния интернет адрес: doc.vosshub.com
- CZ:** Tímto VESTEL Elektronik Sanayi ve Ticaret A.Ş., prohlašuje, že typ rádiového zařízení TFT IDTV je v souladu se směrnicí 2014/53/EU. Úplně znění EU prohlášení o shodě je k dispozici na této internetové adrese: doc.vosshub.com
- DA:** Hermed erklærer VESTEL Elektronik Sanayi ve Ticaret A.Ş., at radioudstyrstypen TFT IDTV er i overensstemmelse med direktiv 2014/53/EU. EU-overensstemmelseserklæringens fulde tekst kan findes på følgende internetadresse: doc.vosshub.com
- DE:** Hiermit erklährt VESTEL Elektronik Sanayi ve Ticaret A.Ş., dass der Funkanlagentyp TFT IDTV der Richtlinie 2014/53/EU entspricht. Der vollständige Text der EU-Konformitätserklärung ist unter der folgenden Internetadresse verfügbar: doc.vosshub.com
- EL:** Με την παρούσα ο/η VESTEL Elektronik Sanayi ve Ticaret A.Ş., δηλώνει ότι ο ραδιοεξοπλισμός TFT IDTV πληροί την οδηγία 2014/53/ΕΕ. Το πλήρες κείμενο της δήλωσης συμμόρφωσης ΕΕ διατίθεται στην ακόλουθη ιστοσελίδα στο διαδίκτυο: doc.vosshub.com
- ES:** Por la presente, VESTEL Elektronik Sanayi ve Ticaret A.Ş., declara que el tipo de equipo radioeléctrico TFT IDTV es conforme con la Directiva 2014/53/UE. El texto completo de la declaración UE de conformidad está disponible en la dirección Internet siguiente: doc.vosshub.com
- ET:** Käesolevaga deklareerib VESTEL Elektronik Sanayi ve Ticaret A.Ş., et käesolev raadioseadme tüüp TFT IDTV vastab direktiivi 2014/53/EL nõuetele. ELi vastavusdeklaratsiooni täielik tekst on kättesaadav järgmisel internetiaadressil: doc.vosshub.com
- FI:** VESTEL Elektronik Sanayi ve Ticaret A.Ş., vakuuttaa, että radiolaitetyypin TFT IDTV on direktiivin 2014/53/EU mukainen. EU-vaatimustenmukaisuusvakuutuksen täysimittainen teksti on saatavilla seuraavassa internetosoitteessa: doc.vosshub.com
- FR:** Le soussigné, VESTEL Elektronik Sanayi ve Ticaret A.Ş., déclare que l'équipement radioélectrique du type TFT IDTV est conforme à la directive 2014/53/UE. Le texte complet de la déclaration UE de conformité est disponible à l'adresse internet suivante: doc.vosshub.com
- HR:** VESTEL Elektronik Sanayi ve Ticaret A.Ş., ovime izjavljuje da je radijska oprema tipa TFT IDTV u skladu s Direktivom 2014/53/EU. Cjeloviti tekst EU izjave o skladnosti dostupan je na sljedećoj internetskoj adresi: doc.vosshub.com
- HU:** VESTEL Elektronik Sanayi ve Ticaret A.Ş., igazolja, hogy a TFT IDTV típusú rádióberendezés megfelel a 2014/53/EU irányelvnek. Az EU-megfelelőségi nyilatkozat teljes szövege elérhető a következő internetes címen: doc.vosshub.com
- IT:** Il fabbricante, VESTEL Elektronik Sanayi ve Ticaret A.Ş., dichiara che il tipo di apparecchiatura radio TFT IDTV è conforme alla direttiva 2014/53/UE. Il testo completo della dichiarazione di conformità UE è disponibile al seguente indirizzo Internet: doc.vosshub.com
- LT:** Aš, VESTEL Elektronik Sanayi ve Ticaret A.Ş., patvirtinu, kad radio įrenginių tipas TFT IDTV atitinka Direktyvą 2014/53/ES. Visas ES atitikties deklaracijos tekstas prieinamas šiuo interneto adresu: doc.vosshub.com
- LV:** Ar šo VESTEL Elektronik Sanayi ve Ticaret A.Ş., deklarē, ka radioiekārta TFT IDTV atbilst Direktīvai 2014/53/ES. Pilns ES atbilstības deklarācijas teksts ir pieejams šādā interneta vietnē: doc.vosshub.com
- MT:** B'dan, VESTEL Elektronik Sanayi ve Ticaret A.Ş., niddikjara li dan it-tip ta' tagħmir tar-radju TFT IDTV huwa konformi mad-Direttiva 2014/53/UE. It-test kollu tad-dikjarazzjoni ta' konformità tal-UE huwa disponibbli f'dan l-indirizz tal-Internet li ġej: doc.vosshub.com
- NL:** Hierbij verklaar ik, VESTEL Elektronik Sanayi ve Ticaret A.Ş., dat het type radioapparaat TFT IDTV conform is met Richtlijn 2014/53/EU. De volledige tekst van de EU-conformiteitsverklaring kan worden geraadpleegd op het volgende internetadres: doc.vosshub.com
- PL:** VESTEL Elektronik Sanayi ve Ticaret A.Ş., niniejszym oświadczam, że typ urządzenia radiowego TFT IDTV jest zgodny z dyrektywą 2014/53/UE. Pełny tekst deklaracji zgodności UE jest dostępny pod następującym adresem internetowym: doc.vosshub.com
- PT:** O(a) abaixo assinado(a) VESTEL Elektronik Sanayi ve Ticaret A.Ş., declara que o presente tipo de equipamento de rádio TFT IDTV está em conformidade com a Diretiva 2014/53/UE. O texto integral da declaração de conformidade está disponível no seguinte endereço de Internet: doc.vosshub.com
- RO:** Prin prezenta, VESTEL Elektronik Sanayi ve Ticaret A.Ş., declară că tipul de echipamente radio TFT IDTV este în conformitate cu Directiva 2014/53/UE. Textul integral al declarației UE de conformitate este disponibil la următoarea adresă internet: doc.vosshub.com
- SK:** VESTEL Elektronik Sanayi ve Ticaret A.Ş., týmto vyhlasuje, že rádiové zariadenie typu TFT IDTV je v súlade so smernicou 2014/53/EÚ. Úplné EÚ vyhlásenie o zhode je k dispozícii na tejto internetovej adrese: doc.vosshub.com
- SL:** VESTEL Elektronik Sanayi ve Ticaret A.Ş., potrjuje, da je tip radijske opreme TFT IDTV skladen z Direktivo 2014/53/EU. Celotno besedilo izjave EU o skladnosti je na voljo na naslednjem spletnem naslovu: doc.vosshub.com
- SV:** Härmed försäkrar VESTEL Elektronik Sanayi ve Ticaret A.Ş., att denna typ av radioutrustning TFT IDTV överensstämmer med direktiv 2014/53/EU. Den fullständiga texten till EU-försäkran om överensstämmelse finns på följande webbadress: doc.vosshub.com