

* 48 inch



* All images are for illustrative purposes only.

Commercial TV ES961H (EU)

4K OLED Hospitality TV with Pro:Centric Solutions

Full Design Experience

TV furniture is no more necessary. ES961H can naturally blend into your space with elegant and stylish gallery design.



Pro:Centric Solutions



Voice Recognition



webOS

LG OLED Self-lit

LG Hospitality TV is unique thanks to its self-lit technology. Millions of OLED pixels come together to deliver the next level of TV. Enjoy the deep black, the rich colors and the vivid picture quality.

The Panel Depth
(Only Top of the TV
Panel Based)

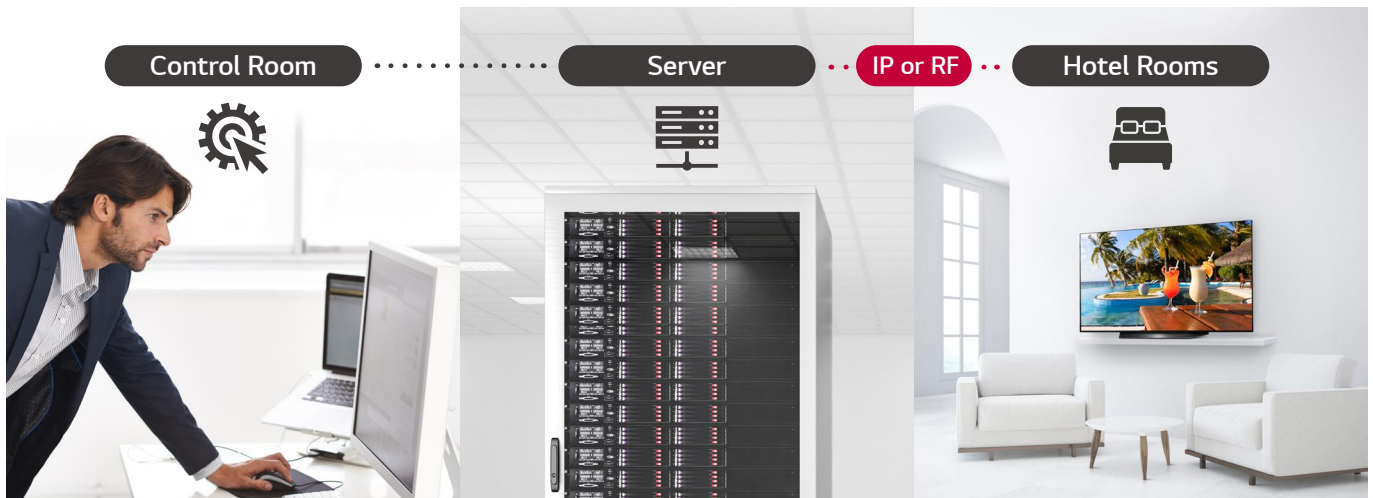
3.9 mm

A Stylish Room Addition

The ultra-thin wallpaper display adds more elegance and style to your rooms where you choose to place it. The TV stands beautifully in the middle of hospitality interior and delivers an immersive viewing experience for every piece of content.

* All images are for illustrative purposes only.

Pro:Centric HOTEL MANAGEMENT SOLUTION



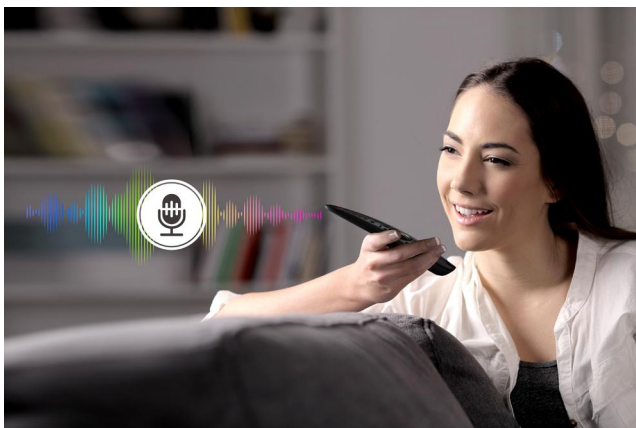
* Image shown is for illustrative purpose only.

Pro:Centric Direct

The hotel content management solution Pro:Centric Direct offers easy and simple editing tools, making it easy to perform service and IP network-based remote management. The Pro:Centric Direct solution enables users to easily edit their interface by providing a customized interface and efficiently manages TVs in the rooms. The current PCD version provides IoT-based in-room control as well as a voice control function through LG Natural Language Processing (NLP). These IoT and voice-related functions will be your starting point to prepare for the hotel rooms of the next generation through artificial intelligence.

* Some devices may have limited compatibility with the IoT and Voice Control function.

VALUE ADDED FEATURES

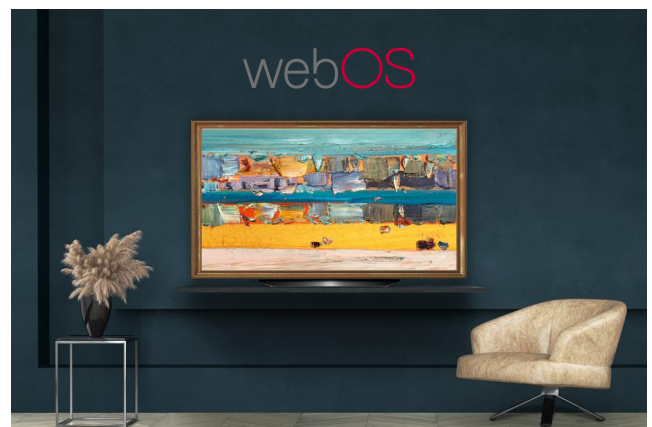


* Image shown is for illustrative purpose only.

Voice Recognition

From seamless interaction to consistent user experience, LG is going one step further to lead the commercial TV market by including voice recognition, allowing users to easily control LG TVs. Our stable and dependable solutions based on webOS and Pro:Centric Direct will significantly enhance the competitiveness of our products and services, helping you achieve a successful business in the future.

* Magic Motion Remote is required (sold separately)



* Image shown is for illustrative purpose only.

More Innovative LG webOS 5.0

Explore the latest LG Smart TV features. Newly added Mood Display & Gallery modes enable you to utilize the TV as a customized clock and a piece of artwork which harmonizes with your space and life.

* All images are for illustrative purposes only.

PRODUCT INFORMATION

* 48 inch



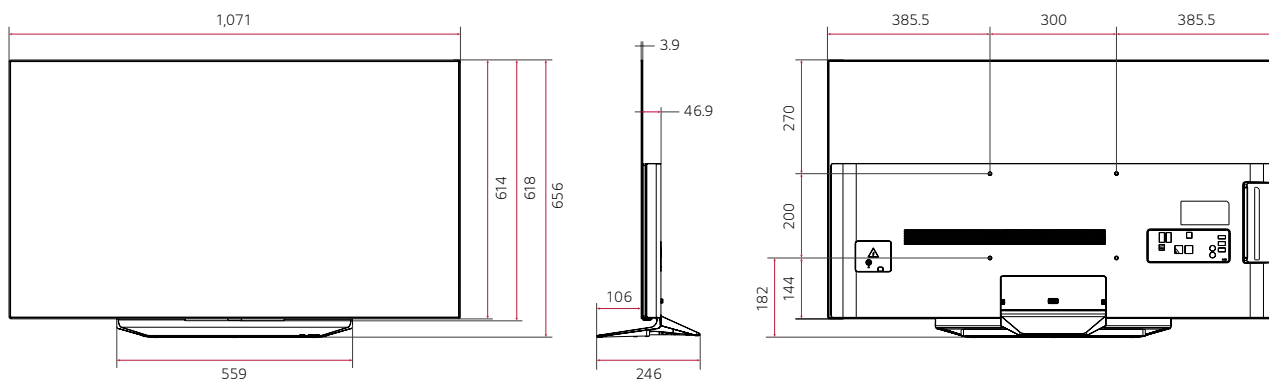
ES961H (EU)

Design	Stand Type	1 Pole (Fixed)
Display	Inch	48"
	Resolution	3,840 × 2,160 (UHD)
	Type	OLED
Broadcasting System	Digital	DVB - T2 / C / S2
	Analog	PAL
Solution	Pro:Centric (Smart, Direct, V), Quick Menu	

DIMENSION

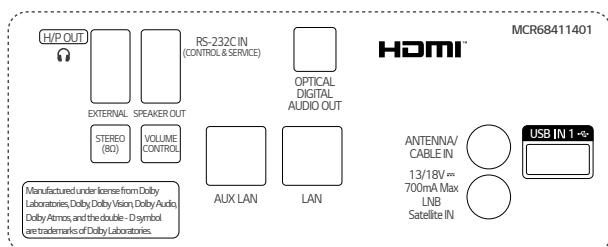
(unit: mm)

48"



CONNECTIVITY

Rear



Side



* Dimensions & Jack Panels may differ from the above image, so please contact LG sales team to verify before ordering.



Download
LG C-Display+
Mobile App
Google Play Store

- www.lg.com/global/business/information-display
- www.youtube.com/c/LGCommercialDisplay
- www.facebook.com/LGInformationDisplay
- www.linkedin.com/company/lginformationdisplay
- twitter.com/LG_ID_HQ

LG may make changes to specifications and product descriptions without notice. Copyright © 2020 LG Electronics Inc. All rights reserved. "LG Life's Good" is a registered trademark of LG Corp. The names of products and brands mentioned here may be the trademarks of their respective owners.

