

Dismantling information

The document is intended for use by end-of-life recyclers or treatment facilities. It provides the basic instructions for the disassembly of LG products to remove components and materials requiring selective treatment.

Product Identification

Type of Product	LED TV
Model name	US76 Series, UT76 Series This document covers derivation model 49/55/65US76#####, 49/55/65UT76##### which has same conceptual design and dismantling process

Displays must be stored in accordance with the requirements stipulated in Appendix VIII (1) or (2) of Directive 2012/19/EU and must, amongst other things, be stored in a weatherproof manner. Containers with covers must be used when storing and transporting the Displays.

Contents

- 1. Materials and components for Selective Treatment**
- 2. Tools Required**
- 3. Product Dismantling Process**



1. Materials and components for Selective Treatment

Displays may contain hazardous substances like Pb and BFRs which are covered by exemptions under the RoHS directive. However, the majority is present in the PCB assembly. In order to reduce emissions as much as possible, a complete disposal of the old appliance is required. This treatment may only be performed in authorized handling plants.

Materials and components	Notes	Included
Printed Circuit Boards (PCB) or Printed Circuit Assemblies (PCA)	With a surface greater than 10 square cm	○ (main, power, T-con, IR, Wi fi)
Batteries	For Remote control	○
	Internal coin batteries	○
Mercury containing components	display backlights	-
Liquid Crystal Displays (LCD) with a surface greater than 100 square cm (or OLED module for OLED TV)	Includes background illuminated displays with gas discharge lamps	○
Capacitors / condensers (Containing PCB / PCT)		-
Electrolytic Capacitors / Condensers measuring greater than 2.5 cm in diameter or height		○
External electric cables cords	Power cord	○
Gas Discharge Lamps		-
Plastics containing Brominated Flame Retardants		-
Components and waste containing asbestos		-
Components, parts and materials containing refractory ceramic fibers		-
Components, parts and materials containing radioactive substances		-

2. Tools Required

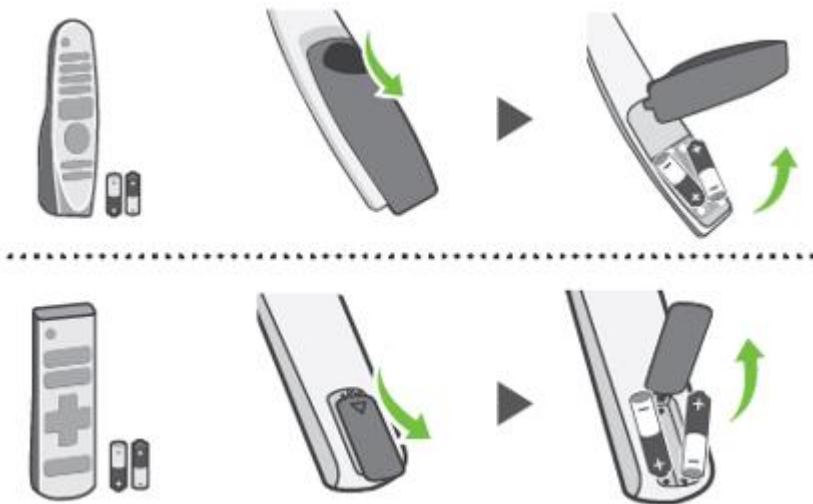
List the type that would typically be used to disassemble the product to a point where components and materials requiring selective treatment can be removed.

Tool Description	Tool information
Screw driver	
Nipper	

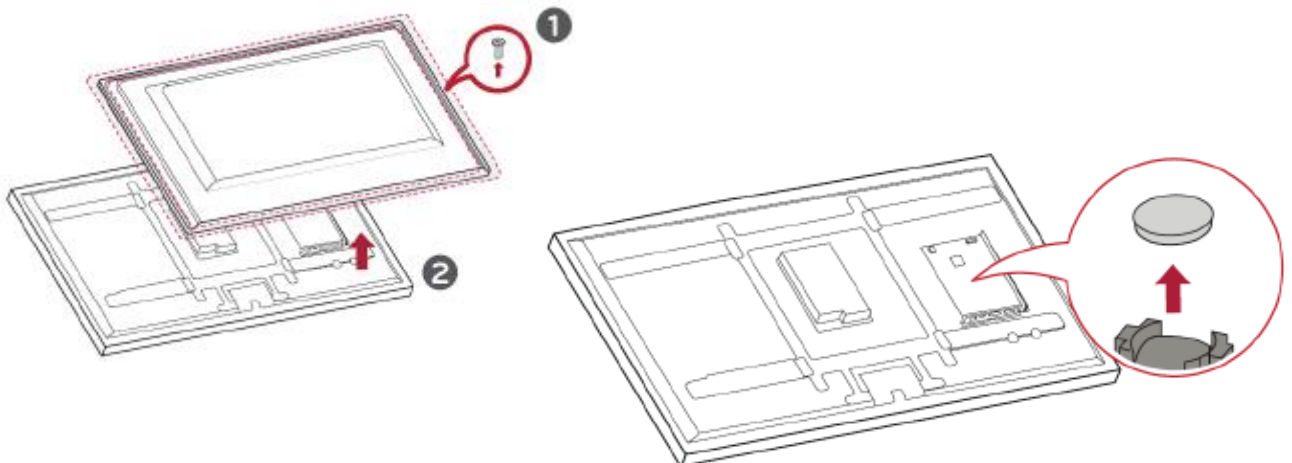
3. Product Dismantling Process

1. Batteries

Batteries can easily be removed from the remote control once the back cover of the remote control has been removed.



Batteries can easily be removed from the PCB Assembly once the back cover of product has been removed.



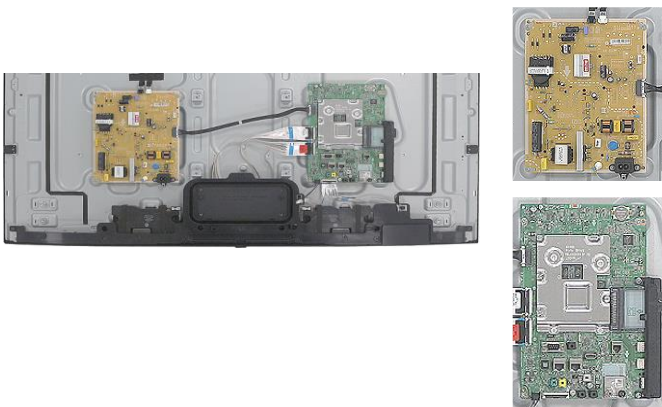
3. Product Dismantling Process

2. PCBs and LCD Module

The back cover of the display can easily be removed by hand and screw driver.



Once removed, this will expose the accessible electronic units (PCBs) which can now be easily removed with hand and screw driver.



LCD (together with their casing) is only left after all other parts like electronic units have been removed.

Remove the Bottom Cover



LCD module



Remove the speaker units.



3. Product Dismantling Process

3. Power cord

A Power cord plugged into the back of the display can easily be removed by hand and screw driver

Detached type



Attached type



or



4. Capacitors > 25 mm

Capacitors > 25 mm are located in the power supply units and can be removed by nipper

