

# Printing Specification

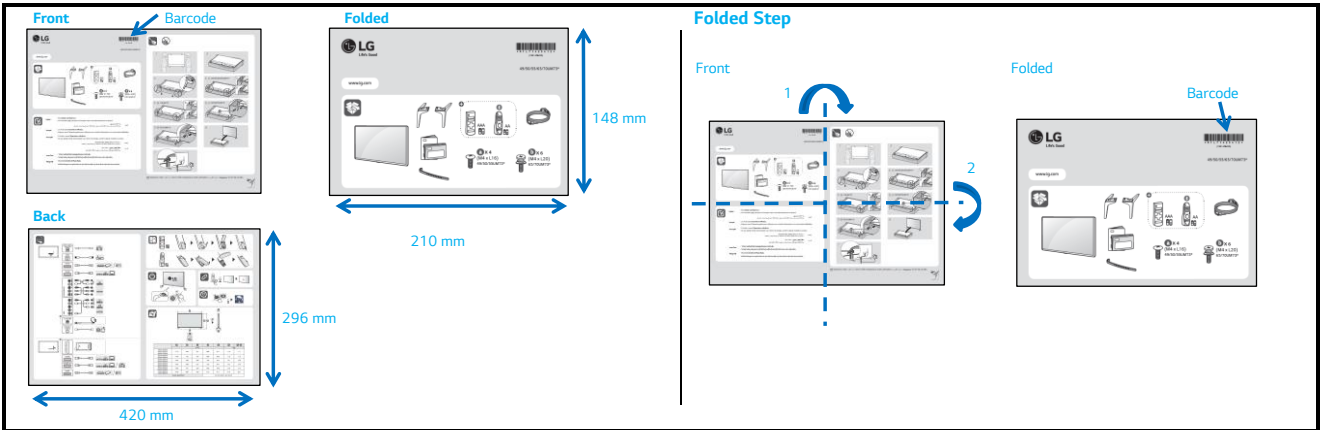
## 1. Model Description

Model/Item Name	: 70UM7300PTA	Brand name	: LG	Part number	: MFL71423414
Suffix	: MG	Product	: B2C TV	(Revision number)	: (REV00)

## 2. Printing Specification

1. Trim size (Format) (W X H)	: 420 mm x 296 mm (A3), Folded (210 mm x 148 mm)				
2. Printing colors					
• Cover	: -	• Inside	: 1 Color (Black)		
3. Stock (Paper)					
• Cover	: -	• Inside	: Uncoated, wood-free paper 80 g/m <sup>2</sup>		
4. Bindery	: One sheet (2 Folded)				
5. Number of pages	: 8				
6. Language	: ENG/FRE/POR/THA/VIE/PER/ARA (7)				

## 3. Pagination sheet



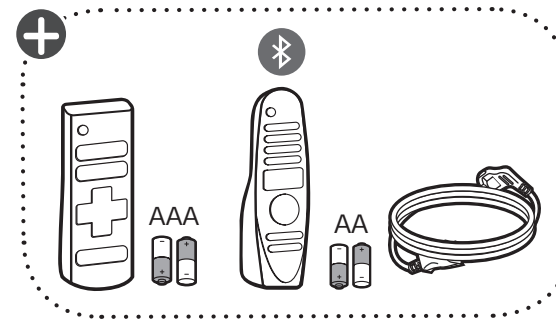
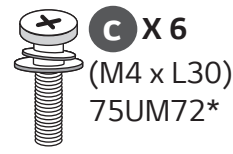
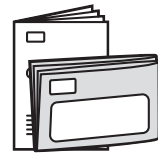
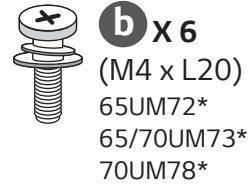
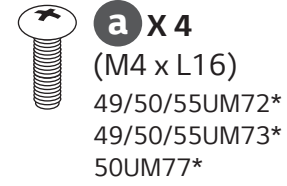
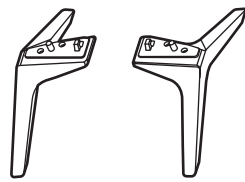
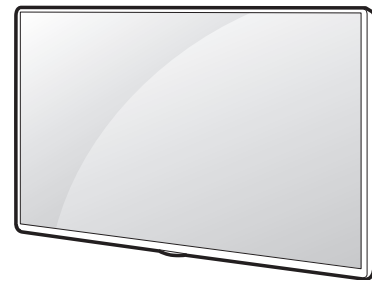
## 4. Origin Notification

<p>www.lg.com</p> <p>P/No : MFL69707613 (1708-REV03)</p> <p>Printed in Korea</p> <p>Copyright © 2017 LG Electronics Inc. All Rights Reserved.</p>	<p>[Country Name]</p> <p>LGERS/ LGEMX : Mexico</p> <p>LGEMK : Korea</p> <p>LGEMA : Poland</p> <p>LGEND : China</p> <p>Others : Each Country name.</p>
---	---

NOTE	<p>[Restriction of Hazardous Substances]</p> <p>Hazardous substances on this product should be satisfied by substance regulation of Level A-I, A-II, SVHC according to LG(52)B-5011 standard.</p> <p>Especially, Part should be followed and controlled the following specification.</p> <p>(1) Hazardous substances test report should be submitted when part certification test and first mass production.</p> <p>(2) Especially, Don't use or contain lead (Pb) and cadmium (Cd) in ink.</p>
------	---

## 5. Changes

REV04					
REV03					
REV02					
REV01					
REV00	02/12/2020	Yujin Jeong		Checked :	Taeho Bae
				Approved :	Jongok. Kim
Rev. Number	MM/DD/YYYY	Signature	ECO Number	Change Contents	



**English**

- Read **Safety and Reference**.
- For the power supply and power consumption, refer to the label attached to the product.

العربية  
• قراءة الأمان والمراجع.  
• لمعرفة المزيد حول مصدر الإمداد بالطاقة والمعايير استهلاك الطاقة، راجع الملصق الموجود على المنتج.

**Français**

- Lire le document **Sécurité et référence**.
- Reportez-vous à l'étiquette apposée sur le téléviseur pour connaître les données de consommation énergétique.

**Português**

- Consulte o manual **Segurança e referência**.
- No que respeita à fonte de alimentação e ao consumo de energia, consulte a etiqueta mostrada no produto.

فارسی  
• موارد ایمنی و مرجع را مطالعه نمایید.  
• برای اطلاع از منبع تغذیه و مصرف برق، به برچسب دستگاه مراجعه شود.

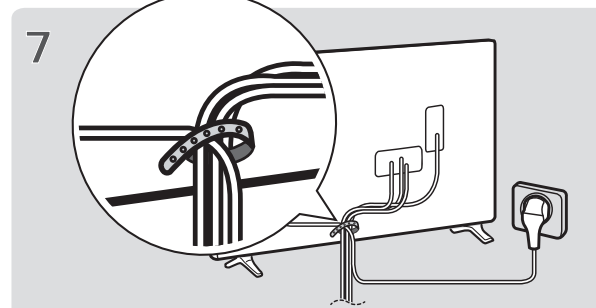
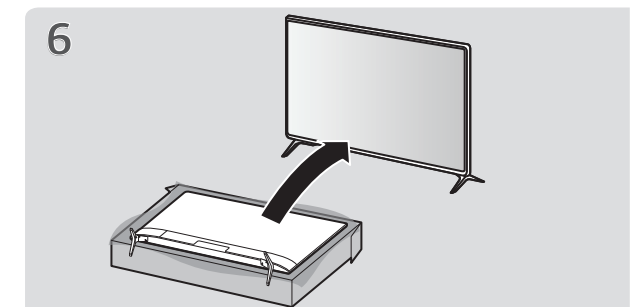
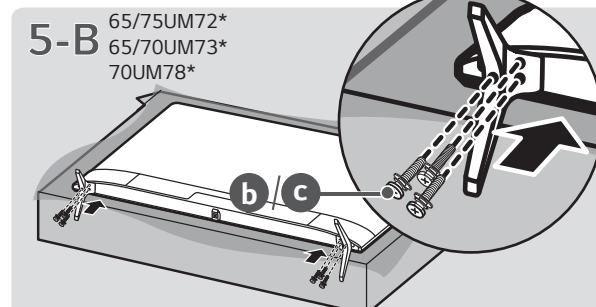
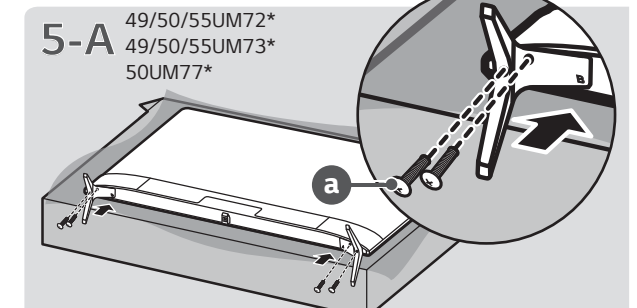
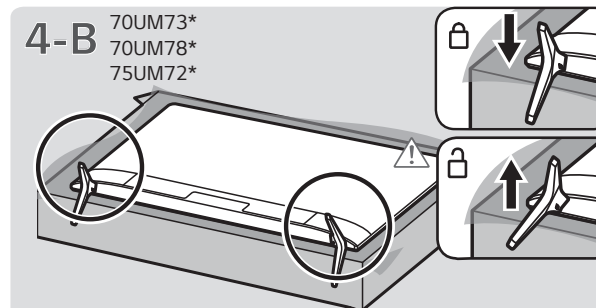
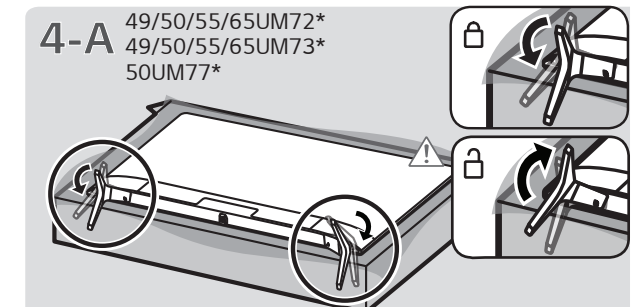
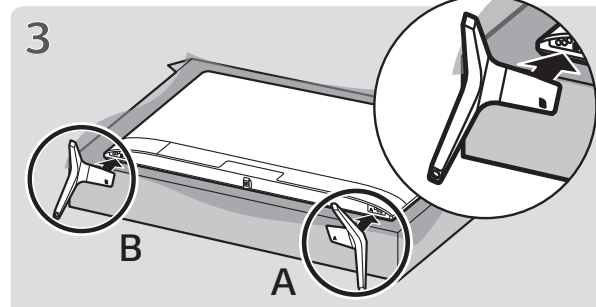
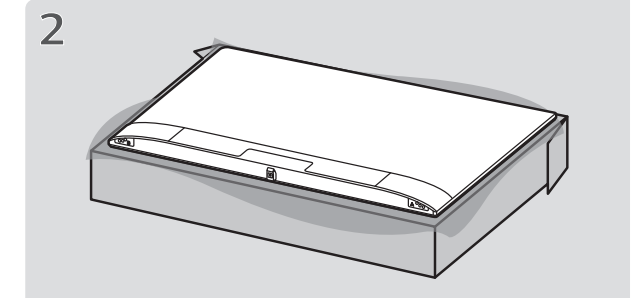
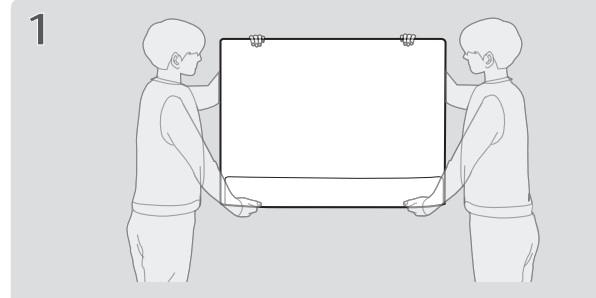
**ภาษาไทย**

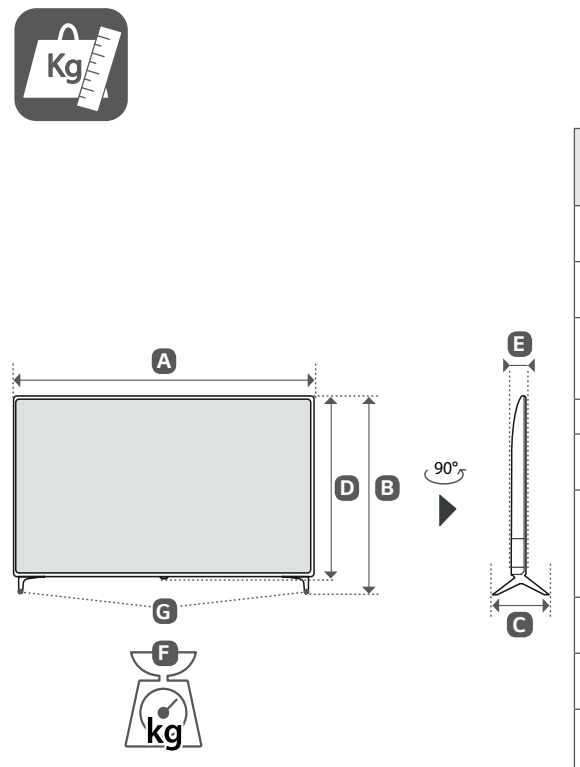
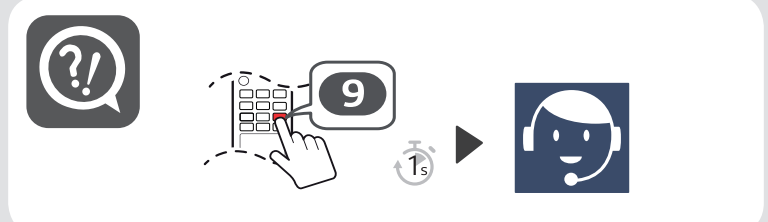
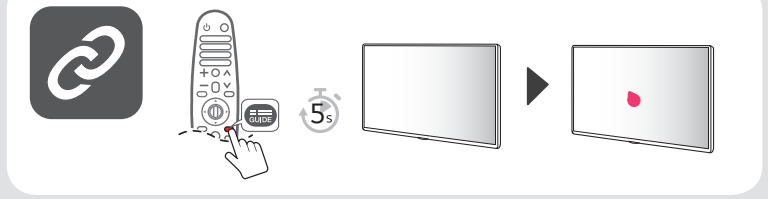
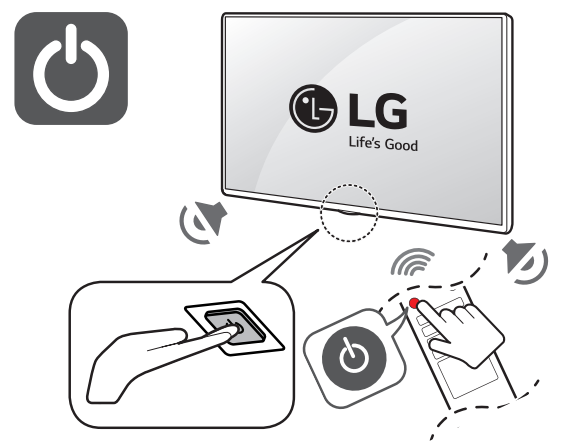
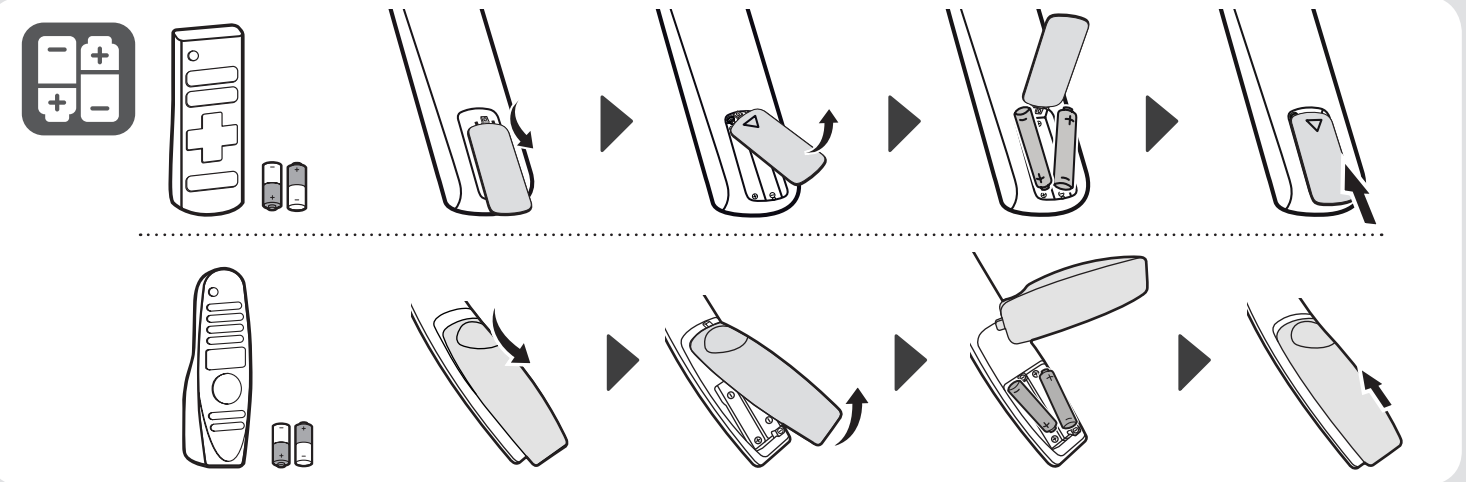
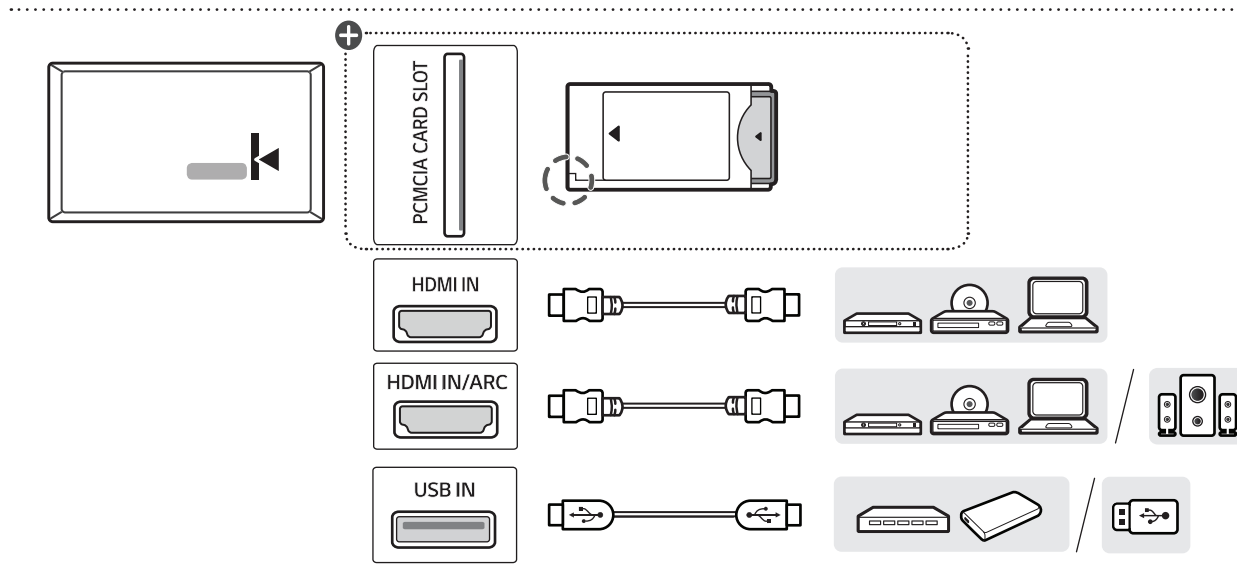
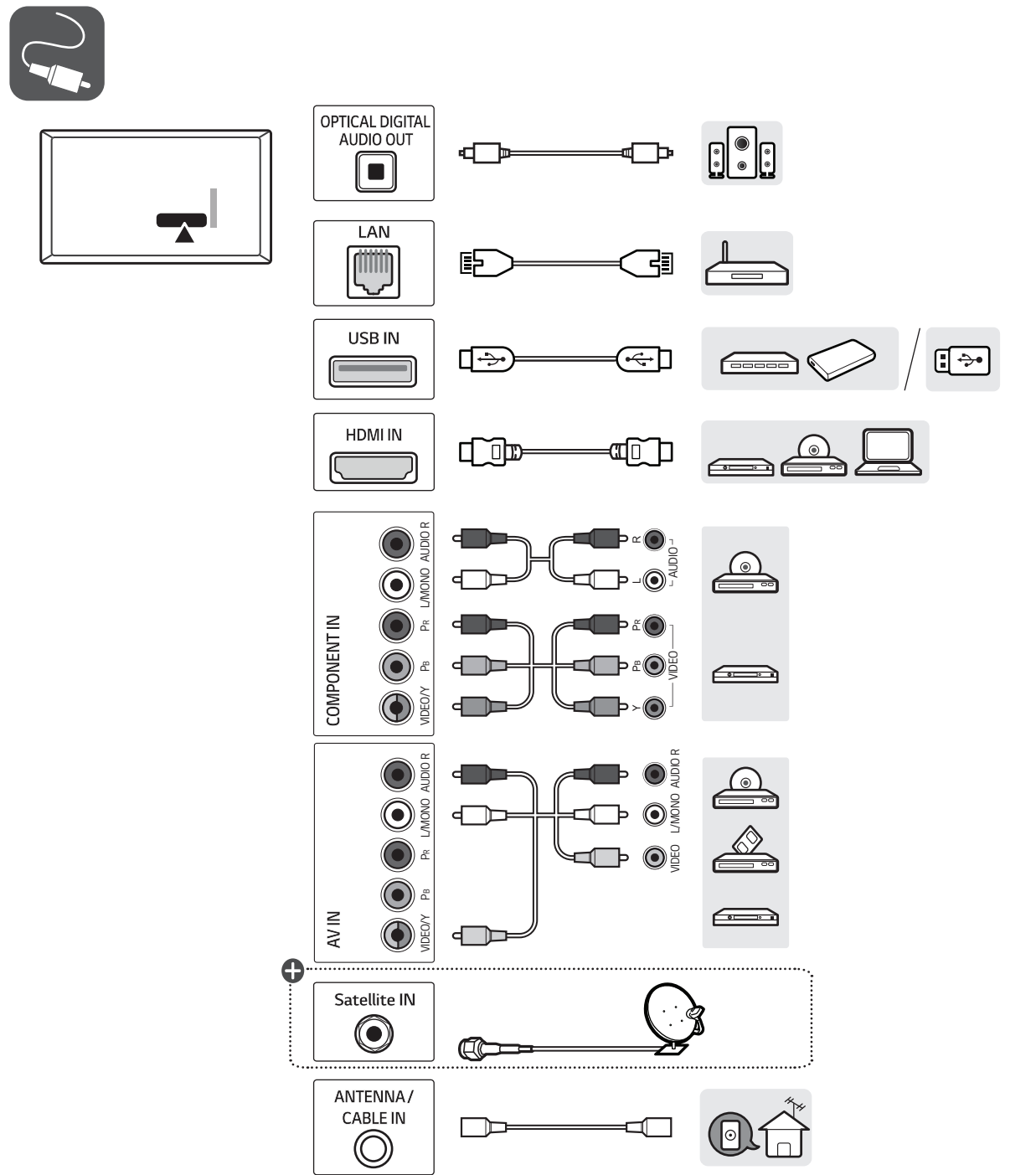
- โปรดอ่านคู่มือผู้ใช้ความปลอดภัยและการอ้างอิง
- โปรดอ้างอิงแรงดันและความถี่ไฟฟ้าของเครื่องรับโทรทัศน์ได้จากฉลากด้านหลังเครื่อง

**Tiếng Việt**

- Đọc phần **An toàn và Tham khảo**.
- Để biết thông tin về nguồn điện và mức tiêu thụ điện, hãy tham khảo nhãn dán trên sản phẩm.

**+** : Depending on model / حسب الطراز / Selon le modèle / Dependendo do modelo / به مدل بستگی دارد / ขึ้นอยู่กับรุ่น / Tùy theo mã sản phẩm





	A	B	C	D	E	F	F-G
	(mm)					(kg)	
49UM7300PTA 49UM7340PVA	1110	709	231	650	81.1	11.3	11.1
49UM7310PVD 49UM7290PTD	1110	705	235	650	81.1	11.3	11.1
50UM7300PTA 50UM7340PVA 50UM7700PTA	1130	722	231	663	86.3	11.5	11.3
50UM7290PTD	1130	719	235	663	86.3	11.4	11.3
55UM7300PTA 55UM7340PVA	1244	786	231	726	87.1	14.5	14.3
55UM7350PTD 55UM7300PTD 55UM7290PTD 55UM7250PTD	1244	783	235	726	87.1	14.4	14.3
65UM7300PTA 65UM7340PVA	1463	914	269	850	87.8	21.6	21.3
65UM7290PTD 65UM7250PTD	1463	910	255	850	87.8	21.5	21.3
70UM7300PTA 70UM7380PVA 70UM7880PTA	1578	984	299	913	91.1	31.4	30.7
75UM7250PTB	1693	1048	345	978	88.8	35.4	34.6

Power requirement / متطلبات الطاقة / Alimentation /  
 Requisito de alimentação /  
 60 / 50 ~ 240-100 فولت / 60 هرتز  
 50 / 60 ~ 240-100 فولت / 60 هرتز  
 50 / 60 ~ 240-100 فولت / 60 هرتز  
 50 / 60 ~ 240-100 فولت / 60 هرتز