

## Specifications

LW641H (EU/CIS)

		32	43	
DISPLAY	Type	Slim Direct		
	Resolution	1,920 x 1,080 (FHD)		
	Brightness	300cd/m <sup>2</sup>		
	Dynamic Contrast Ratio	1,000,000:1		
	Static Contrast Ratio	1,200:1		
	Viewing Angle Degree	178° / 178°		
BROADCASTING SYSTEM	Analog	PAL/SECAM		
	Digital	DVB-T2/C/S2		
VIDEO	Triple XD Engine	•		
	Real Cinema 24p (3.3 Pull down)	•		
	Aspect Ratio	6 modes (16:9, Original, 4:3, Vertical Zoom, All-Direction Zoom, Just Scan)		
AUDIO	Audio Output / Speaker System	10W + 10W / 2.0 ch		
	Sound Mode	6 modes (Standard, Cinema, Clear Voice III, Sports, Music, Game)		
	Clear Voice	•		
GENERAL FEATURES	Type	Pro:Centric SMART		
	Pro:Centric Application	PCA 3.7 or below		
	RF (1/2 Tuner)	1 Tuner		
	HCAP (SDK)	GEM / Flash / HTML5		
	Smart Features	Commercial Smart Home, Web Browser, Magic Remote Option, Soft AP		
	Management	Remote Diagnostics / EZ-Manager (for Initial Configuration)		
	Interactivity	HTNG / HDMI-CEC		
	Connectivity	WiDi, Smart Mirroring, WiFi Direct, DIAL, Bluetooth Sound Sync.		
	RJP Compatibility	LG / Teleadapt (RS232C), Teleadapt / Guestlink (HDMI CEC)		
	Advanced Setting Option	Auto Off / Auto Sleep, Smart Energy Saving, Motion Eye Care		
	Anti-theft System	Kensington Lock, Credenza / Security Screw Hole, Lock Down Plate, Commercial Swivel Stand		
COMMERCIAL FEATURES	Welcome Screen, One Channel Map, Hotel Mode, Lock Mode, IR Out, USB Cloning, Multi IR Code, Instant On, TV Link Interactive, External Speaker Out, SNMP			
INTERFACE	Side	HDMI In, USB 2.0 (2), CI Slot		
	Rear	RF In (2), AV In, HDMI/HDCP Input, RS-232C, Headphone Out, LAN Port, External Speaker Out (2)		
CABINET (Unit : mm)	Bezel Width (L/R, U, B) : on bezel based	14.1, 13.6, 19.1	12.1, 12.1, 15.1	
	Bezel Width (L/R, U, B) : off bezel based	11.6, 11.1, 16.6	9.8, 9.8, 12.8	
	Vesa	200 X 200		
	WxHxD / weight (w/o stand)	733 x 436 x 72.2 (SPK 76.3) / 5.32kg	974 x 571 x 70.3 (SPK 79.4) / 9.2kg	
	WxHxD / weight (with stand)	733 x 490 x 282 / 8.17kg	974 x 619 x 325 / 12.6kg	
	WxHxD (Carton)	812 x 520 x 190	1,060 x 660 x 152	
POWER	Voltage, HZ	100-240V, 50 / 60 Hz		
	Max (Watts)	73.1	103.3	
	Typical (Watts)	59.6	77.2	
	Stand-by (Watts)	0.3↓		
	Energy Saving (Min)	47.7	61.8	
	Energy Saving (Max)	17.9	23.2	
STANDARD APPROVAL	Safety	CB, CU TR		
	Environment	CE		
	Etc.	ROHS, ErP, Eco Flower (EU Only)		
	ErP Class	ErP Class	A+	A++
		On Power Consumption	28W	34W
	Eco	Luminance Ratio (%)	65	
		Mercury Content (mg)	0	
		Presence of Lead	Yes	
		Average Annual Consumption	41kwh	50kwh

Download LG Commercial Display Mobile App



Learn more [www.lg.com/b2b](http://www.lg.com/b2b) or [www.lgcommercial.com](http://www.lgcommercial.com)

YouTube [youtube.com/c/LGCommercialDisplay](https://www.youtube.com/c/LGCommercialDisplay)

All screen images are simulated. Dimension and weights are approximate. Design, features and specifications subject to change without notice. © Copyright 2016 LG Electronics Inc. All Rights Reserved. Pro:Centric, the "LG" logo, XD Engine are registered trademarks or trademarks of LG Electronics Inc. Pro:Centric is a registered trademark of Zenith Electronics LLC. All other trademarks or registered trademarks are the property of their respective owners.



## Pro:Centric® SMART

LW641H (EU/CIS)

### An Affordable Smart Solution With Commercial Swivel Stand

Deliver intuitive and entertaining experience to guests with LG's interactive solution, Pro:Centric SMART, especially designed for the hospitality environment. The LW641H series enable guests to connect portable devices and enjoy their own content through media sharing functions, and provide Commercial swivel stand which improves comfort and security by preventing stealing.



### LW641H

- Pro:Centric® Smart
- webOS 3.0
- Swivel Stand
- Bluetooth Sound Sync
- External Speaker Out

### screen size

32", 43"

### Key Features



#### Smart Customization

Create your own solution along with LG's smart customization tools and content management software. With the tailored solution, hotel can elevate their brand to new levels.

#### Features

- Pro:Centric Smart SDK (HTML5, Java, Flash)
- Pre-loaded Apps



#### Smart Connectivity

Cross display boundaries freely and without hassle. With LG Smart Share, mirroring and content sharing between TV and other smart devices are made incredibly easy and user-friendly.

#### Features

- WiDi (Intel Wireless Display)
- Smart Share (Smart Mirroring), WiFi Direct, DIAL, Bluetooth Sound Sync



#### Intuitive Experience

The webOS platform provides easy and convenient tools to create contents. Also, its intuitive user interface and fast response time offer incredible user experiences.

#### Features

- webOS 3.0 & Magic Remote (Ready)

### Hospitality Features



#### Commercial Grade Stand

Expand the range of comfort for guests with a commercial grade stand. This allows guests to watch a TV from any angle. Also, for security purposes, the stand may be secured to its table.



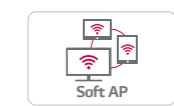
#### External Speaker Out

The external speaker out function lets users enjoy the external speaker in a separate place such as the bathroom.



#### Instant On

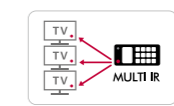
Instant on function's high speed loading system saves and enables users to enjoy the contents immediately when they first turn on the TV.



#### Soft AP

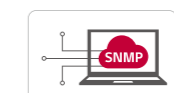
Soft AP means Software enabled Access Point. This "virtual" Wi-Fi feature executes by software working on the device to create a wireless hotspot.

- \* Soft AP should be set in installation menu after TV is on.
- \* Miracast may not be operated at the same time.



#### Multi IR

Multi IR function eliminate the remote control signal interference between TVs in multiple dwelling beds.



#### SNMP

SNMP (Simple Network Management Protocol) ensures convenient network management for SI and business managers.



# An Affordable Smart Solution With UHD Content Delivery

## Pro:Centric® Smart LW641H

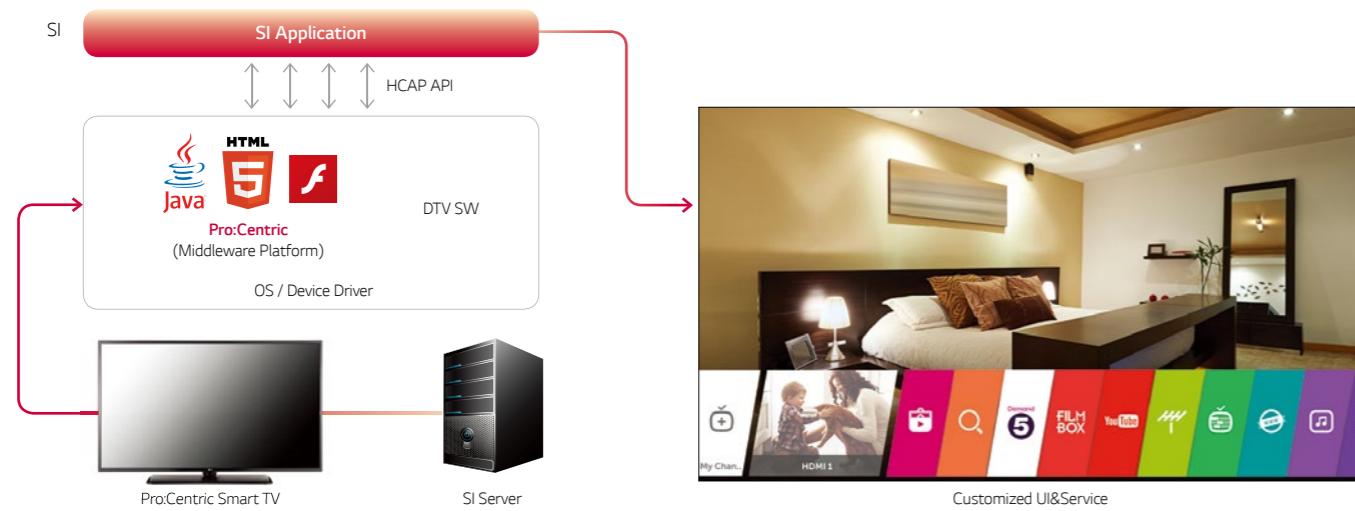
Pro:Centric® SMART

EU/CIS

Pro: Centric Smart is an elaborate and smart mode of control and customization for commercial televisions. With the customizable tools including HTML5, Java, and Flash, users can optimize the commercial TVs according to their purposes with IP-based programs. This expansion of control provides premium hotel services to guests without the need for a set-top box. Additionally, as the Pro:Centric Smart models are compatible with Pro:Centric Server Application, you can remotely manage TVs in a centralized coaxial infrastructure you already have.

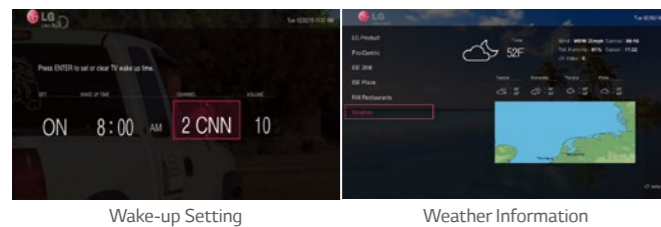
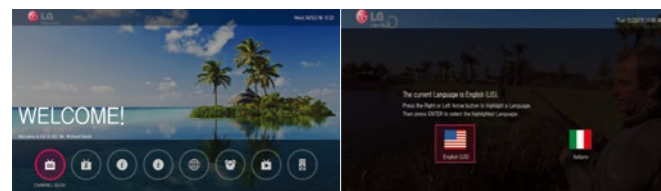
### Pro:Centric Smart Application Platform

LG Pro:Centric SMART offers extended customizable tools; HTML5, Java and Flash. With these, the partners can optimize Commercial TVs to edit and develop their own enhanced service design. Also, it gives visual impact on and delivers messages to customers as users intend.



### Pro:Centric Server Application

You can now differentiate your hotel with our customizable templates and pages which can be specialized for your property. Pro:Centric® provides you a solution that is easily customizable for your business.



#### • Various Features

PCA serves the convenience of the guest through a Wake-up setting, Weather Information, Map Service, and much more functions that you can choose.

#### • Customizable Template & Page

Choose an alternative look & feel template based on your reference, and edit multiple sections with 40 pages of billboards by yourself with the web based tool.

### Smart Connectivity

#### Smart Share

Smart Share allows users to share content more easily and quickly. It also searches for the content they want in order to share it more easily and accurately, thereby simplifying the process of sharing between various devices.



#### Bluetooth Sound Sync (Bluetooth 3.0)

Bluetooth Sound Sync enables users to listen to music on a mobile device through TV speakers via Bluetooth connection.

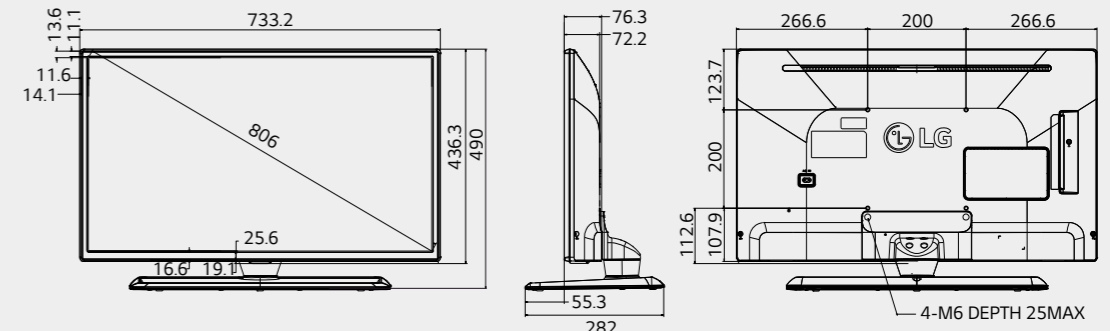
\*Support devices for Bluetooth Sound Sync : Android (above v4.4 KitKat) / iOS based Mobile Device



### Dimensions (mm, with stand)

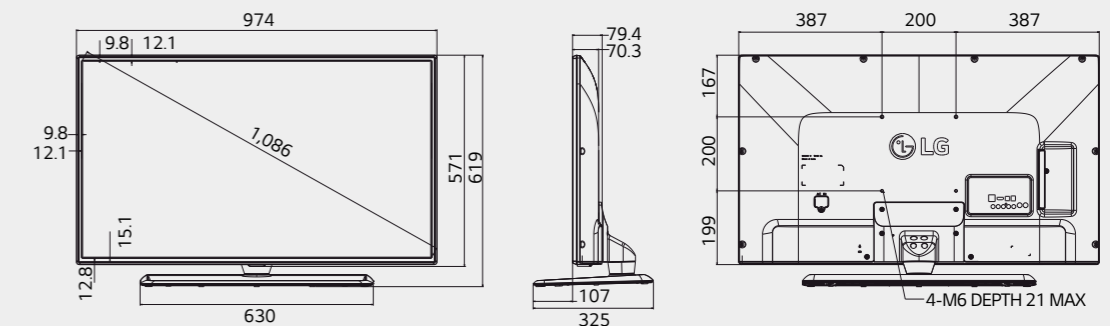
32"

733.2 x 490 x 282  
8.2kg  
\*Swivel



43"

974 x 619 x 325  
12.6kg  
\*Swivel



### Connectivity

- 1 H/P OUT
- 2 LAN
- 3 HDMI IN 1
- 4 VOLUME CONTROL
- 5 STEREO
- 6 RS-232C IN
- 7 AV IN
- 8 LNB Satellite IN
- 9 ANTENNA/CABLE IN
- 10 HDMI IN 2
- 11 USB IN 1
- 12 USB IN 2

