

Essential Commercial TV Functionality

The LG 340C TV has been specifically designed for various business environments. With simple user-friendly interfaces and superb images and video, the LV340C series helps drive messages and images between businesses and their target audiences. Also, the LV340C series supports WOL (Wake on LAN) and SuperSign™ C, helping management, engineers and IT departments remotely manage and efficiently control the LV340C.



LV340C

- Public Display Mode
- USB Cloning
- USB Auto Playback +
- RS-232C
- WOL(Wake on LAN)
- Crestron Connected Certification

screen size

- 32" (31.5" Diagonal),
- 43" (42.5" Diagonal),
- 49" (48.5" Diagonal),
- 55" (54.9" Diagonal)

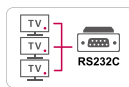


Key Features



Public Display Mode

From channel selection to volume level, you can control the TV settings in public areas. Public Display Mode also enables you to restore default settings, as required, on the TVs.



RS-232C Control

Via the TV's RS-232C port, you can remotely control power and volume settings simultaneously.



WOL (Wake on LAN)

WOL (Wake on LAN) helps you remotely turn on TVs over the internet. Connect TVs and a PC in the same network, and send Magic Packet program to the MAC addresses of registered TVs. Then, it will wake up the TVs via LAN port.

Simple & Effective Maintenance



USB Cloning

Clone your LV340C's with efficiency and ease. The USB Cloning feature allows you to simply copy the TV settings to all the LV340C's using a USB memory device (sold separately).



Lock Mode

Lock Mode blocks external input signals with non-compliant content. This is a useful feature for preventing misuse of TVs in various facilities or public spaces.



Self Diagnosis

Self Diagnosis enables engineers and IT to analyze the data and identify technical issues quickly and easily through a USB memory device.

Convenience & Entertainment



USB Auto Playback+

Create a media playlist of your choosing (video, music, and/or images) via USB Auto Playback+. Save it to a USB memory device, and then simply connect the USB memory device to the TV to stream your playlist sequentially.



SuperSign™ C

With SuperSign C, LG's signage management software, you can control and remotely monitor via the LAN port



Welcome Screen (Splash Image)

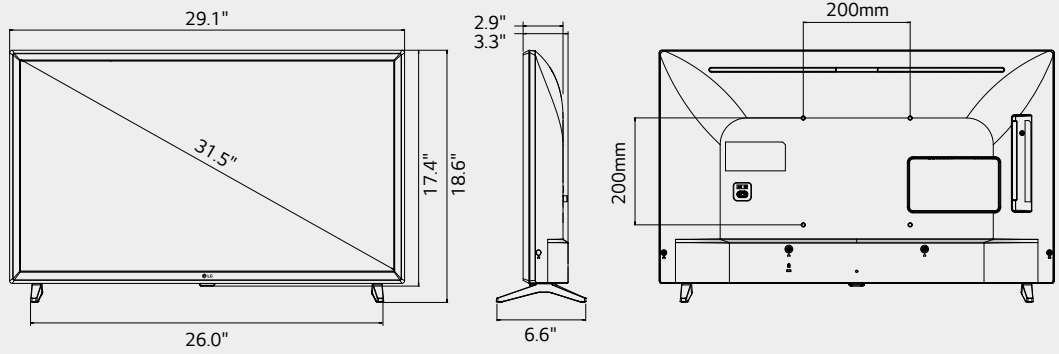
Display a customized greeting message with your business name/logo on the TV when it is turned on.

Essential Commercial TV Functionality

Dimensions

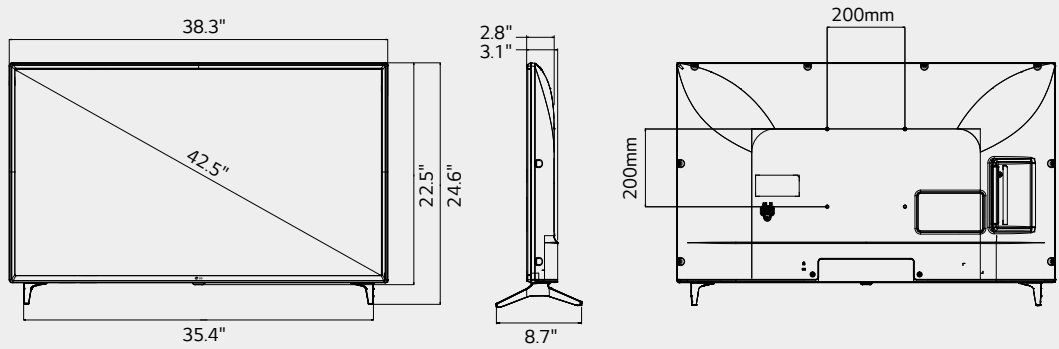
32"

29.1" x 18.6" x 6.6"
10.8lb



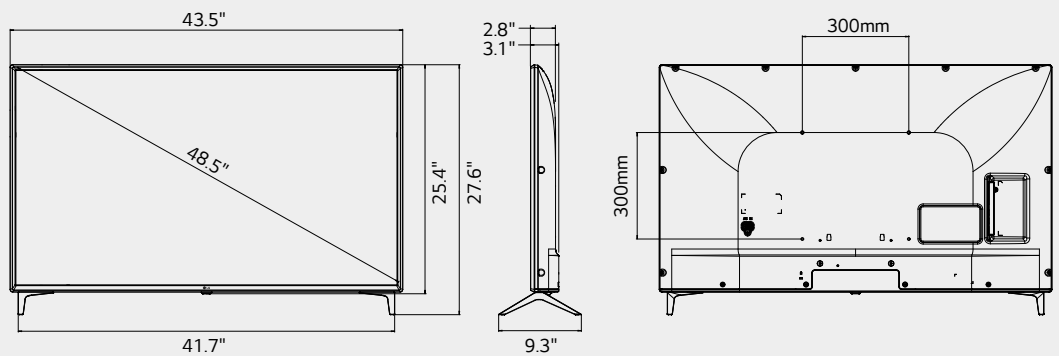
43"

38.3" x 24.6" x 8.7"
20.5lb



49"

43.6" x 27.6" x 9.3"
25.2lb



55"

48.9" x 30.5" x 8.5"
36.6lb

